



US00D930976S

(12) **United States Design Patent** (10) **Patent No.:** **US D930,976 S**  
**Andersson et al.** (45) **Date of Patent:** **\*\* Sep. 21, 2021**

(54) **PART OF A BABY CARRIER**  
(71) Applicant: **BabyBjörn AB**, Solna (SE)  
(72) Inventors: **Henrik Andersson**, Reftete (SE); **Jonas Dolk**, Dalarö (SE); **Mårten Andréén**, Spånga (SE); **Ulrika Vejbrink**, Hägersten (SE); **David Karpathakis Thalén**, Bromma (SE); **Lisen Elmberg**, Stockholm (SE)

(73) Assignee: **BabyBjörn AB**, Solna (SE)  
(\*\*) Term: **15 Years**

(21) Appl. No.: **29/648,493**  
(22) Filed: **May 22, 2018**

(30) **Foreign Application Priority Data**  
Dec. 14, 2017 (EM) ..... 004546992-0002  
(51) **LOC (13) Cl.** ..... **03-99**  
(52) **U.S. Cl.**  
USPC ..... **D3/214**  
(58) **Field of Classification Search**  
USPC ..... D3/213, 214, 215, 216  
CPC ..... A47D 13/00; A47D 13/02; A47D 13/025;  
A47D 13/046; A47D 15/00  
See application file for complete search history.

(56) **References Cited**  
U.S. PATENT DOCUMENTS  
D507,102 S \* 7/2005 Bergkvist ..... A47D 13/025  
D3/214  
D611,699 S \* 3/2010 Lundh ..... D3/214  
D615,750 S \* 5/2010 Jones ..... D3/214  
D623,401 S \* 9/2010 Bergkvist ..... D3/213  
D623,402 S \* 9/2010 Bergkvist ..... D3/213  
D642,375 S \* 8/2011 Zack ..... D3/214  
D647,693 S \* 11/2011 Olegard ..... D3/214  
D649,345 S \* 11/2011 Bergkvist ..... D3/214  
D655,495 S \* 3/2012 Sauer ..... D3/214

D664,351 S \* 7/2012 Bergkvist ..... D3/214  
D683,654 S \* 6/2013 Andren ..... D11/216  
8,490,844 B2 \* 7/2013 Favorito ..... A47D 13/025  
224/160  
D692,227 S \* 10/2013 Andren ..... D3/213  
8,579,168 B2 \* 11/2013 Zack ..... A47D 13/025  
224/160  
8,627,988 B2 \* 1/2014 Bergkvist ..... A47D 13/025  
224/160  
8,752,739 B2 \* 6/2014 Bergkvist ..... A47D 13/025  
224/160  
D711,090 S \* 8/2014 Schroder ..... D3/213  
(Continued)

**OTHER PUBLICATIONS**

BabyBjörn Baby Carrier One, amazon.com, [https://www.amazon.com/BABYBJ%C3%96RN-Baby-Carrier-2019-Silver/dp/B07HPW8NVB?ref\\_ast\\_sto\\_dp&th=1](https://www.amazon.com/BABYBJ%C3%96RN-Baby-Carrier-2019-Silver/dp/B07HPW8NVB?ref_ast_sto_dp&th=1) (Year: 2019).\*

*Primary Examiner* — Steven J Czyz  
(74) *Attorney, Agent, or Firm* — Studebaker & Brackett PC

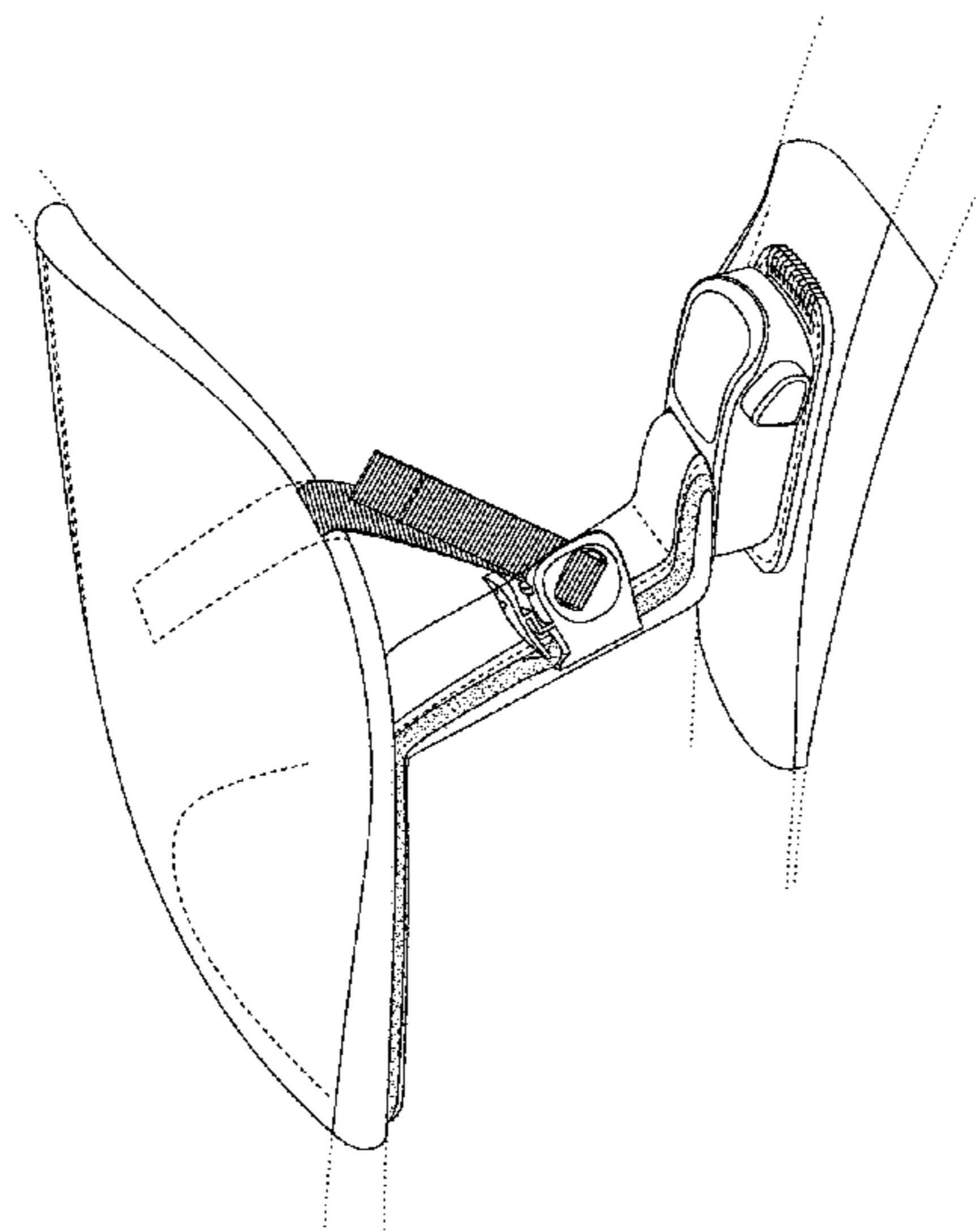
(57) **CLAIM**

The ornamental design for a part of a baby carrier, as shown and described.

**DESCRIPTION**

FIG. 1 is a front perspective view of a part of a baby carrier showing our new design, FIG. 2 is a right side view thereof, FIG. 3 is a left side view thereof, FIG. 4 is a front view thereof, FIG. 5 is a rear view thereof, FIG. 6 is a top view thereof; and, FIG. 7 is a bottom view thereof. The dotted lines located adjacent to the buckle are for illustrative purposes only and form no part of the claimed design. All other broken lines located within solid outlines represent stitching which is being claimed.

**1 Claim, 7 Drawing Sheets**



(56)

**References Cited**

## U.S. PATENT DOCUMENTS

D712,134	S *	9/2014	Gunter	.....	D3/214
D714,045	S *	9/2014	Stave	.....	D3/213
D733,419	S *	7/2015	Wikner	.....	D3/214
D753,385	S *	4/2016	Stave	.....	D3/213
9,675,141	B2 *	6/2017	Wikner	.....	A44B 11/2515
D796,834	S *	9/2017	Pos	.....	D3/213
9,788,664	B2 *	10/2017	Andren	.....	A47D 13/025
D803,549	S *	11/2017	Warfaa	.....	D3/214
D807,025	S *	1/2018	Elmberg	.....	D3/214
9,949,575	B2 *	4/2018	Pond	.....	A47D 13/025
10,076,194	B2 *	9/2018	Wikner	.....	A47D 13/025
D851,916	S *	6/2019	Andersson	.....	D3/214
10,433,656	B2 *	10/2019	Lundh	.....	A47D 13/025
10,441,091	B2 *	10/2019	Salazar	.....	A47D 13/025
D886,667	S *	6/2020	Andersson	.....	D11/216
10,702,074	B2 *	7/2020	Najafi	.....	A47D 15/006
10,772,411	B2 *	9/2020	Kippen	.....	A45F 3/10
10,820,721	B2 *	11/2020	Lindeman	.....	A47D 13/025
D913,683	S *	3/2021	Bjorkenkvist	.....	D3/213
2005/0184114	A1 *	8/2005	Hoff	.....	A47D 13/025
					224/160
2010/0072236	A1 *	3/2010	Parness	.....	A47D 13/025
					224/161
2012/0061429	A1 *	3/2012	Sauer	.....	A47D 13/025
					224/160
2012/0187161	A1 *	7/2012	Bergkvist	.....	A47D 13/025
					224/160
2012/0187162	A1 *	7/2012	Bergkvist	.....	A47D 13/025
					224/160
2016/0150893	A1 *	6/2016	Salazar	.....	A47D 13/025
					224/160
2016/0227940	A1 *	8/2016	Wikner	.....	A47D 13/025

\* cited by examiner

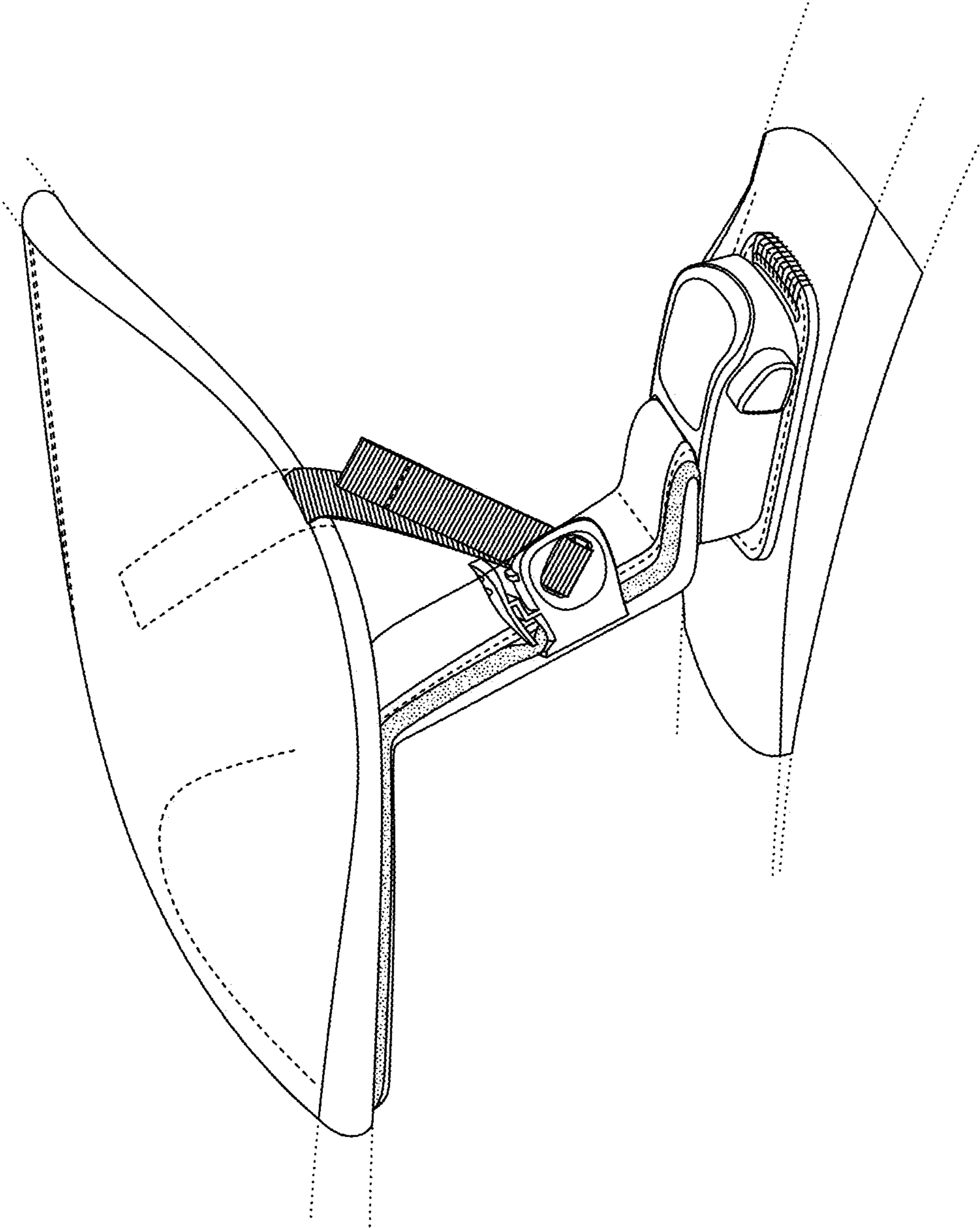


FIG. 1

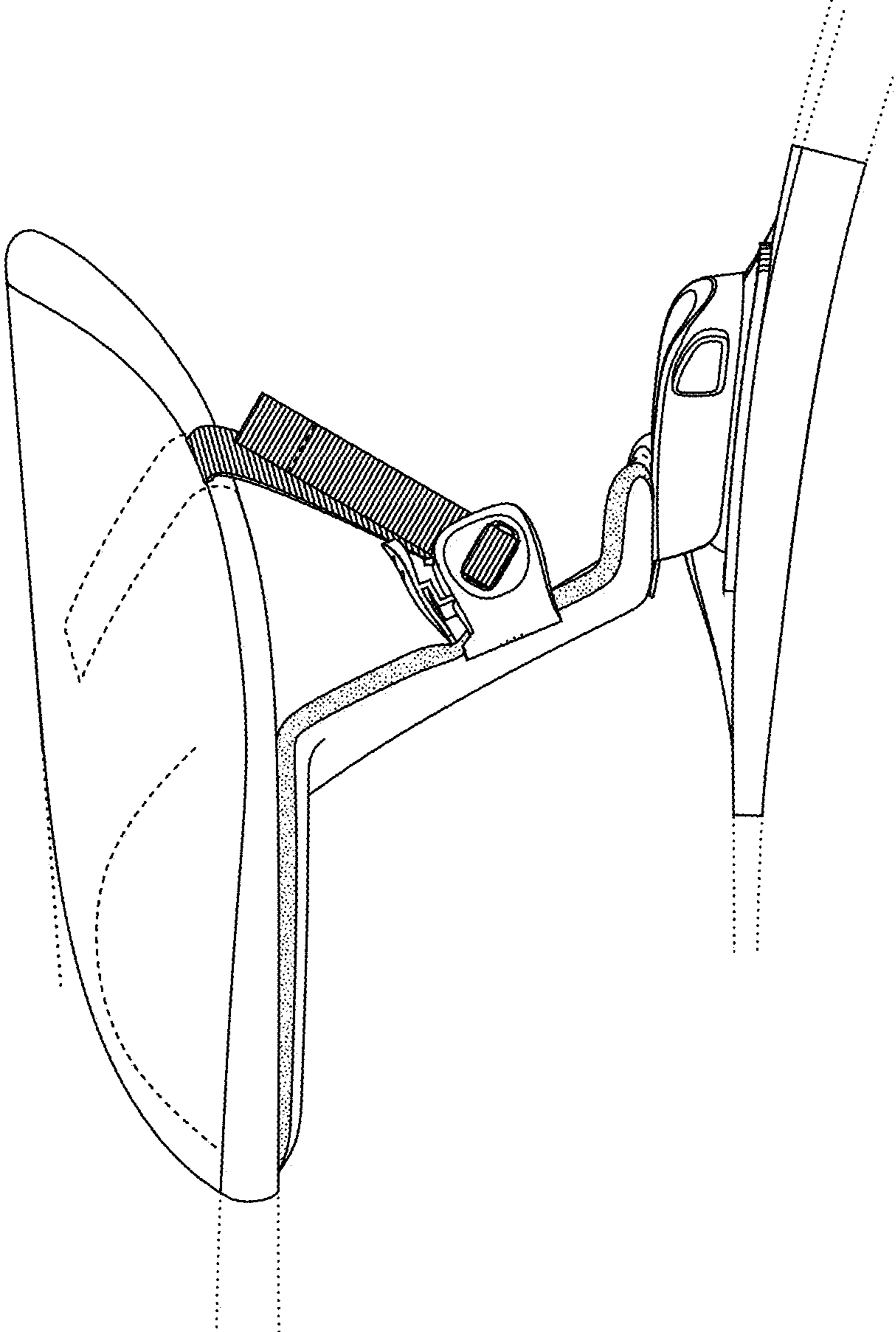


FIG. 2

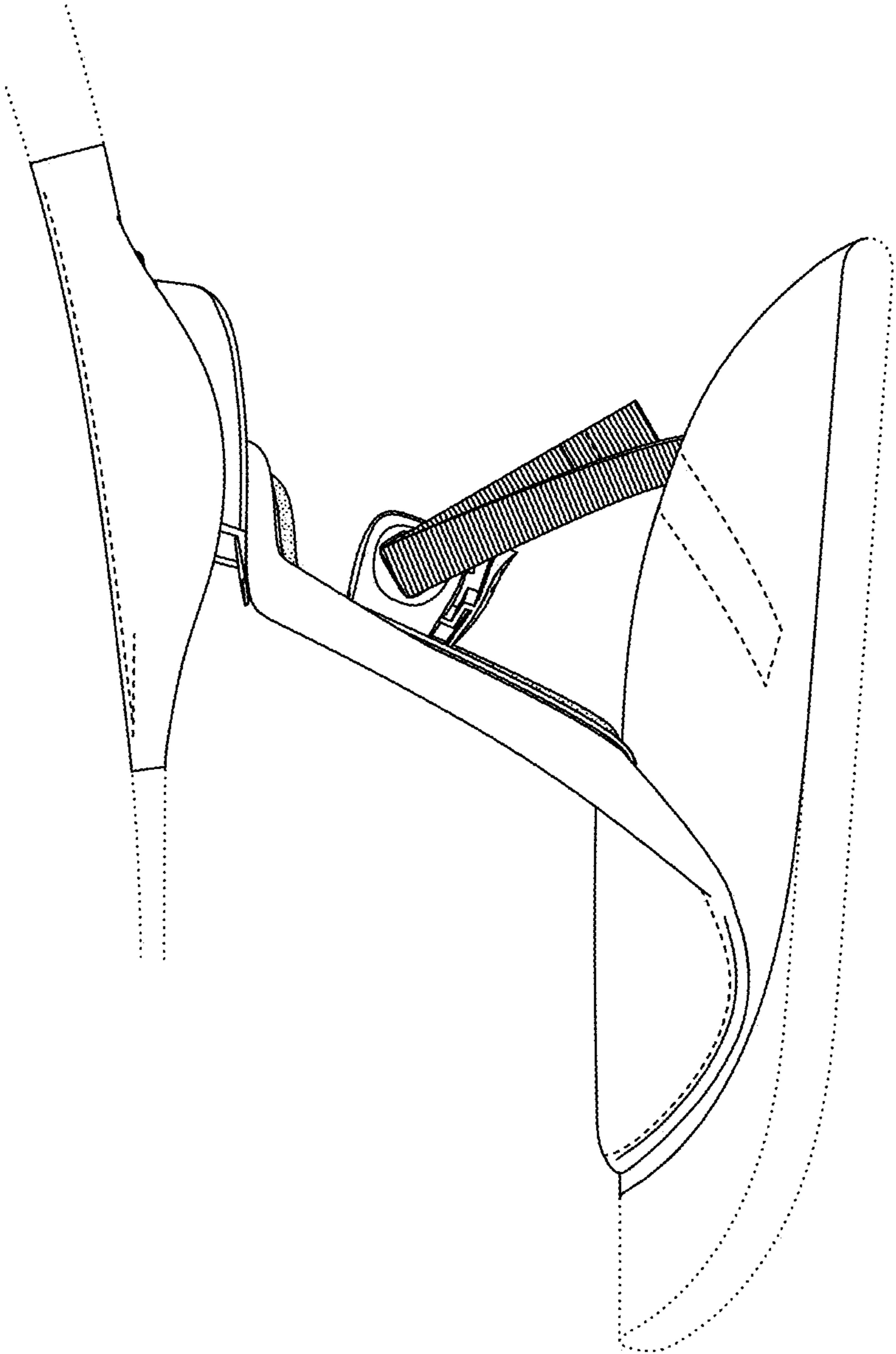


FIG. 3

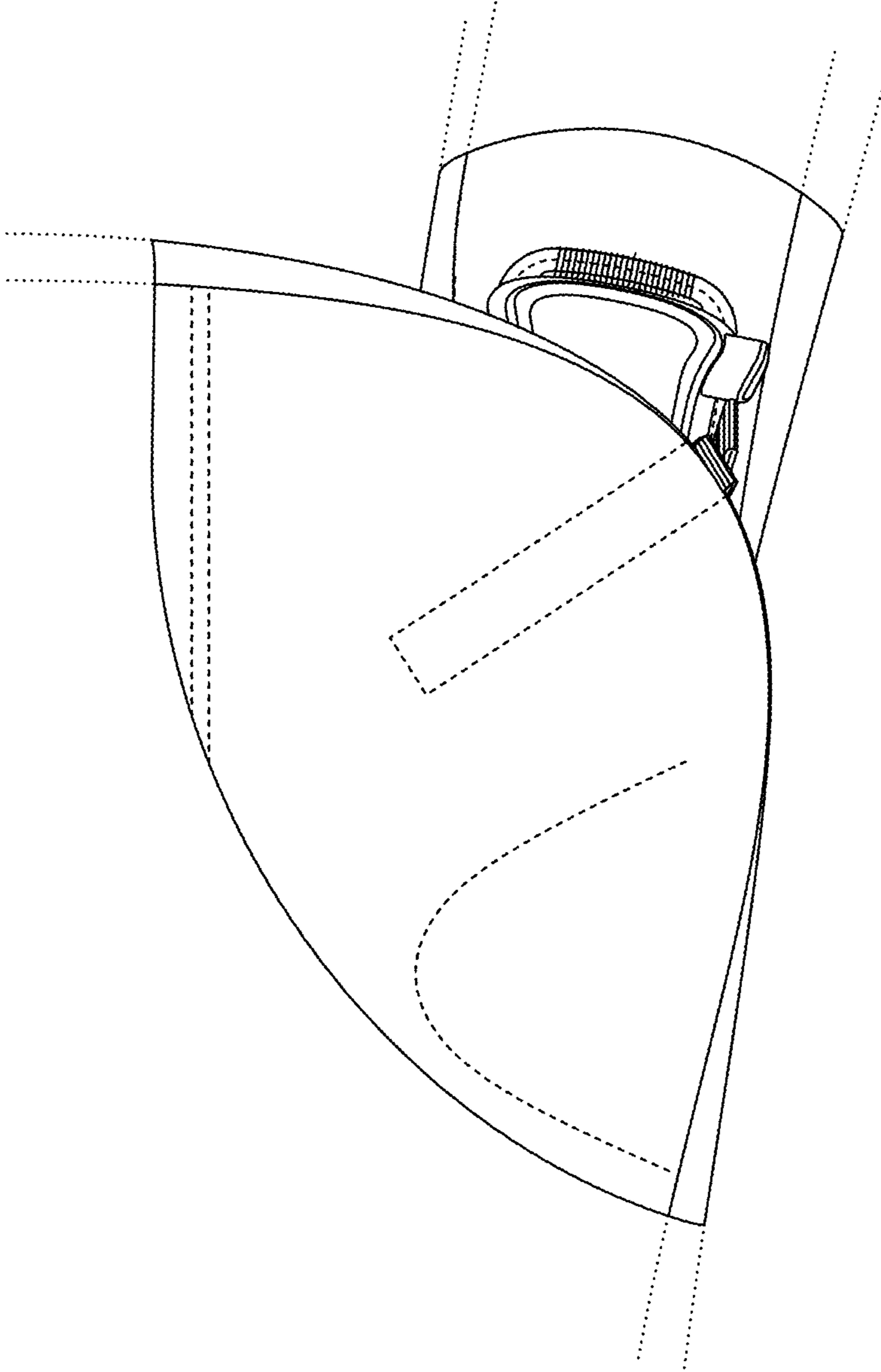


FIG. 4

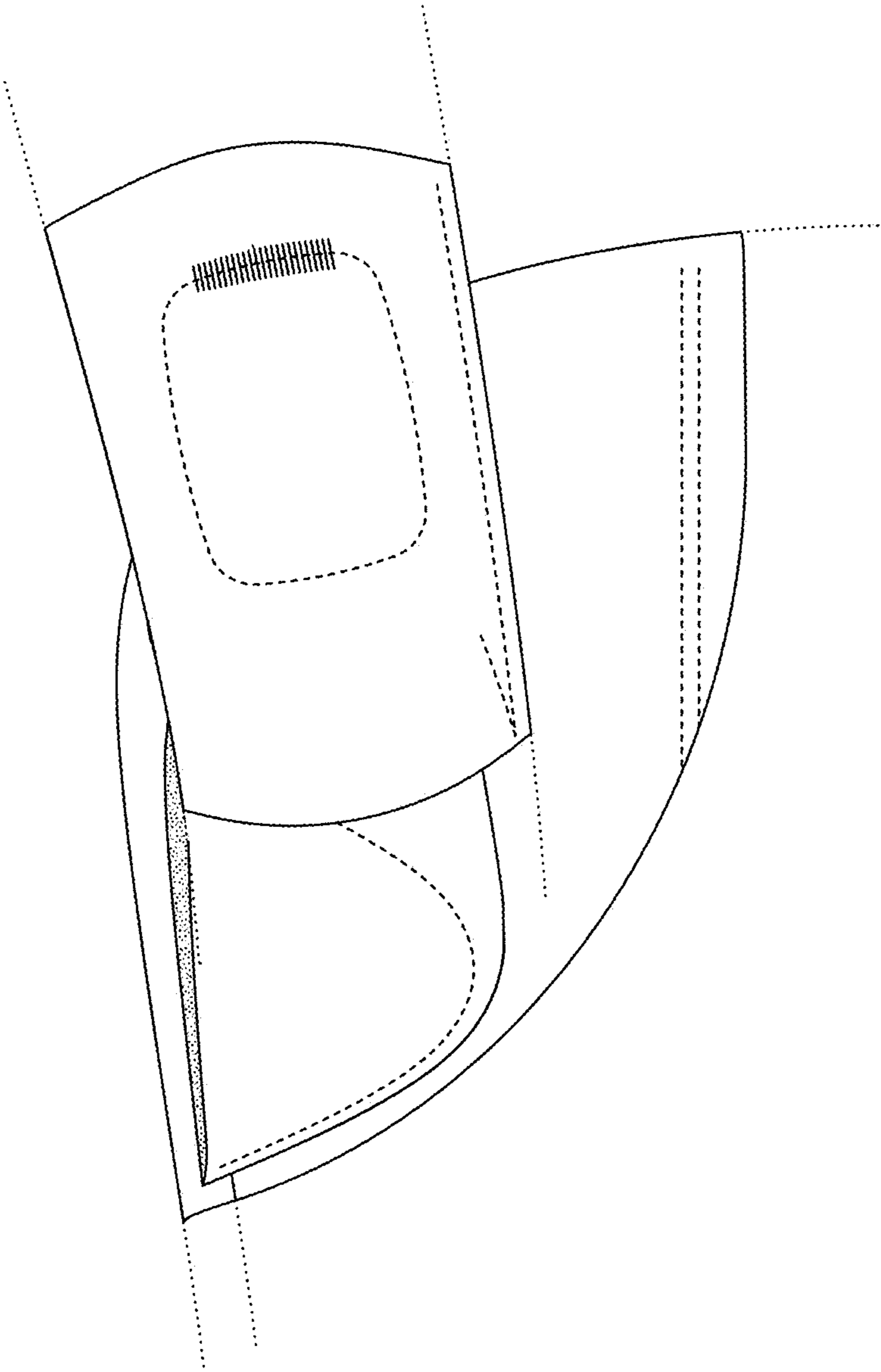


FIG. 5

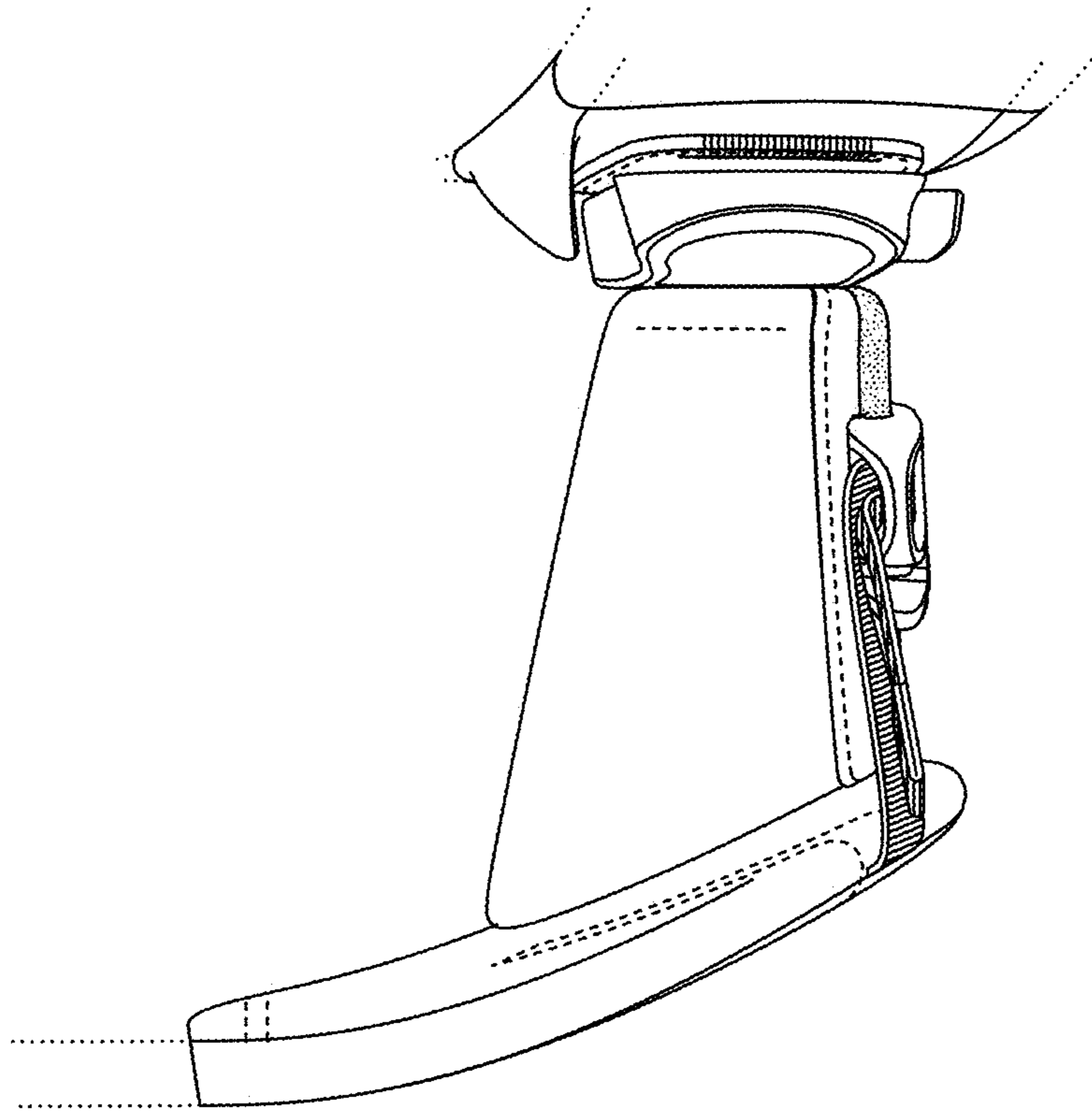


FIG. 6



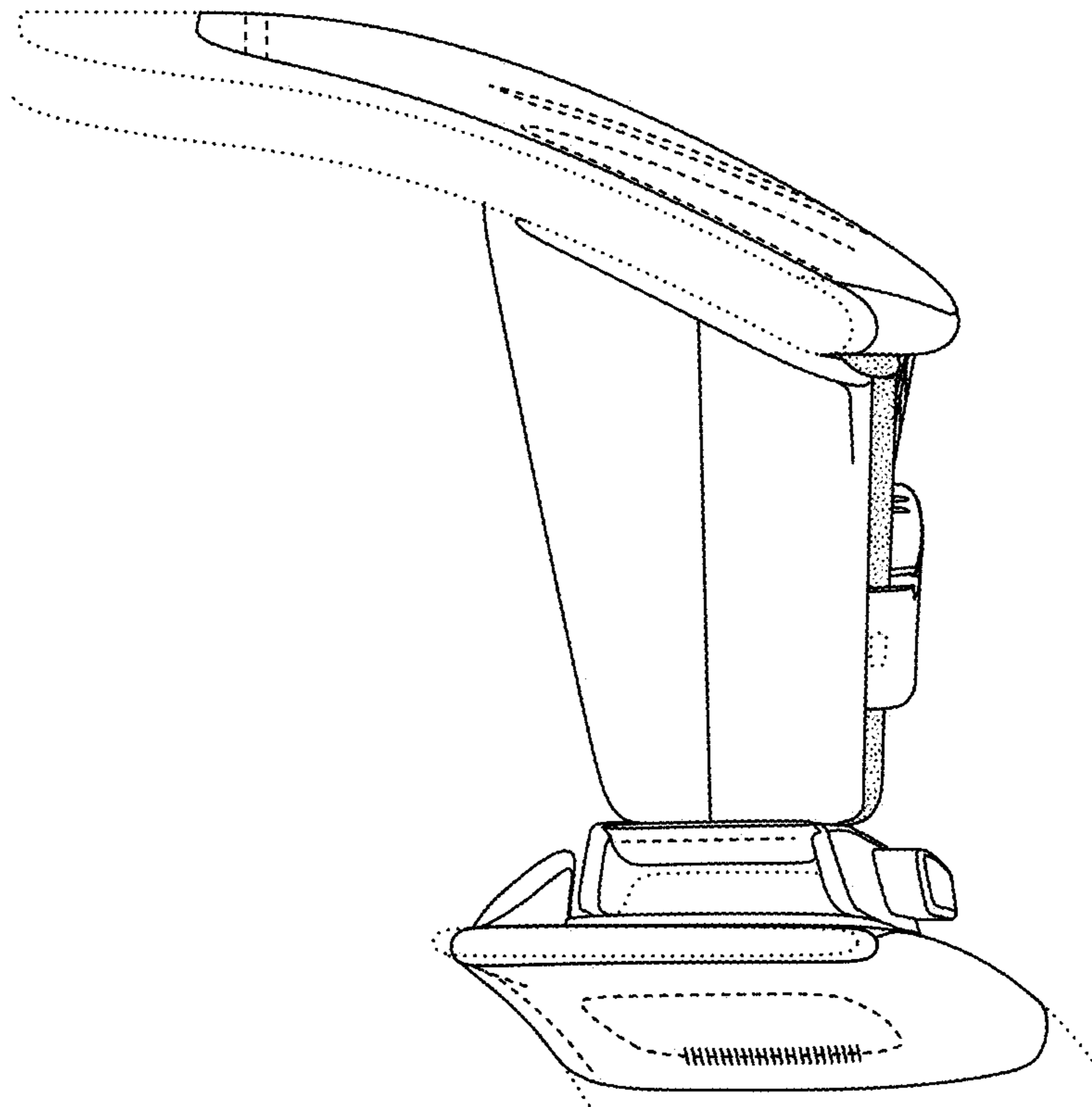


FIG. 7