



US00D930972S

(12) **United States Design Patent** (10) **Patent No.:** **US D930,972 S**
Hayman et al. (45) **Date of Patent:** **** Sep. 21, 2021**

(54) **TABLET DISPENSER FOR MEDICATIONS**

(71) Applicant: **OnDosis AB**, Gothenburg (SE)

(72) Inventors: **John Charles Price Hayman**,
Gothenburg (SE); **Hans Anders**
Jimgren, Kungsbacka (SE); **Magnus**
Karemyr, Västra Frölunda (SE)

(73) Assignee: **ONDOSIS AB**, Gothenburg (SE)

(**) Term: **15 Years**

(21) Appl. No.: **29/689,890**

(22) Filed: **May 2, 2019**

(30) **Foreign Application Priority Data**

Nov. 2, 2018 (EM) 005816188

(51) **LOC (13) Cl.** **03-01**

(52) **U.S. Cl.**
USPC **D3/203.2**

(58) **Field of Classification Search**

USPC D3/201, 203.1, 203.2, 203.3, 203.4;
D14/135, 137, 138 R, 138 AA, 140.11,
D14/154, 158, 167, 203.1, 203.3, 203.7,
D14/218
CPC ... A61J 1/00; A61J 1/03; A61J 7/0076; B65D
83/0083; B65D 83/04; B65D 83/0409;
B65D 83/0418; B65D 2583/04; B65D
2583/005; B65D 2583/0445; B65D
2583/0472; B65D 2583/0481

See application file for complete search history.

(56) **References Cited**

U.S. PATENT DOCUMENTS

D299,336 S * 1/1989 Osanai D14/154
D398,304 S * 9/1998 Murray D14/137
D398,605 S * 9/1998 Murray D14/137
D449,733 S * 10/2001 Jacober D3/203.2

6,540,672 B1 * 4/2003 Simonsen A61B 5/15113
600/300
D491,542 S * 6/2004 Chai D14/138 AA
D547,051 S * 7/2007 Kirk, III D3/203.1
D551,653 S * 9/2007 Nohara D14/167
D555,123 S * 11/2007 Mehandjiysky D14/138 C
D558,183 S * 12/2007 Aoki D14/167
D601,123 S * 9/2009 Andre D14/203.3

(Continued)

OTHER PUBLICATIONS

Santamedical Electronic Handheld Massager, gurinproducts.com,
<http://gurinproducts.com/product/tens-unit-handheld-electronic-pulse-massager/> (Year: 2020).*

(Continued)

Primary Examiner — Steven J Czyz

(74) *Attorney, Agent, or Firm* — Getz Balich LLC

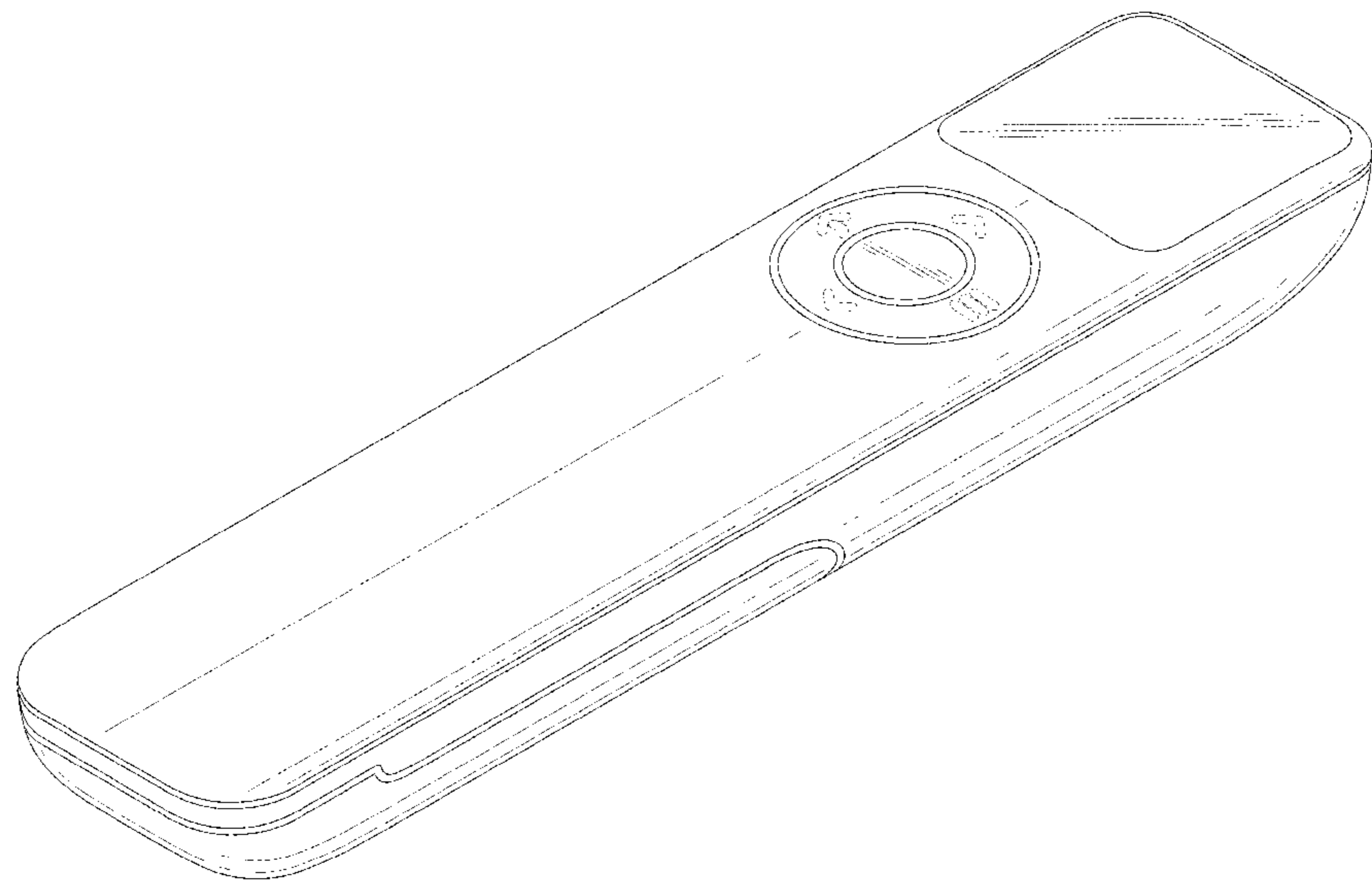
(57) **CLAIM**

The ornamental design for a tablet dispenser for medications, as shown and described.

DESCRIPTION

FIG. 1 is a front perspective view of a tablet dispenser for medications;
FIG. 2 is a front elevation view thereof;
FIG. 3 is a rear elevation view thereof;
FIG. 4 is a left side elevation view thereof;
FIG. 5 is a right side elevation view thereof;
FIG. 6 is a top side elevation view thereof;
FIG. 7 is a bottom side elevation view thereof;
FIG. 8 is an exploded front perspective view thereof;
FIG. 9 is an exploded front elevation view thereof;
FIG. 10 is an exploded rear elevation view thereof;
FIG. 11 is an exploded left side elevation view thereof; and,
FIG. 12 is an exploded right side elevation view thereof.
The broken lines depict portions of the article that form no part of the claimed design.

1 Claim, 7 Drawing Sheets



(56)

References Cited

U.S. PATENT DOCUMENTS

D609,689 S * 2/2010 Obata D14/167
D618,660 S * 6/2010 Whang D14/167
D622,499 S * 8/2010 Sprada D3/203.2
D635,544 S * 4/2011 Nohara D14/167
D639,773 S * 6/2011 Kang D14/203.7
D644,833 S * 9/2011 Leifeld D3/203.2
D652,204 S * 1/2012 Lindqvist D3/203.2
D656,413 S * 3/2012 Hayton D9/730
D665,819 S * 8/2012 Andre D14/496
D695,787 S * 12/2013 Otani D14/496
D710,818 S * 8/2014 Ota D14/167
D717,271 S * 11/2014 Emami D14/203.7
9,125,795 B2 * 9/2015 Degian A61J 1/00
D757,001 S * 5/2016 Kim D14/344
D762,622 S * 8/2016 Mitsui D14/218
D763,830 S * 8/2016 Jones D14/218
9,505,544 B2 * 11/2016 Leifeld B65D 83/0418
D794,610 S * 8/2017 Shin D14/218
D805,052 S * 12/2017 Suzuki D14/167
D823,834 S * 7/2018 Wang D14/218
D828,336 S * 9/2018 Matvienko D14/218
D858,486 S * 9/2019 Biddle D14/218
D863,242 S * 10/2019 Gordon D14/137
D867,338 S * 11/2019 Ruegg D14/218
D883,246 S * 5/2020 Lister D14/138 AD
D898,705 S * 10/2020 Wendling D14/218
D898,706 S * 10/2020 Jiang D14/218

OTHER PUBLICATIONS

Belmint Handheld Electronic Massager, walmart.com, <https://www.walmart.com/ip/Belmint-Tens-Handheld-Electronic-Pulse-Massager-Unit-with-8-Pads-Case-included/761234179> (Year: 2020).*

* cited by examiner

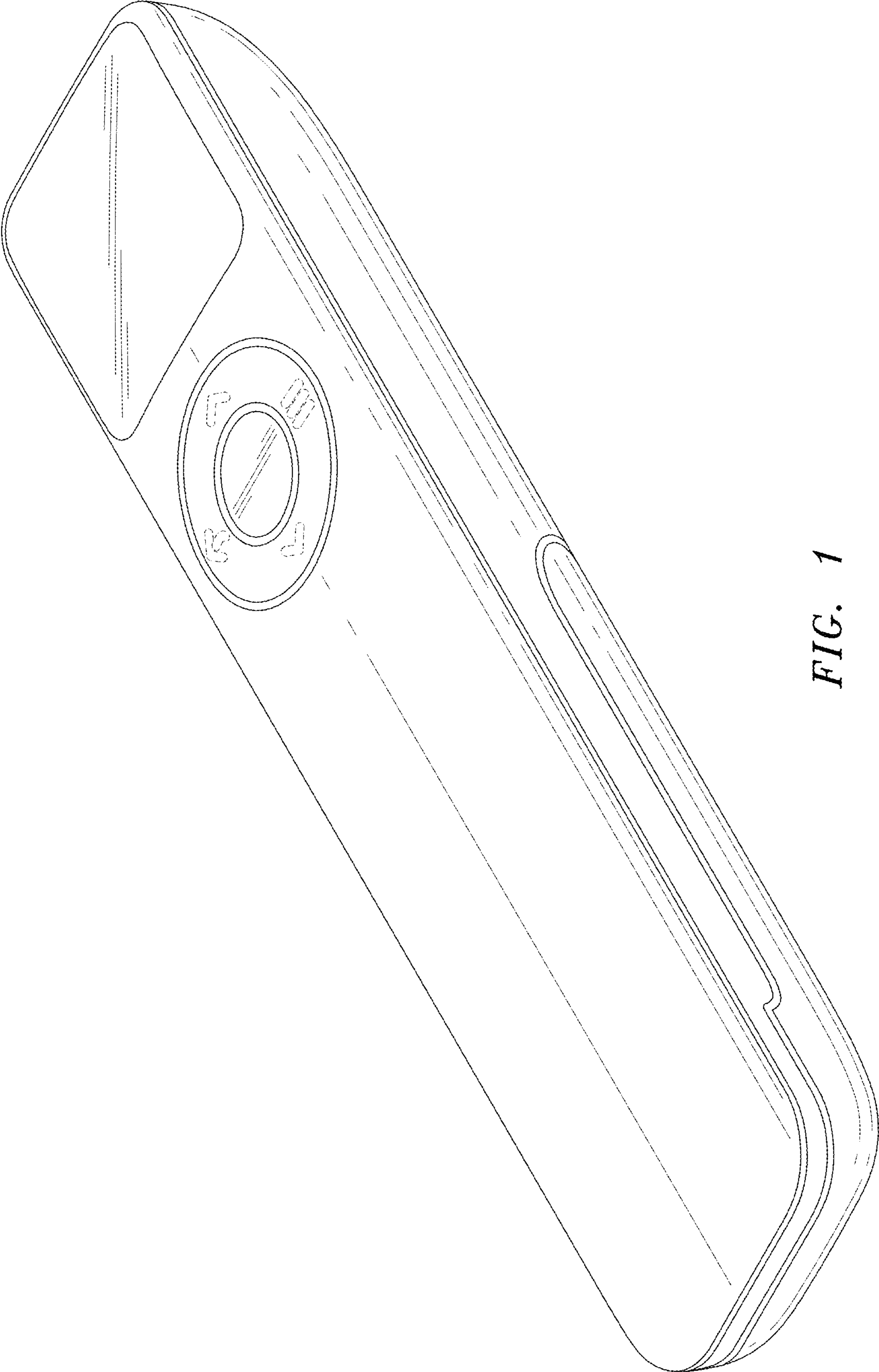


FIG. 1

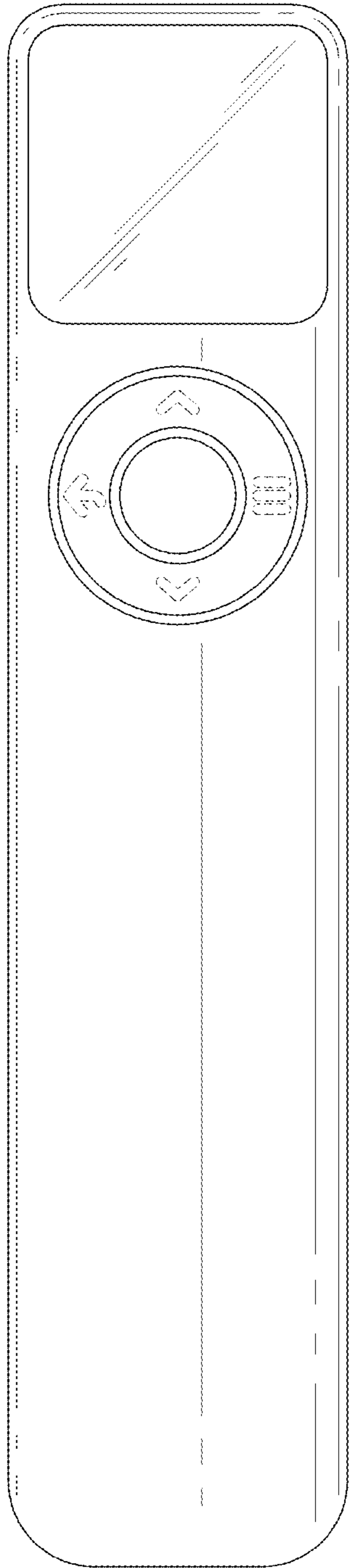


FIG. 2

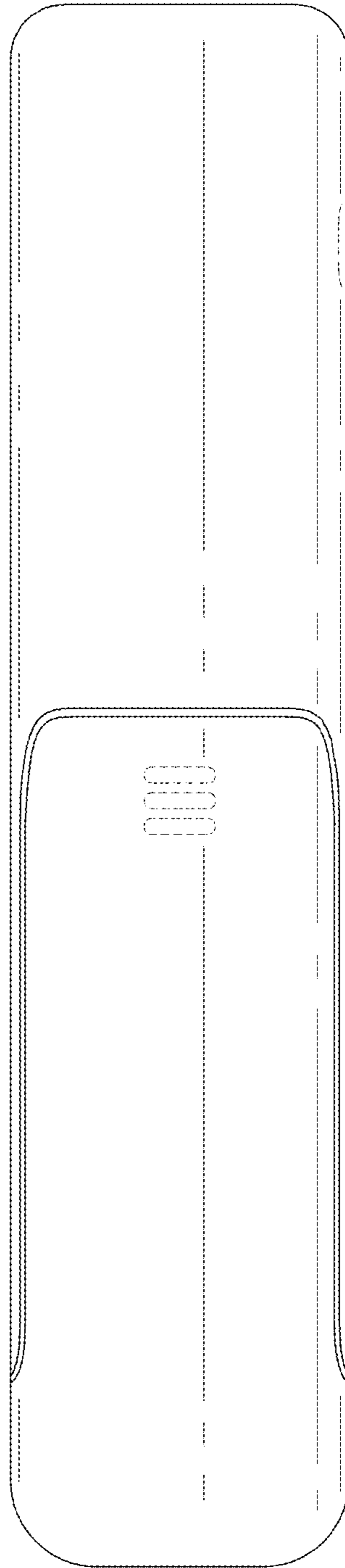


FIG. 3

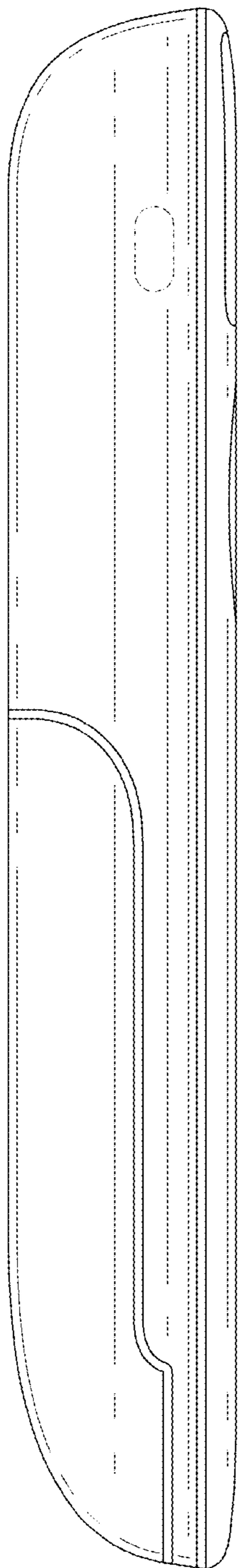


FIG. 4

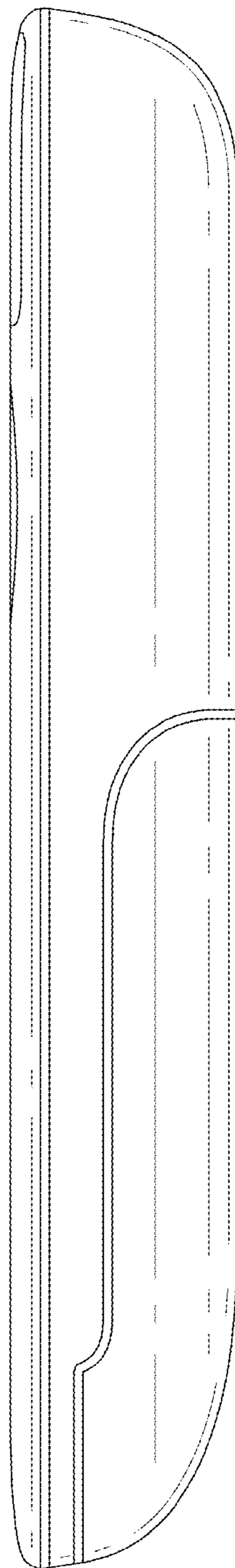


FIG. 5

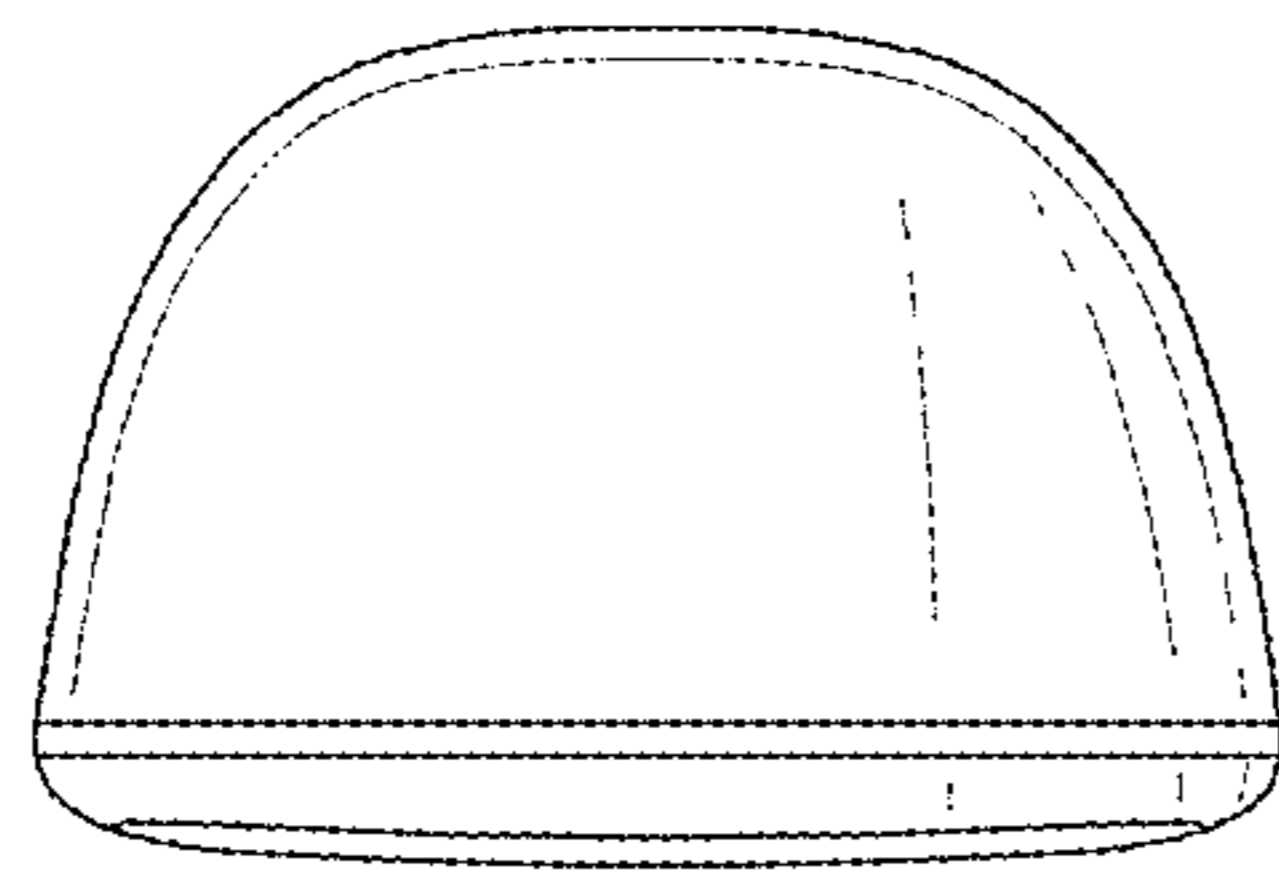


FIG. 6

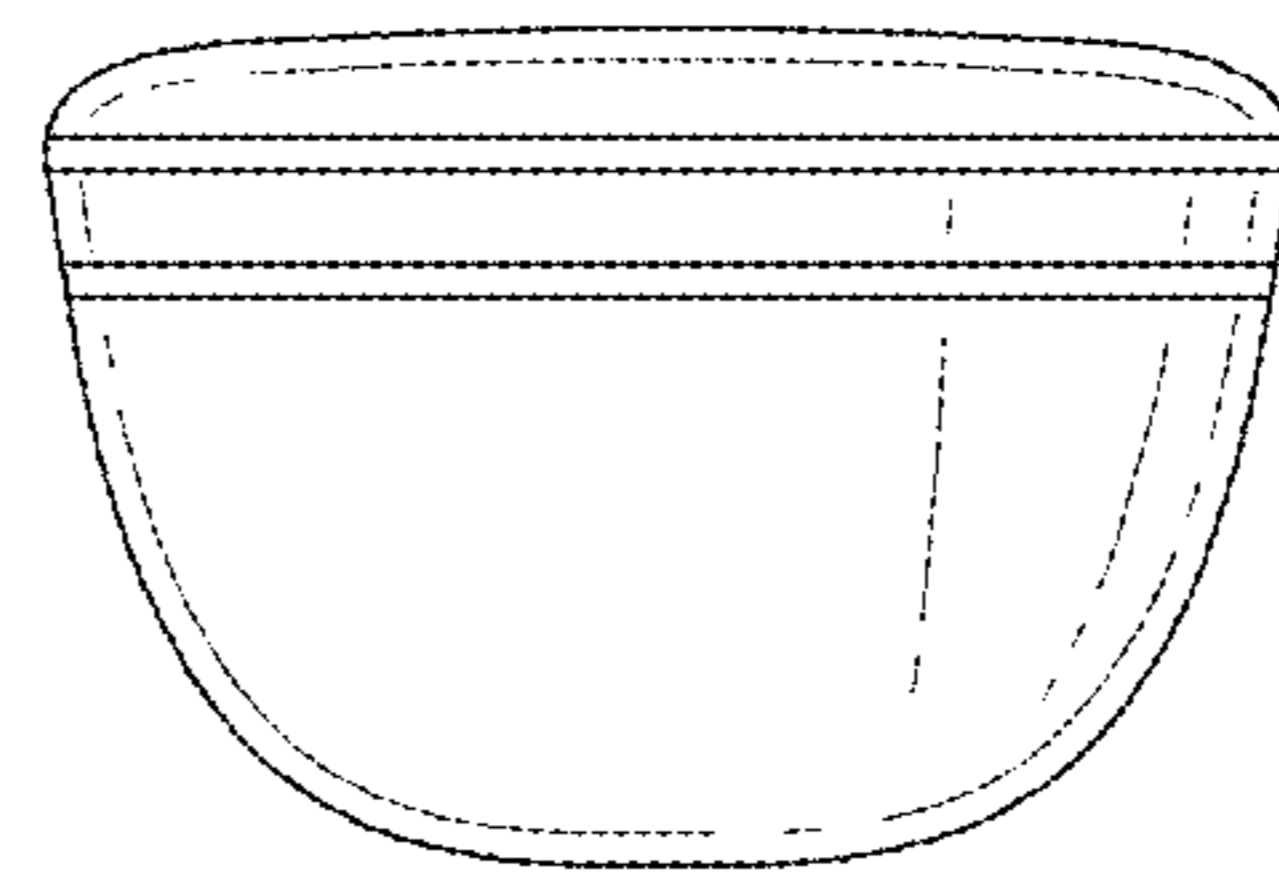


FIG. 7

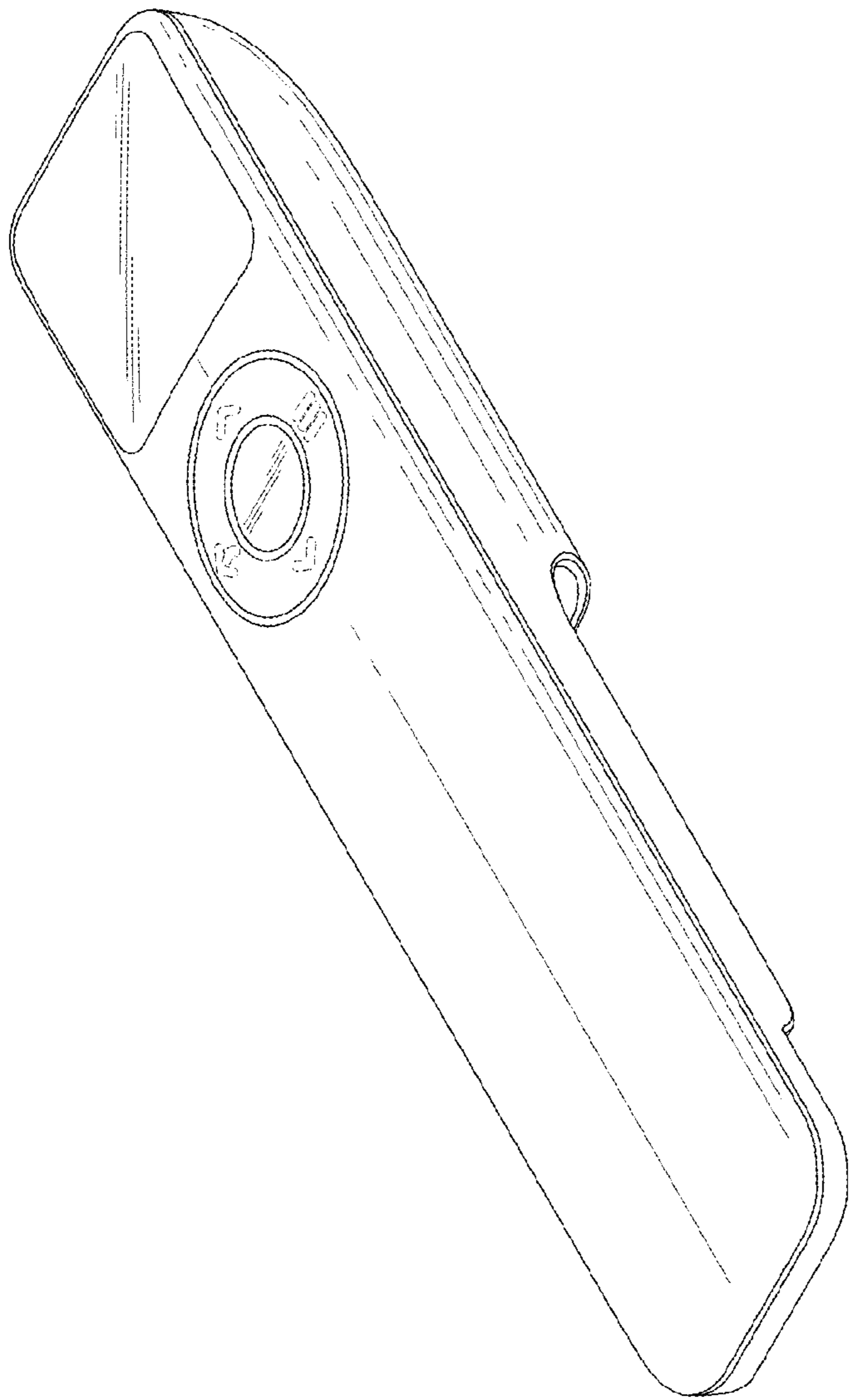
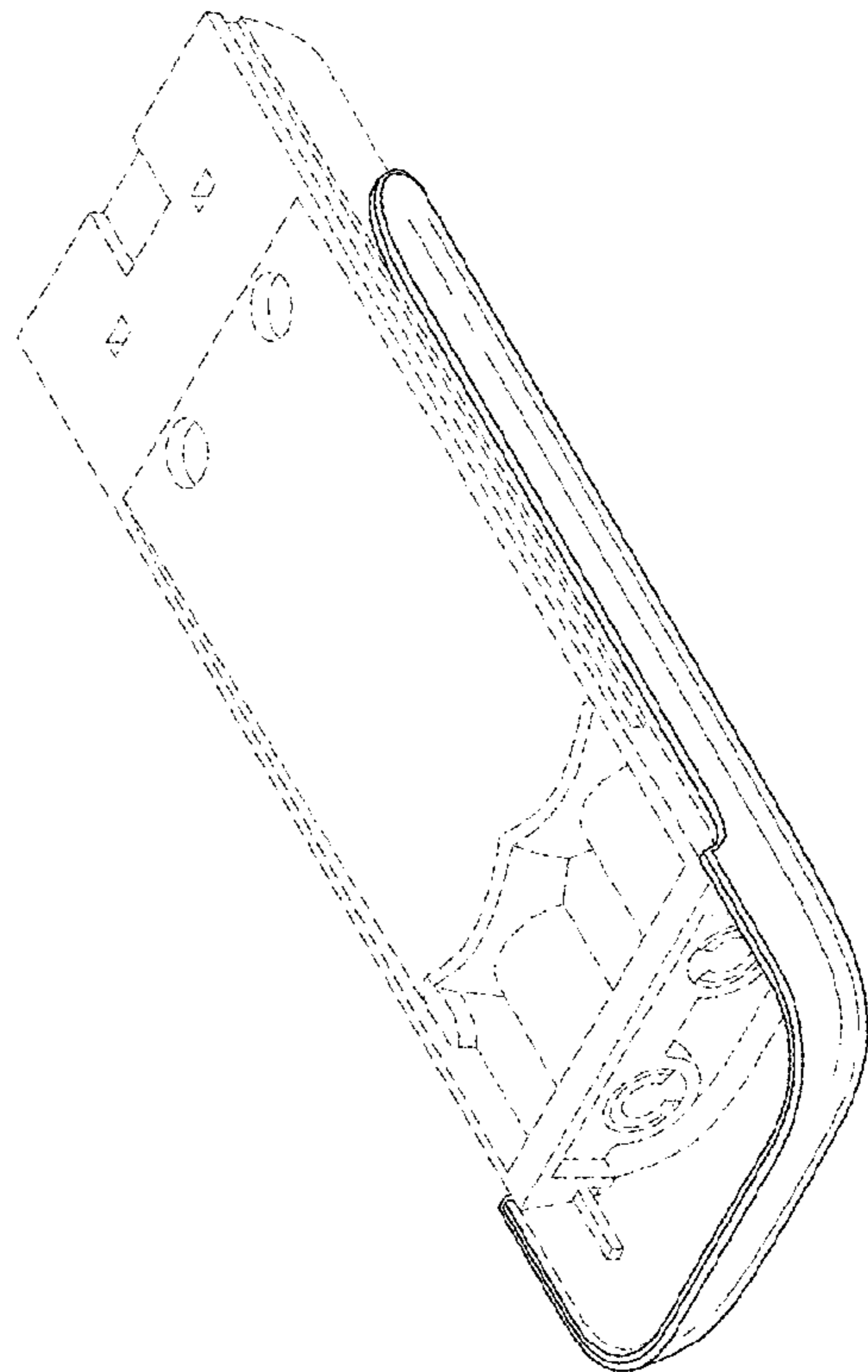


FIG. 8



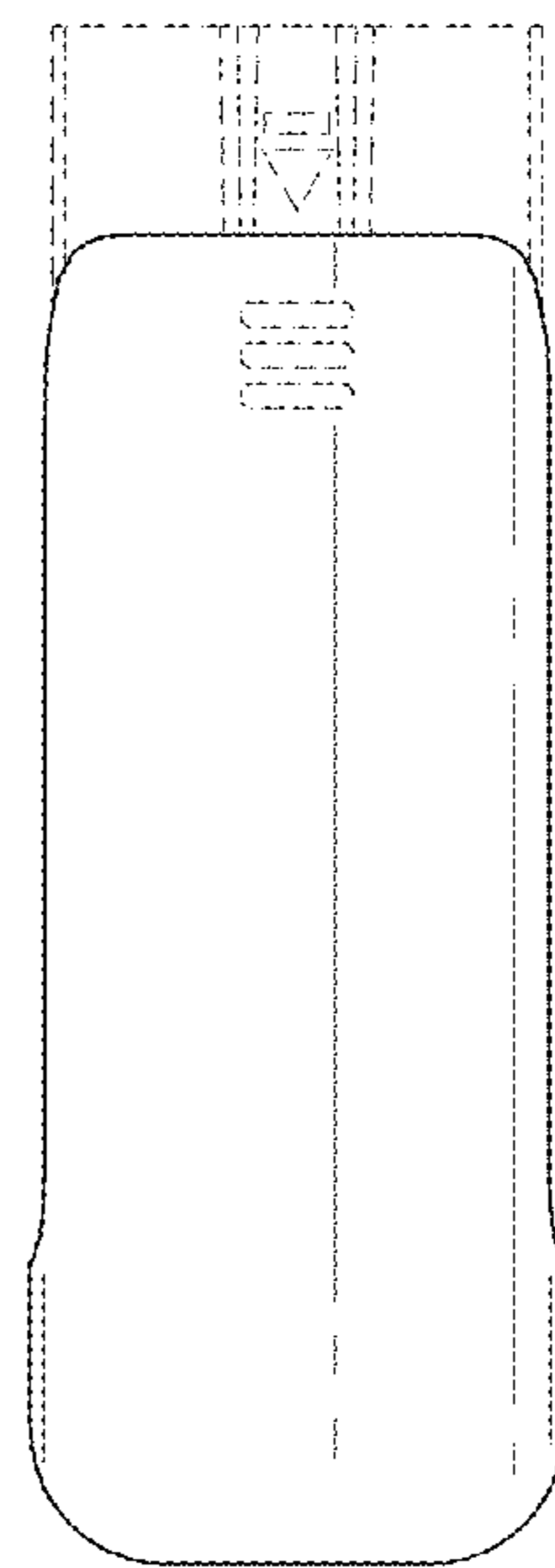
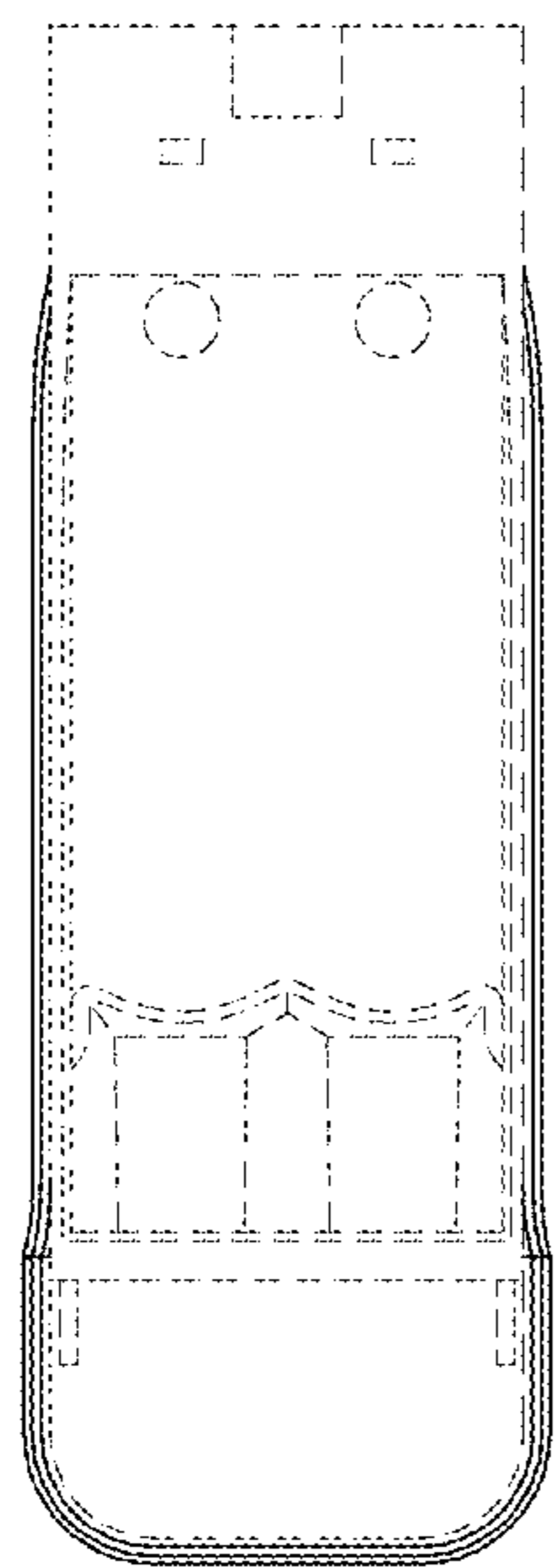
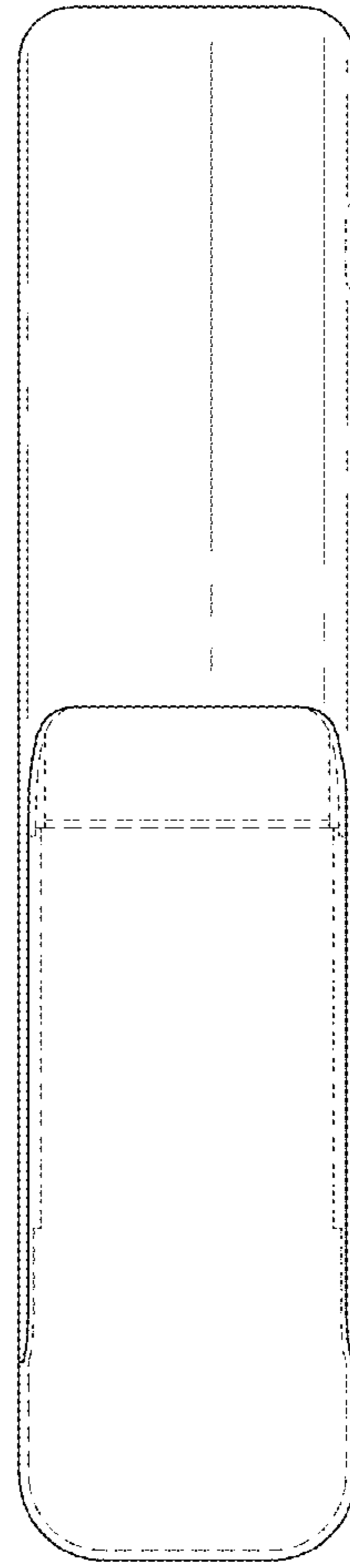
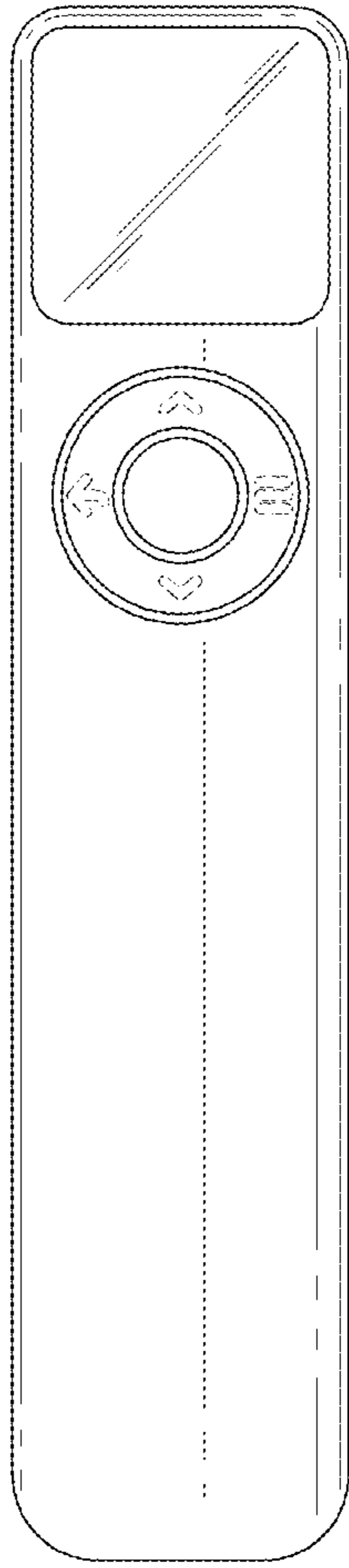


FIG. 9

FIG. 10

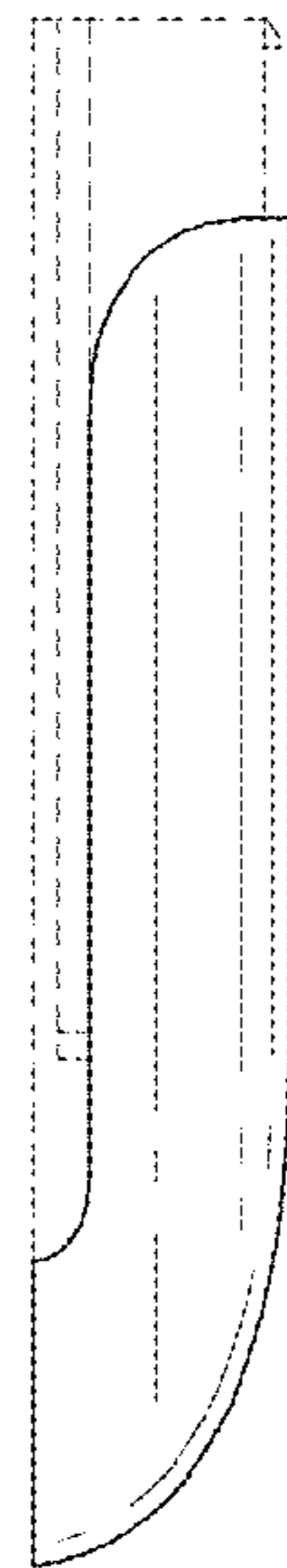
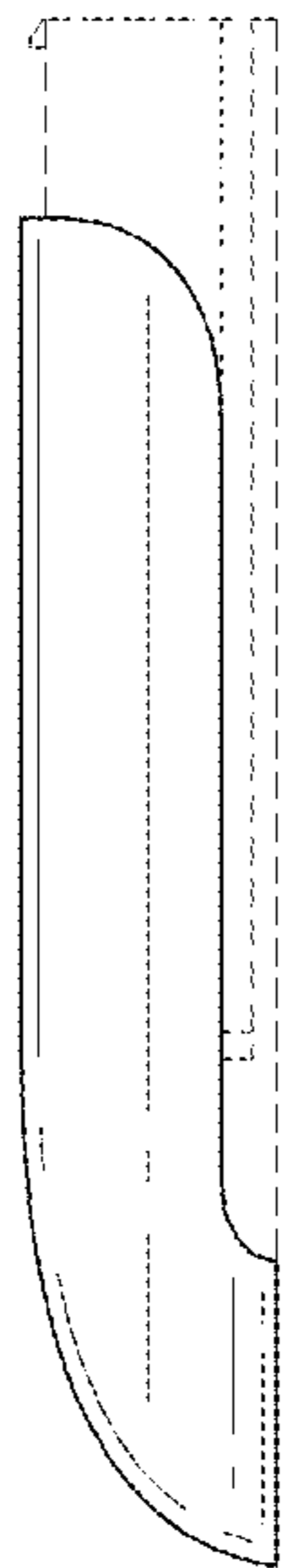
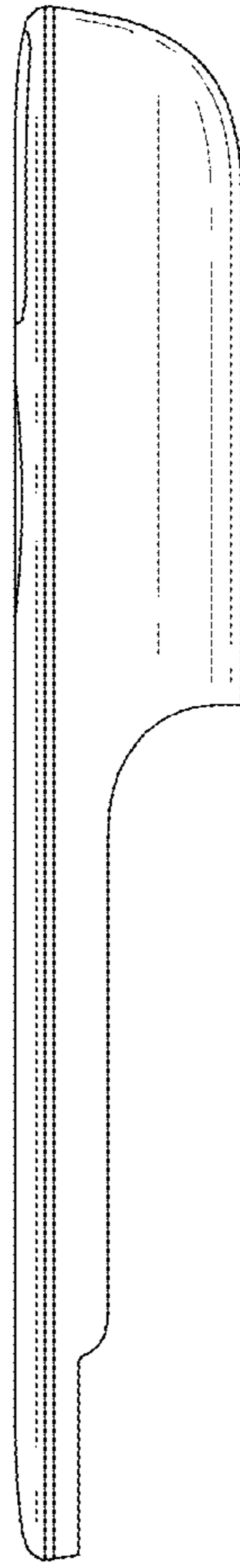
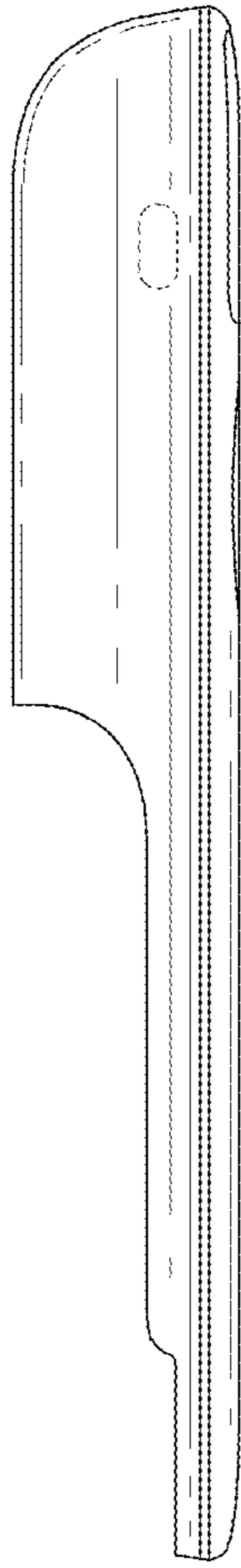


FIG. 11

FIG. 12