



US00D930971S

(12) **United States Design Patent** (10) **Patent No.:** **US D930,971 S**
Nelson (45) **Date of Patent:** **** *Sep. 21, 2021**

(54) **WALKING AID ATTACHMENT**

(71) Applicant: **Craig Edward Nelson**, Seattle, WA (US)

(72) Inventor: **Craig Edward Nelson**, Seattle, WA (US)

(*) Notice: This patent is subject to a terminal disclaimer.

(**) Term: **15 Years**

(21) Appl. No.: **29/738,035**

(22) Filed: **Jun. 15, 2020**

(51) **LOC (13) Cl.** **03-03**

(52) **U.S. Cl.**
USPC **D3/10**

(58) **Field of Classification Search**

USPC D3/5, 6, 7, 8, 9, 10; D6/672, 681, 681.1, D6/681.2, 682, 682.6; D14/225, 227, D14/229; D16/242, 244

CPC A45B 1/00; A45B 3/00; A45B 7/00; A45B 9/00; A45B 9/04; A45B 2009/002; A45B 2009/005; A45B 2009/007; A45B 2200/05; A45B 2200/055; E04H 12/18; E04H 12/22

See application file for complete search history.

(56) **References Cited**

U.S. PATENT DOCUMENTS

D156,567 S *	12/1949	Schroeder et al.	D3/7
3,170,475 A *	2/1965	Forbes	A45B 9/04
				135/80
3,208,461 A *	9/1965	Irwin	A61H 3/02
				135/69
3,241,285 A *	3/1966	Baroni	E01D 19/125
				52/842
4,106,521 A *	8/1978	Thomas	A61H 3/02
				135/67

(Continued)

Primary Examiner — Steven J Czyz

(57) **CLAIM**

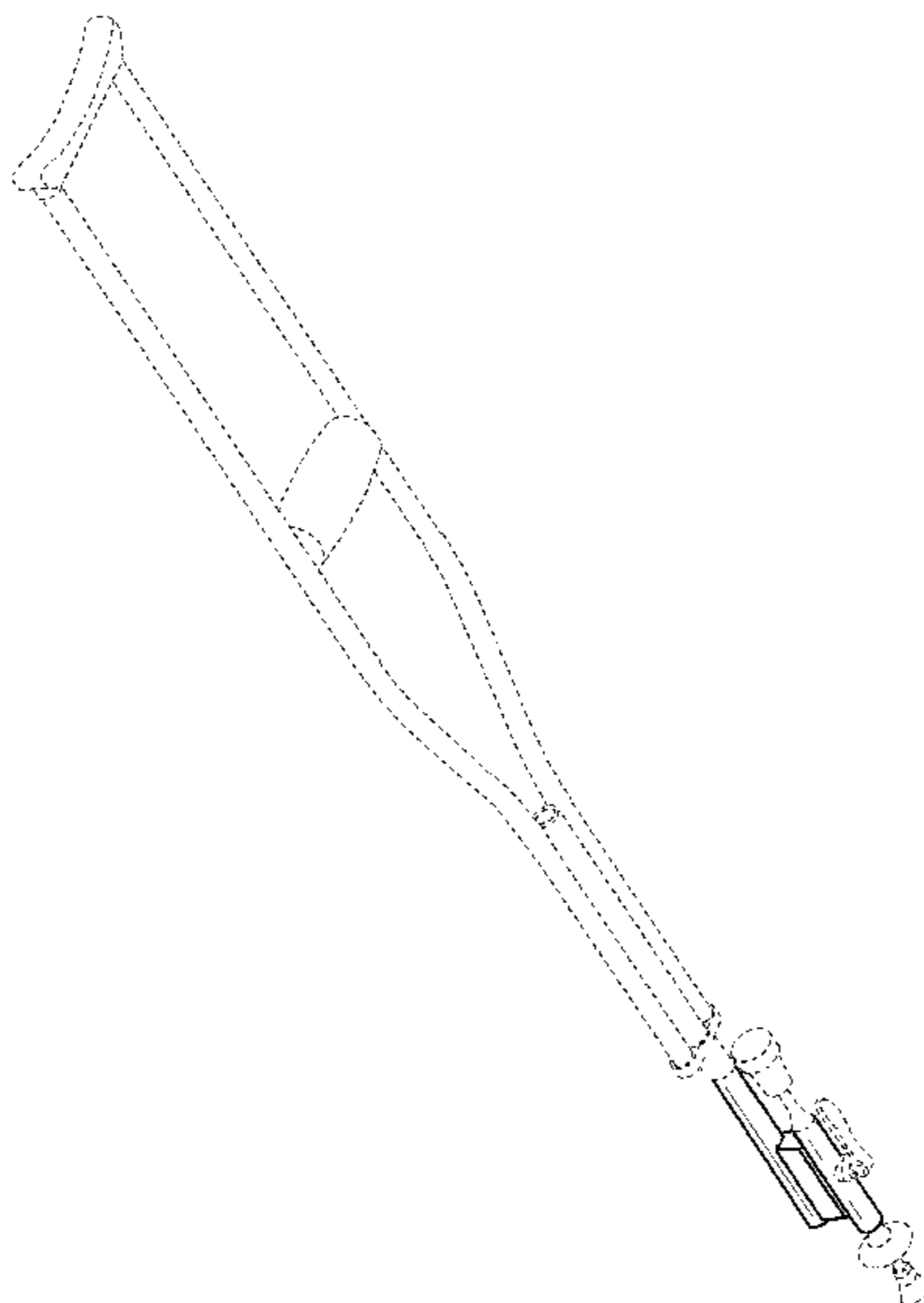
I claim the ornamental design for a walking aid attachment, as shown and described.

DESCRIPTION

FIG. 1 is a perspective view of a walking aid attachment; FIG. 2 is a front view thereof; FIG. 3 is a rear view thereof; FIG. 4 is a left side view thereof, with the right-side view being a mirror image thereof; FIG. 5 is a bottom view thereof; FIG. 6 is a top view thereof; FIG. 7 is a perspective view of the walking aid attachment shown with the attachment extended out; FIG. 8 is a front view thereof; FIG. 9 is a rear view thereof; FIG. 10 is a left side view thereof, with the right-side view being a mirror image thereof; FIG. 11 is a perspective view of the walking aid attachment in an alternate state; FIG. 12 is a front view thereof; FIG. 13 is a rear view thereof; FIG. 14 is a left side view thereof, with the right-side view being a mirror image thereof; FIG. 15 is a bottom view thereof; FIG. 16 is a top view thereof; FIG. 17 is a perspective view of the walking aid attachment in an alternate state, with the attachment extended out; FIG. 18 is a front view thereof; FIG. 19 is a rear view thereof; and, FIG. 20 is a left side view thereof, with the right-side view being a mirror image thereof.

The dash-dash-dash broken lines depict portions of the article that form no part of the claimed design. Shading lines within the figures are for the purpose of illustrating the walking aid attachment's shape and are not features of the design.

1 Claim, 18 Drawing Sheets



(56)

References Cited

U.S. PATENT DOCUMENTS

4,146,045 A * 3/1979 Grant A61H 3/02
 135/66
 4,253,479 A * 3/1981 Laurent A45B 3/00
 135/69
 4,274,430 A * 6/1981 Schaaf A45B 3/00
 135/65
 D304,528 S * 11/1989 Handler D6/681.1
 5,072,910 A * 12/1991 May F16M 11/28
 248/170
 D330,468 S * 10/1992 Jester, Jr. D6/552
 D360,887 S * 8/1995 Karnaze D14/224
 D371,149 S * 6/1996 Usui D16/244
 D392,973 S * 3/1998 Fenner D14/214
 D401,839 S * 12/1998 Krey D8/354
 D457,414 S * 5/2002 Speångmyr D15/142
 D465,352 S * 11/2002 Kim D6/681
 D474,012 S * 5/2003 Beltran D3/10

D521,720 S * 5/2006 Karasin D3/7
 D538,066 S * 3/2007 Wagner D6/681.1
 7,293,827 B2 * 11/2007 Schrader A45B 3/00
 135/66
 D579,926 S * 11/2008 Whitworth D14/224
 D600,945 S * 9/2009 Kelsen D14/451
 D606,297 S * 12/2009 Nardone D3/7
 D632,069 S * 2/2011 Thiessens D3/7
 8,146,615 B1 * 4/2012 Rodriguez A61H 3/02
 135/68
 9,016,297 B2 * 4/2015 Salomon A45B 1/02
 135/66
 D743,951 S * 11/2015 Slaton D14/229
 D760,203 S * 6/2016 Wise D14/227
 D760,704 S * 7/2016 Wise D14/227
 D779,241 S * 2/2017 Terada D6/681.1
 D825,912 S * 8/2018 Evans D3/7
 D828,058 S * 9/2018 Khanicheh D6/681
 D890,510 S * 7/2020 Crown D3/8

* cited by examiner

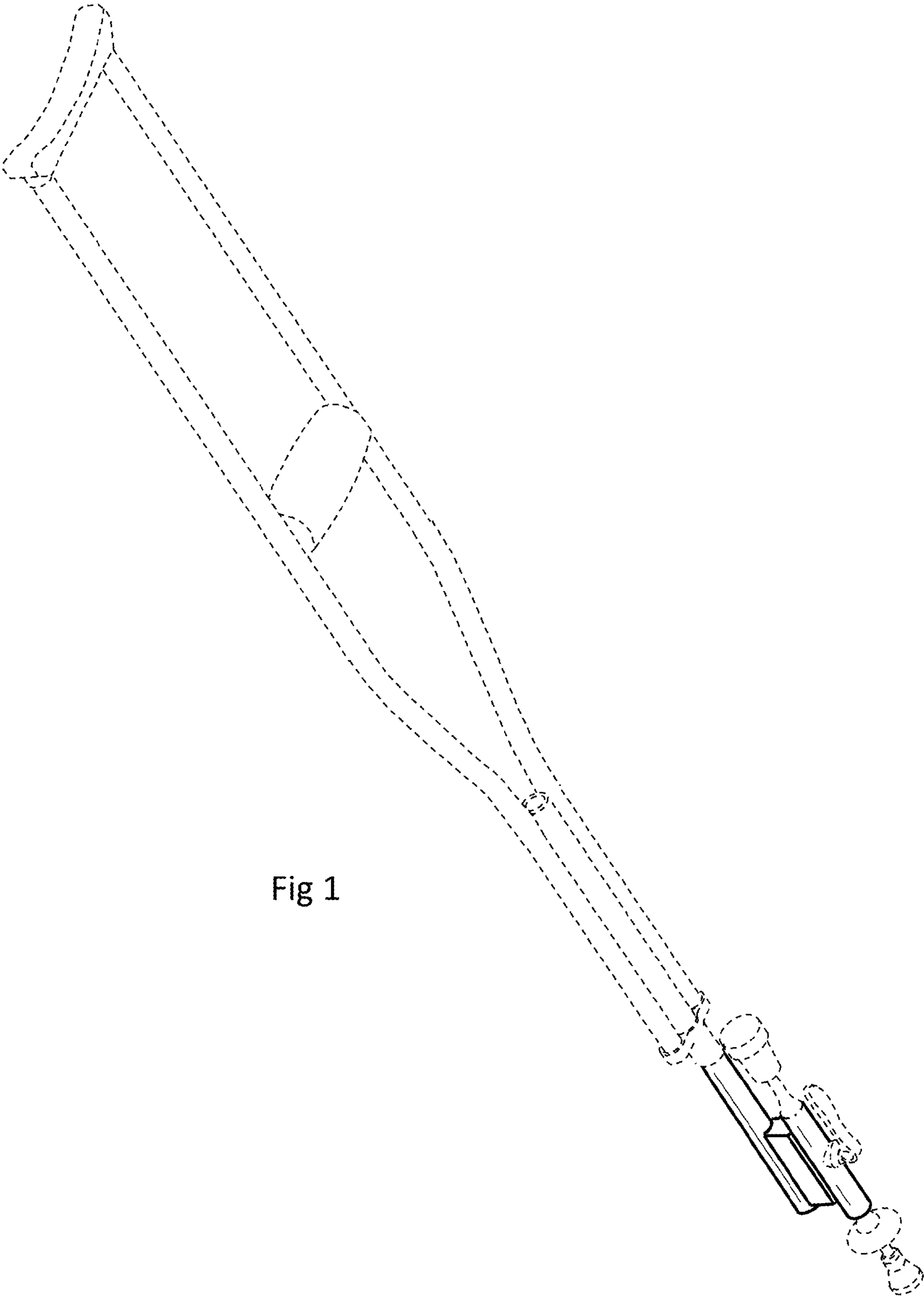


Fig 1

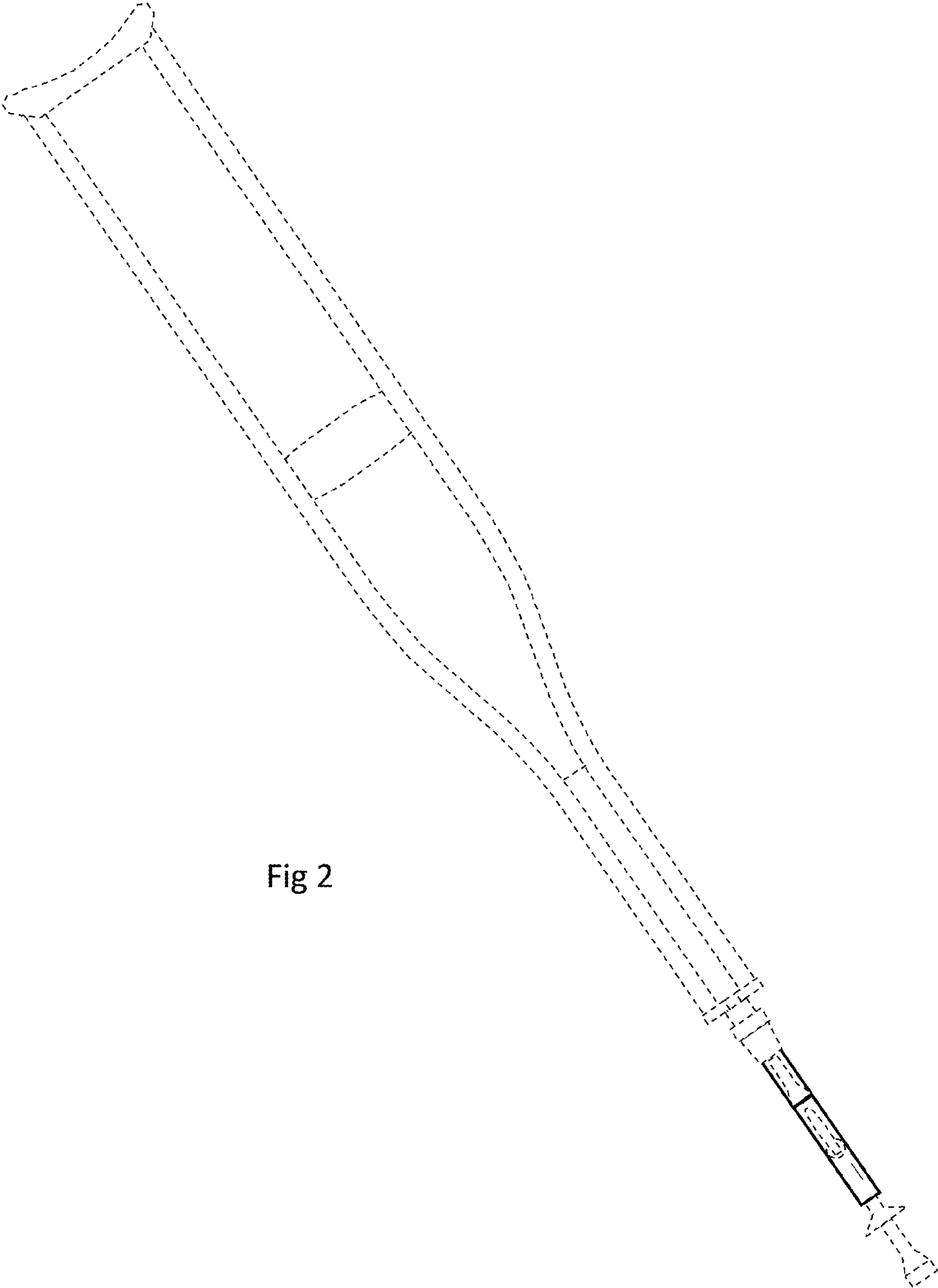


Fig 2

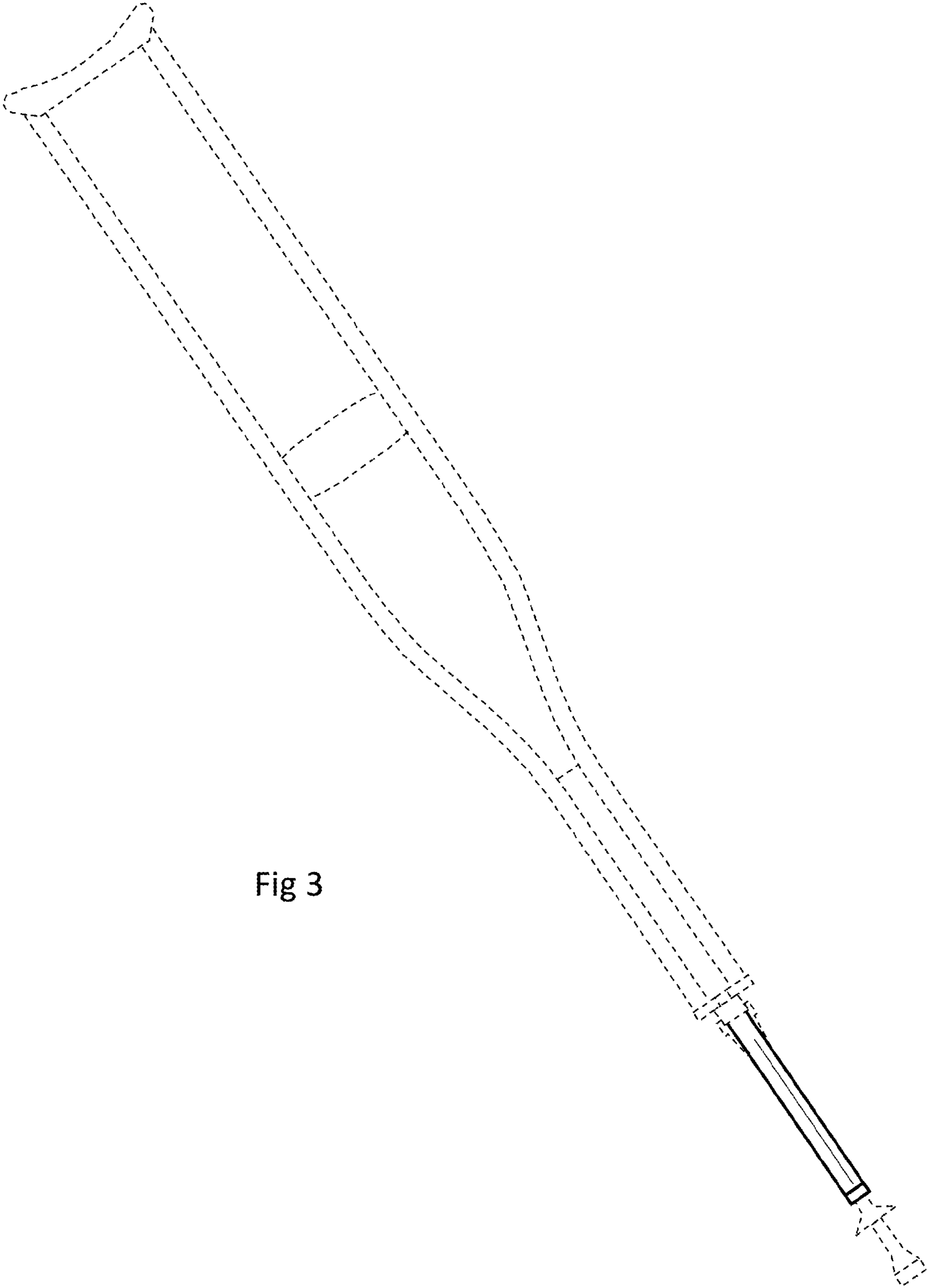


Fig 3

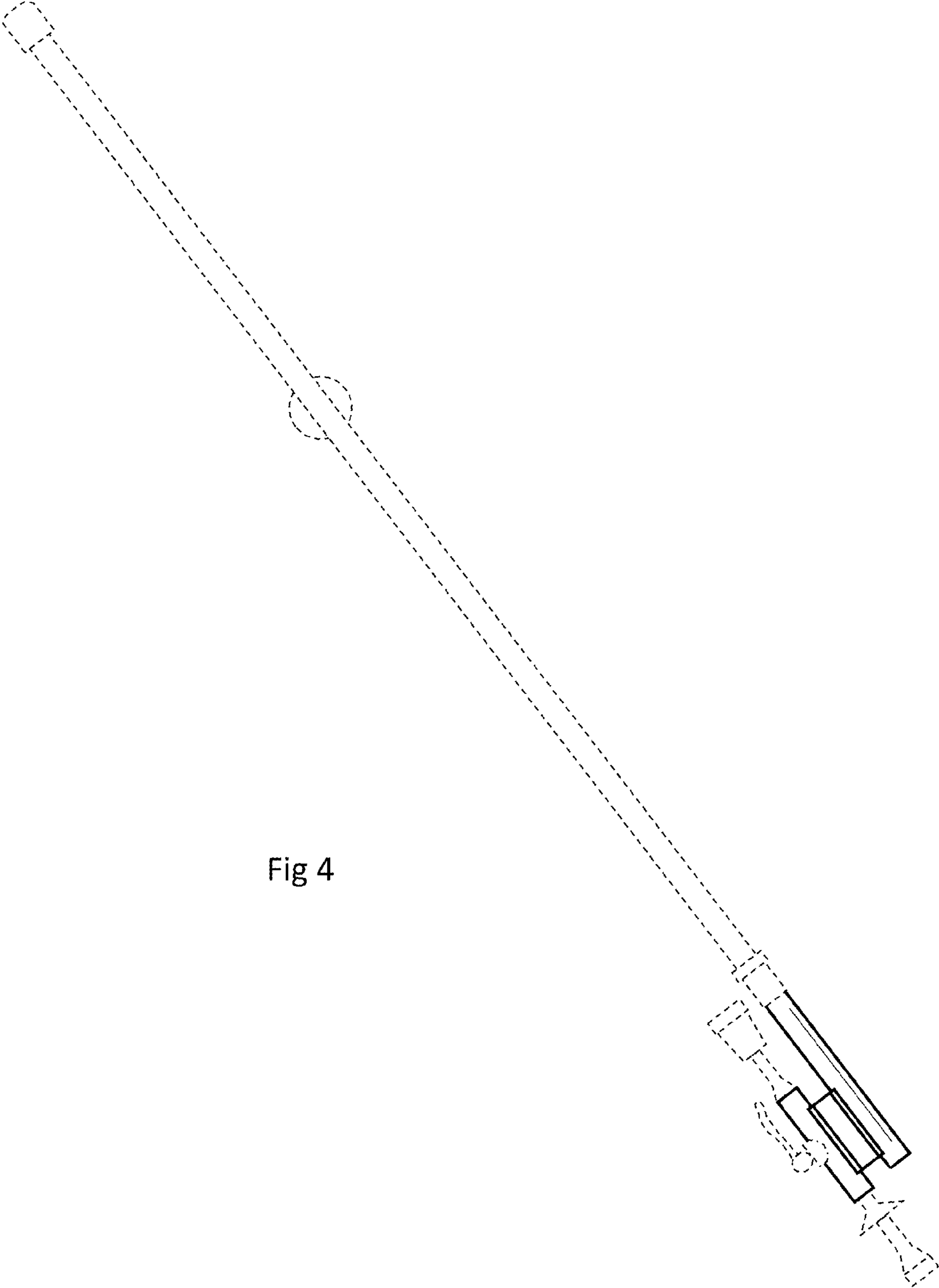


Fig 4

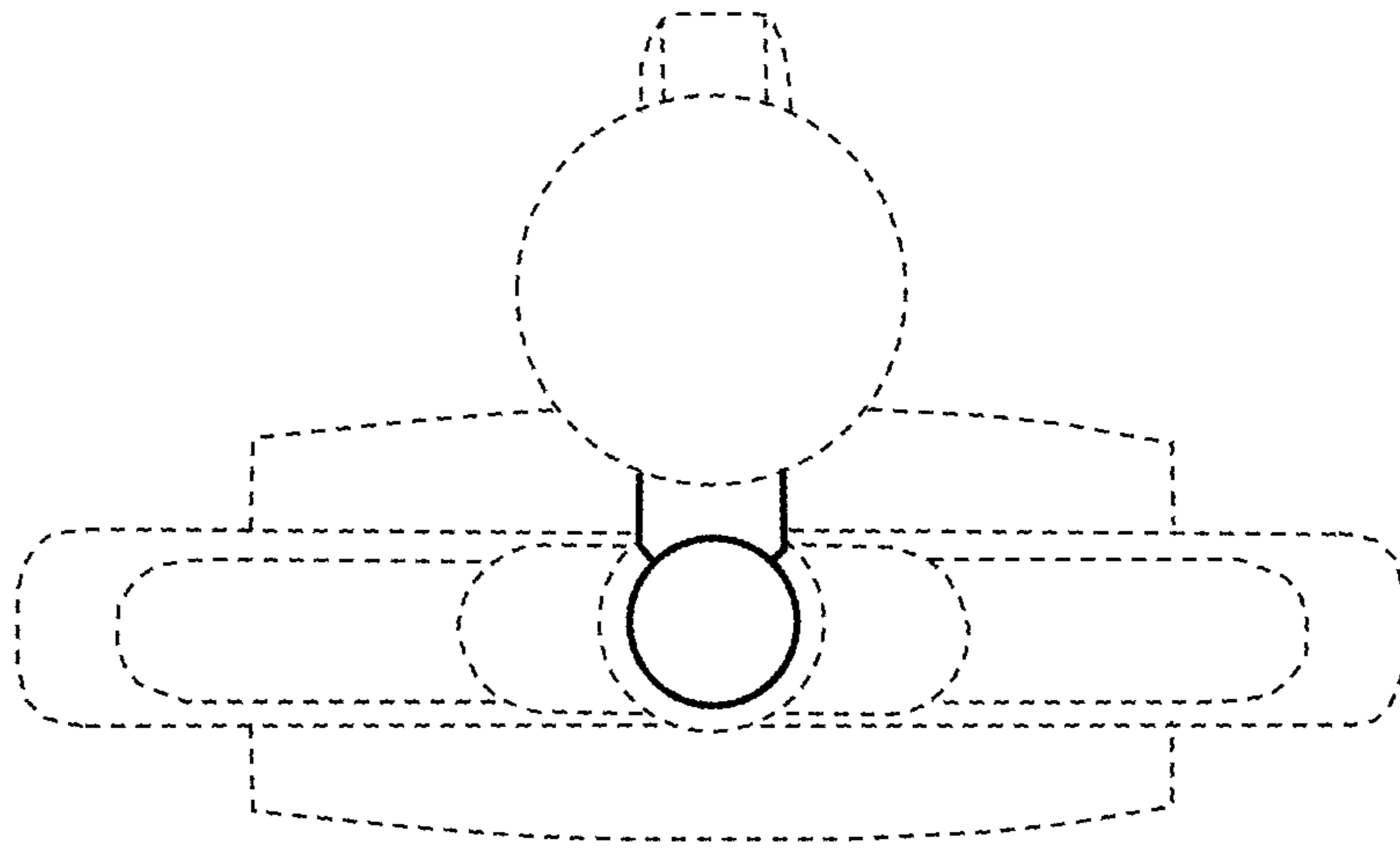


Fig 5

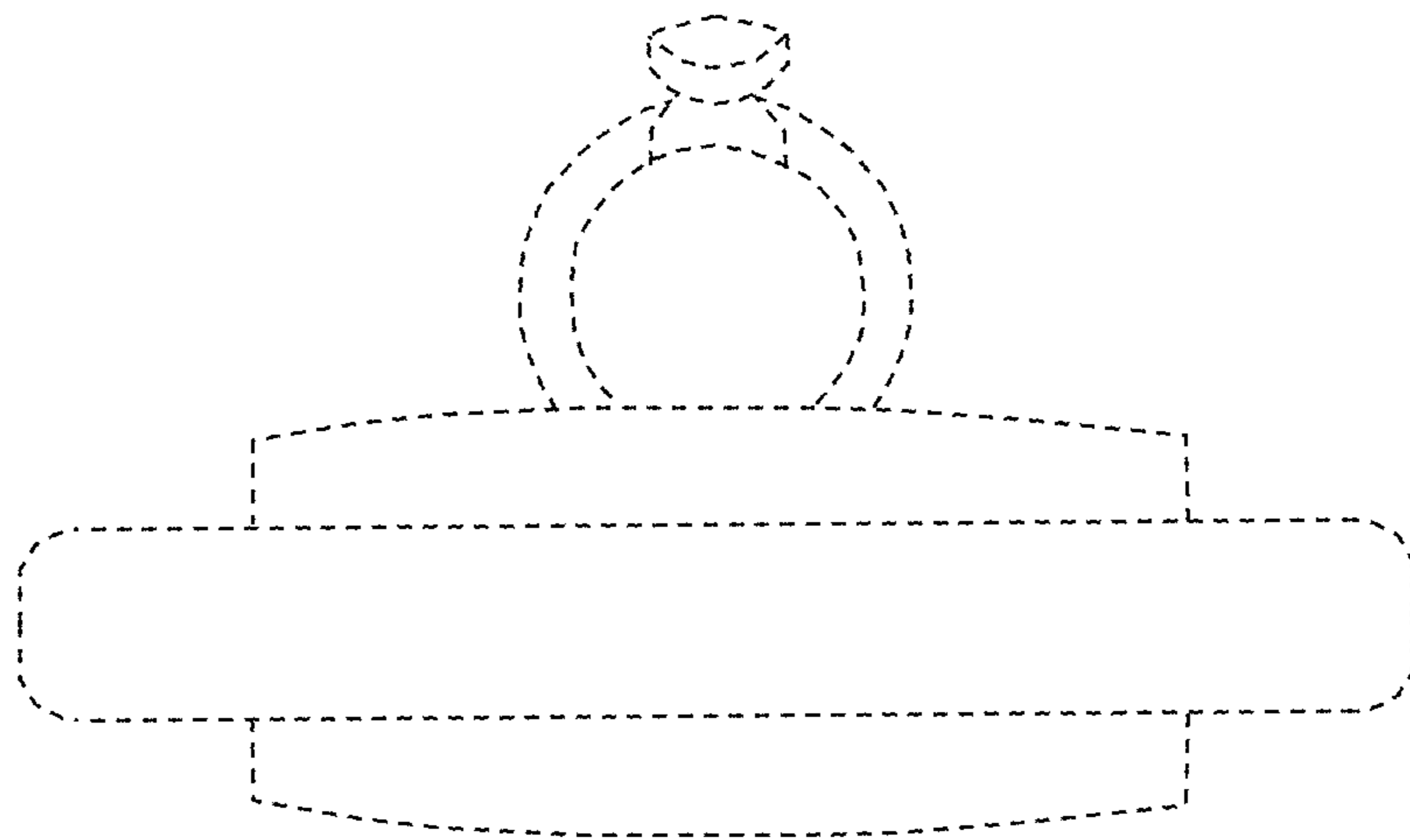


Fig 6

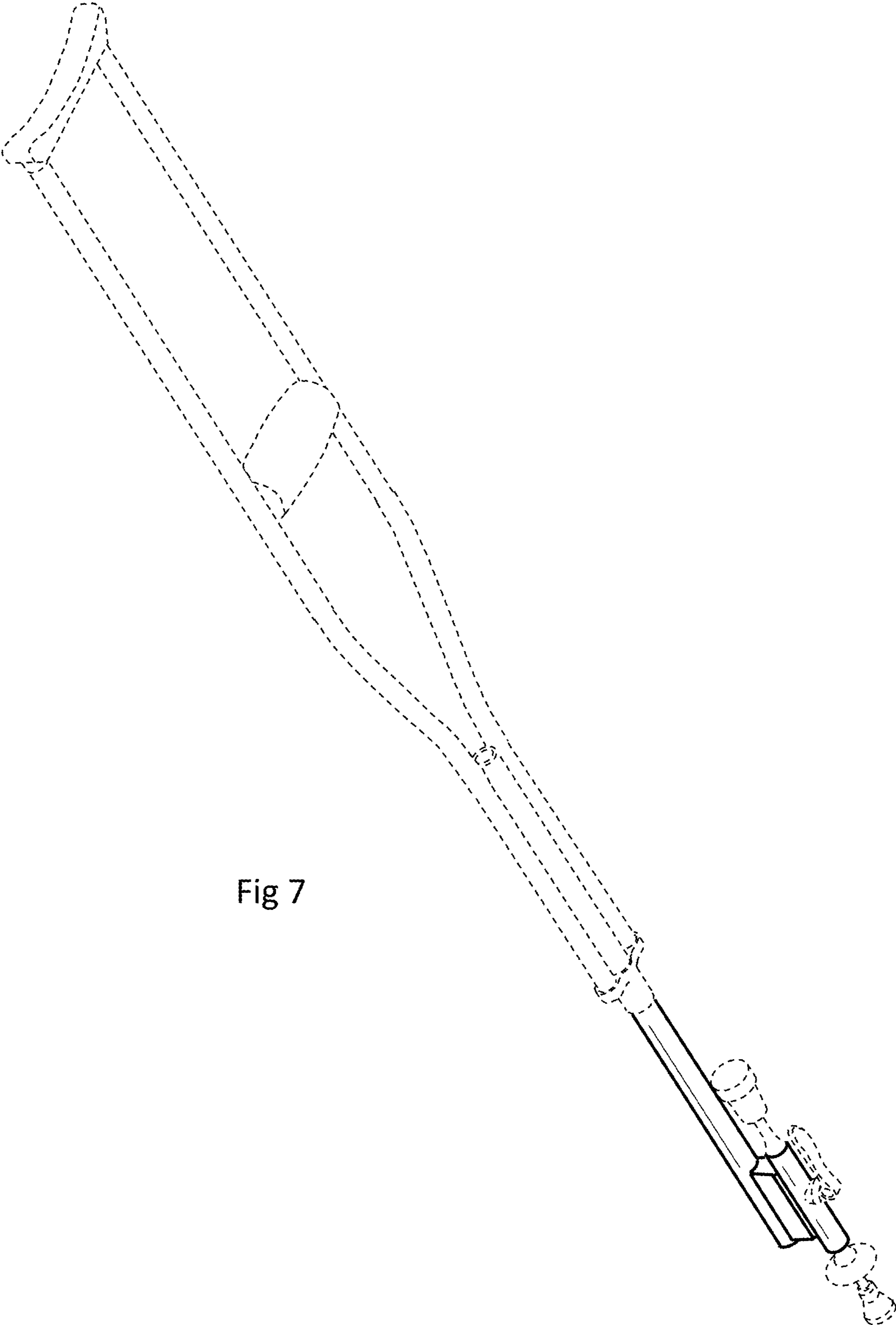


Fig 7

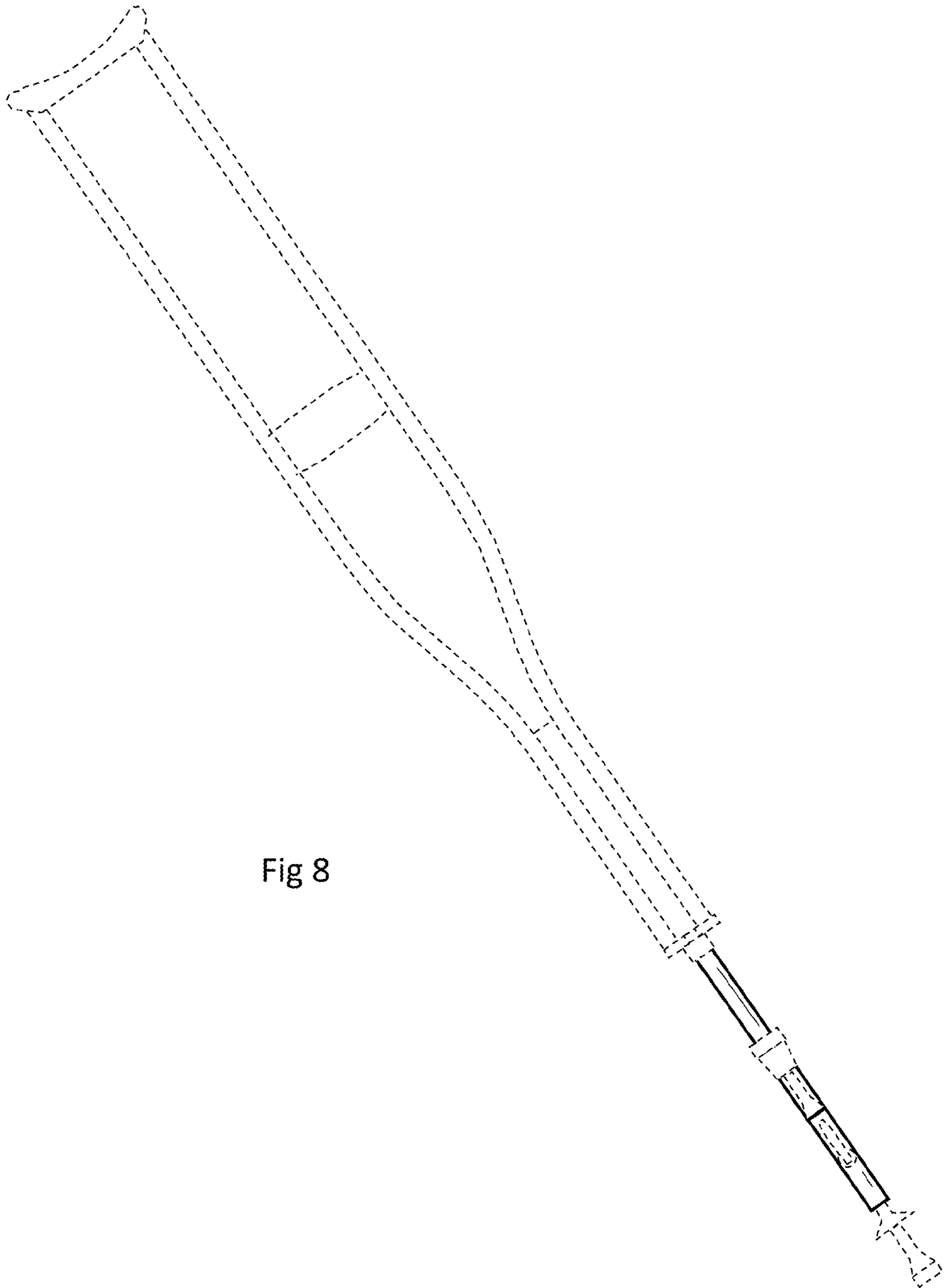


Fig 8

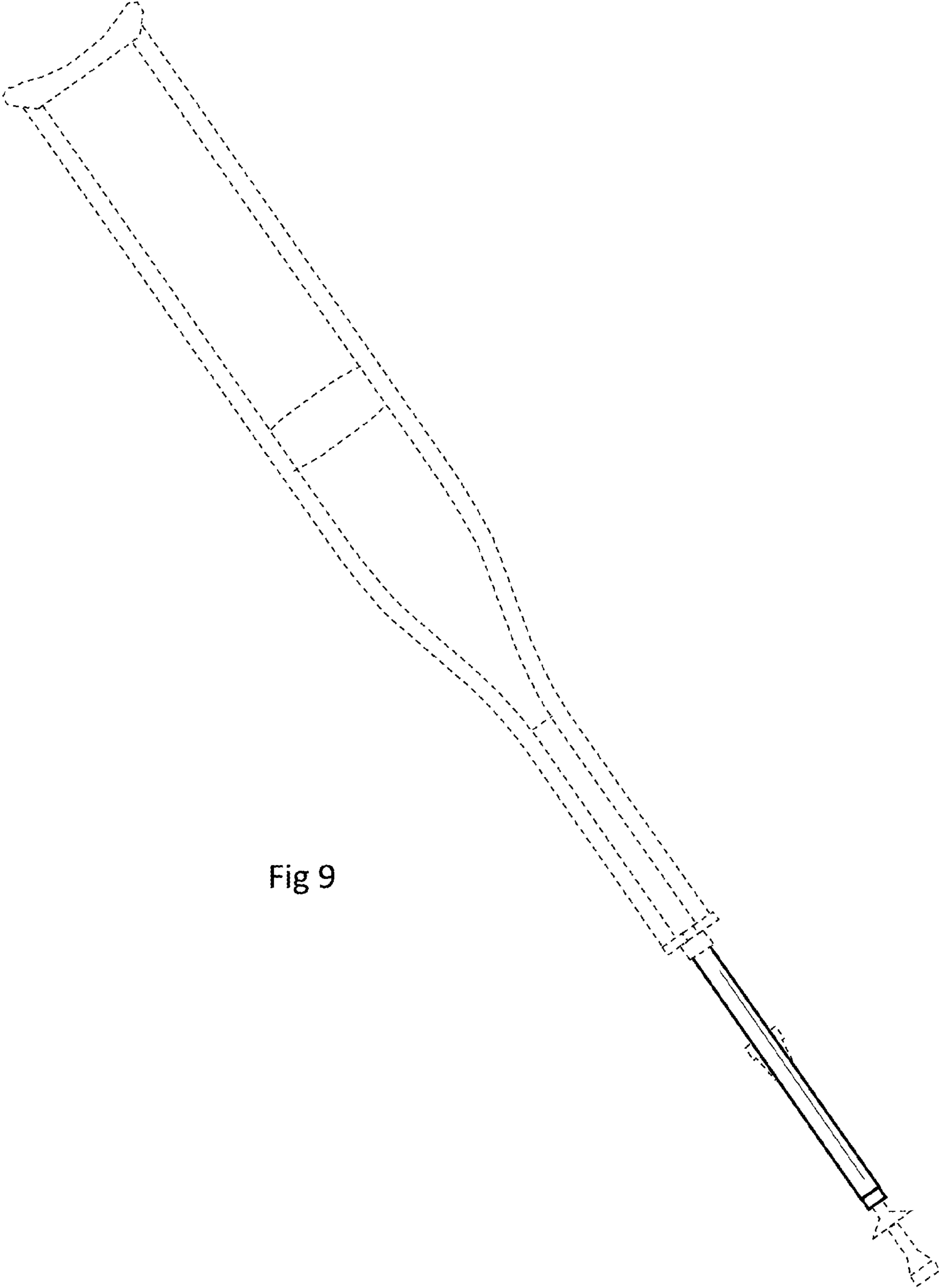


Fig 9

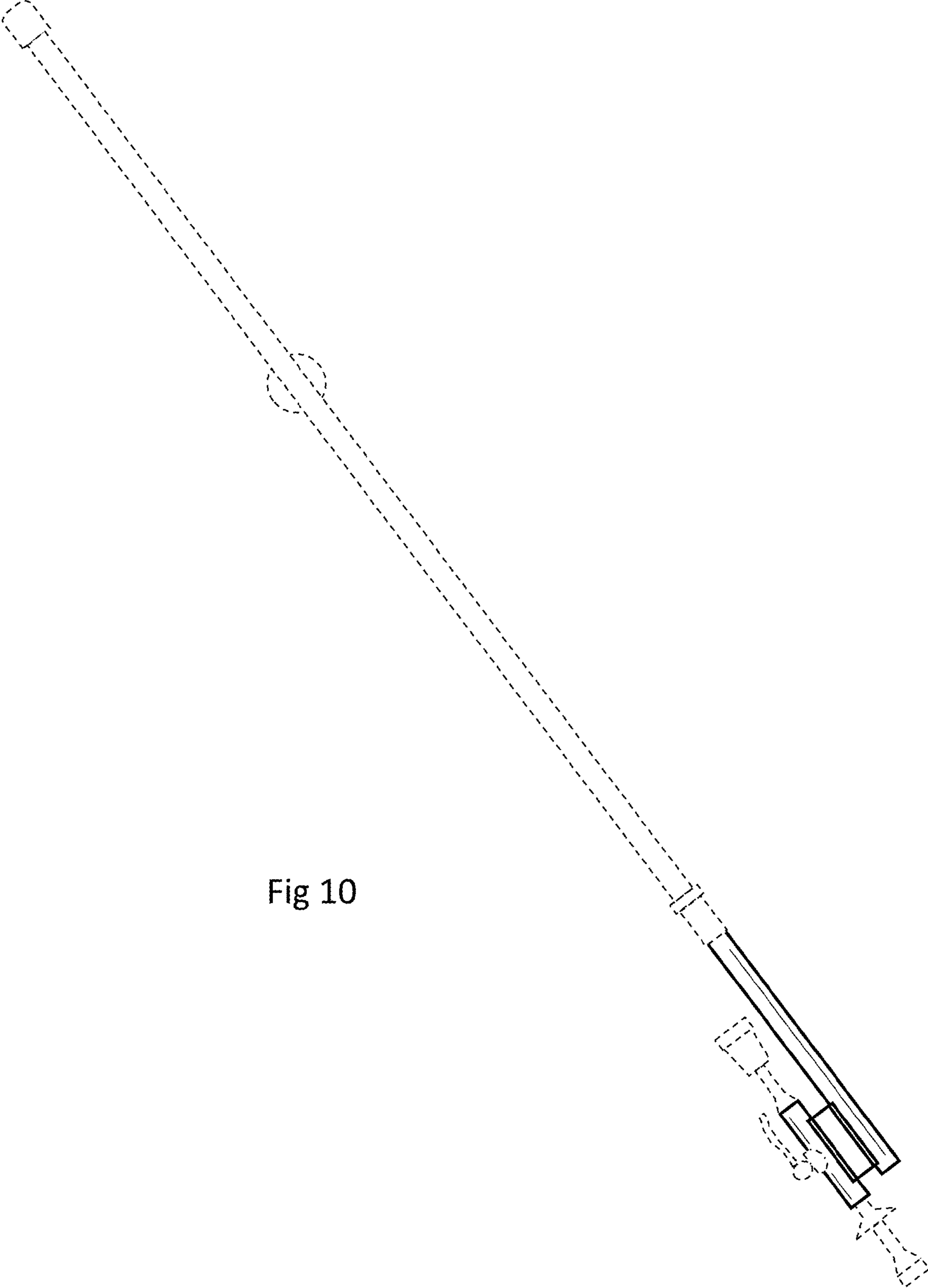


Fig 10

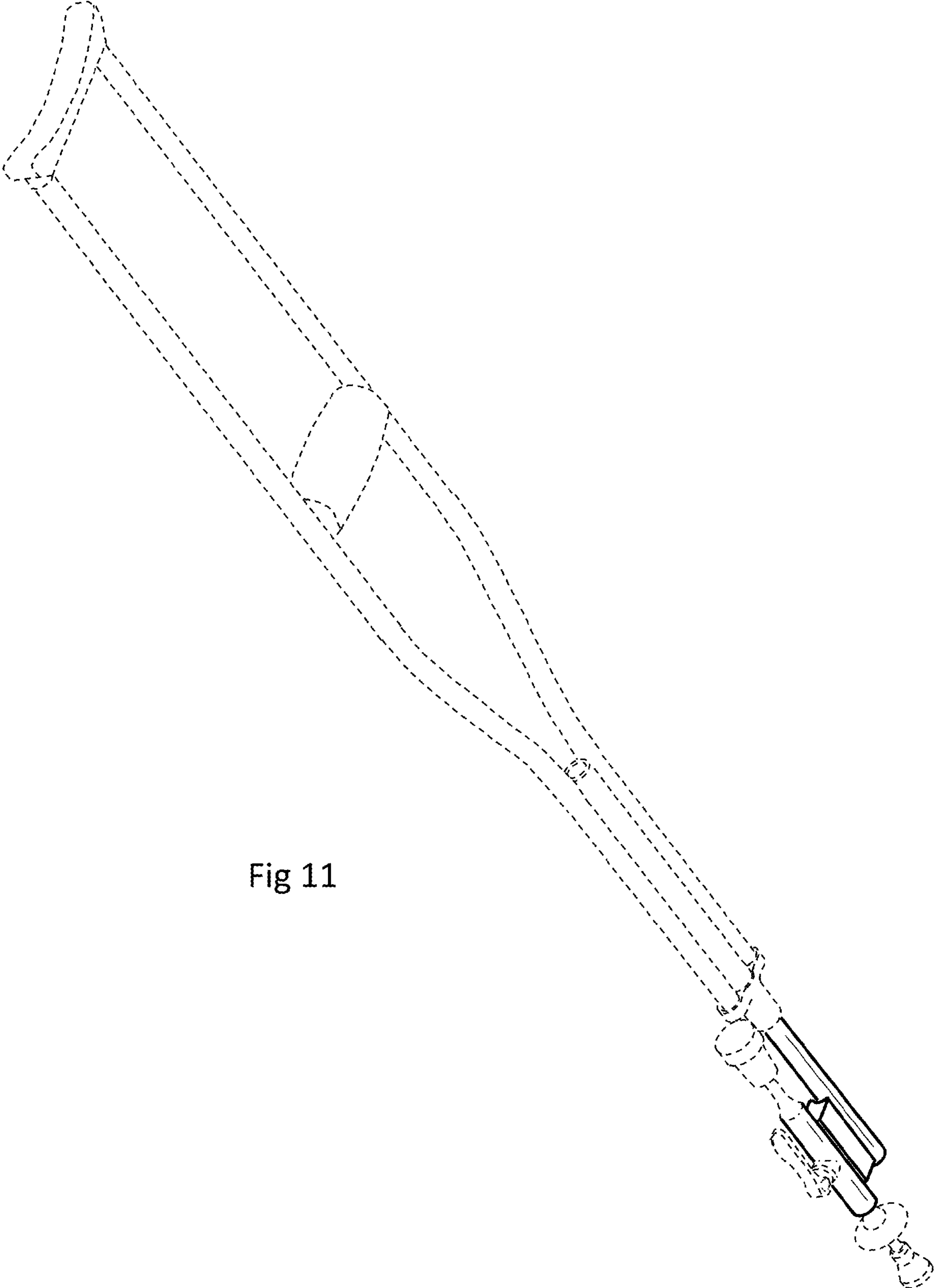


Fig 11

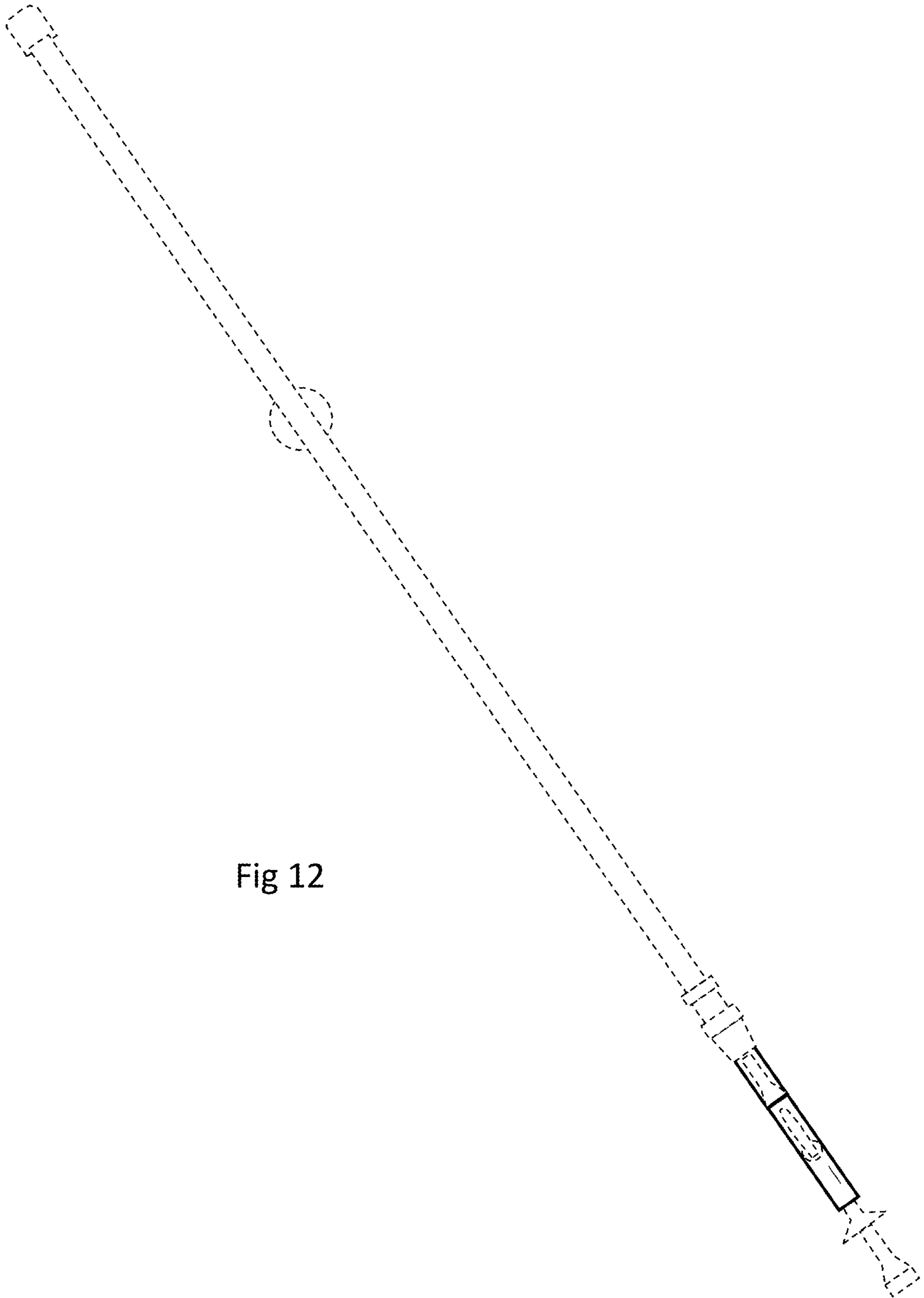


Fig 12

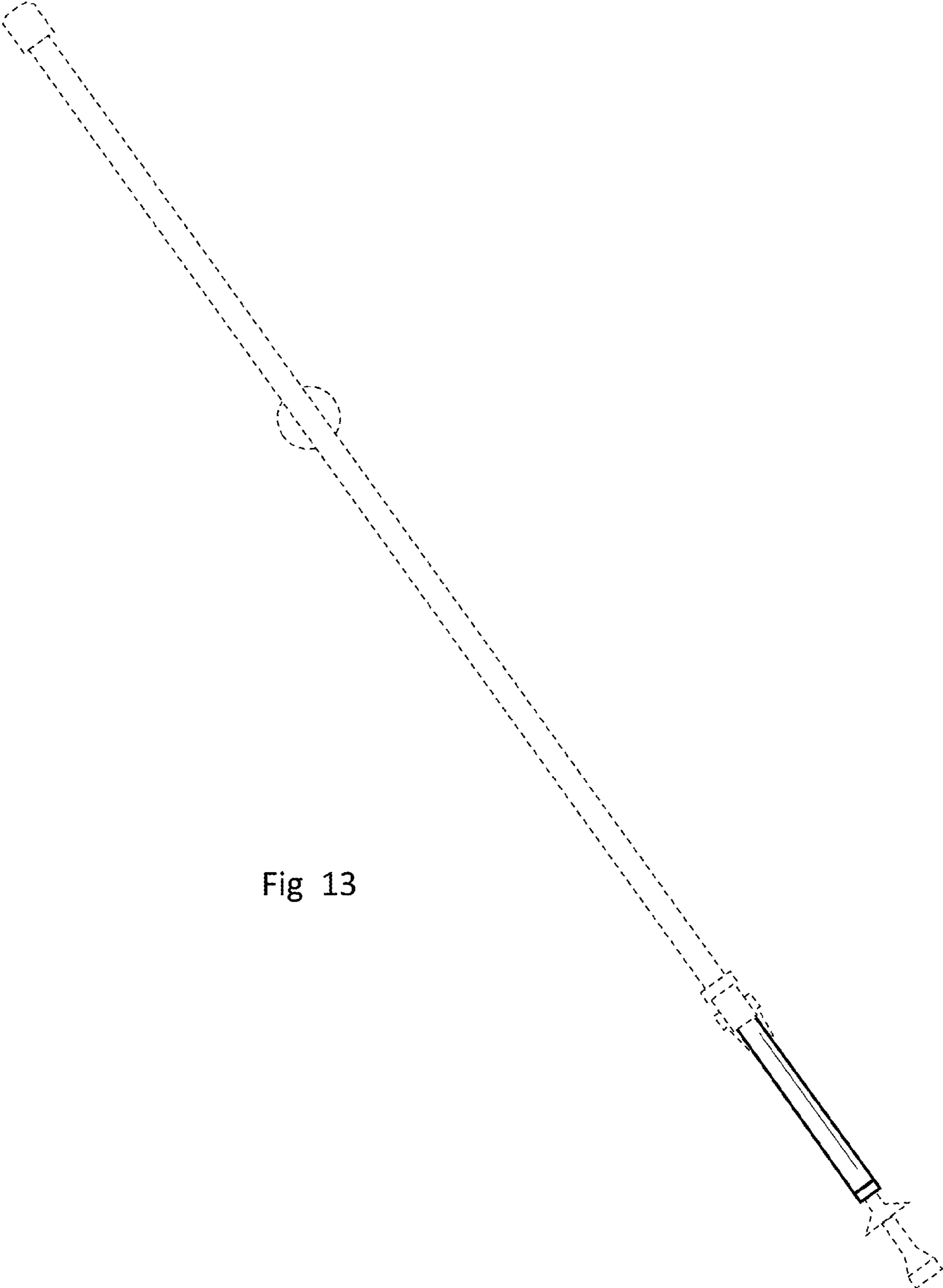


Fig 13

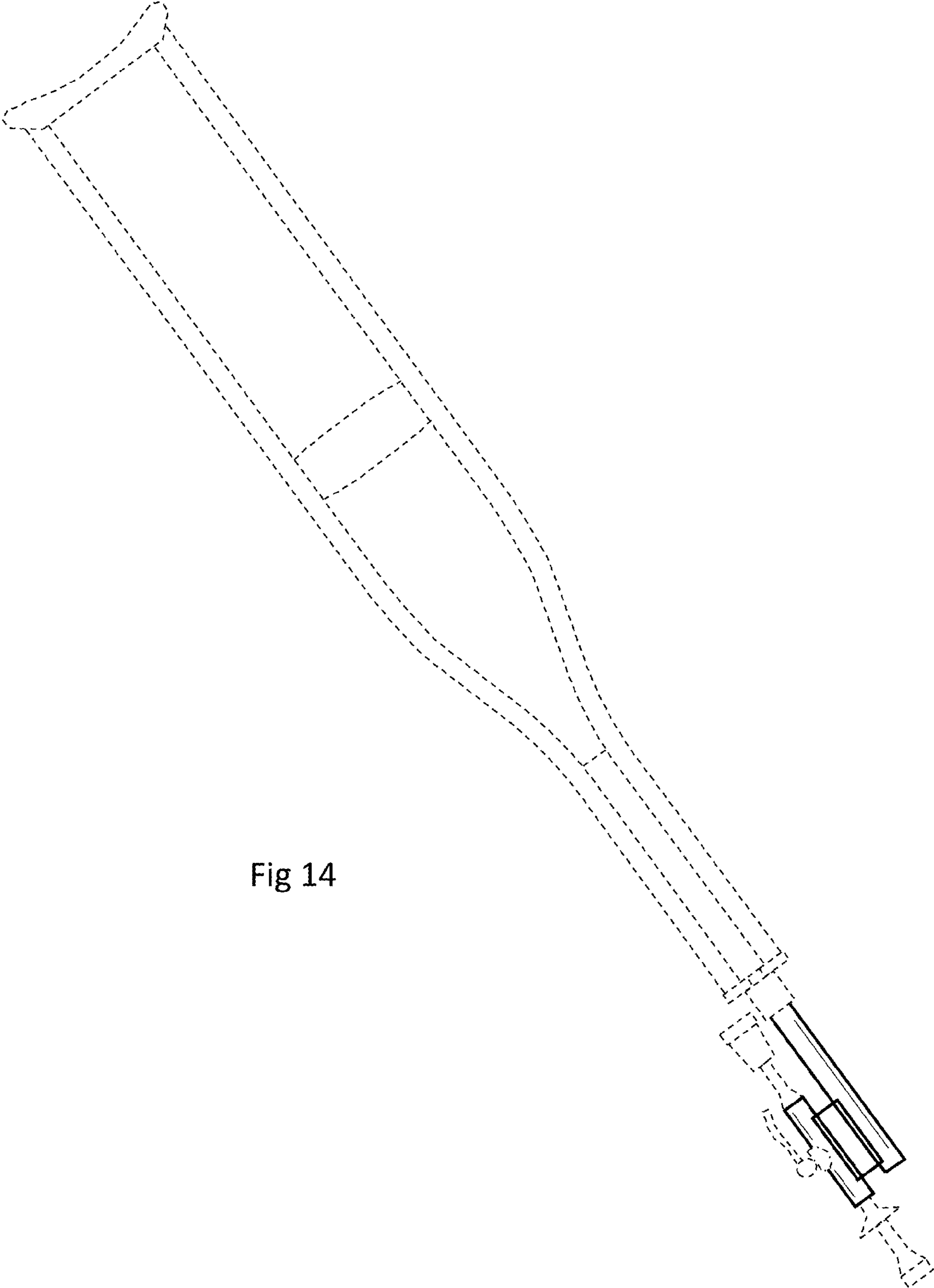


Fig 14

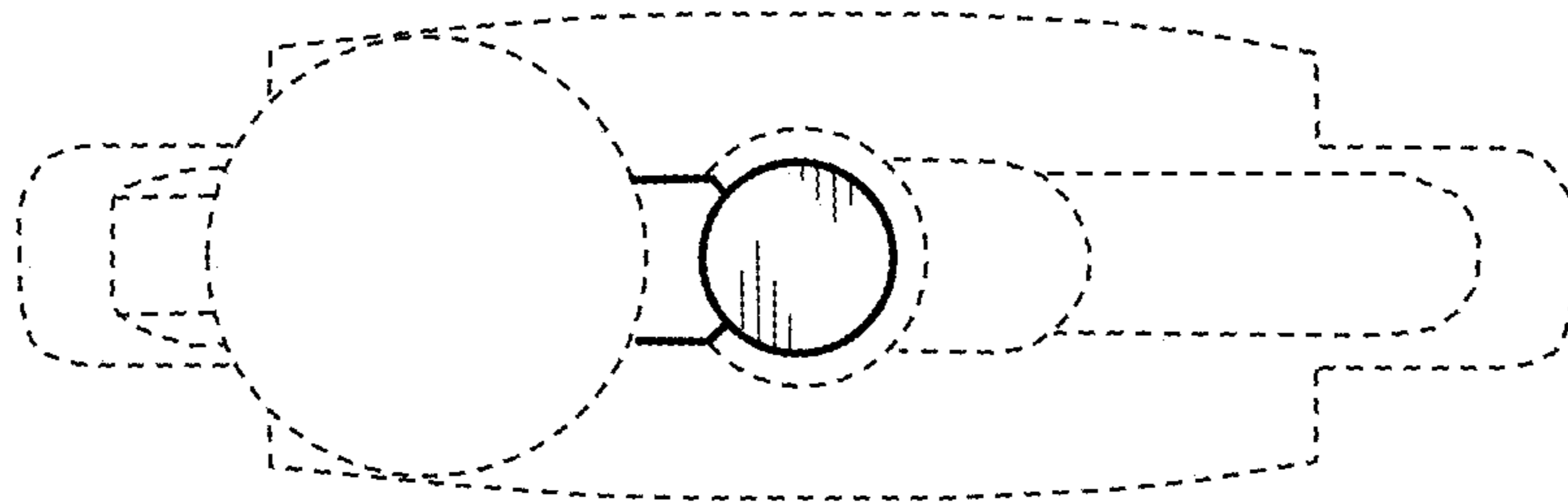


Fig 15

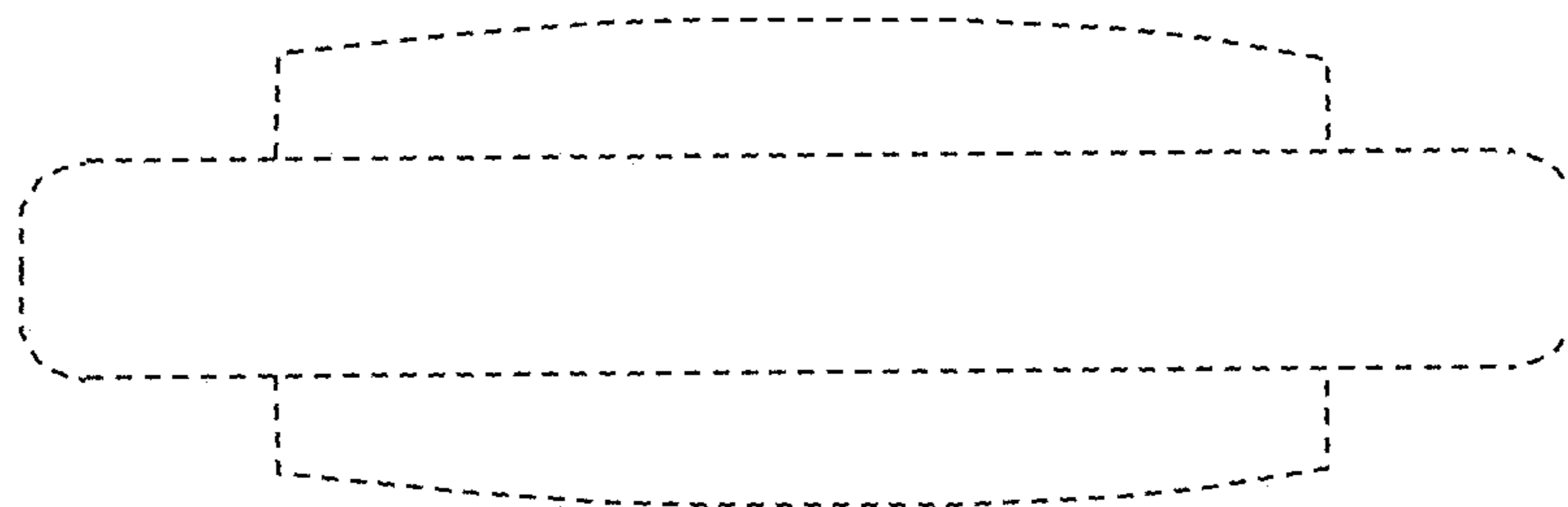


Fig 16

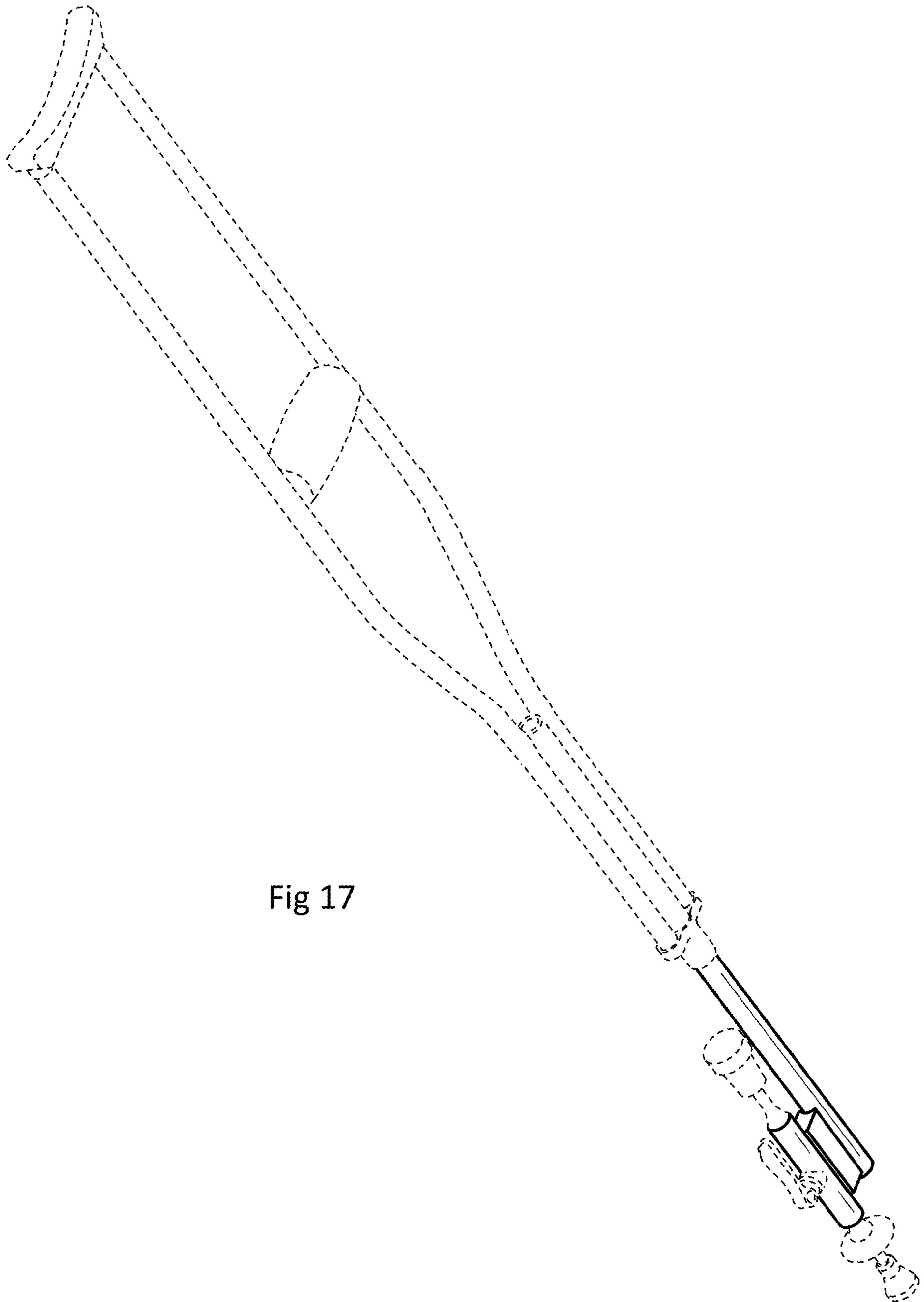


Fig 17

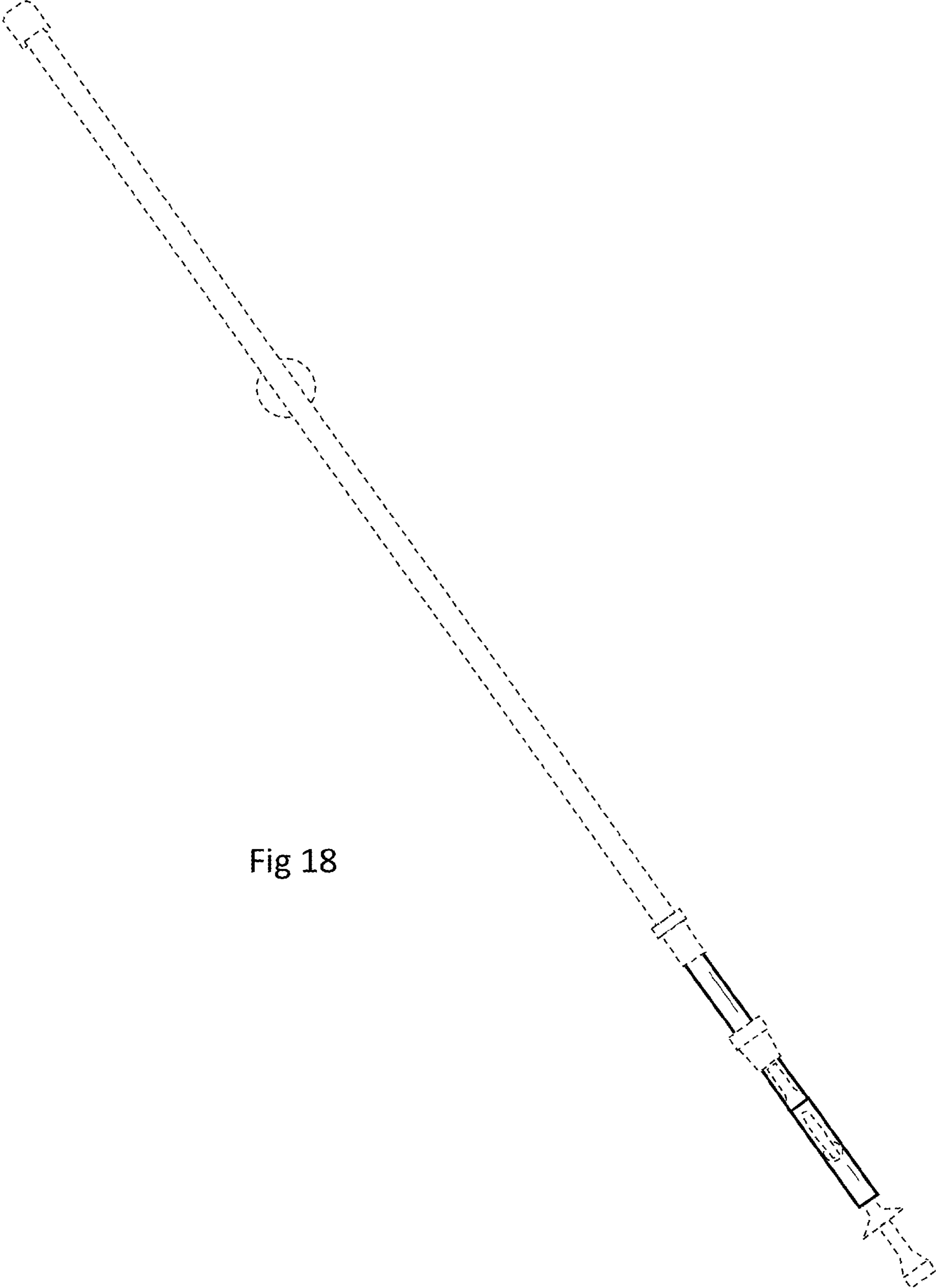


Fig 18

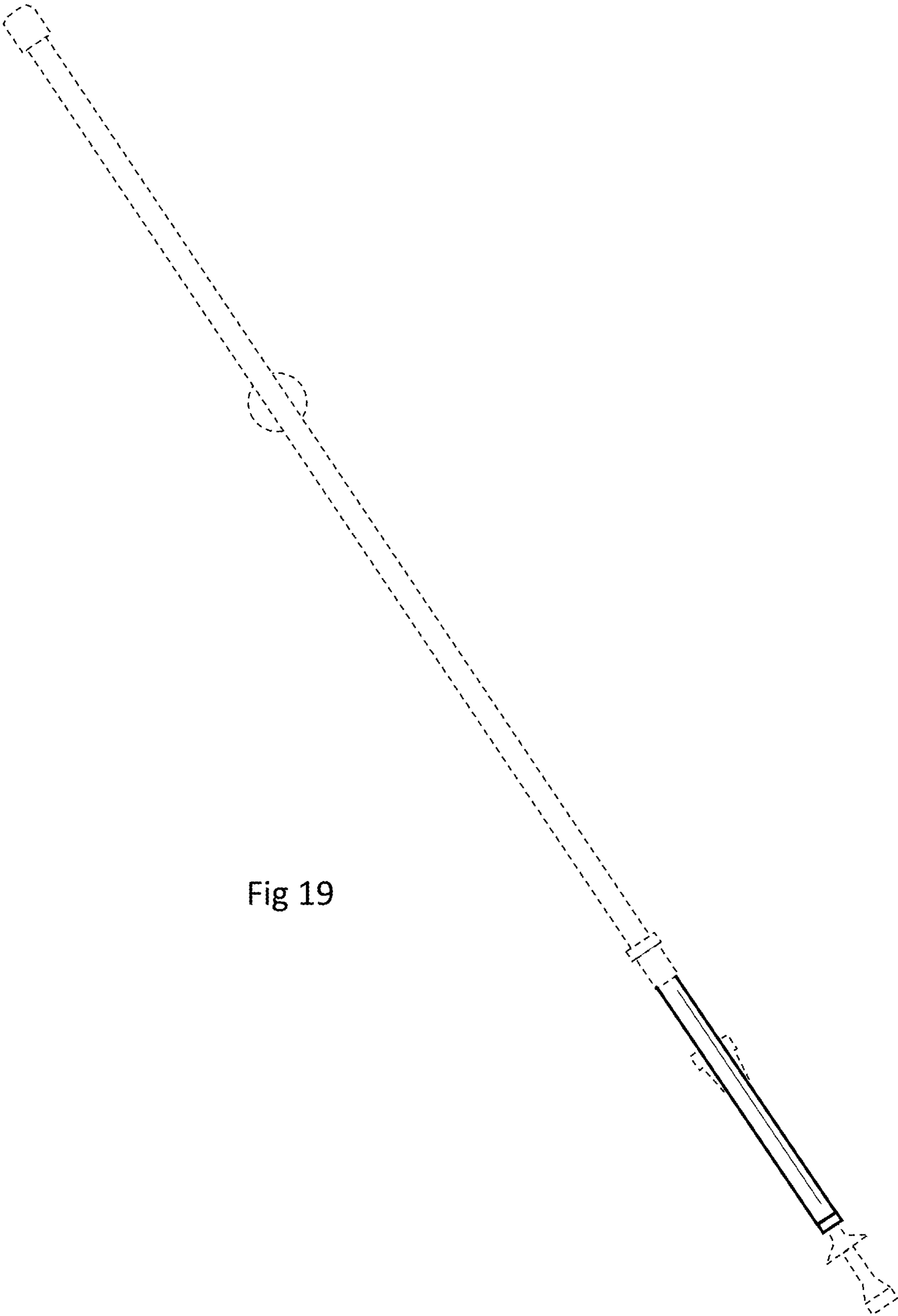


Fig 19

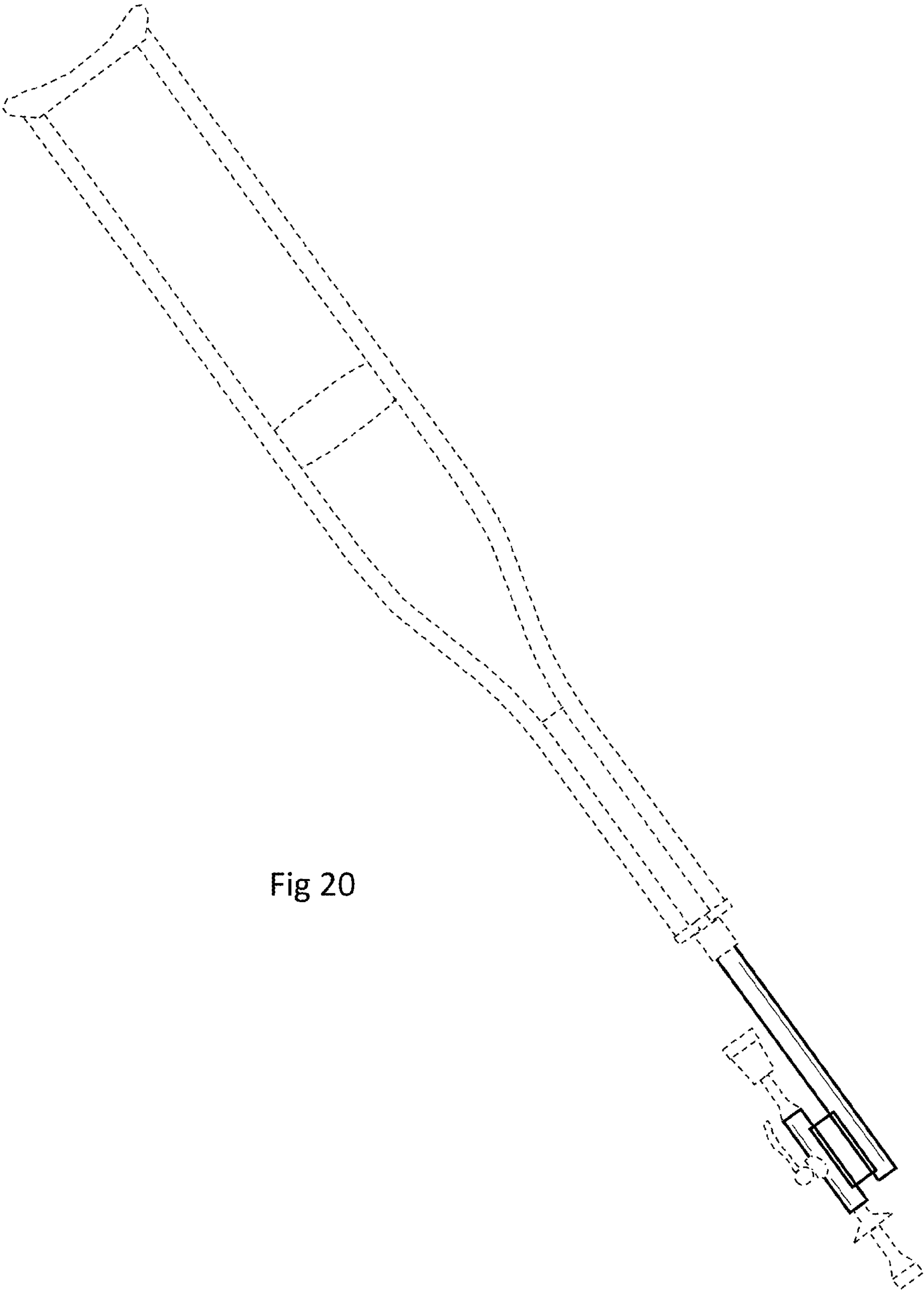


Fig 20