



US00D930957S

(12) **United States Design Patent** (10) **Patent No.:** **US D930,957 S**
Owen et al. (45) **Date of Patent:** **** Sep. 21, 2021**

(54) **FOOTWEAR ARTICLE**

- (71) Applicant: **Fuerst Group, Inc.**, Menlo Park, CA (US)
- (72) Inventors: **Scott Owen**, Portland, OR (US); **Alicia Wood**, Portland, OR (US)
- (73) Assignee: **Fuerst Group, Inc.**, Menlo Park, CA (US)
- (**) Term: **15 Years**
- (21) Appl. No.: **29/651,954**
- (22) Filed: **Jul. 27, 2020**

Related U.S. Application Data

- (62) Division of application No. 29/642,682, filed on Mar. 30, 2018, now Pat. No. Des. 893,852.
- (51) **LOC (13) Cl.** **02-04**
- (52) **U.S. Cl.**
USPC **D2/916**; D2/969; D2/944
- (58) **Field of Classification Search**
USPC D2/896, 898, 900, 903, 907, 916–923,
D2/942, 944, 945, 951, 969, 971
CPC A43B 1/04; A43B 3/12; A43B 3/16; A43B
3/10
See application file for complete search history.

(56) **References Cited**

U.S. PATENT DOCUMENTS

- 1,877,080 A 9/1932 Teshima
 - D91,998 S 4/1934 Heilbrunn
 - D91,999 S 4/1934 Heilbrunn
- (Continued)

FOREIGN PATENT DOCUMENTS

- JP 3038372 U 3/1997
- KR 201998068775 U 12/1998

OTHER PUBLICATIONS

ISA Korean Intellectual Property Office, International Search Report and Written Opinion Issued in Application No. PCT/US2013/069311, dated Feb. 11, 2014, WIPO, 11 pages.

Primary Examiner — Rashida C. Walshon

(74) *Attorney, Agent, or Firm* — McCoy Russell LLP

(57) **CLAIM**

The ornamental design for a footwear article, as shown and described.

DESCRIPTION

FIG. 1 is a top view of a footwear article according to the present invention.

FIG. 2 is an enlarged view of the portion of the footwear article circumscribed by a long dash-short dash broken line in FIG. 1 and identified by the reference number 2. The enlarged view shows a first opening in a pass-through sleeve in a top portion of the footwear article.

FIG. 3 is an enlarged view of the portion of the footwear article circumscribed by a long dash-short dash broken line in FIG. 1 and identified by the reference number 3. The enlarged view shows a second opening in the pass-through sleeve in the top portion of the footwear article.

FIG. 4 is a left side view of the footwear article.

FIG. 5 is a right side view of the footwear article.

FIG. 6 is a front view of the footwear article.

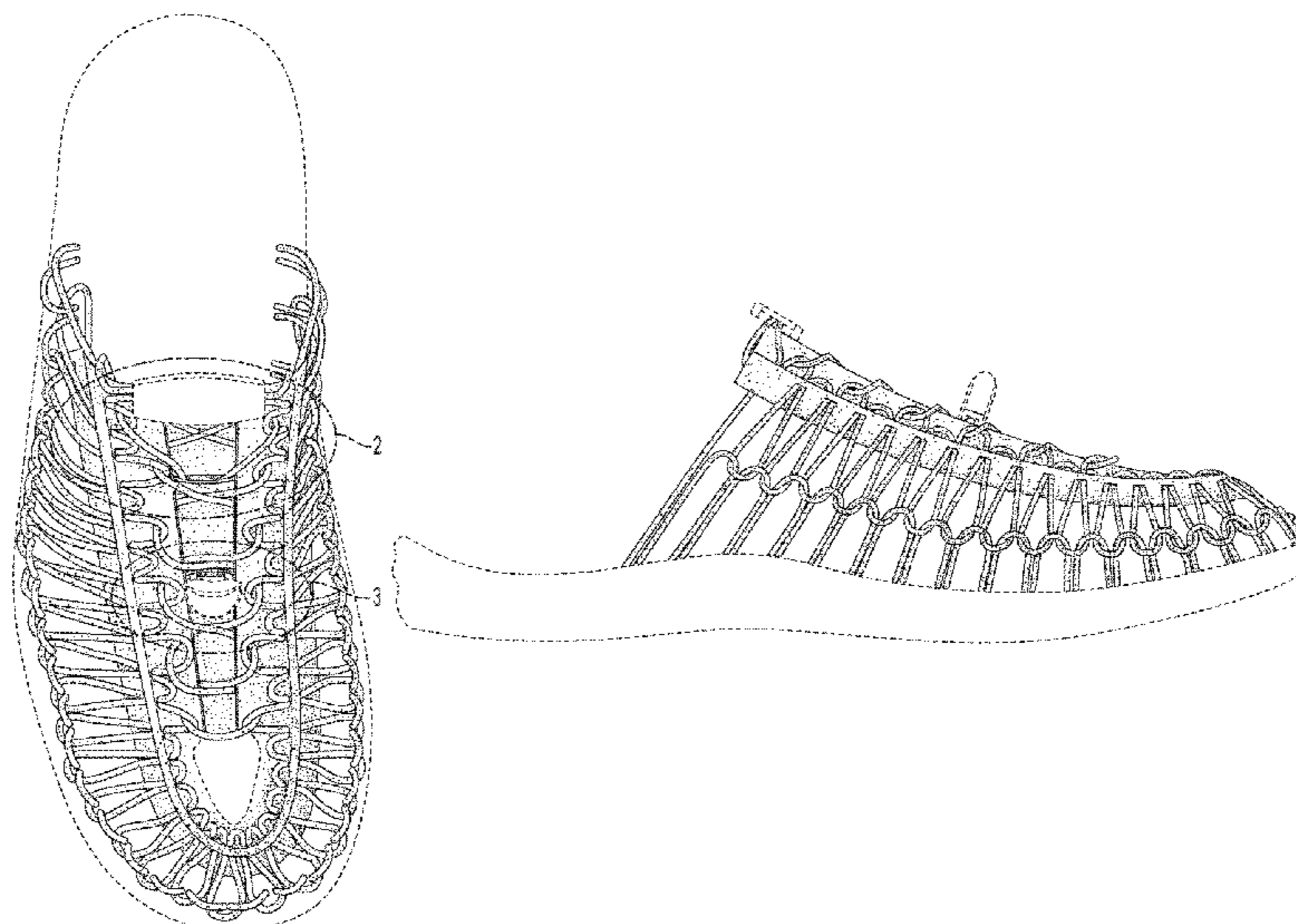
FIG. 7 is a back view of the footwear article.

FIG. 8 is a back and right perspective view of the footwear article.

FIG. 9 is a top perspective view of the footwear article; and, FIG. 10 is a bottom view of the footwear article.

The broken lines in the drawings illustrate portions of the footwear article that form no part of the claimed design. One or more toggle lace cords pass through the first opening and the second opening of the pass-through sleeve in the top portion of the footwear article (e.g., portion covering a top portion of a foot).

1 Claim, 9 Drawing Sheets



(56)

References Cited

U.S. PATENT DOCUMENTS

D95,097 S	4/1935	Weidner	
D95,204 S	4/1935	Hafin	
D97,677 S	12/1935	Goldberg	
D98,673 S	2/1936	Hyde	
D102,346 S	12/1936	Stein	
D108,658 S	3/1938	Dronoff	
D110,431 S	7/1938	Levin	
D110,850 S	8/1938	Rossi	
D112,307 S	11/1938	Levin	
D115,200 S	6/1939	Doree	
D127,607 S	6/1941	Varney	
D138,211 S	7/1944	Burrafato	
D163,019 S	4/1951	Braun	
D163,360 S	5/1951	Braun	
D164,847 S	10/1951	Dronoff	
D351,275 S	10/1994	Hatfield et al.	
D376,042 S *	12/1996	Cooper	D04B 5/00 D2/978
D391,068 S	2/1998	Aveni et al.	
D393,360 S	4/1998	Aveni et al.	
D437,475 S	2/2001	Kieler	
6,449,879 B1	9/2002	Fallon et al.	
D467,723 S	12/2002	Gerber et al.	

D529,704 S	10/2006	Choi	
7,204,042 B2	4/2007	Aveni	
7,293,371 B2	11/2007	Aveni	
7,540,097 B2	6/2009	Greene et al.	
7,703,220 B2	4/2010	Aveni	
8,051,581 B2	11/2011	Aveni	
D715,531 S *	10/2014	Cochrane	A43C 5/00 D2/973
8,898,931 B2 *	12/2014	Gerber	A43C 1/04 36/50.1
D737,561 S	9/2015	Aveni et al.	
D740,539 S *	10/2015	Yun	D2/972
D769,590 S	10/2016	Aveni et al.	
D798,565 S	10/2017	Aveni et al.	
10,092,060 B2	10/2018	Aveni et al.	
10,136,701 B2 *	11/2018	Klein	A43B 23/025
D836,305 S	12/2018	Androschuk et al.	
10,390,584 B2	8/2019	Fuerst, Jr. et al.	
10,470,524 B2 *	11/2019	Doenges	A43C 5/00
2006/0059715 A1	3/2006	Aveni	
2011/0041359 A1	2/2011	Dojan et al.	
2012/0017468 A1	1/2012	Dojan et al.	
2012/0066931 A1	3/2012	Dojan et al.	
2014/0130372 A1 *	5/2014	Aveni	D04B 5/00 36/83

* cited by examiner

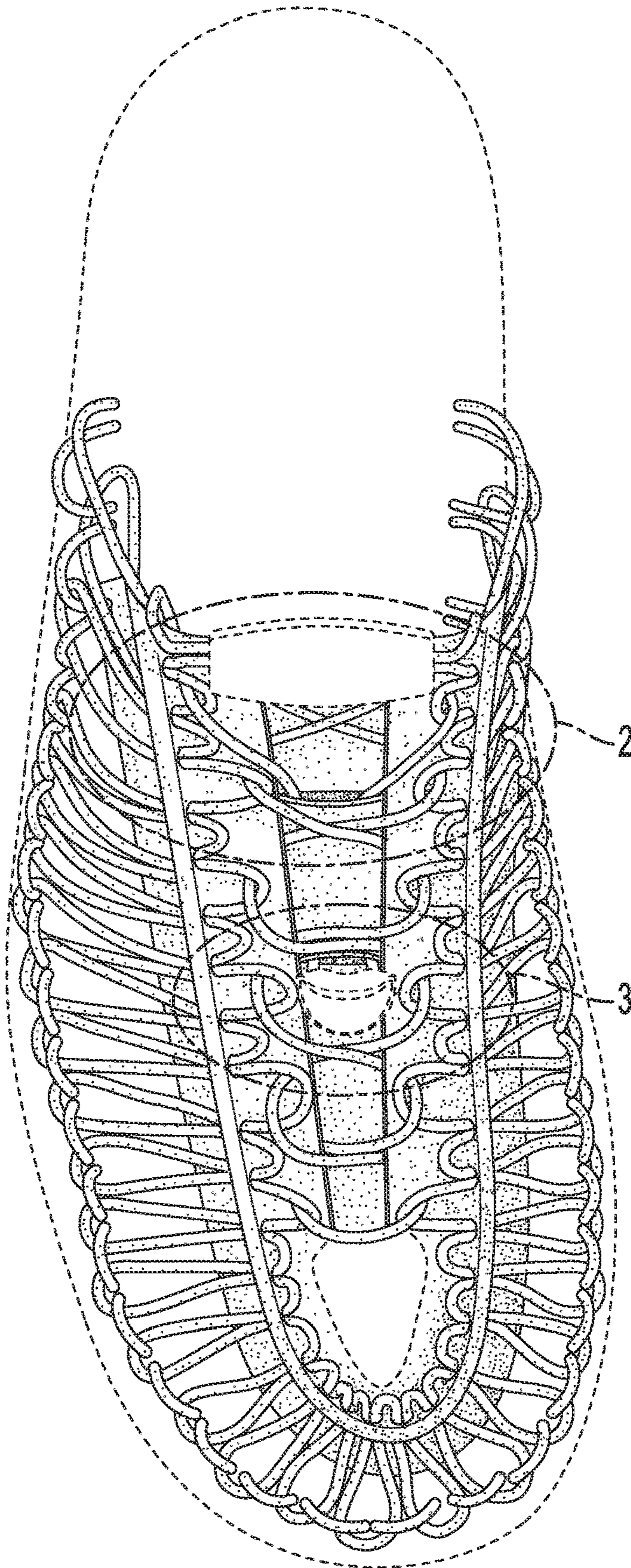


FIG. 1

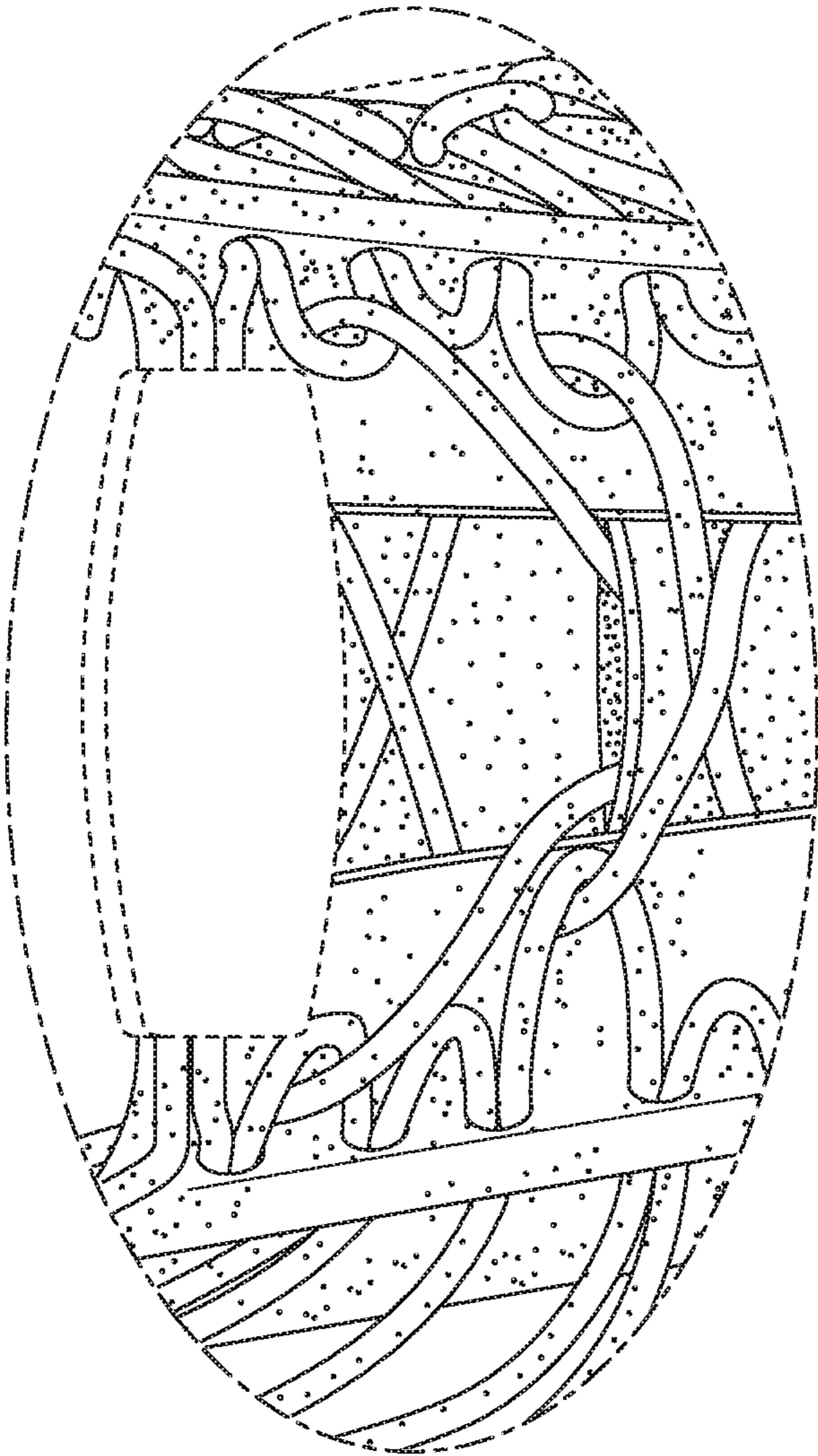


FIG. 2

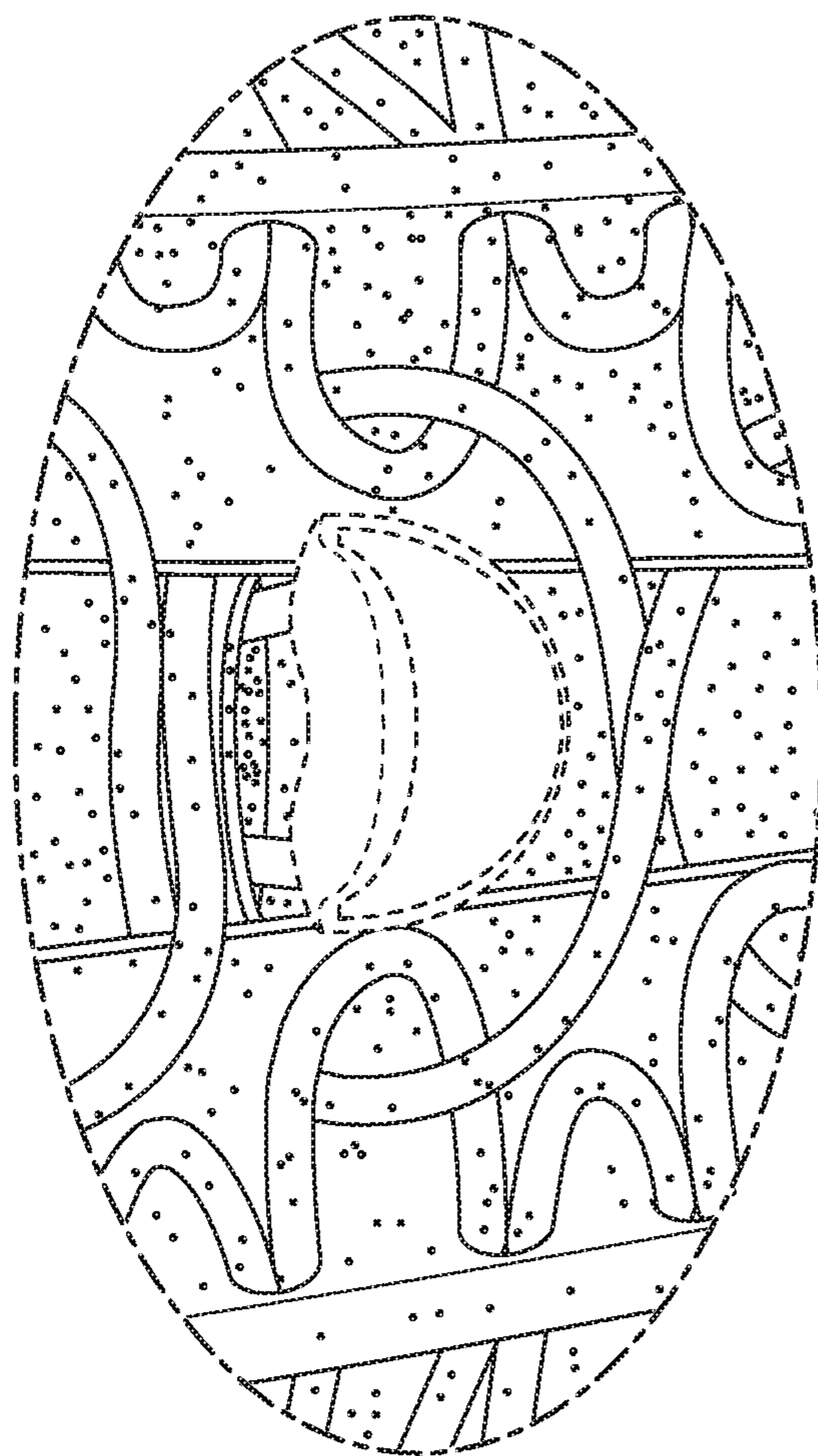


FIG. 3

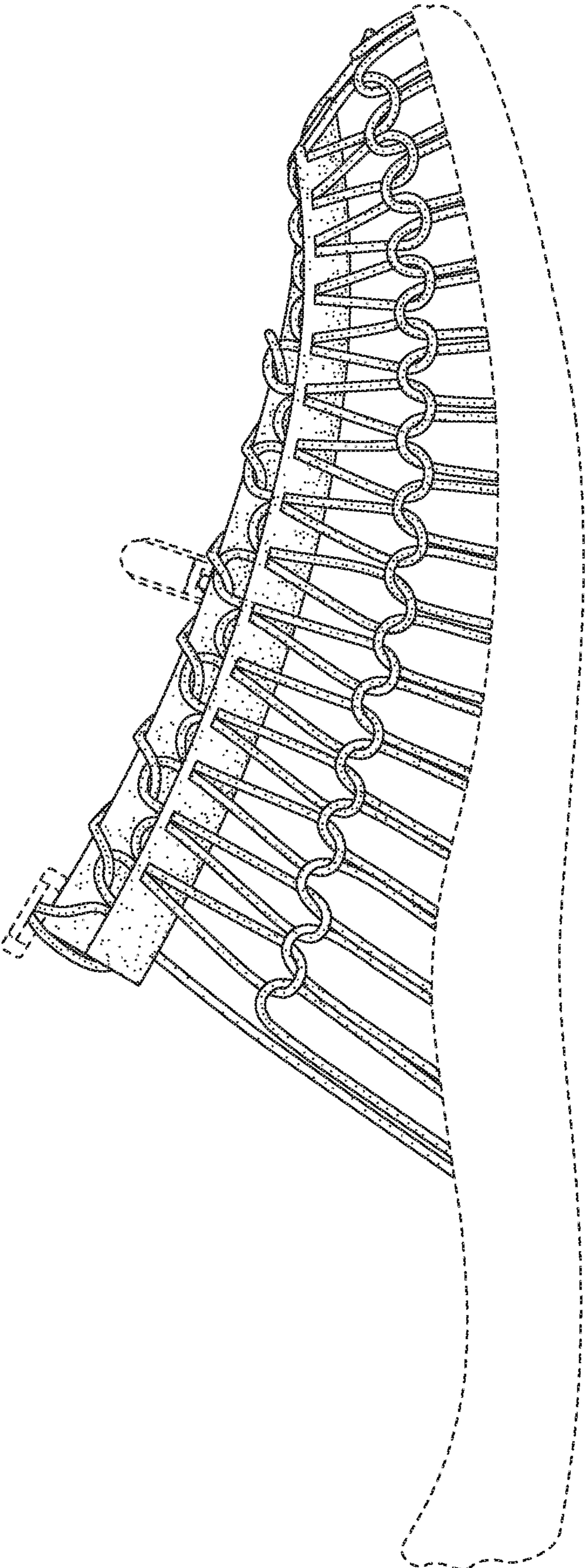


FIG. 4

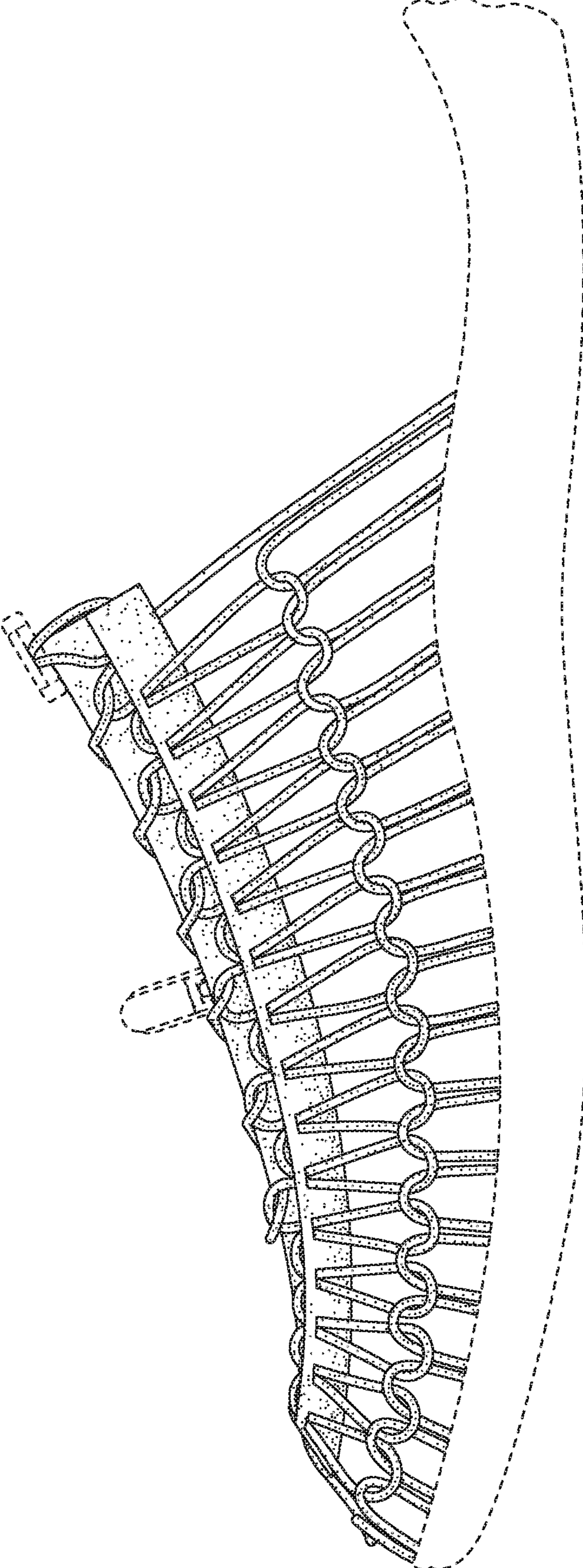


FIG. 5

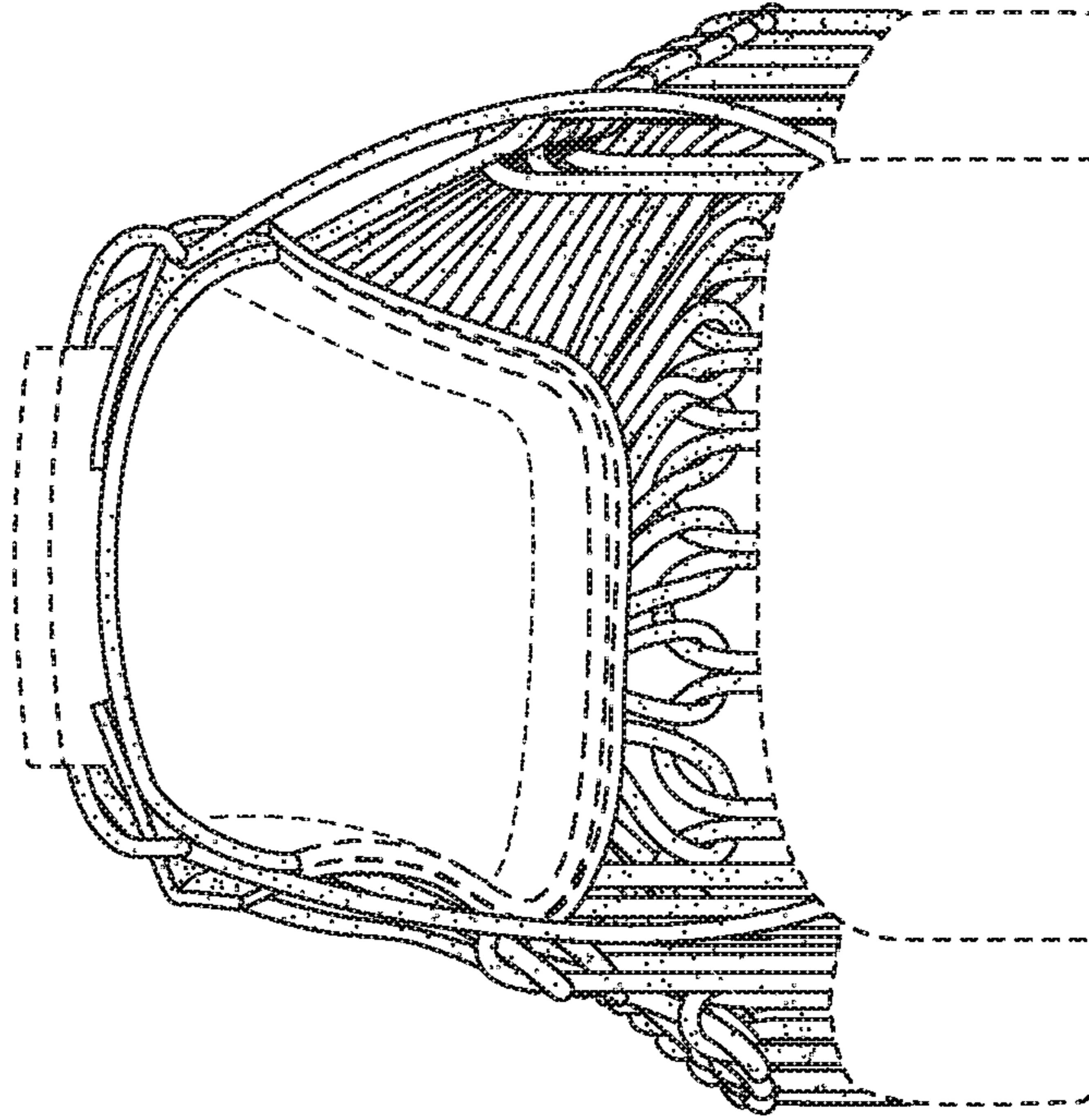


FIG. 7

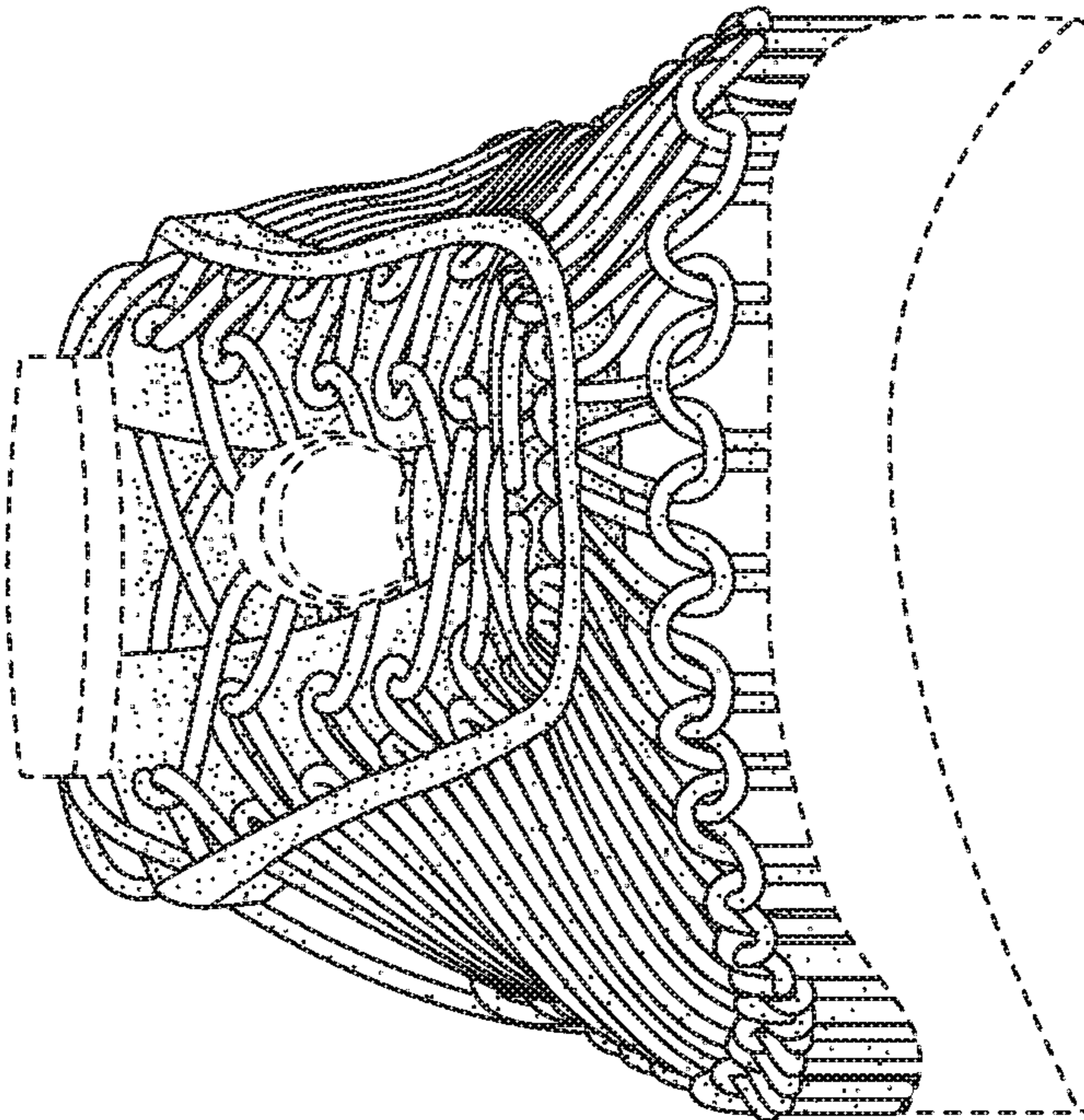


FIG. 6

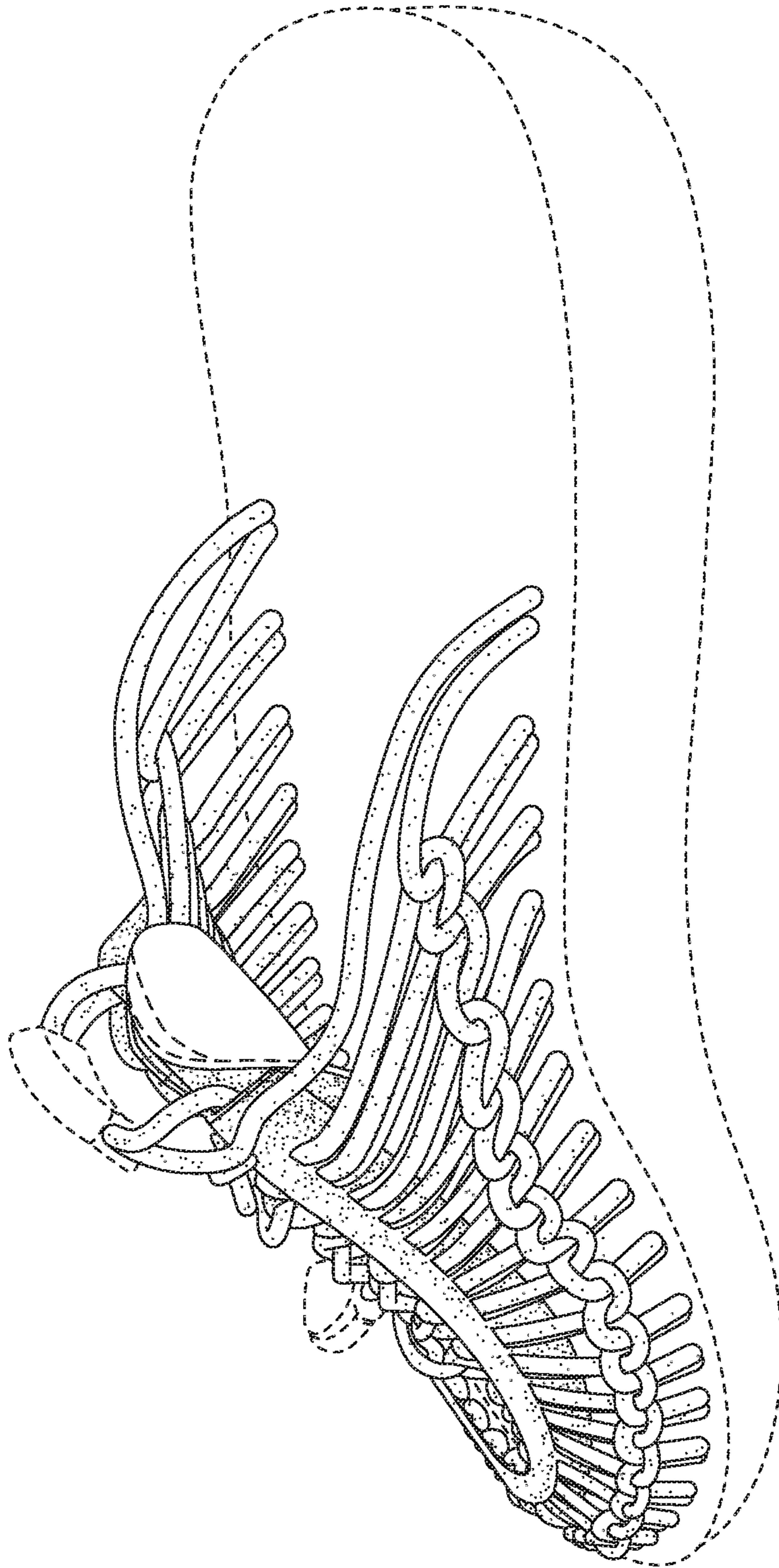


FIG. 8

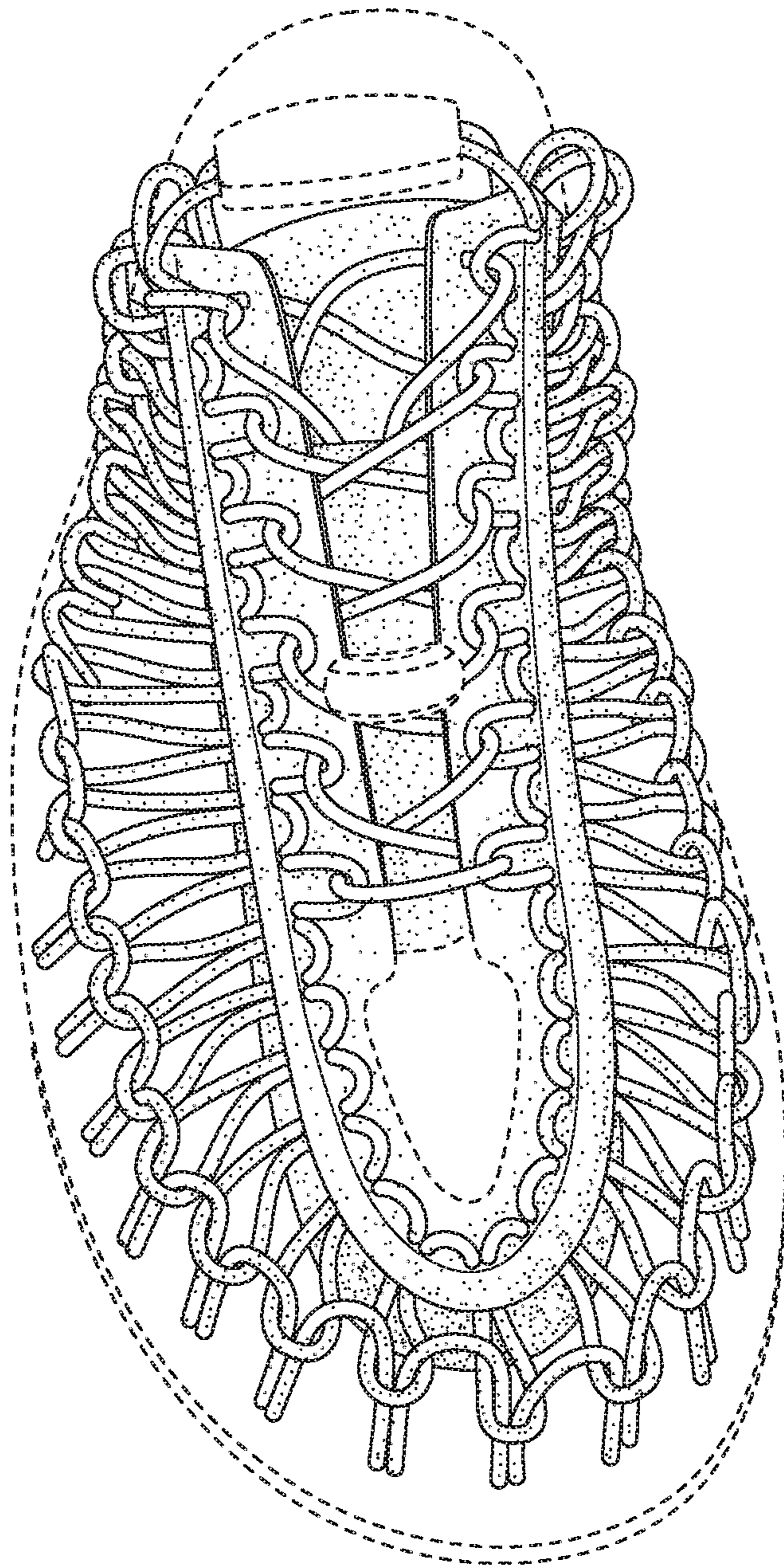


FIG. 9

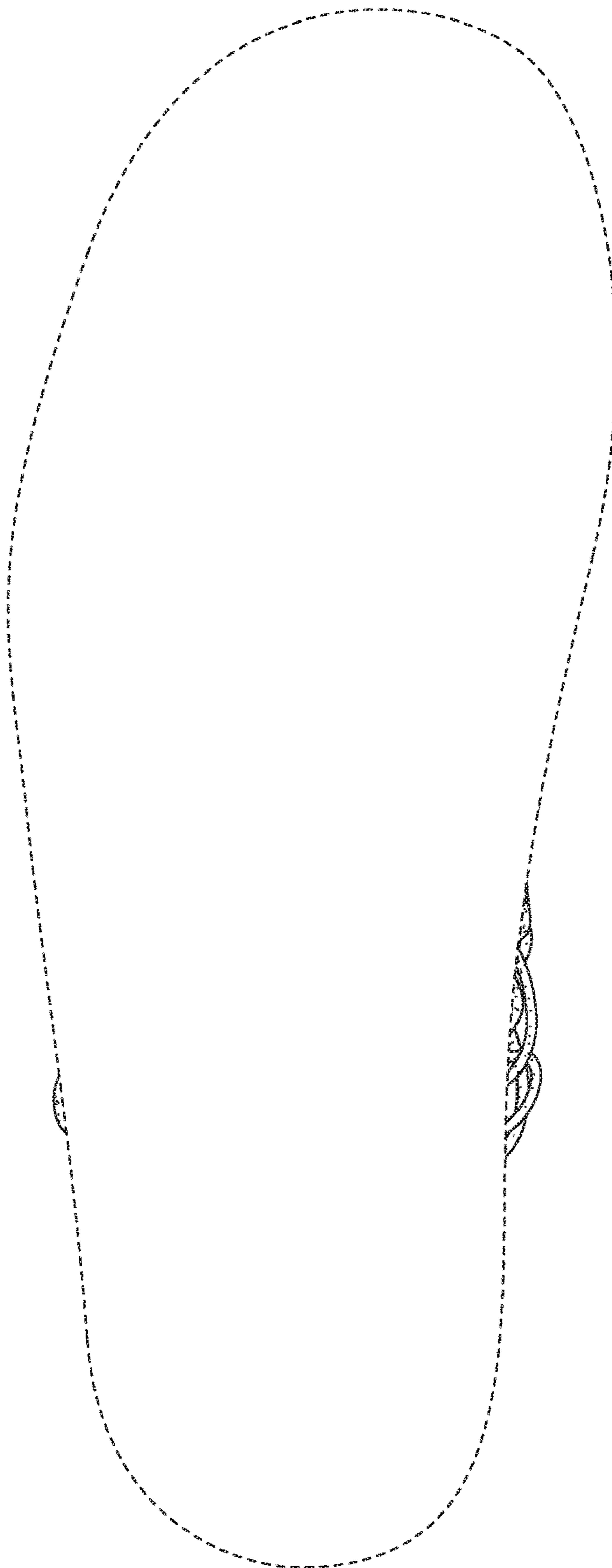


FIG. 10