



US00D930948S

(12) **United States Design Patent**
Parker

(10) **Patent No.:** **US D930,948 S**

(45) **Date of Patent:** **** Sep. 21, 2021**

(54) **UNDERGARMENT**

(71) Applicant: **April Parker**, West Bloomfield, MI
(US)

(72) Inventor: **April Parker**, West Bloomfield, MI
(US)

(**) Term: **15 Years**

(21) Appl. No.: **29/680,565**

(22) Filed: **Feb. 18, 2019**

(51) **LOC (13) Cl.** **02-01**

(52) **U.S. Cl.**

USPC **D2/700**

(58) **Field of Classification Search**

USPC D2/700-701, 706-708, 731, 736-737,
D2/728, 840; 450/1, 12

CPC A41C 3/00; A41C 3/0021; A41C 3/10;
A41B 1/00

See application file for complete search history.

(56) **References Cited**

U.S. PATENT DOCUMENTS

D410,688 S * 6/1999 Robinson D2/706

D584,879 S * 1/2009 Venus D2/706

D683,929 S * 6/2013 Bryan D2/701
D784,654 S * 4/2017 Arellanes D2/707
2019/0150525 A1* 5/2019 Arshava A41C 3/0064

* cited by examiner

Primary Examiner — Kevin K Rudzinski

Assistant Examiner — J. Thorn, Sr.

(74) *Attorney, Agent, or Firm* — Carlson, Gaskey & Olds,
P.C.

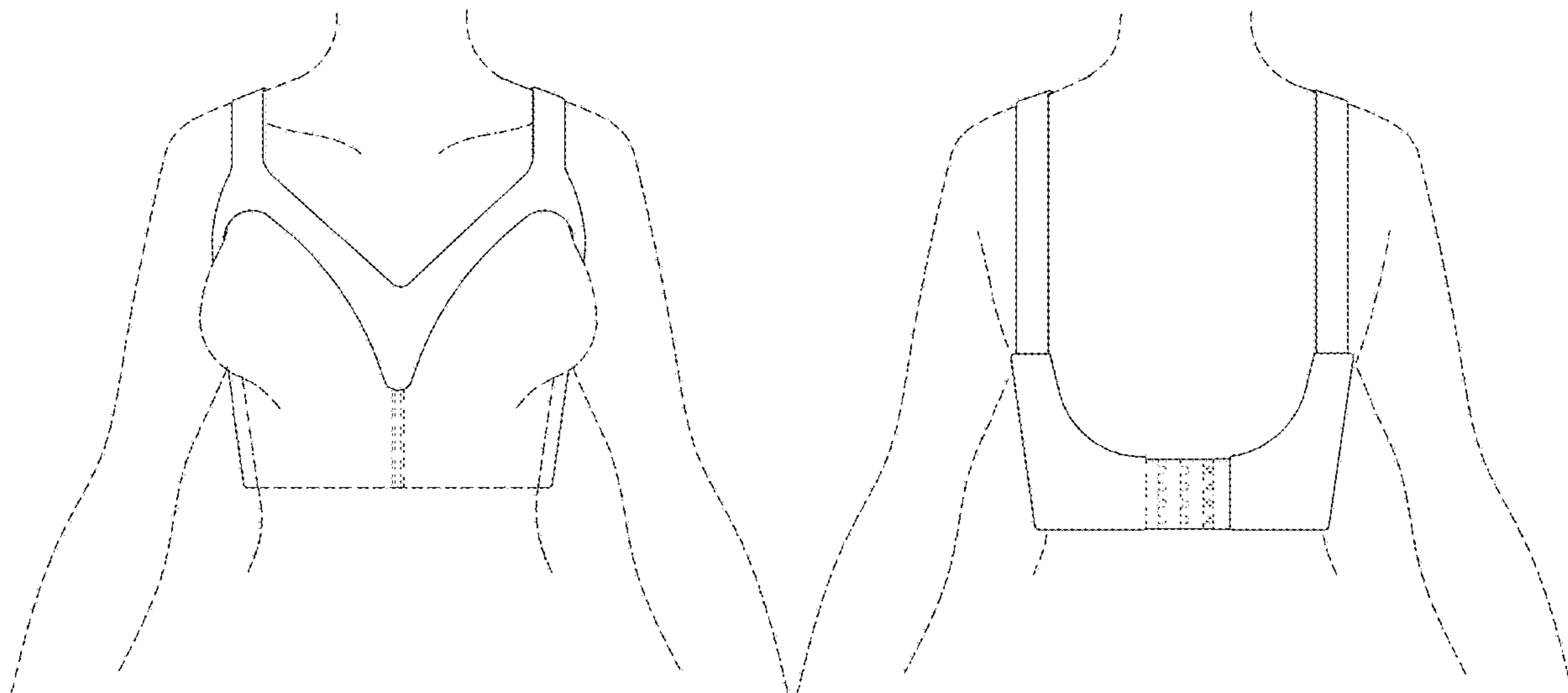
(57) **CLAIM**

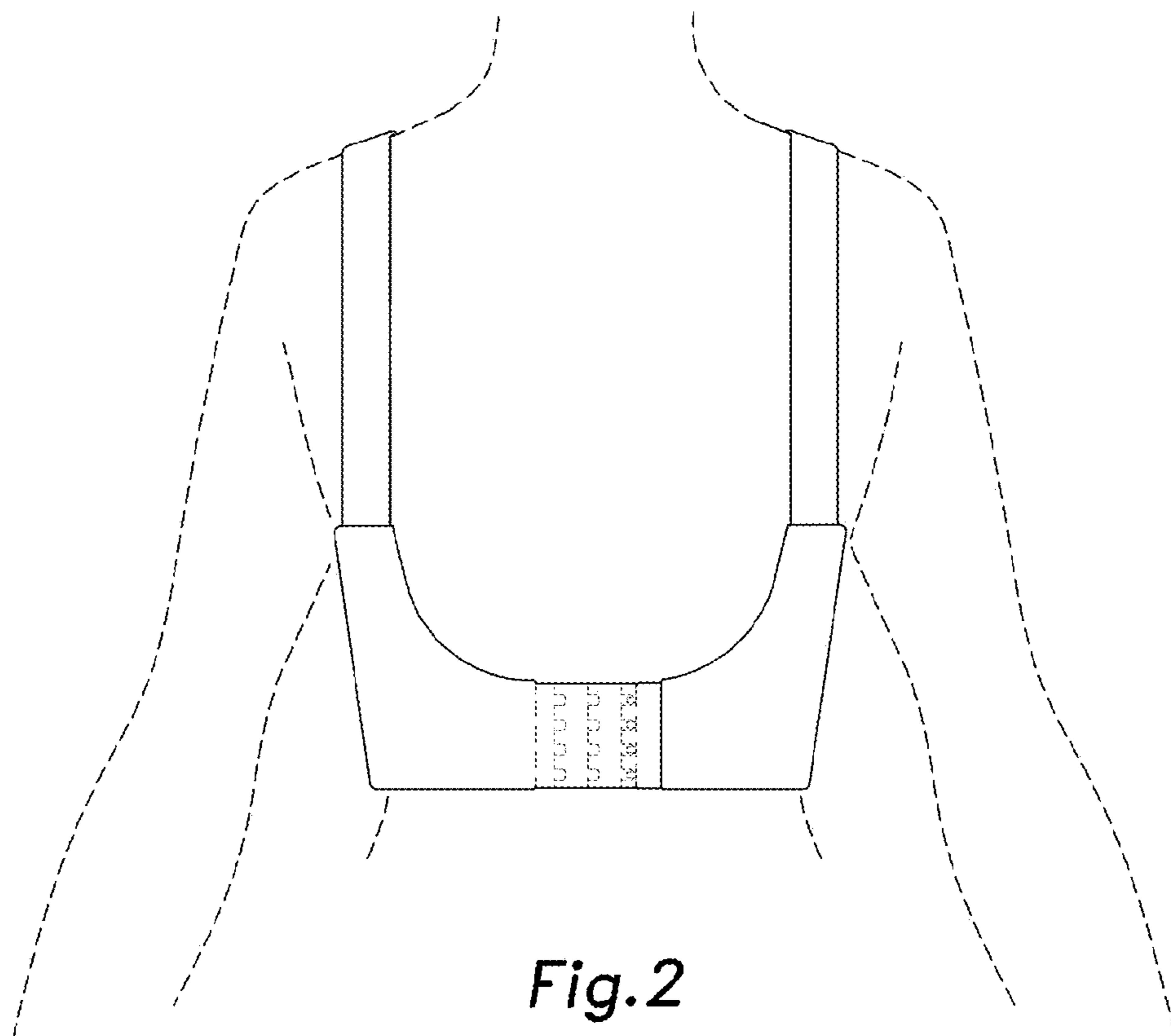
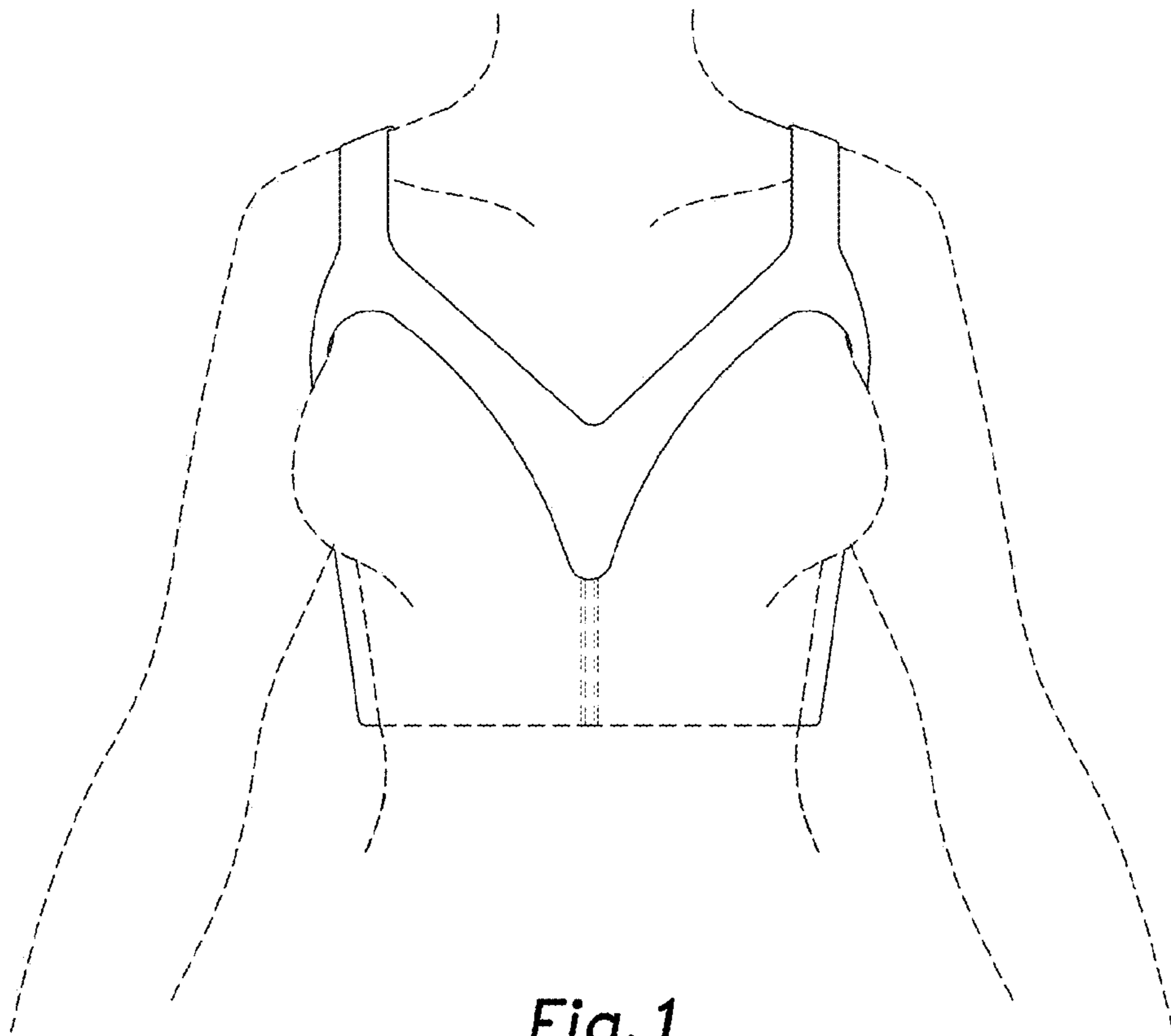
The ornamental design of an undergarment, as shown and described.

DESCRIPTION

FIG. 1 is a front view of an undergarment;
FIG. 2 is a rear view of the undergarment of FIG. 1;
FIG. 3 is a side view of the undergarment of FIG. 1; and,
FIG. 4 is a top view of the undergarment of FIG. 1.
The broken lines depicting a user and front shape of the undergarment are for the purpose of depicting the environment and use of the undergarment and form no part of the claimed design. The broken lines in FIGS. 2 and 3 depict a back clasp and stitching of the undergarment, respectively, and form no part of the claimed design. The small broken lines in FIG. 1 depict stitching of the undergarment that forms no part of the claimed design.

1 Claim, 2 Drawing Sheets





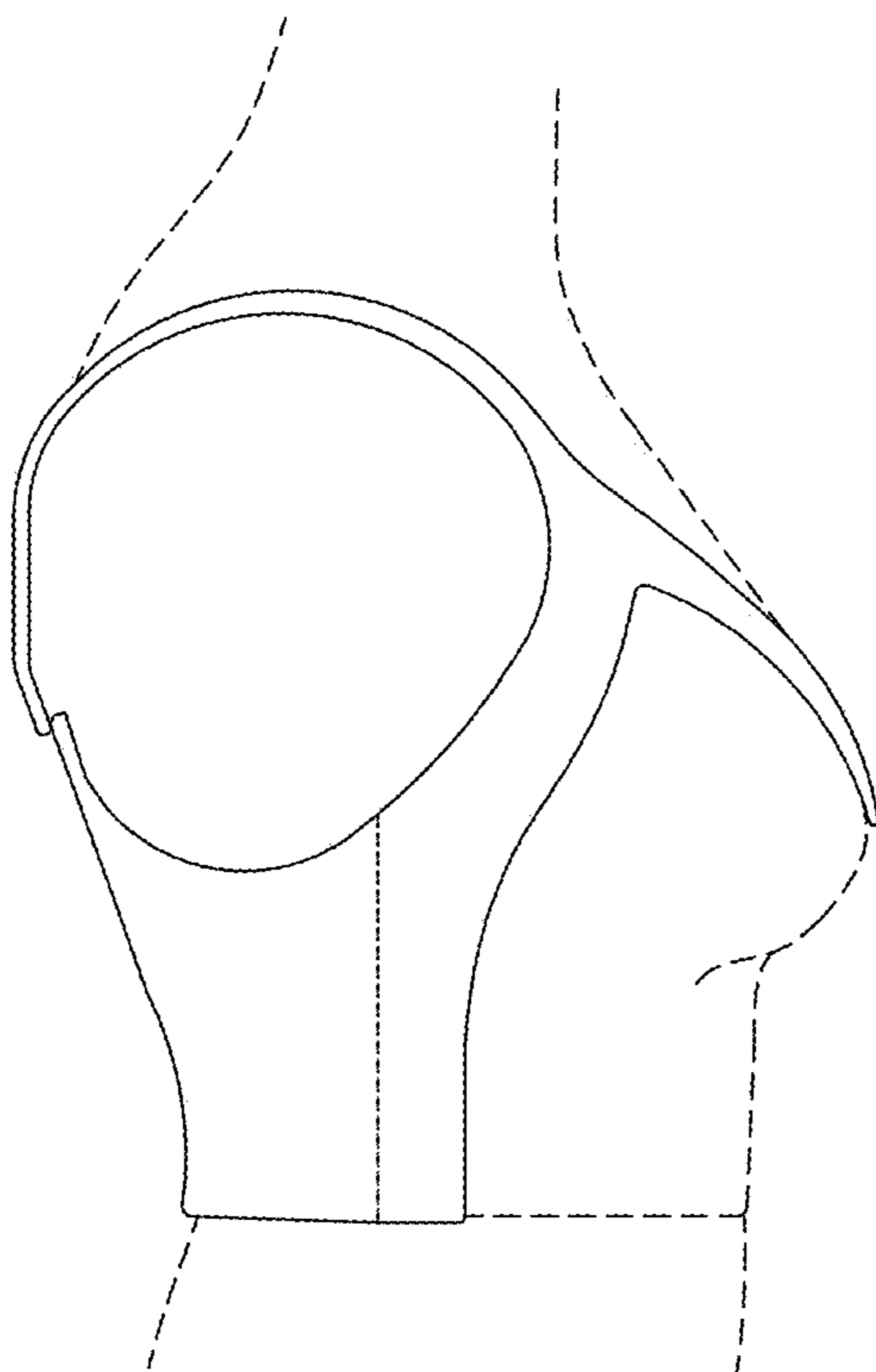


Fig.3

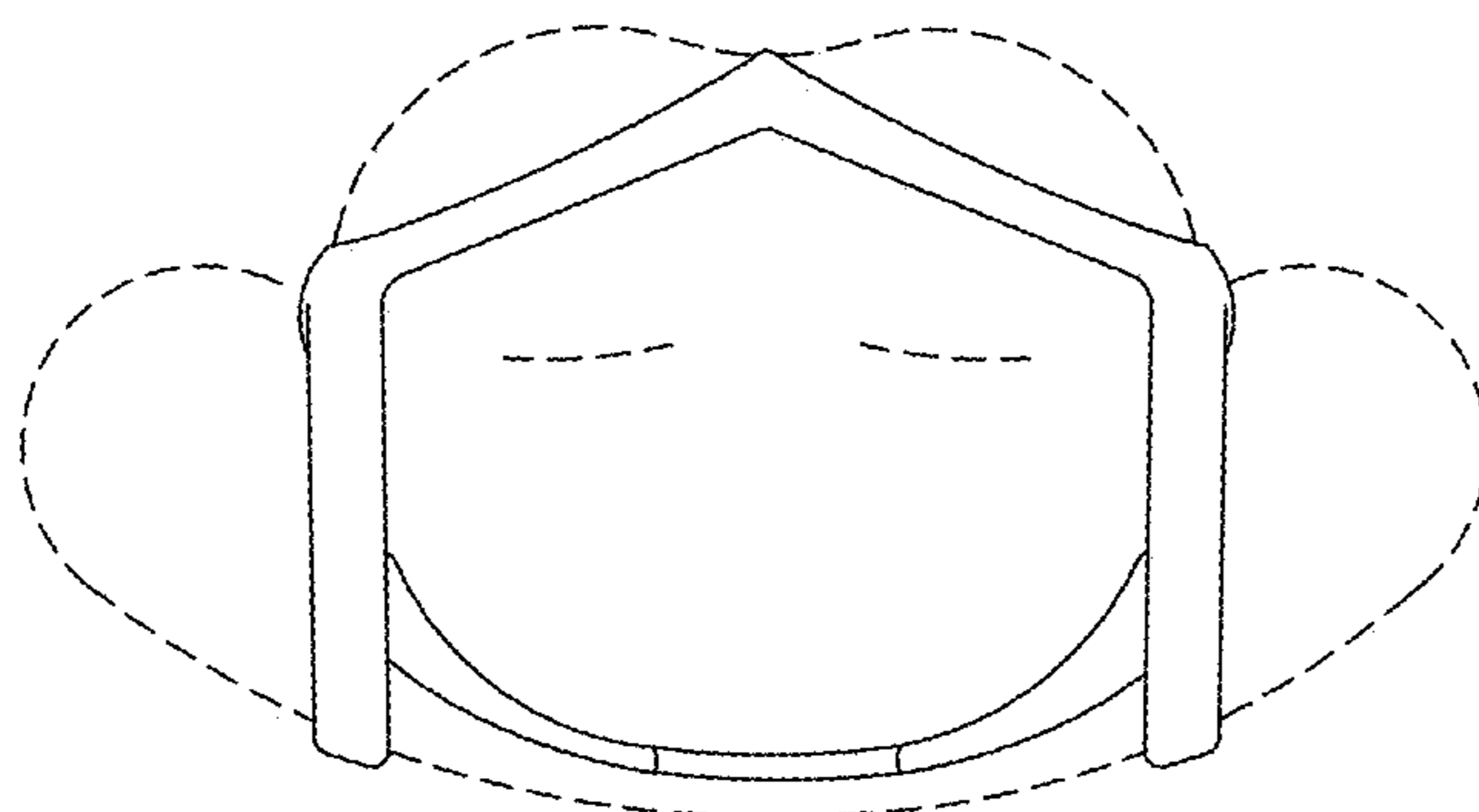


Fig.4