



US00D930946S

(12) **United States Design Patent** (10) **Patent No.:** **US D930,946 S**
Chen (45) **Date of Patent:** **** Sep. 21, 2021**

(54) **POWER STRIP**

D922,955 S * 6/2021 Chen D13/139.8
D922,956 S * 6/2021 Yan D13/139.8
D924,809 S * 7/2021 Chen D13/139.8

(71) Applicant: **CHIZHOU FENGPU
ELECTRONICS TECHNOLOGY
CO., LTD**, Chizhou (CN)

OTHER PUBLICATIONS

(72) Inventor: **Guosheng Chen**, Chizhou (CN)

“Flat Plug . . . ” reference dated Oct. 13, 2020 at <https://www.amazon.com/TESSAN-Extension-Charging-Station-Essentials/dp/B089YBGK7C>.*

(73) Assignee: **CHIZHOU FENGPU
ELECTRONICS TECHNOLOGY
CO., LTD**, Chizhou (CN)

“Surge Protector . . . ” reference dated Jul. 30, 2021 at <https://www.walmart.com/ip/Surge-Protector-Square-JACKYLED/764355938>.*

(**) Term: **15 Years**

“Philips 6-Outlet . . . ” reference dated Mar. 18, 2021 at: <https://www.walmart.com/ip/Philips-6-Outlet-Wall-Adapter-Surge-Protection-1020-Joules-SPS1006WA-37/767804056?athcpid=767804056&athpgid=athenaItemPage&athcgid=null&athznid=PWTIC&athieid=v0&athstid=CS020&athguid=1be37e3c-007-17af5cd76761>.*

(21) Appl. No.: **29/758,687**

* cited by examiner

(22) Filed: **Nov. 17, 2020**

(51) **LOC (13) Cl.** **13-03**

Primary Examiner — Rhea Shields

(52) **U.S. Cl.**
USPC **D1/100; D13/137.2**

(58) **Field of Classification Search**
USPC D13/137.1–137.4, 138.1, 138.2,
D13/139.1–139.8, 110, 108, 152, 123
CPC H01R 25/006
See application file for complete search history.

(57) **CLAIM**

The ornamental design for a power strip, as shown and described.

(56) **References Cited**

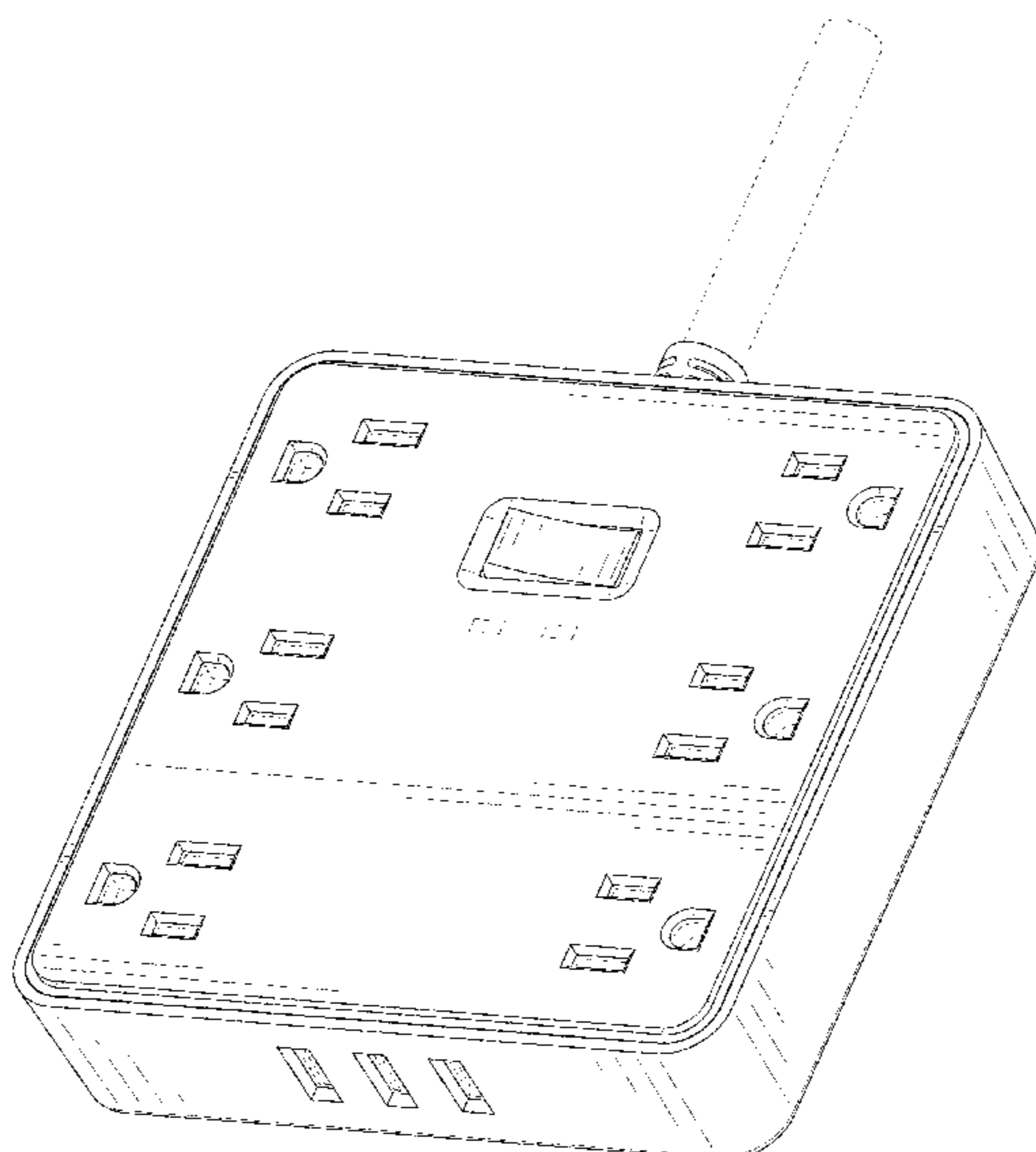
DESCRIPTION

U.S. PATENT DOCUMENTS

5,109,316 A * 4/1992 Murphy H01R 25/006
361/643
D769,819 S * 10/2016 Banayan D13/110
D828,304 S * 9/2018 Chen D13/139.8
D852,749 S * 7/2019 Wang D13/139.8
D867,998 S 11/2019 Gorretta et al.
D871,344 S * 12/2019 Lyu D13/139.8
D878,299 S * 3/2020 Lyu D13/139.8
D881,821 S * 4/2020 Lyu D13/139.8
D883,934 S * 5/2020 Yu D13/139.8
D899,374 S * 10/2020 Amoss D13/138.2
D899,375 S * 10/2020 Bao D13/139.8
D900,033 S 10/2020 Chen
D900,749 S * 11/2020 Bao D13/137.2
D916,028 S * 4/2021 Yu D13/139.8

FIG. 1 is a perspective view of a power strip showing my new design;
FIG. 2 is another perspective view thereof;
FIG. 3 is a front elevational view thereof;
FIG. 4 is a rear elevational view thereof;
FIG. 5 is a left side elevational view thereof;
FIG. 6 is a right side elevational view thereof;
FIG. 7 is a top plan view thereof; and,
FIG. 8 is a bottom plan view thereof.
The broken lines in the drawings depict portions of the power strip that form no part of the claimed design.

1 Claim, 8 Drawing Sheets



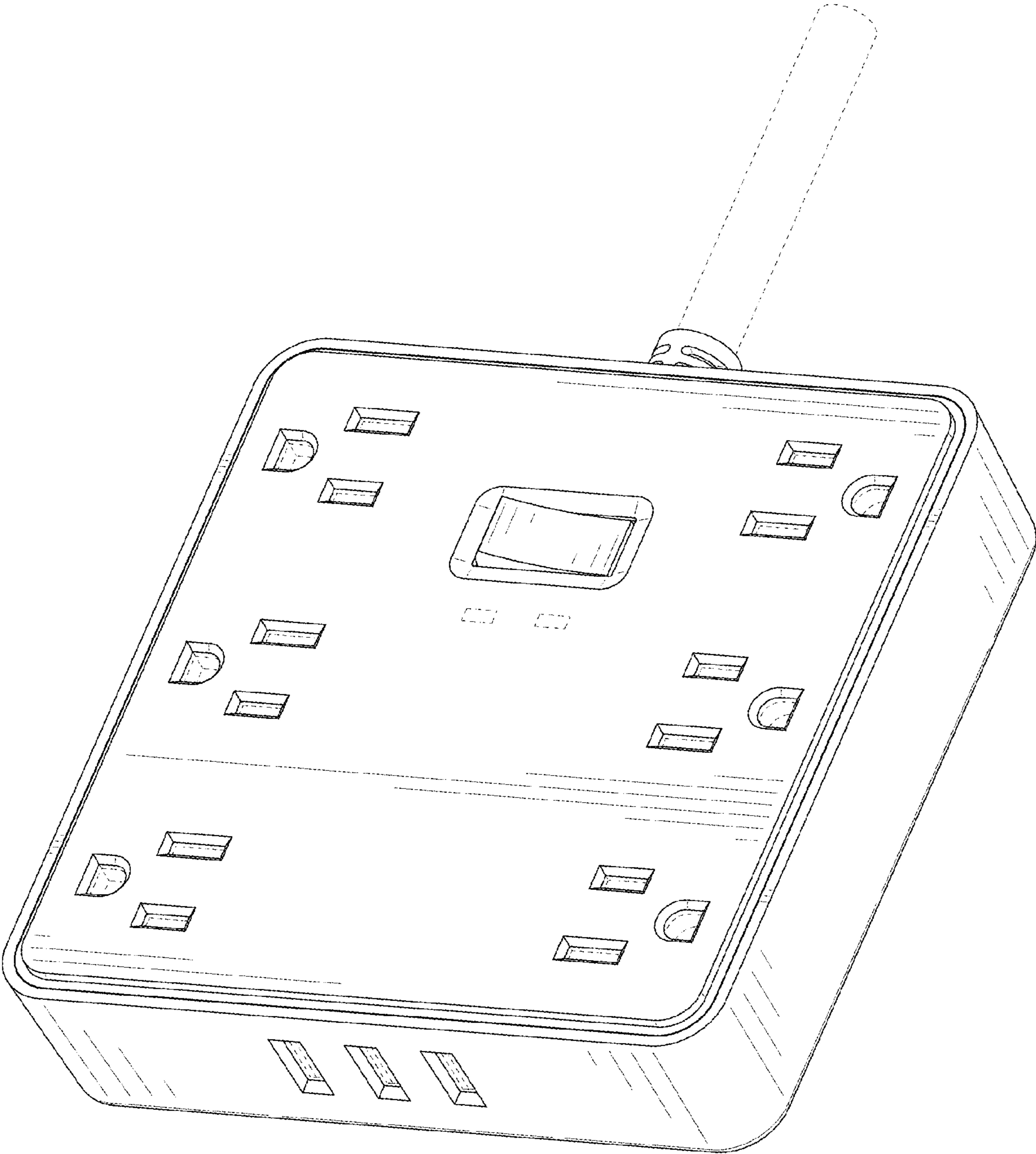


FIG. 1

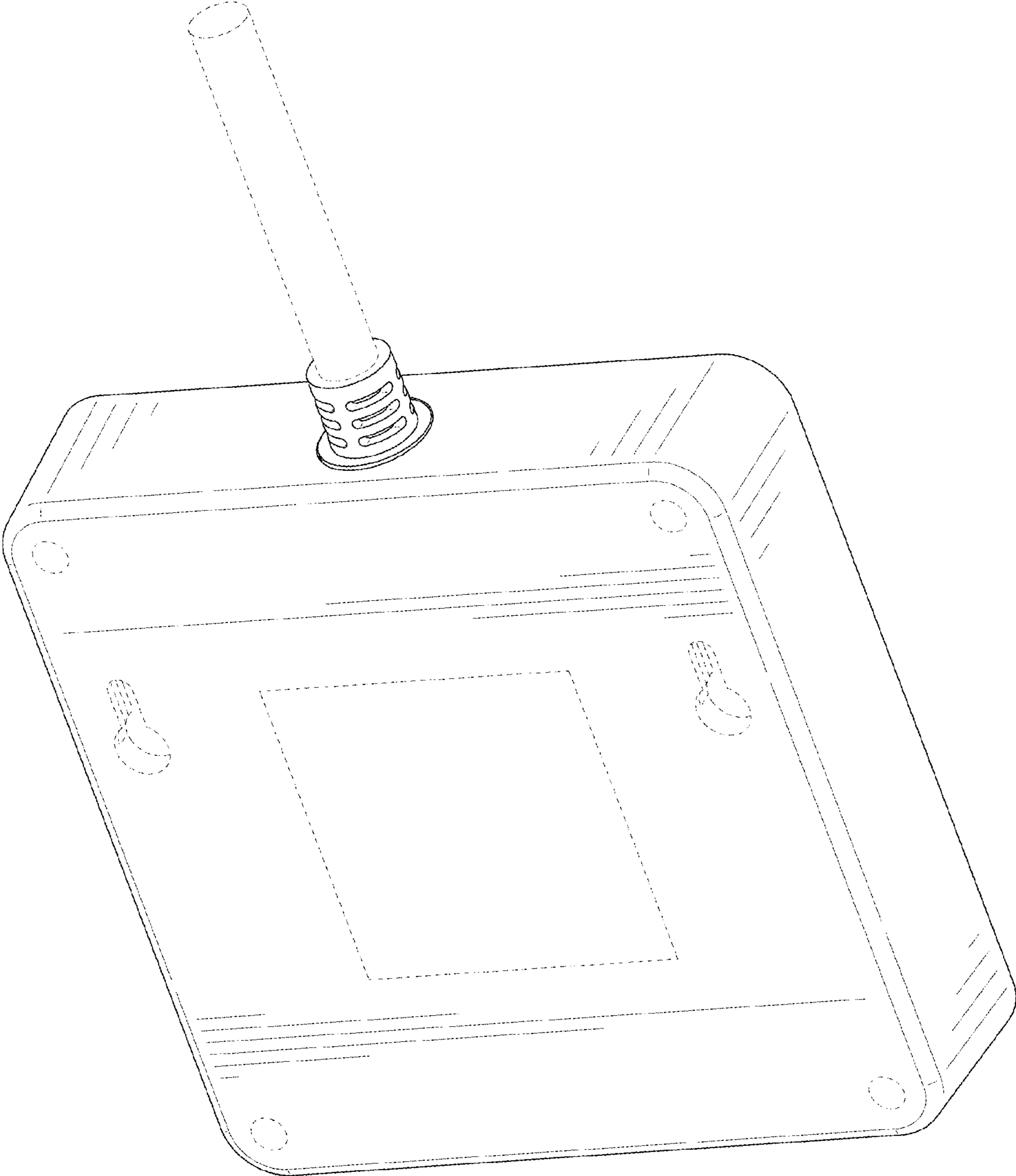


FIG. 2

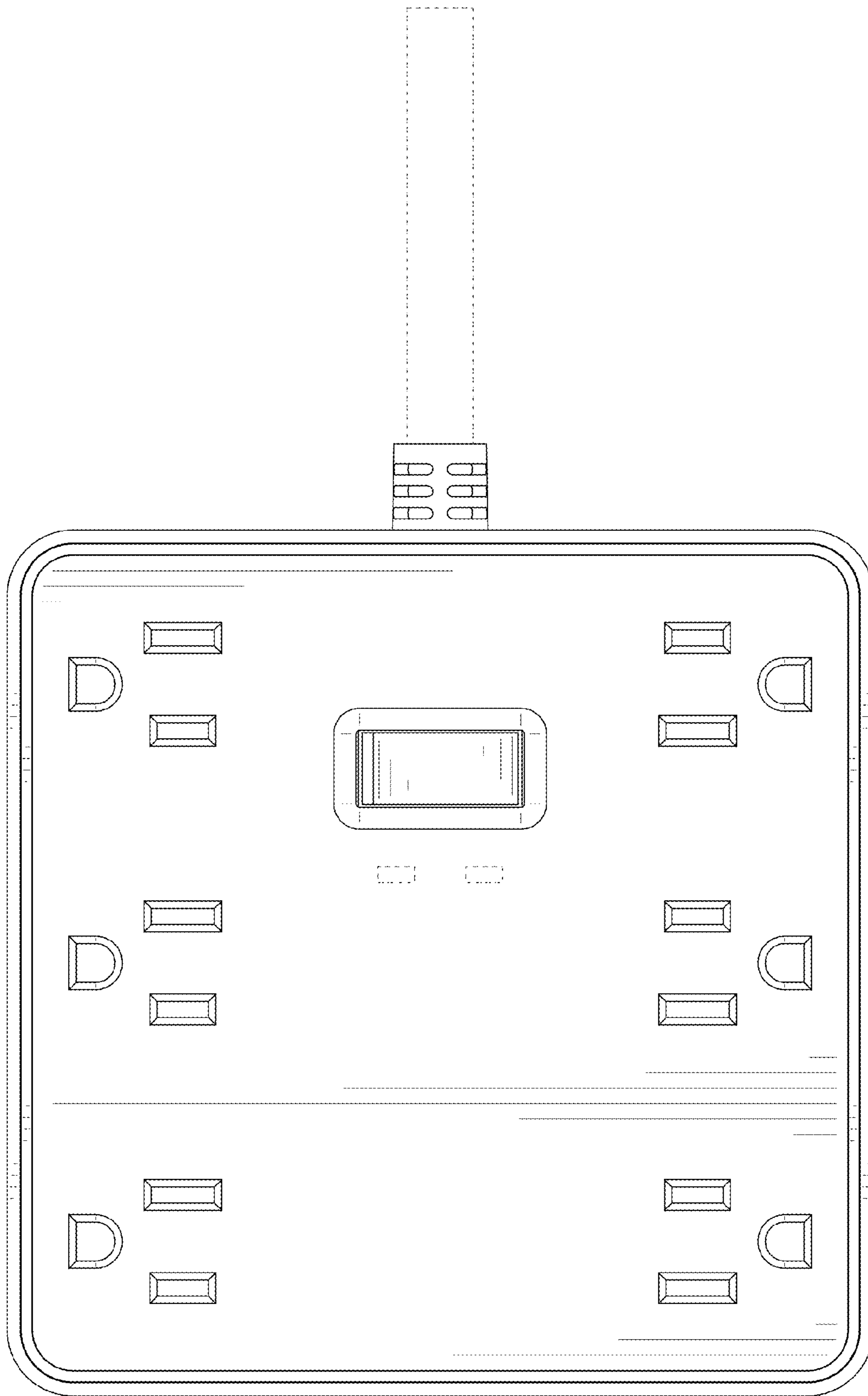


FIG. 3

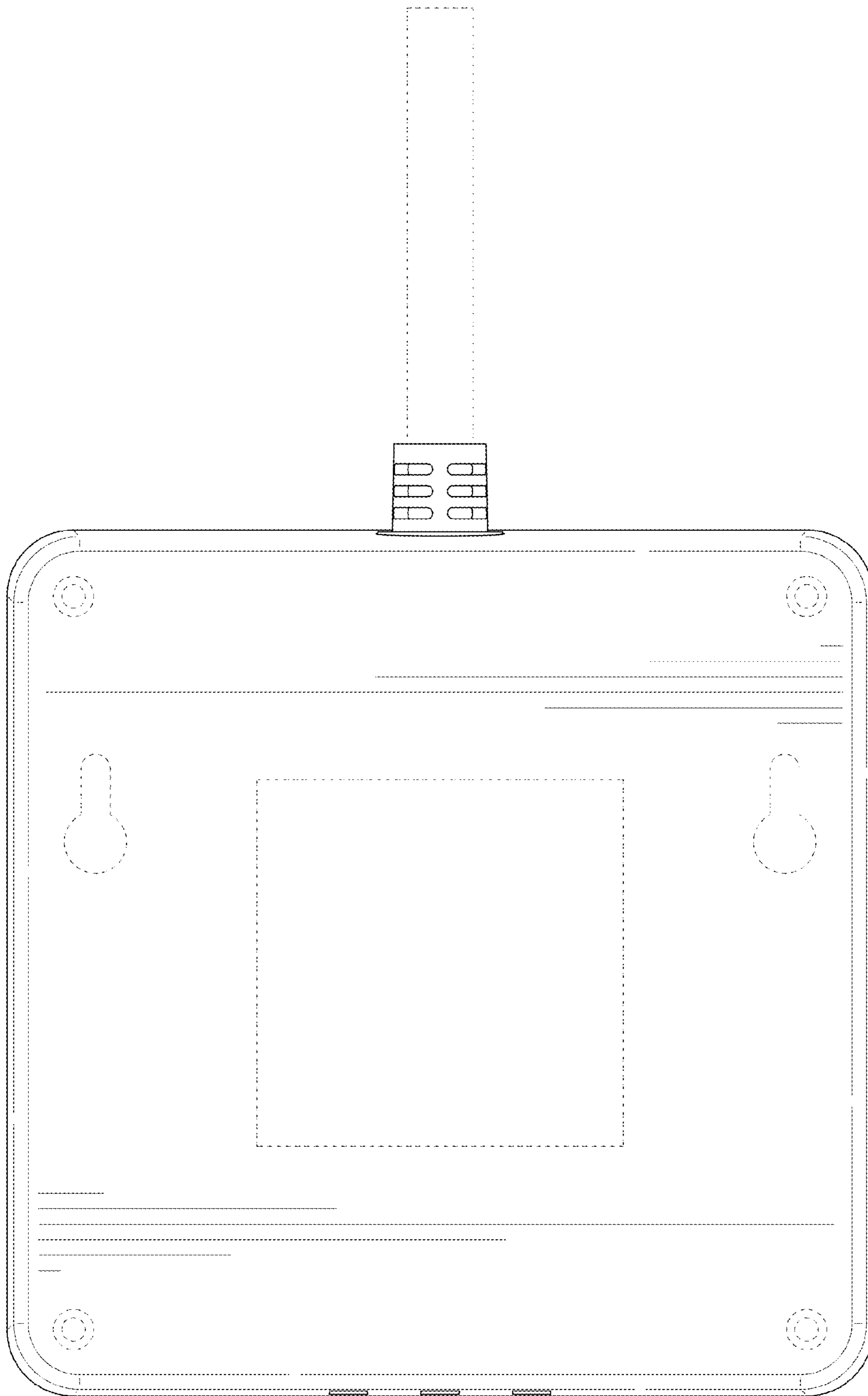


FIG. 4

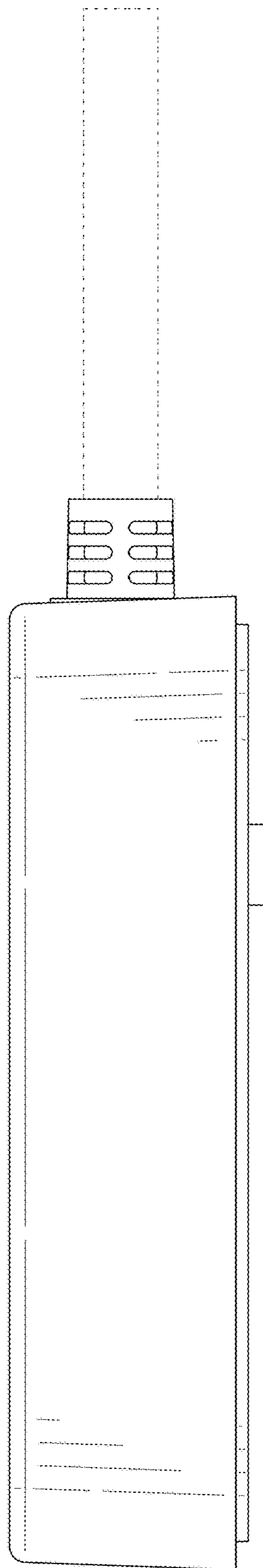


FIG. 5

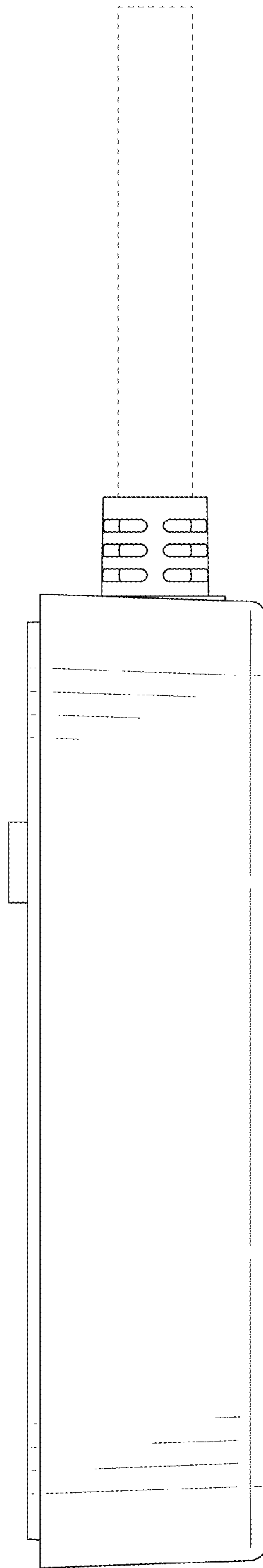


FIG. 6

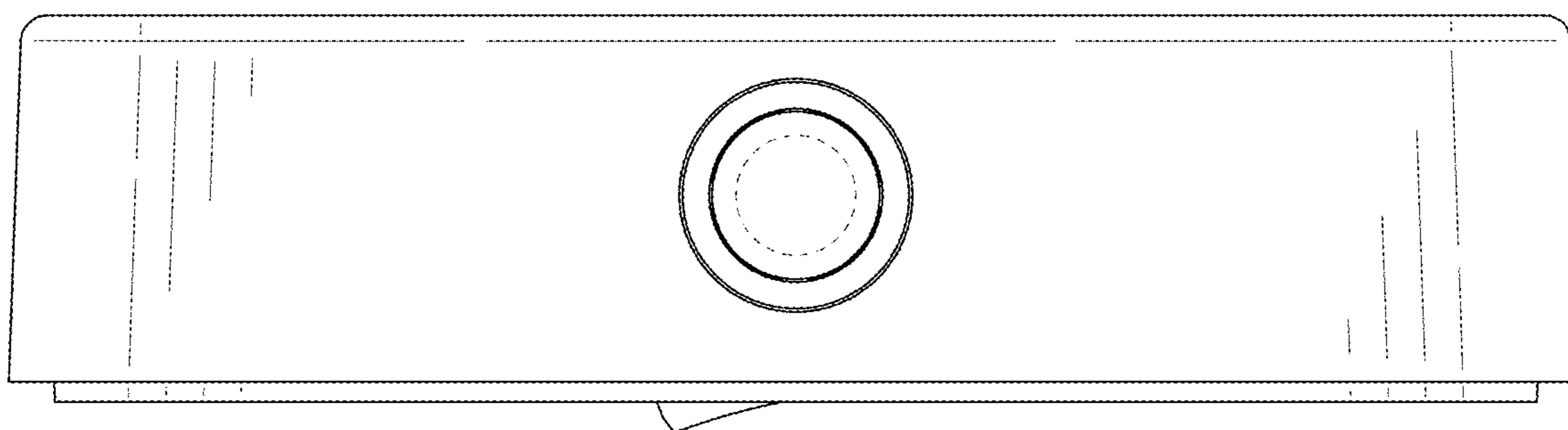


FIG. 7

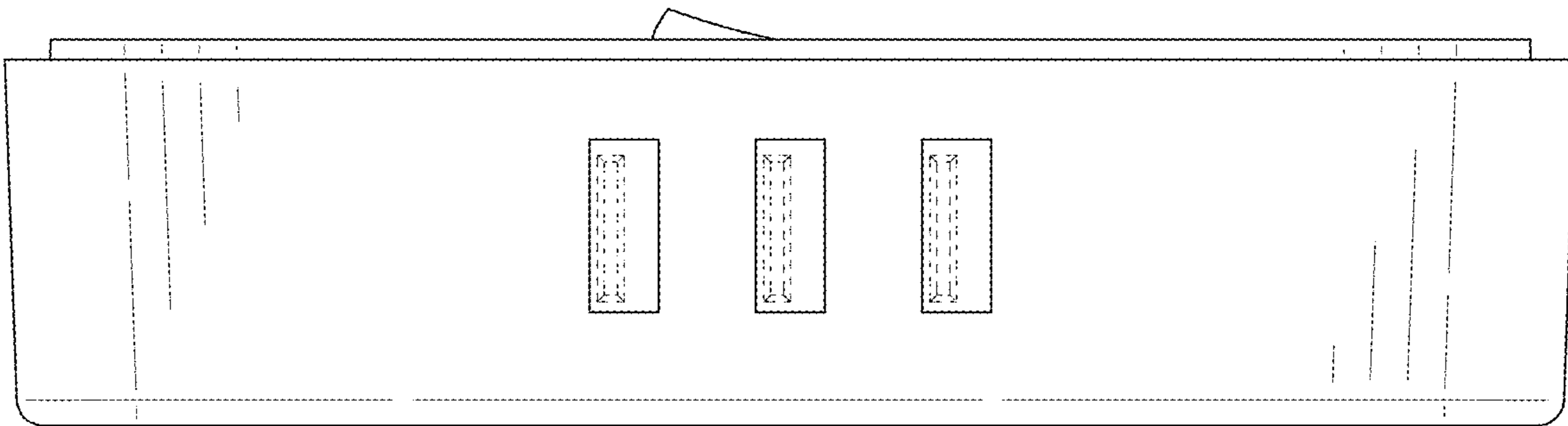


FIG. 8