



US00D930942S

(12) **United States Design Patent** (10) **Patent No.:** **US D930,942 S**  
**Babel et al.** (45) **Date of Patent:** **\*\* Sep. 14, 2021**

- (54) **MANLIFT CONTROL PANEL**
- (71) Applicant: **Crown Equipment Corporation**, New Bremen, OH (US)
- (72) Inventors: **Christoph Babel**, Tuerkenfeld (DE); **James Kraimer**, Munich (DE); **Markus Graf**, Aschau (DE); **Christian Molnar**, Forstinning (DE); **Alexander Quednau**, Munich (DE)
- (73) Assignee: **Crown Equipment Corporation**, New Bremen, OH (US)
- (\*\*) Term: **15 Years**
- (21) Appl. No.: **29/755,352**
- (22) Filed: **Oct. 20, 2020**

**Related U.S. Application Data**

- (62) Division of application No. 29/662,986, filed on Sep. 11, 2018, now Pat. No. Des. 907,883.
- (51) **LOC (13) Cl.** ..... **09-08**
- (52) **U.S. Cl.**  
USPC ..... **D34/38**
- (58) **Field of Classification Search**  
USPC ..... D34/35  
CPC . B60N 2/14; B60N 2/4693; B66F 9/06; B66F 9/07554; B66F 9/07545; B66F 9/12  
See application file for complete search history.

(56) **References Cited**

**U.S. PATENT DOCUMENTS**

- 4,266,808 A 5/1981 Fassett
- 6,182,797 B1 2/2001 Tebbe et al.
- D605,374 S 12/2009 Nishikawa et al.
- D650,959 S 12/2011 Gilbride et al.
- 9,051,159 B2 6/2015 Walker et al.
- D806,346 S 12/2017 Niebuhr

- D827,244 S 8/2018 Hooock et al.
- D907,883 S \* 1/2021 Babel ..... D34/35
- 2004/0124037 A1 7/2004 Ruck
- 2010/0072801 A1 3/2010 Adelsperger et al.
- 2015/0225219 A1 8/2015 Recchia et al.
- 2016/0023871 A1 1/2016 Rosenberg et al.
- 2017/0129753 A1 5/2017 Kraimer et al.

**OTHER PUBLICATIONS**

- Christoph Babel et al.; Related U.S. Appl. No. 29/662,986, filed Sep. 11, 2018 entitled Manlift Overhead Guard.
- Christoph Babel et al.; Related U.S. Appl. No. 29/755,199, filed Oct. 19, 2020 entitled Manlift Features.
- Christoph Babel et al.; Related U.S. Appl. No. 29/755,677, filed Oct. 22, 2020 entitled Manlift Control Panel.

(Continued)

*Primary Examiner* — Cynthia Ramirez

(74) *Attorney, Agent, or Firm* — Stevens & Showalter LLP

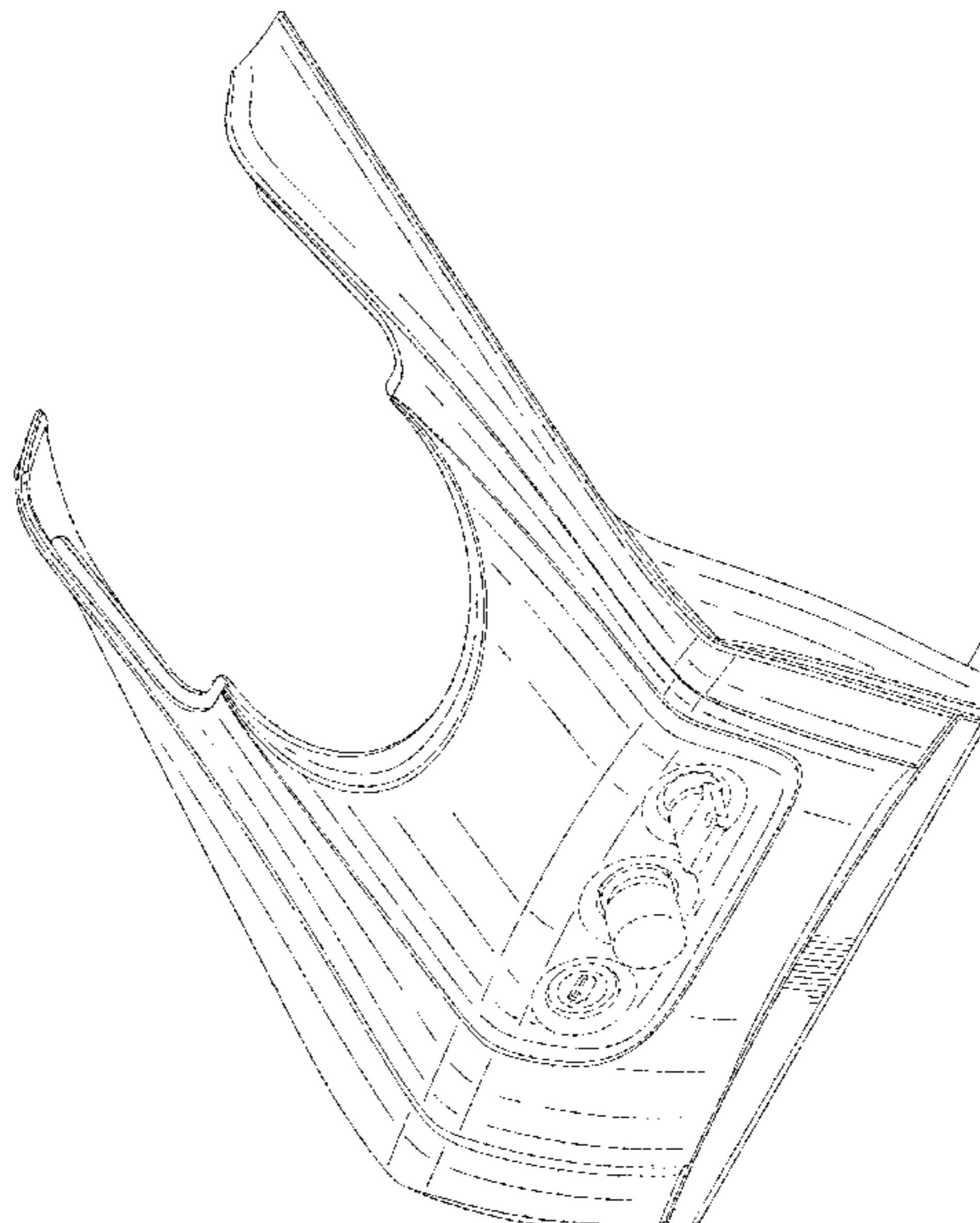
(57) **CLAIM**

The ornamental design for a manlift control panel, as shown and described.

**DESCRIPTION**

FIG. 1 is a perspective view of a manlift control panel as seen from the top, first and right sides;  
 FIG. 2 is a first side elevational view thereof;  
 FIG. 3 is a second side elevational view thereof;  
 FIG. 4 is a right side elevational view thereof;  
 FIG. 5 is a left side elevational view thereof;  
 FIG. 6 is a top plan view thereof;  
 FIG. 7 is a bottom plan view thereof; and,  
 FIG. 8 is a perspective view of the manlift control panel as seen from the bottom, second and right sides.  
 The broken lines in the figures shown portions of the manlift control panel, which form no part of the claimed design.

**1 Claim, 8 Drawing Sheets**



(56)

**References Cited**

OTHER PUBLICATIONS

Christoph Babel et al.; Related U.S. Appl. No. 29/755,721, filed Oct. 22, 2020 entitled Manlift Shelf.

Christoph Babel et al.; Related U.S. Appl. No. 29/755,925, filed Oct. 23, 2020 entitle Manlift Side Windows.

Christoph Babel et al.; Related U.S. Appl. No. 29/757,811, filed Nov. 10, 2020 entitled Manlift Side Windows.

Cynthia Ramirez; Election/Restriction Requirement; U.S. Appl. No. 29/662,986, filed Jun. 17, 2020; United States Patent and Trademark Office; Alexandria, Virginia.

Cynthia Ramirez; Notice of Allowance and Fees Due; U.S. Appl. No. 29/662,986, filed Oct. 1, 2020; United States Patent and Trademark Office; Alexandria, Virginia.

\* cited by examiner

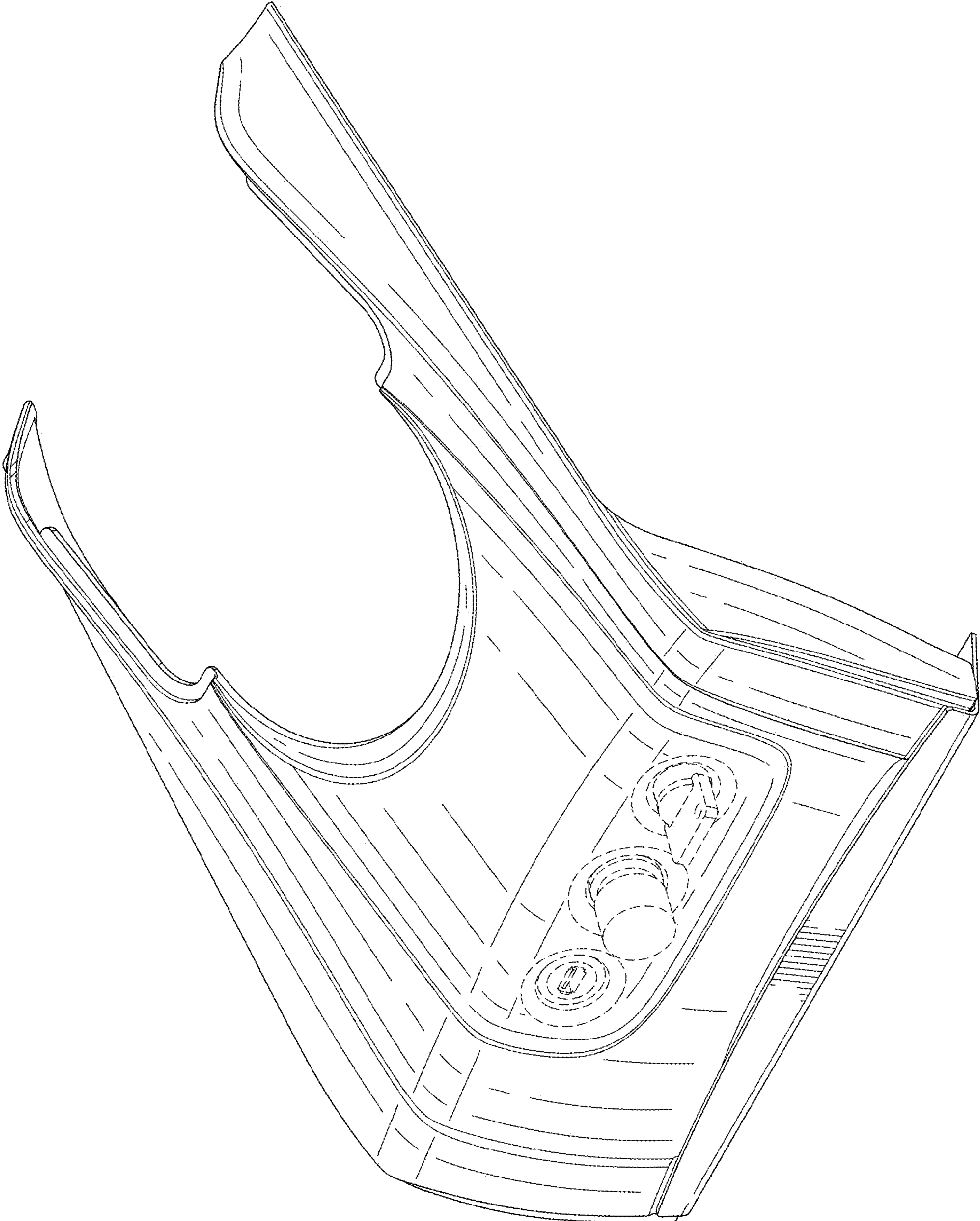


FIG. 1

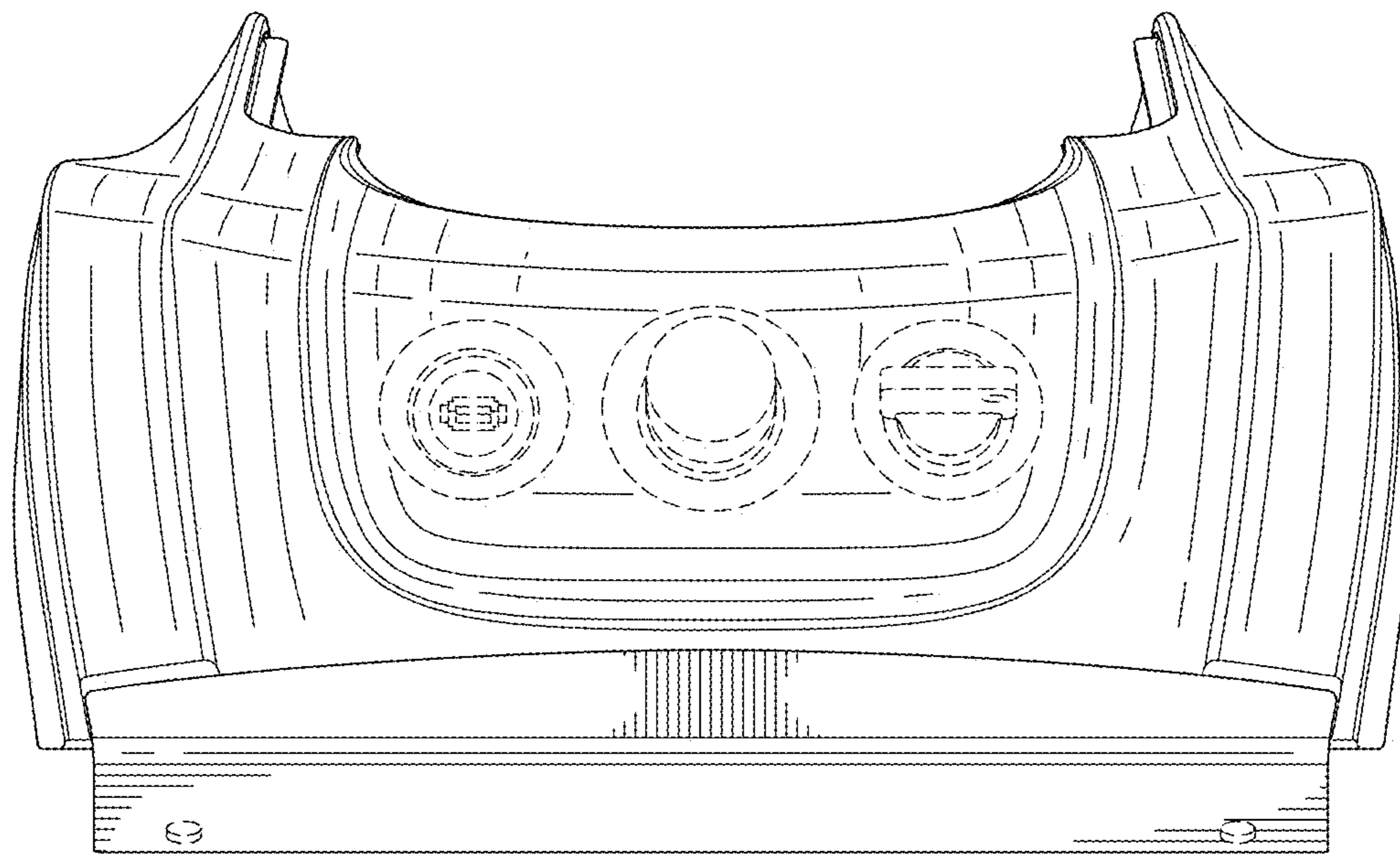


FIG. 2

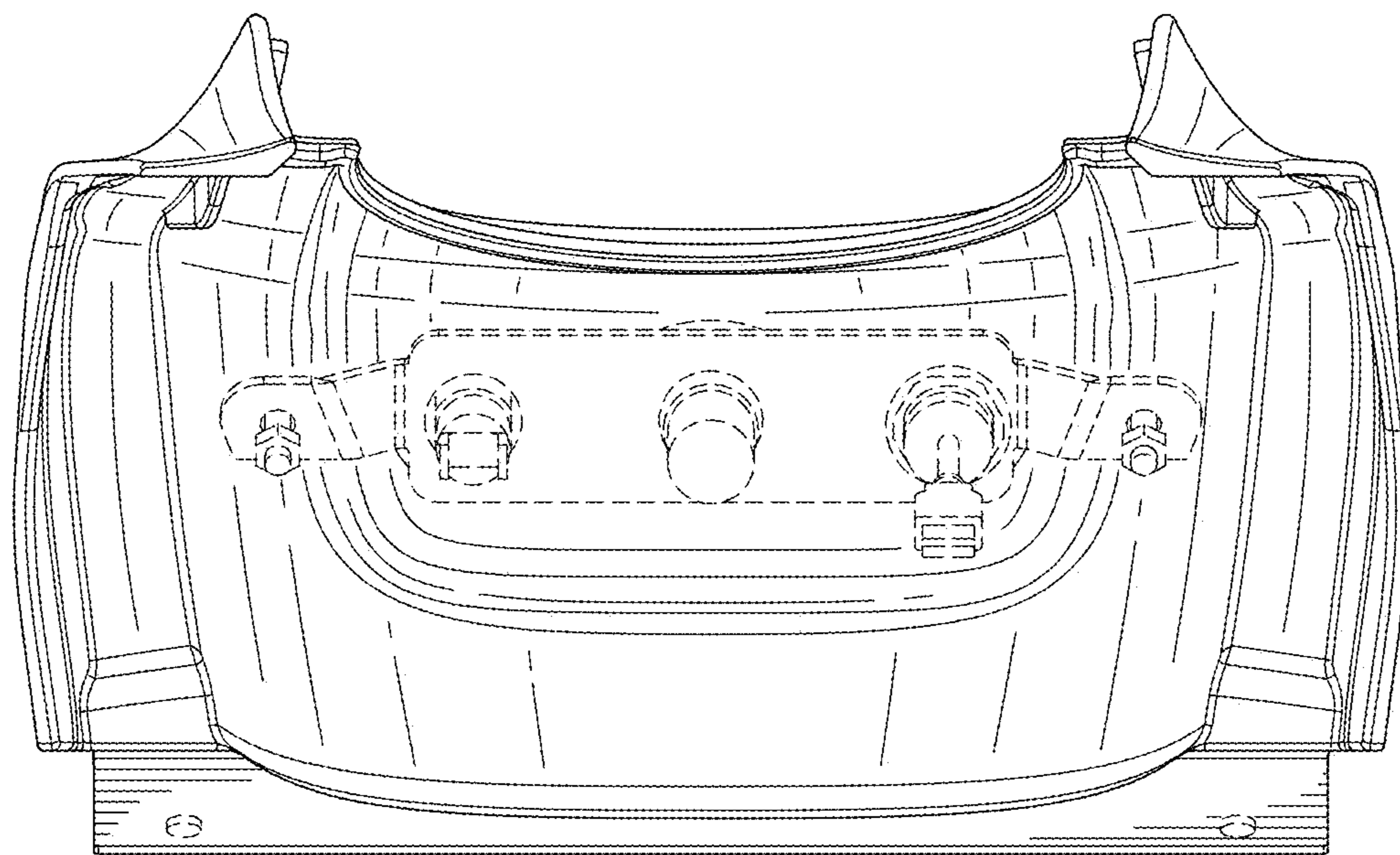


FIG. 3

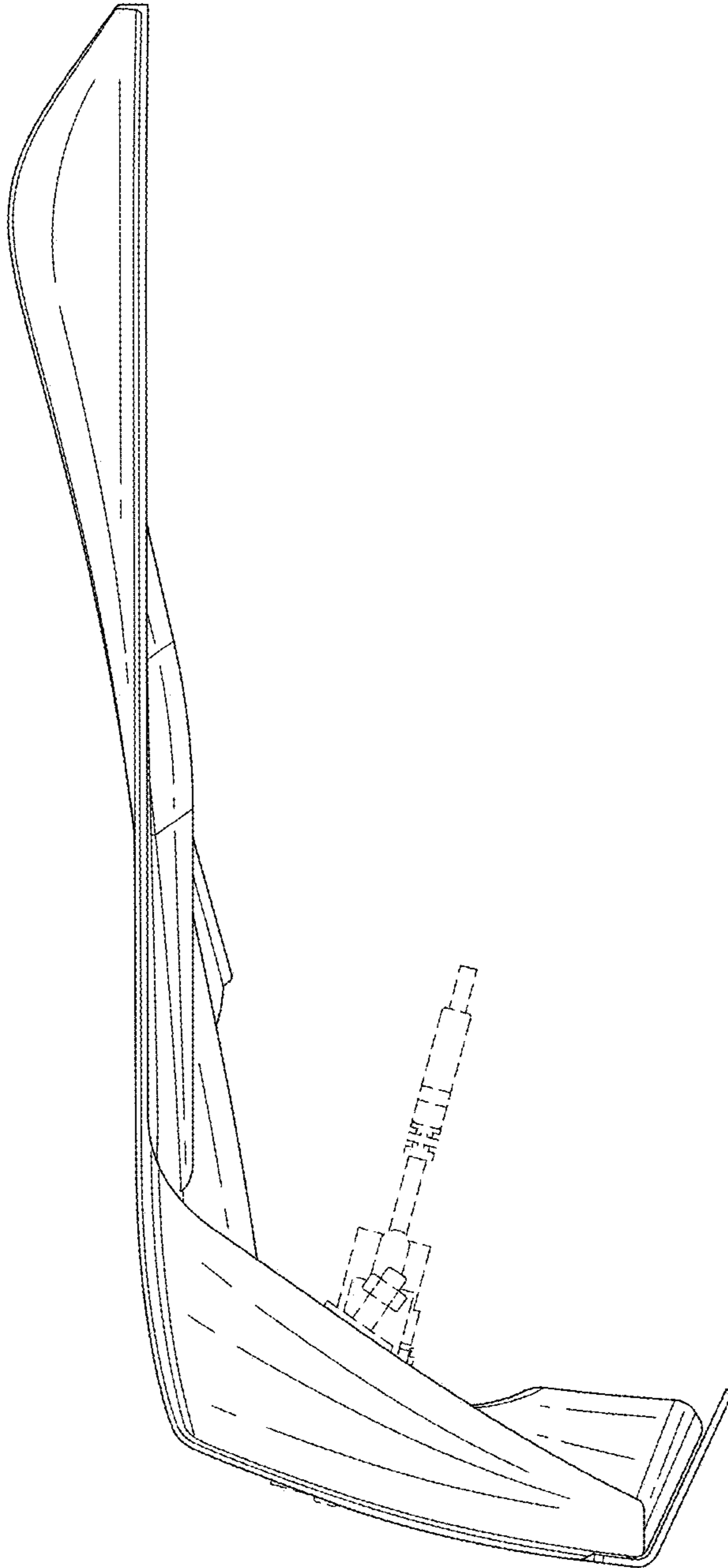


FIG. 4

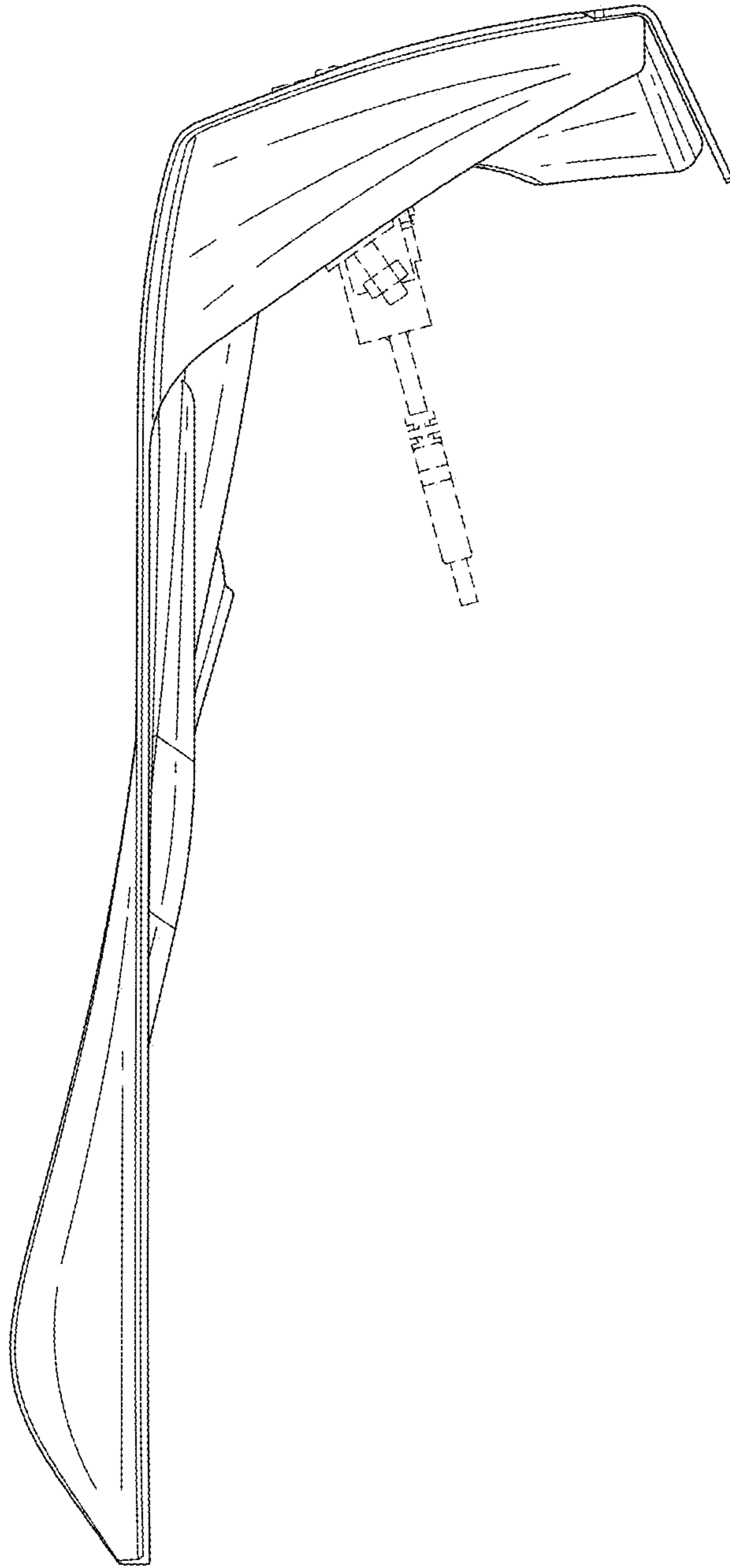


FIG. 5

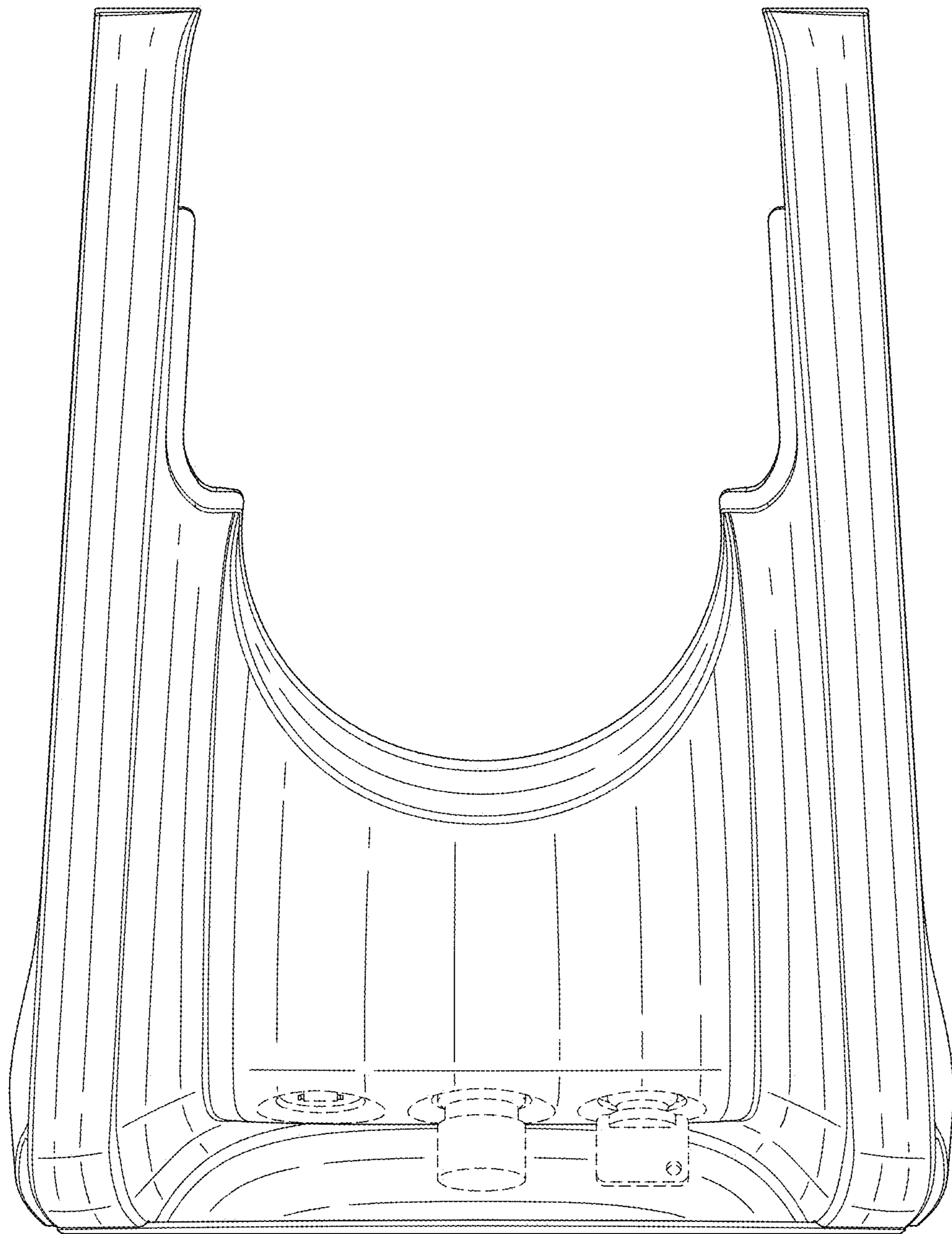


FIG. 6



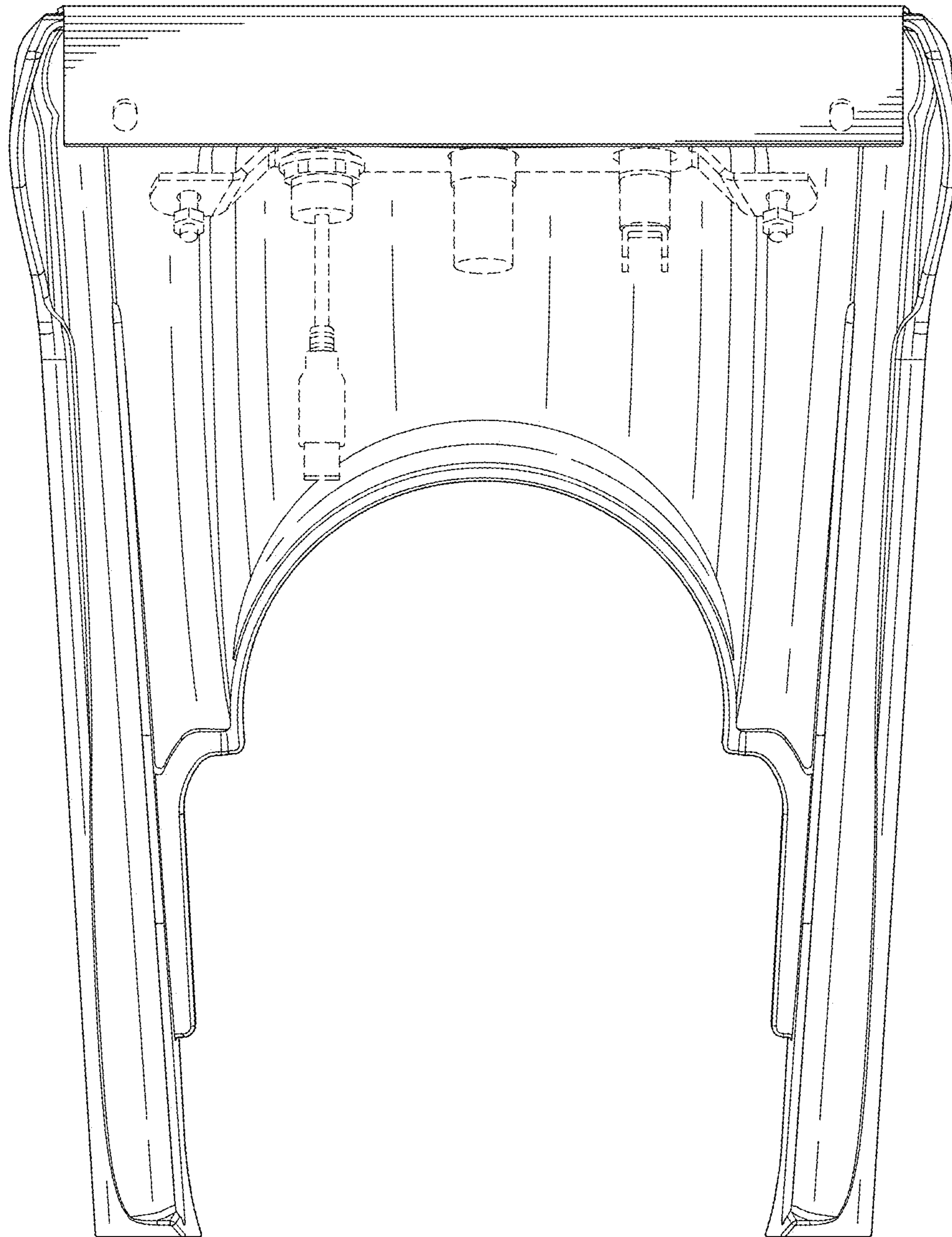


FIG. 7

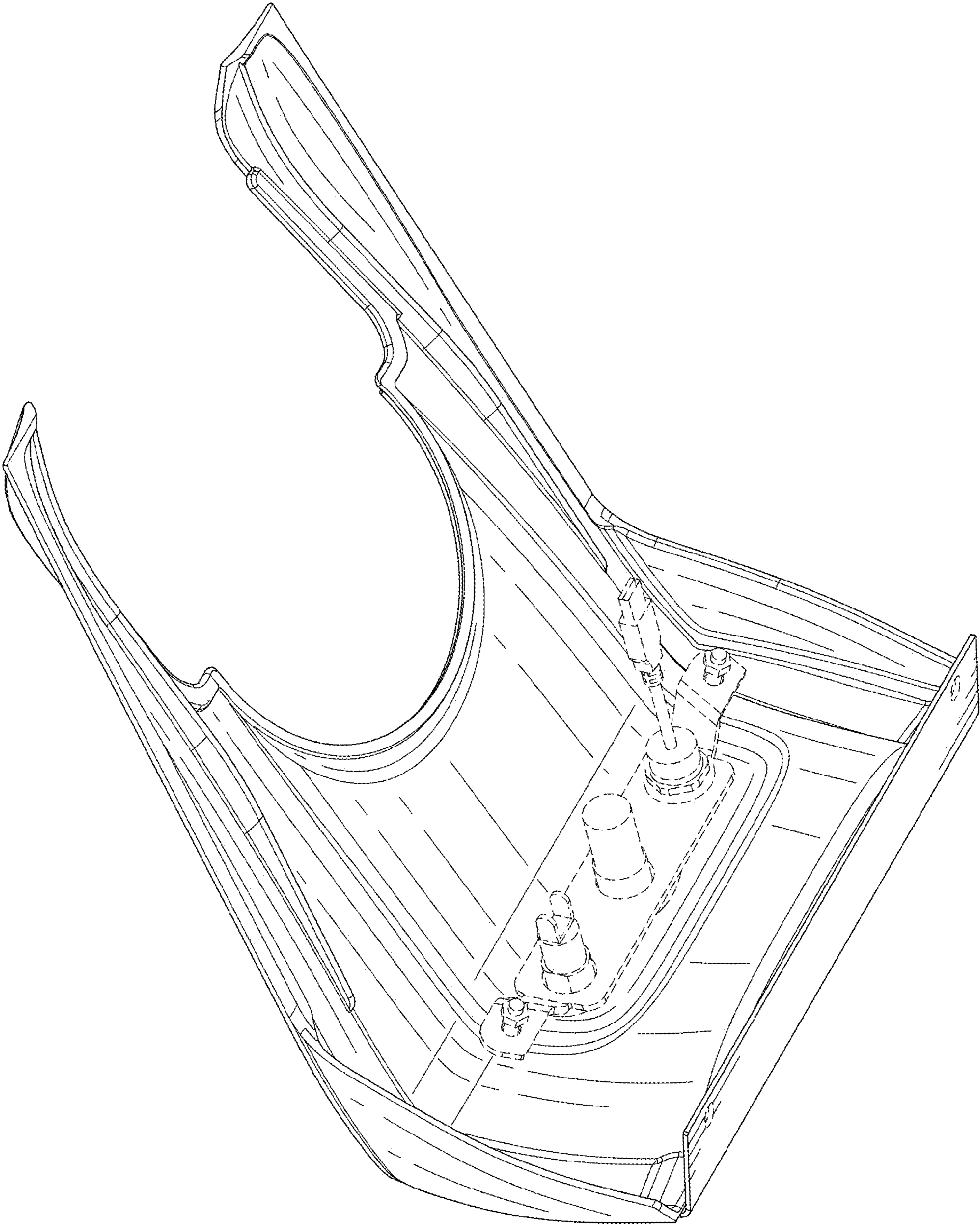


FIG. 8