



US00D930941S

(12) **United States Design Patent** (10) **Patent No.:** **US D930,941 S**
Babel et al. (45) **Date of Patent:** **** Sep. 14, 2021**

- (54) **MANLIFT FEATURES**
- (71) Applicant: **Crown Equipment Corporation**, New Bremen, OH (US)
- (72) Inventors: **Christoph Babel**, Tuerkenfeld (DE); **James Kraimer**, Munich (DE); **Markus Graf**, Aschau (DE); **Christian Molnar**, Forstinning (DE); **Alexander Quednau**, Munich (DE)
- (73) Assignee: **Crown Equipment Corporation**, New Bremen, OH (US)
- (**) Term: **15 Years**
- (21) Appl. No.: **29/755,199**
- (22) Filed: **Oct. 19, 2020**

Related U.S. Application Data

- (62) Division of application No. 29/662,986, filed on Sep. 11, 2018, now Pat. No. Des. 907,883.
- (51) **LOC (13) Cl.** **09-08**
- (52) **U.S. Cl.**
USPC **D34/38**
- (58) **Field of Classification Search**
USPC D34/35
CPC . B60N 2/14; B60N 2/4693; B66F 9/06; B66F 9/07554; B66F 9/07545; B66F 9/12
See application file for complete search history.

(56) **References Cited**

U.S. PATENT DOCUMENTS

- 4,266,808 A 5/1981 Fassett
- 6,182,797 B1 2/2001 Tebbe et al.
- D605,374 S 12/2009 Nishikawa et al.
- D650,959 S 12/2011 Gilbride et al.
- 9,051,159 B2 6/2015 Walker et al.
- D806,346 S 12/2017 Niebuhr

- D827,244 S 8/2018 Hooock et al.
- D907,883 S * 1/2021 Babel D34/35
- 2004/0124037 A1 7/2004 Ruck
- 2010/0072801 A1 3/2010 Adelsperger et al.
- 2015/0225219 A1 8/2015 Recchia et al.
- 2016/0023871 A1 1/2016 Rosenberg et al.
- 2017/0129753 A1 5/2017 Kraimer et al.

OTHER PUBLICATIONS

Christoph Babel et al.; Related U.S. Appl. No. 29/662,986, filed Sep. 11, 2018 entitled Manlift Overhead Guard.
 Christoph Babel et al.; Related divisional U.S. Appl. No. 29/755,352, filed Oct. 20, 2020 entitled Manlift Control Panel.
 Christoph Babel et al.; Related divisional U.S. Appl. No. 29/755,677, filed Oct. 22, 2020 entitled Manlift Control Panel.

(Continued)

Primary Examiner — Cynthia Ramirez

(74) *Attorney, Agent, or Firm* — Stevens & Showalter LLP

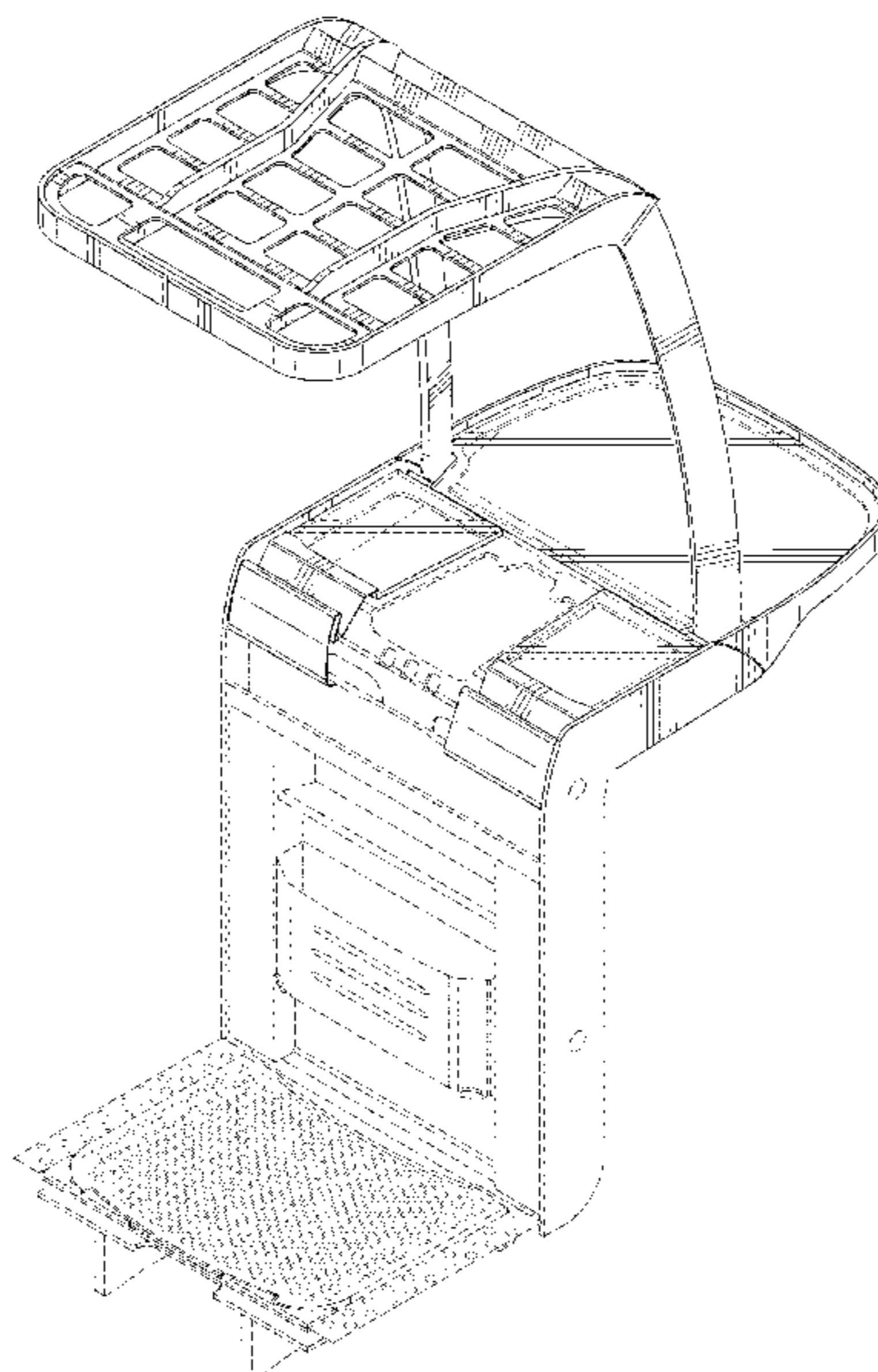
(57) **CLAIM**

The ornamental design for manlift features, as shown and described.

DESCRIPTION

FIG. 1 is a perspective view of manlift features as seen from the top, first and right sides;
 FIG. 2 is a first side elevational view thereof;
 FIG. 3 is a second side elevational view thereof;
 FIG. 4 is a right side elevational view thereof;
 FIG. 5 is a left side elevational view thereof;
 FIG. 6 is a top plan view thereof;
 FIG. 7 is a bottom plan view thereof; and,
 FIG. 8 is a perspective view of the manlift features as seen from the bottom, second and right sides.
 The broken lines in the figures shown portions of the manlift features, which form no part of the claimed design.

1 Claim, 8 Drawing Sheets



(56)

References Cited

OTHER PUBLICATIONS

Christoph Babel et al.; Related divisional U.S. Appl. No. 29/755,721, filed Oct. 22, 2020 entitled Manlift Shelf.

Christoph Babel et al.; Related divisional U.S. Appl. No. 29/755,925, filed Oct. 23, 2020 entitled Manlift Side Windows.

Christoph Babel et al.; Related divisional U.S. Appl. No. 29/757,811, filed Nov. 10, 2020 entitled Manlift Side Windows.

Cynthia Ramirez; Election/Restriction Requirement; U.S. Appl. No. 29/662,986 dated Jun. 17, 2020; United States Patent and Trademark Office; Alexandria, Virginia.

Cynthia Ramirez; Notice of Allowance and Fees Due; U.S. Appl. No. 29/662,986 dated Oct. 1, 2020; United States Patent and Trademark Office; Alexandria, Virginia.

* cited by examiner

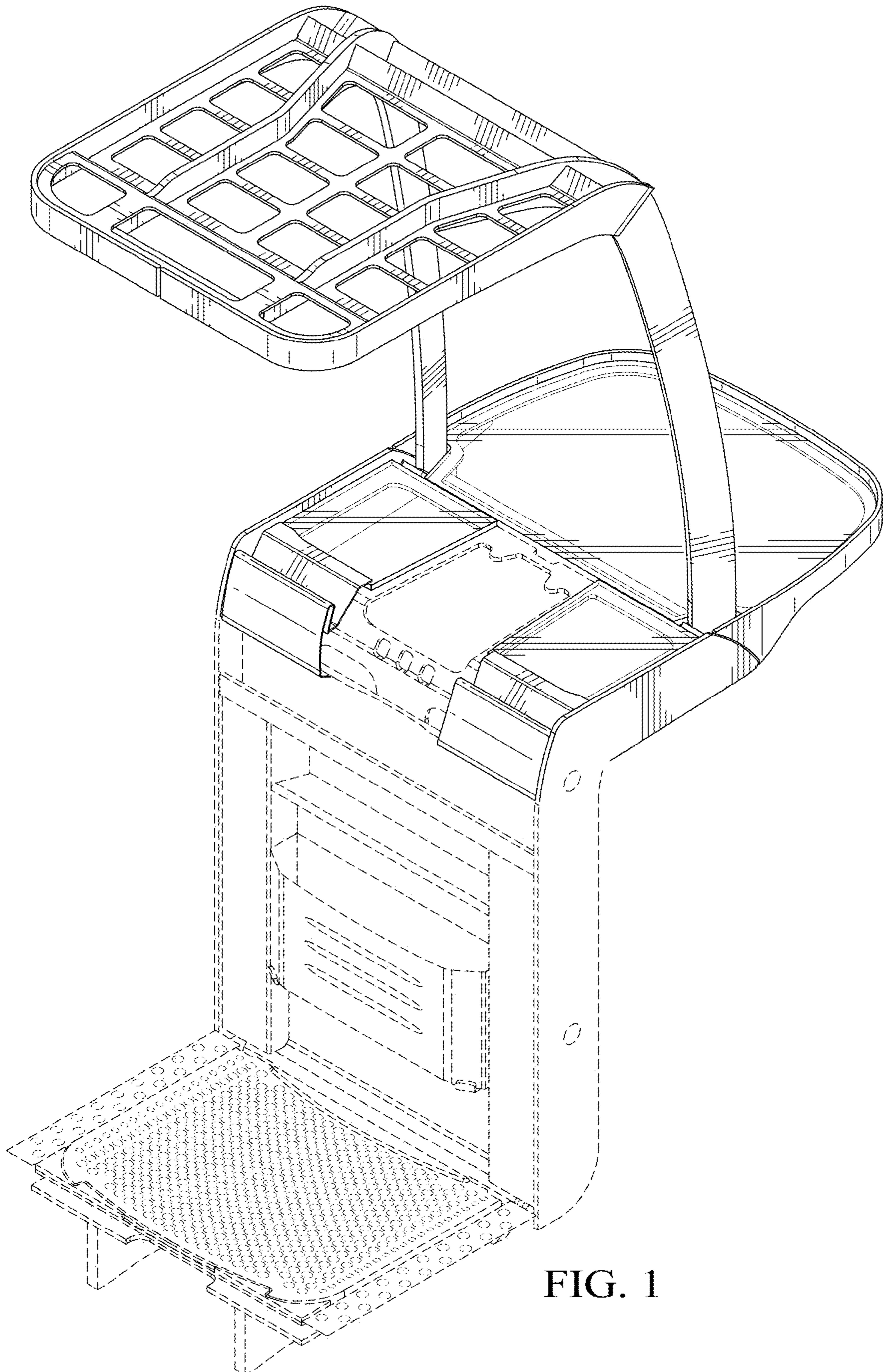


FIG. 1

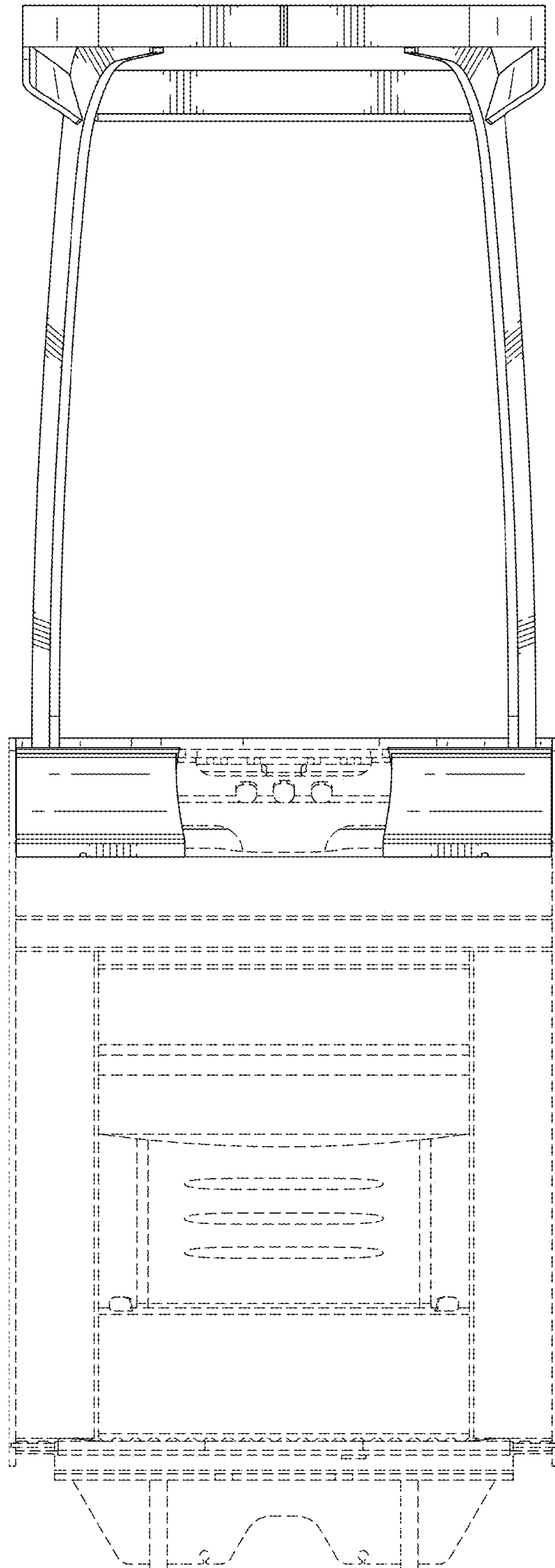


FIG. 2

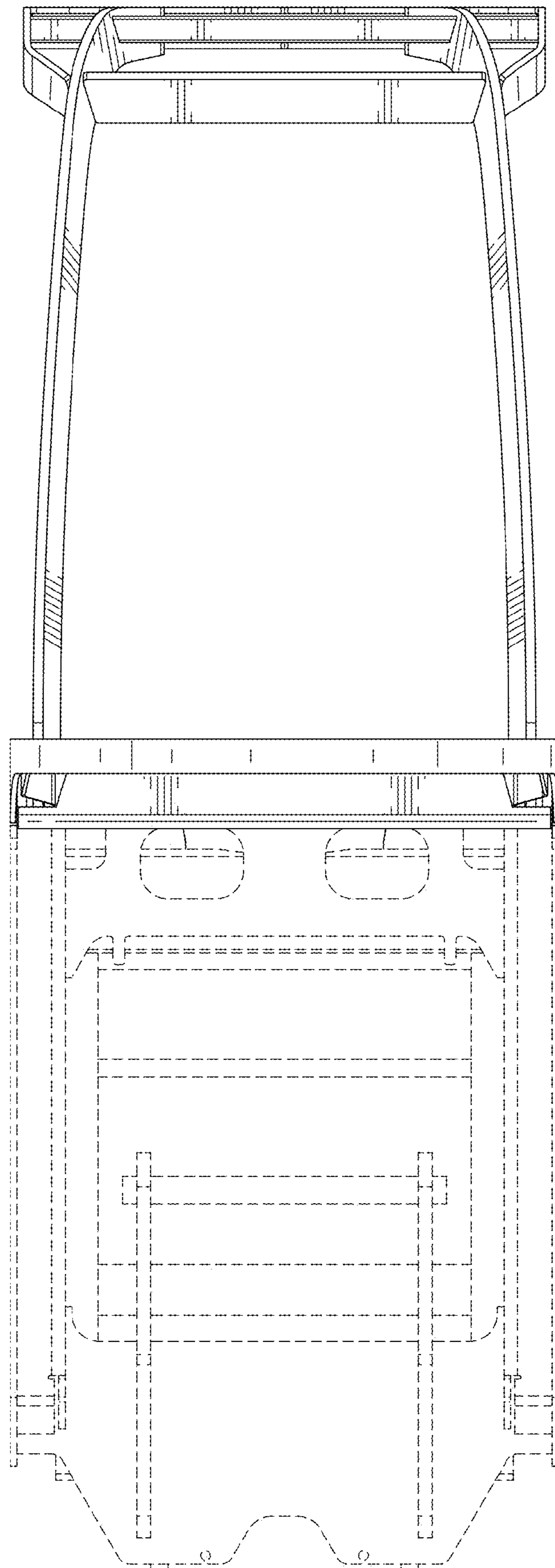


FIG. 3

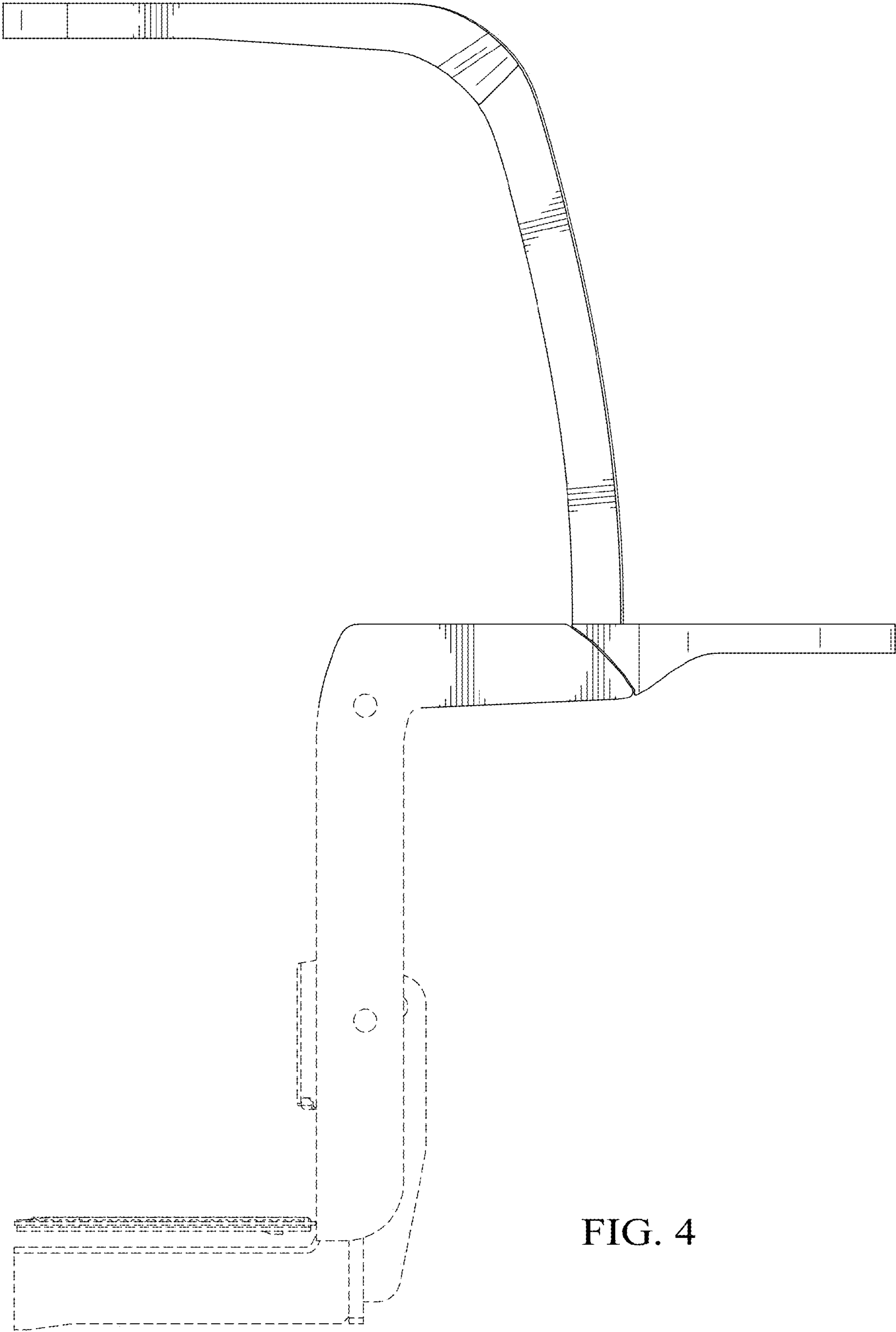


FIG. 4

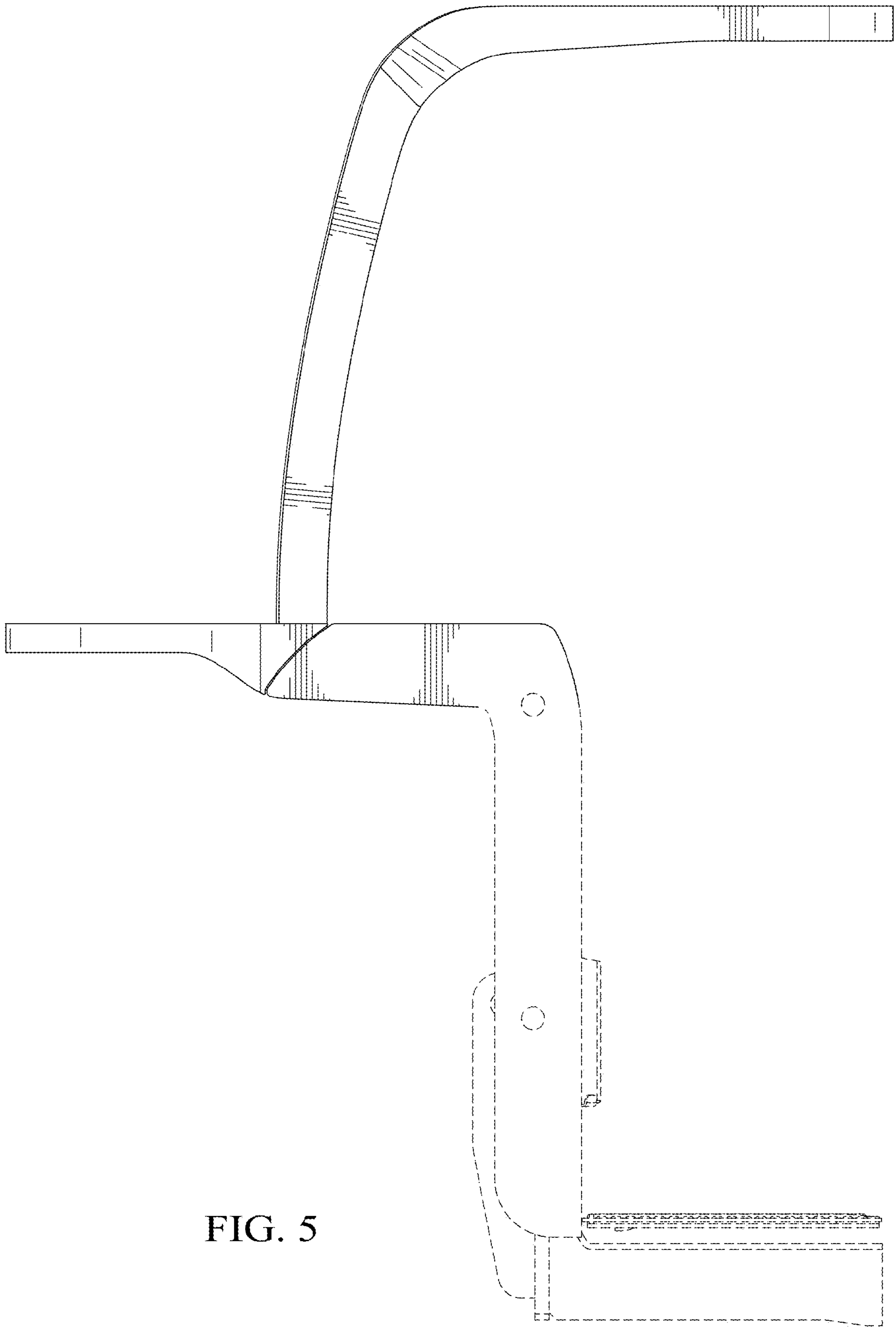


FIG. 5

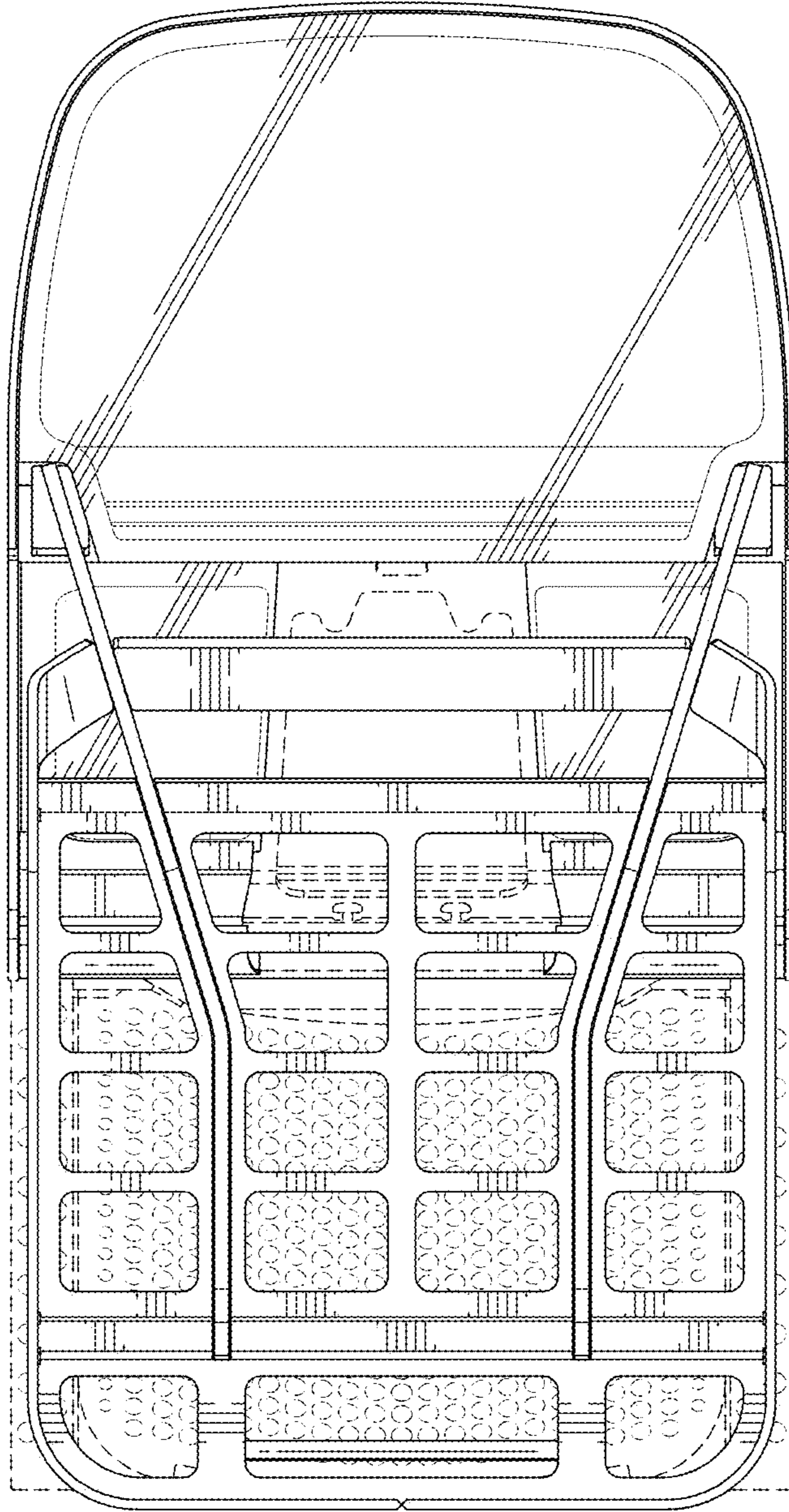


FIG. 6

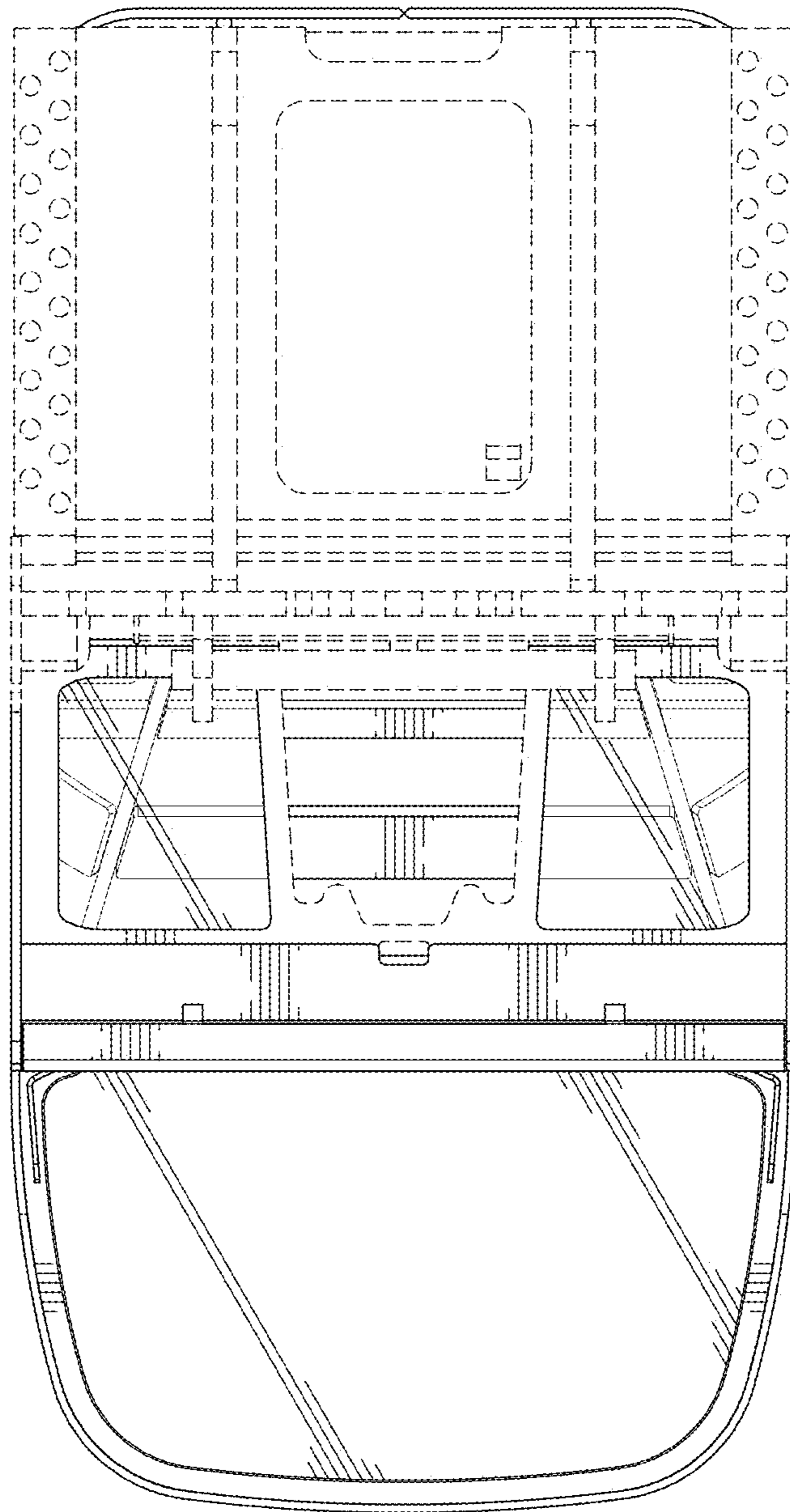


FIG. 7

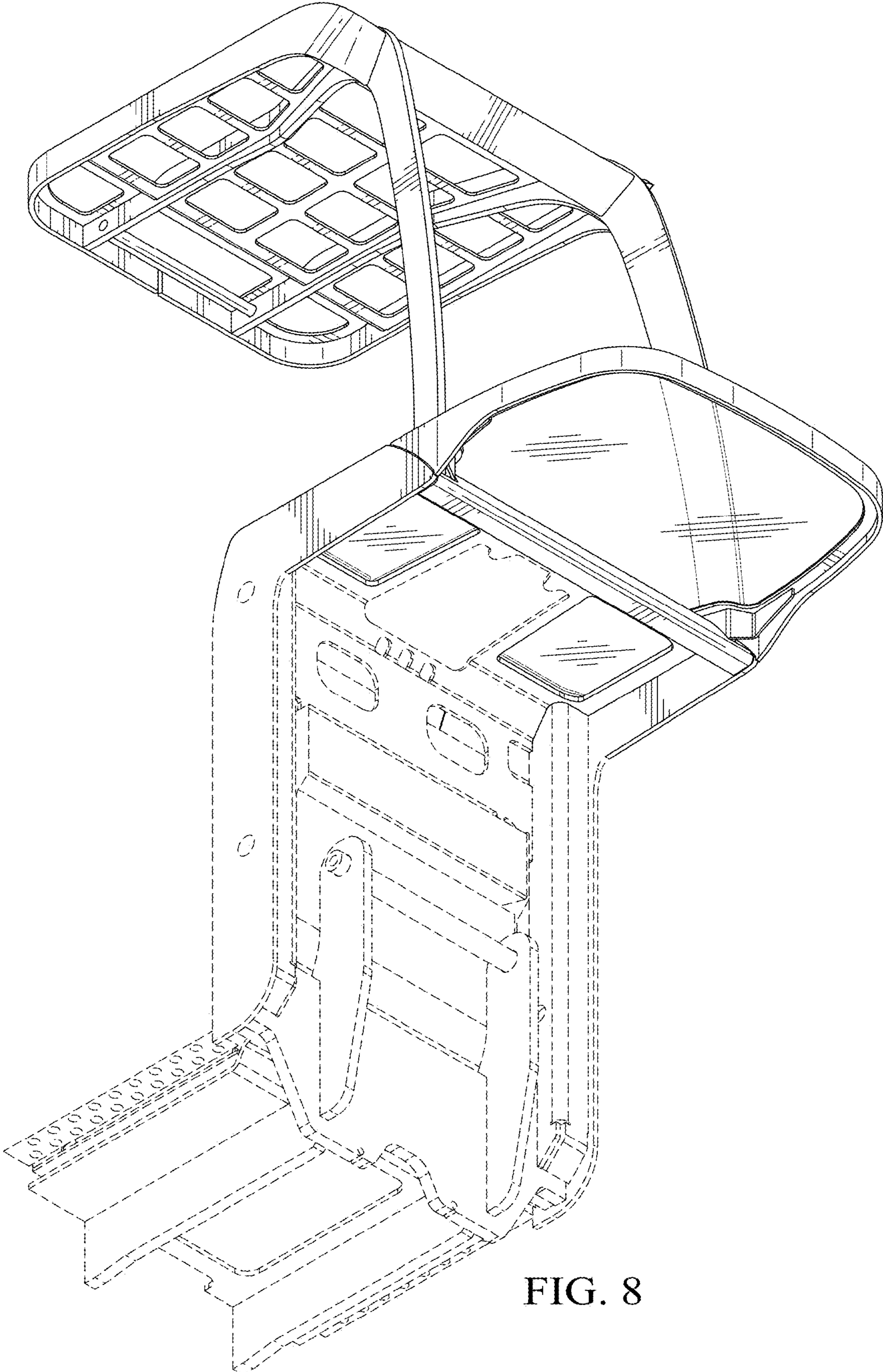


FIG. 8

UNITED STATES PATENT AND TRADEMARK OFFICE
CERTIFICATE OF CORRECTION


PATENT NO. : D930,941 S
APPLICATION NO. : 29/755199
DATED : September 14, 2021
INVENTOR(S) : Christoph Babel et al.

Page 1 of 1

It is certified that error appears in the above-identified patent and that said Letters Patent is hereby corrected as shown below:

On the Title Page

In the description, Line 11, "The broken lines in the figures shown" should read --The broken lines in the figures show--.

Signed and Sealed this
Seventeenth Day of May, 2022

Katherine Kelly Vidal
Director of the United States Patent and Trademark Office