



US00D930936S

(12) **United States Design Patent**  
**Beiler et al.**

(10) **Patent No.:** **US D930,936 S**

(45) **Date of Patent:** **\*\* Sep. 14, 2021**

- (54) **ROOF DEBRIS CHUTE**
- (71) Applicant: **New Heights, LLC**, Leola, PA (US)
- (72) Inventors: **Aaron Jay Beiler**, Gap, PA (US);  
**Raymond Beiler**, New Holland, PA (US); **Jeremiah Weaver**, Narvon, PA (US)
- (73) Assignee: **New Heights, LLC**, Leola, PA (US)
- (\*\*) Term: **15 Years**
- (21) Appl. No.: **29/708,704**
- (22) Filed: **Oct. 9, 2019**
- (51) **LOC (13) Cl.** ..... **12-05**
- (52) **U.S. Cl.**  
USPC ..... **D34/28**
- (58) **Field of Classification Search**  
USPC ..... D34/28; D25/119, 121, 122; D15/147;  
D23/393; D8/354; 37/197  
CPC ..... B65G 11/12; B65G 11/126; B65G 11/103;  
B65G 11/106; B65G 11/023; B65G  
11/203; B01J 4/005  
See application file for complete search history.

- D438,650 S \* 3/2001 Neuhofer, Jr. .... D25/199
- 6,668,492 B2 \* 12/2003 Warns ..... E04D 13/064  
52/11
- D598,506 S \* 8/2009 Schieltz ..... D21/561
- D629,921 S \* 12/2010 Southwell ..... D25/121
- D632,225 S \* 2/2011 Brys ..... D12/106
- D700,717 S \* 3/2014 Campacci ..... D25/119
- 8,733,529 B2 \* 5/2014 Heddles ..... B65G 11/063  
193/12
- D707,275 S \* 6/2014 Ito ..... D15/147
- D740,968 S \* 10/2015 Stanfill ..... D25/119
- D829,928 S \* 10/2018 Dye ..... D25/48.2
- D884,143 S \* 5/2020 Holland ..... D23/373

(Continued)

*Primary Examiner* — Cynthia Ramirez

(74) *Attorney, Agent, or Firm* — Barley Snyder

(57) **CLAIM**

The ornamental design for a roof debris chute, as shown and described.

**DESCRIPTION**

FIG. 1 is a rear, top and left side perspective view of a roof debris chute;  
 FIG. 2 is a rear elevation view thereof;  
 FIG. 3 is a front elevation view thereof;  
 FIG. 4 is a top plan view thereof;  
 FIG. 5 is a bottom plan view thereof; and  
 FIG. 6 is a right side elevation view thereof;  
 FIG. 7 is a left side elevation view thereof;  
 FIG. 8 is a rear, top, and right perspective view of the roof debris chute; and,  
 FIG. 9 is a front, top and right perspective view of the roof debris chute.

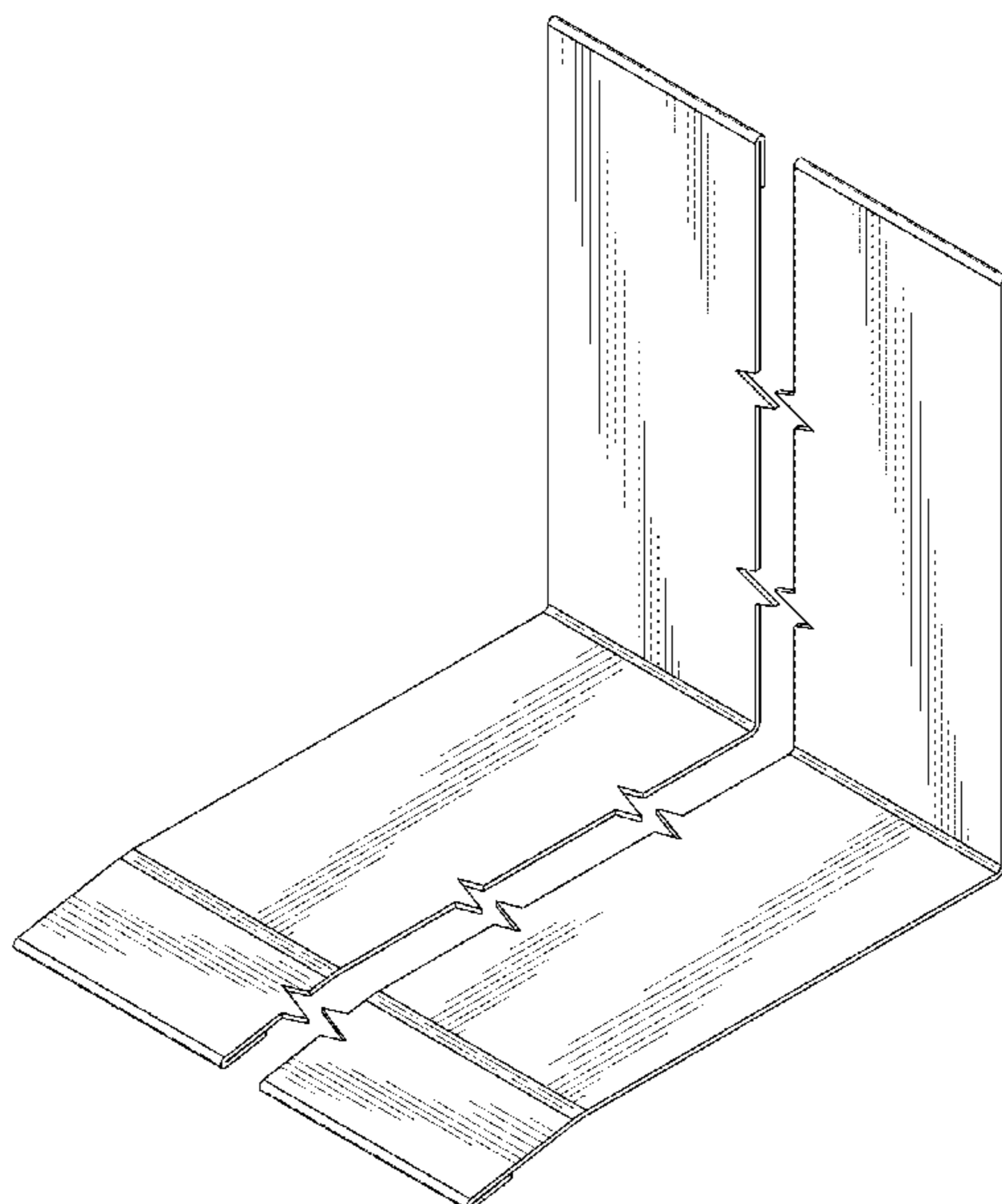
The roof debris chute is shown with a symbolic break in its length. The appearance of any portion of the article between the break lines forms no part of the claimed design. The broken lines in the figures show environment, and form no part of the claimed design.

**1 Claim, 9 Drawing Sheets**

(56) **References Cited**

U.S. PATENT DOCUMENTS

- 2,891,330 A \* 6/1959 Murphy ..... E01H 5/02  
37/285
- 2,950,547 A \* 8/1960 Murphy ..... E01H 5/04  
37/237
- 5,220,986 A \* 6/1993 Winkler, III ..... B65G 11/203  
193/25 A
- D353,929 S \* 12/1994 Kincaid ..... D34/28
- 5,570,524 A \* 11/1996 Groat ..... E04D 13/106  
37/268
- D397,810 S \* 9/1998 Basset ..... D25/199
- D400,986 S \* 11/1998 Kanta ..... D25/199



(56)

**References Cited**

U.S. PATENT DOCUMENTS

D901,722 S \* 11/2020 Helms ..... D25/119  
D914,246 S \* 3/2021 Helms ..... D25/119

\* cited by examiner

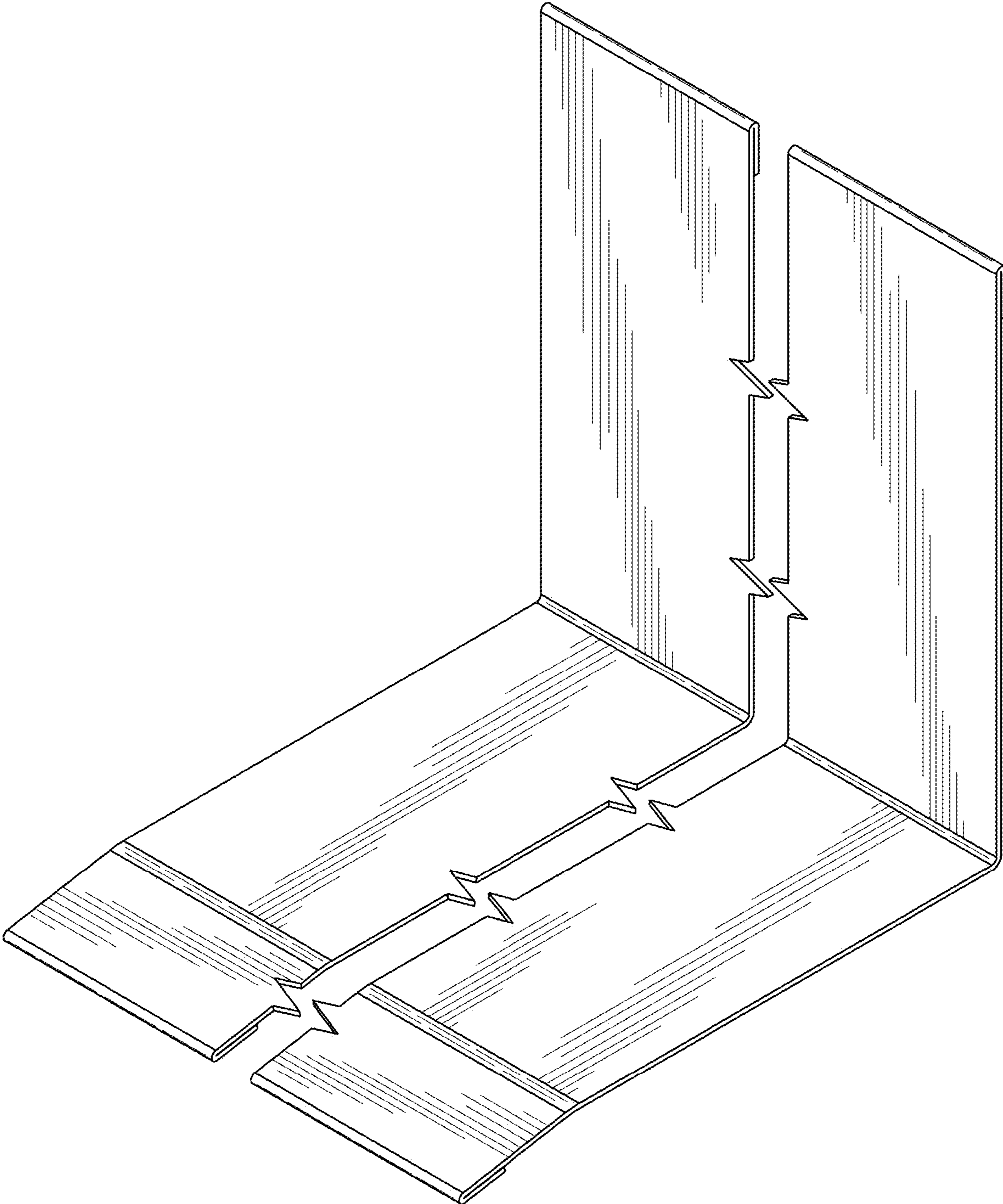


FIG. 1

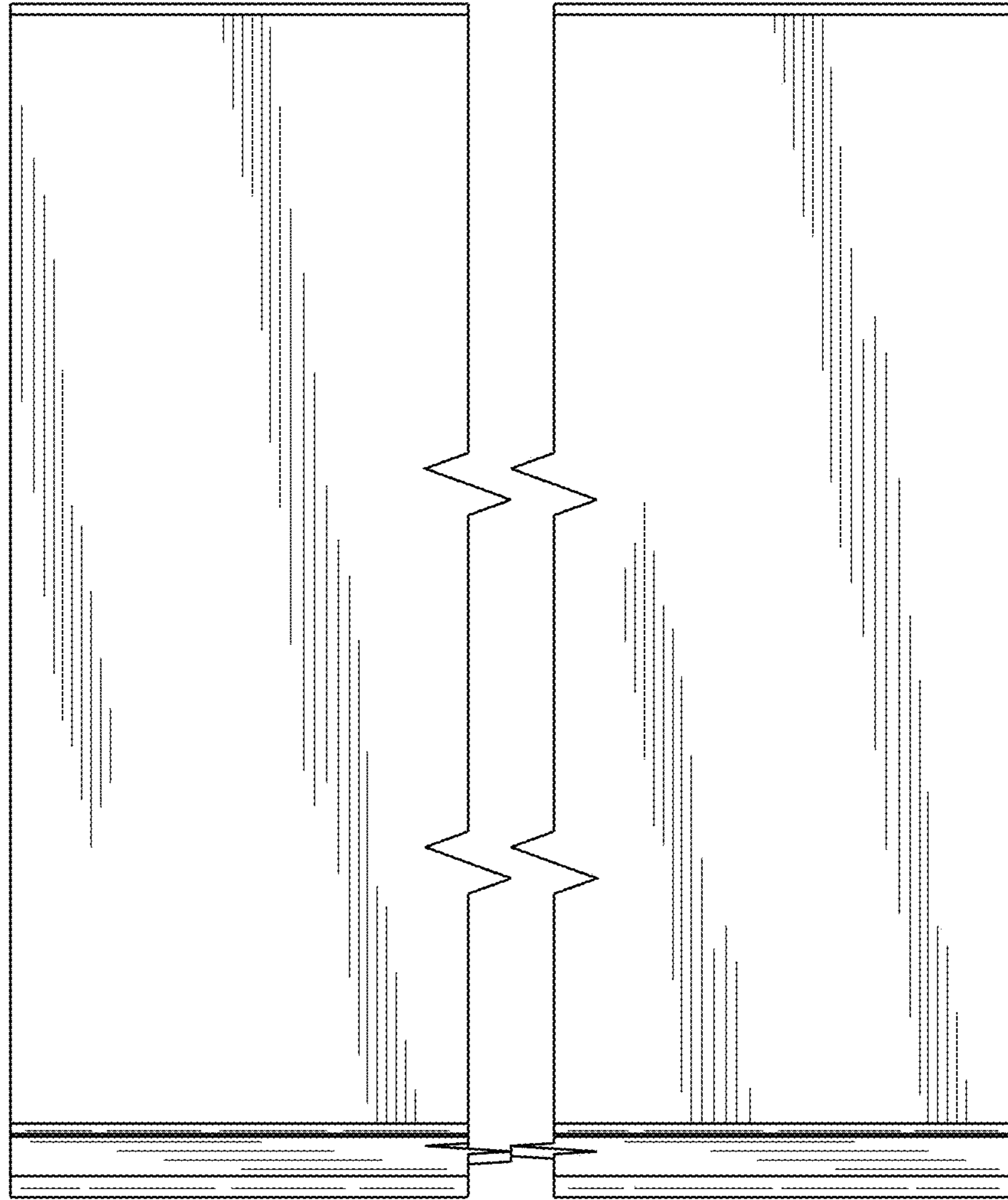


FIG. 2

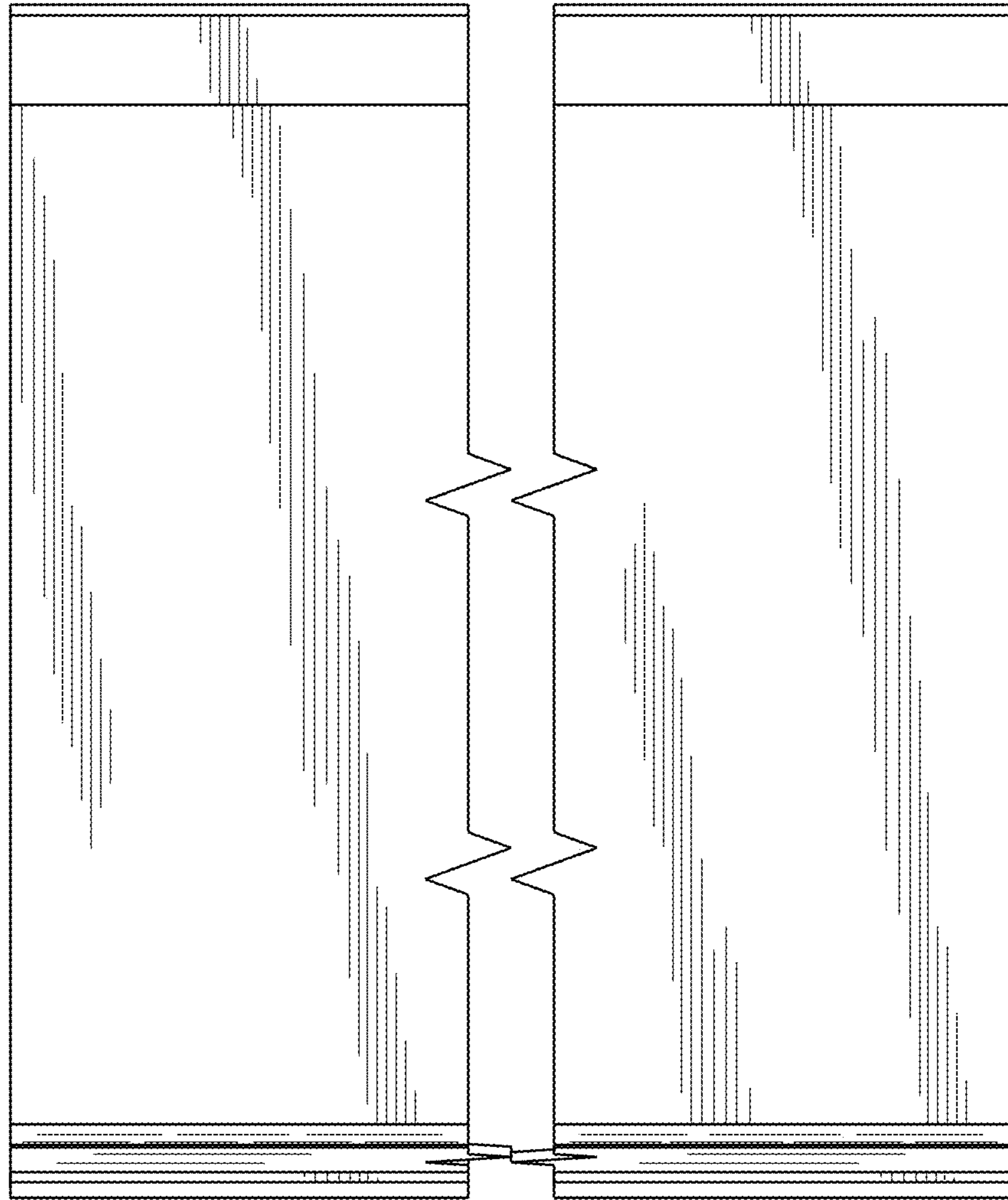


FIG. 3

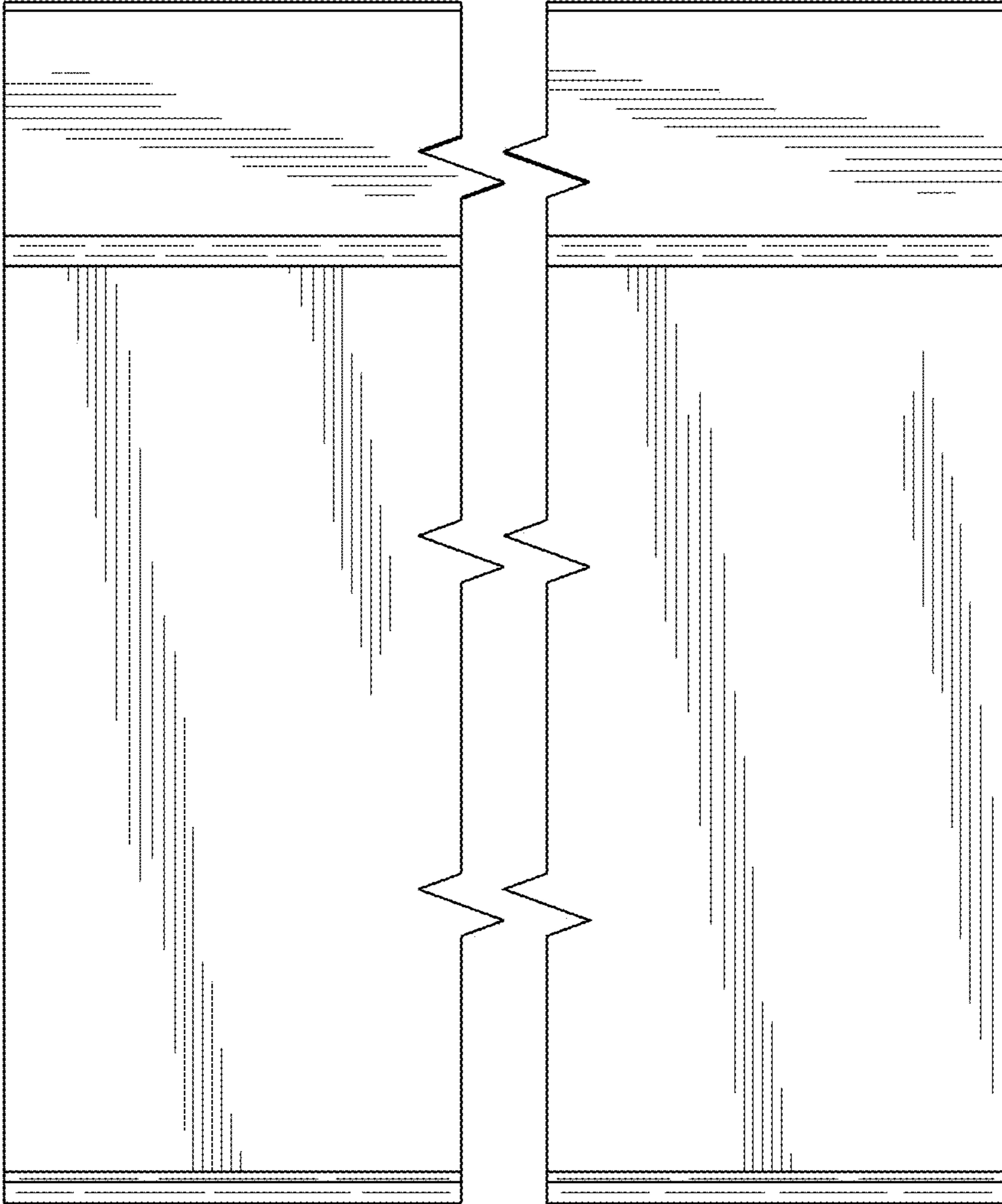


FIG. 4

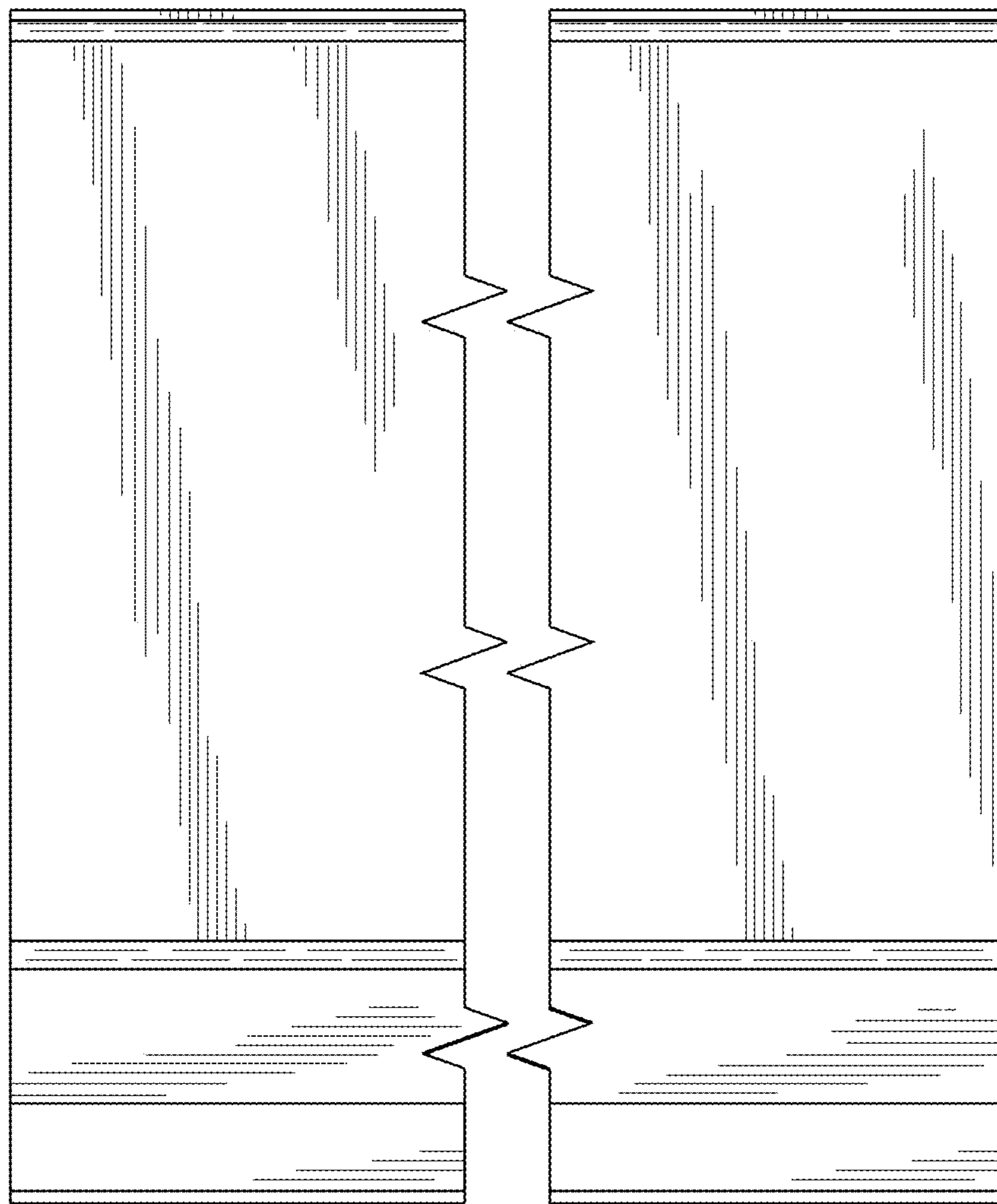


FIG. 5

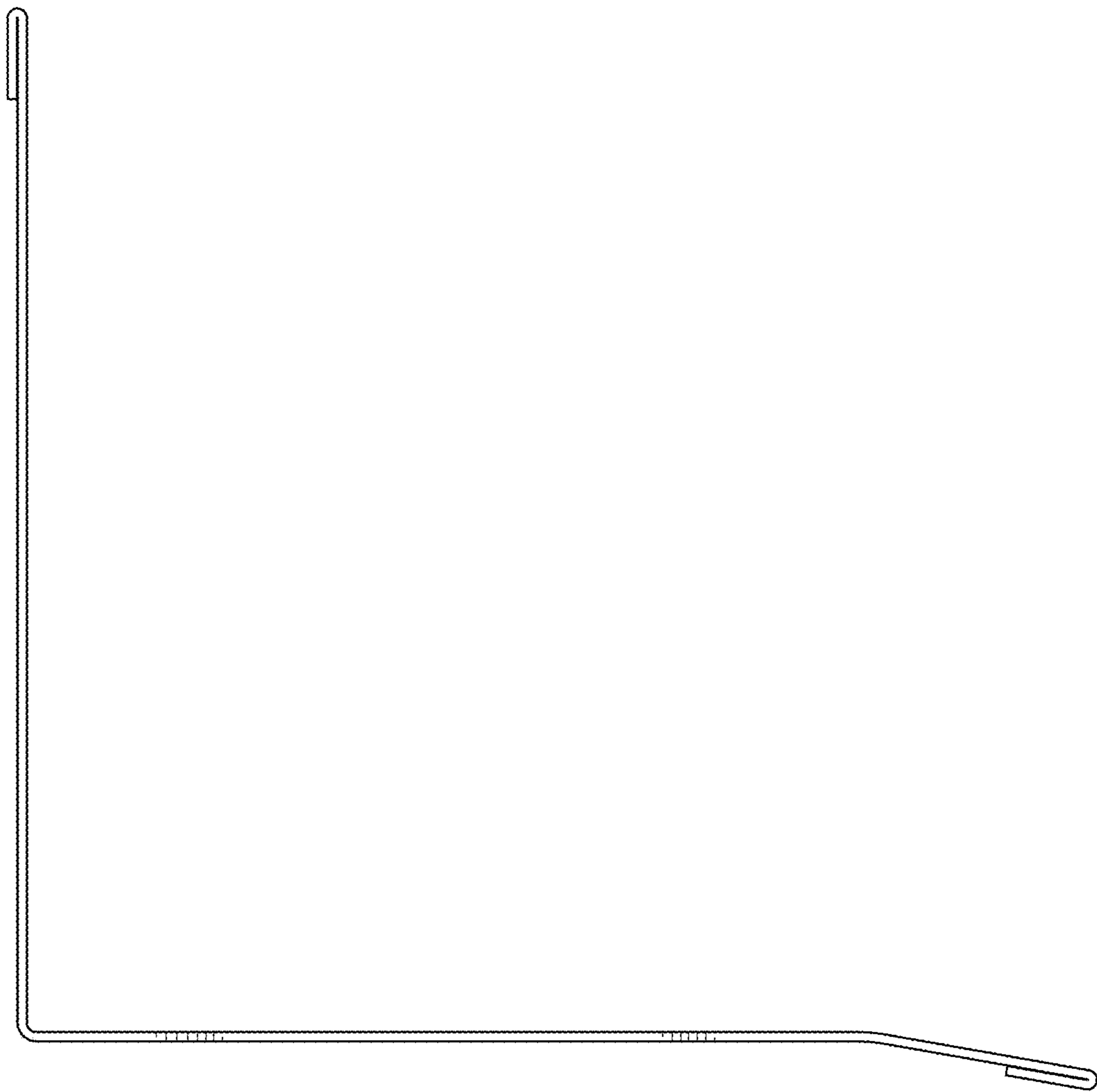


FIG. 6



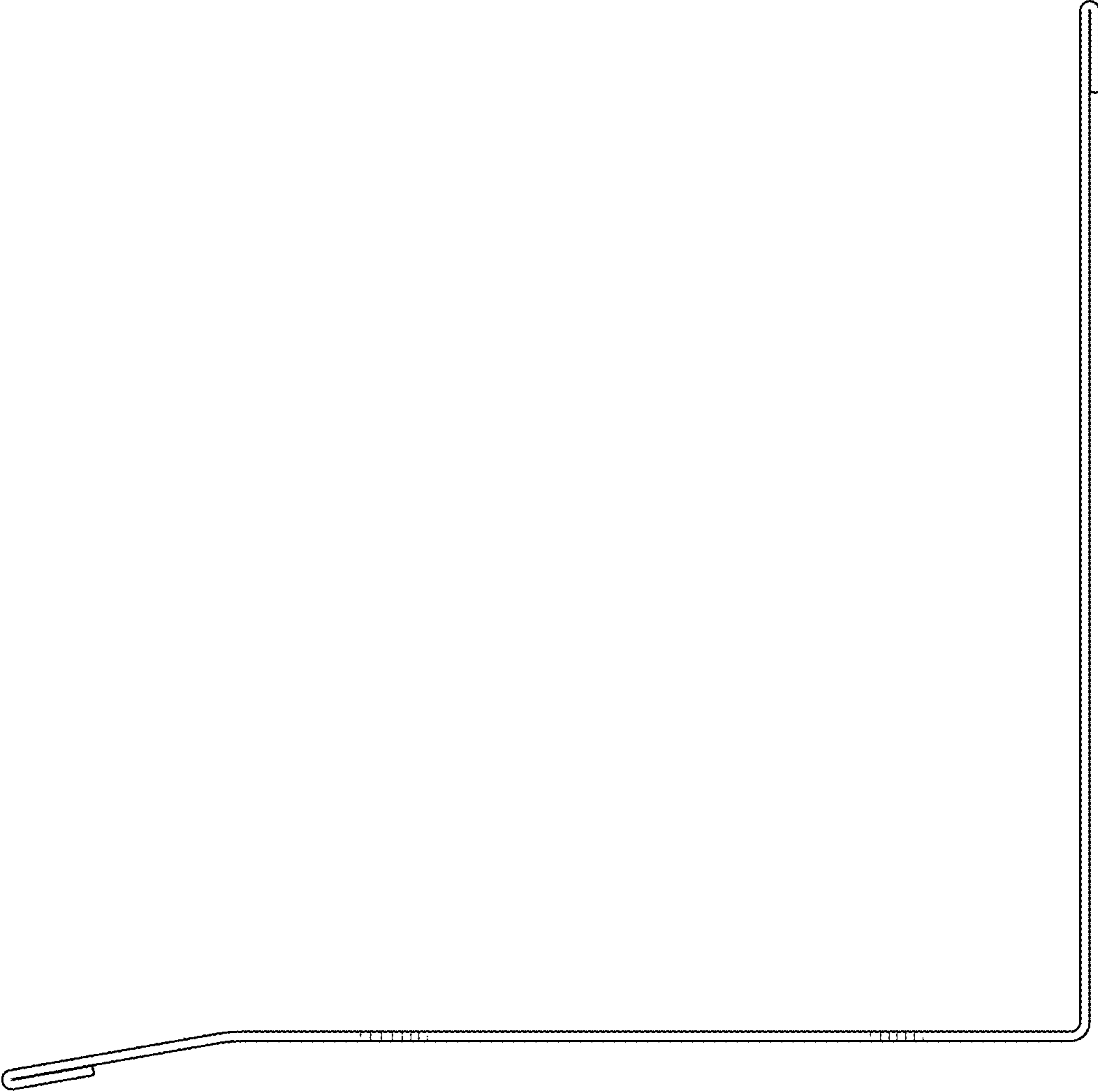


FIG. 7

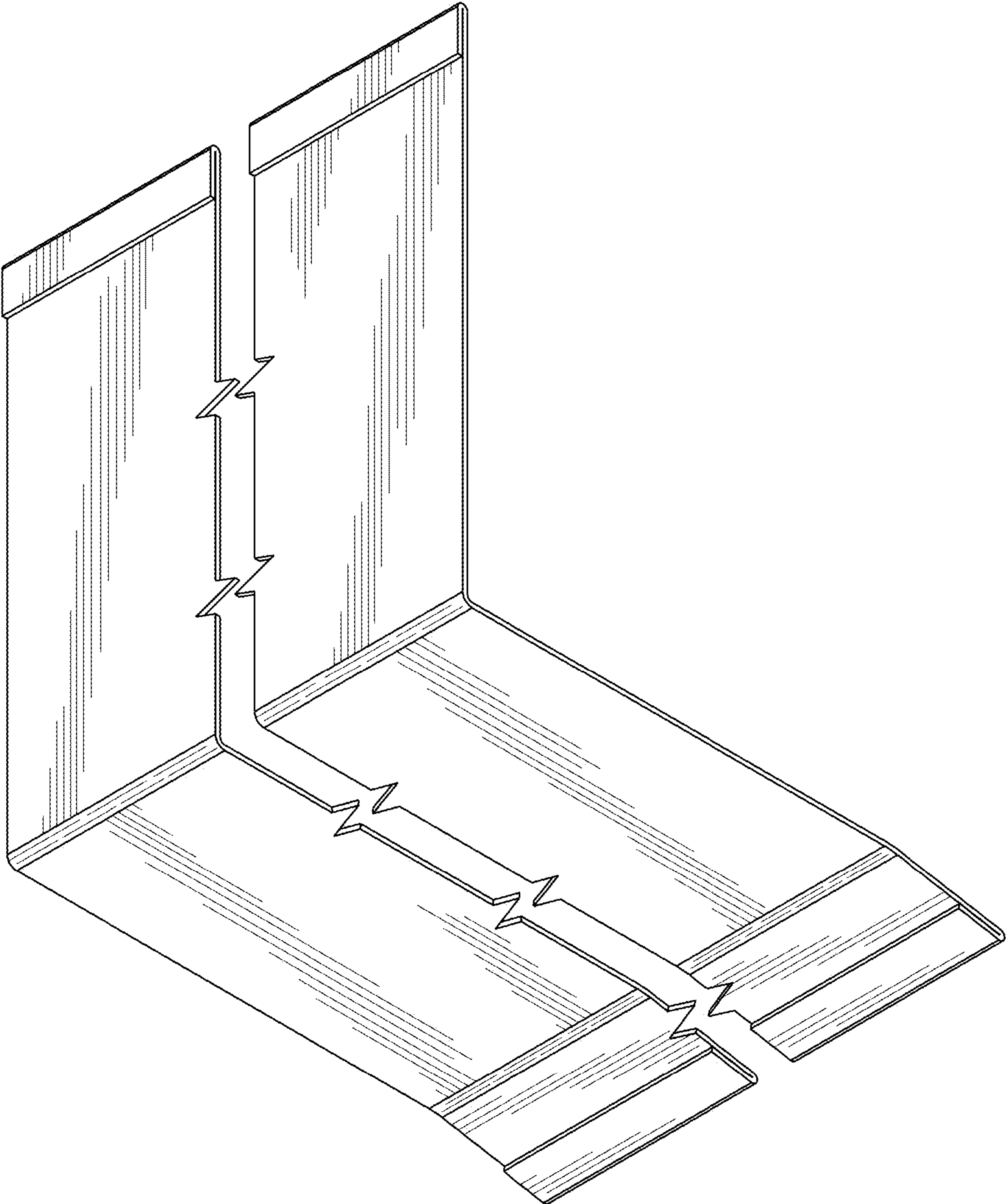


FIG. 8

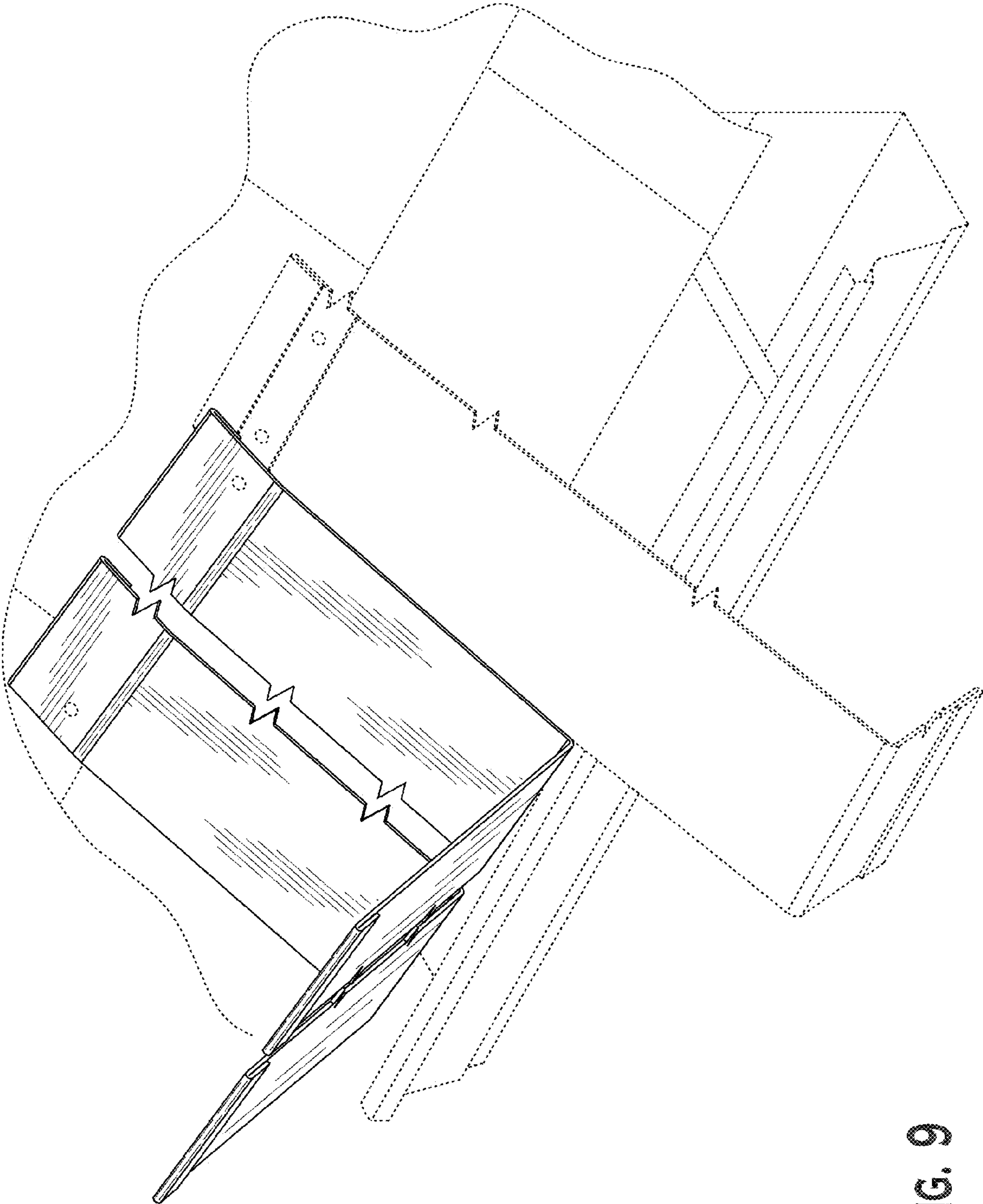


FIG. 9