



US00D930934S

(12) **United States Design Patent**
Hale et al.

(10) **Patent No.:** **US D930,934 S**

(45) **Date of Patent:** **** Sep. 14, 2021**

(54) **TOOL ORGANIZER**

(71) Applicant: **QUALITY CRAFT INDUSTRIES, INC.**, Rogersville, MO (US)

(72) Inventors: **Dennis Hale**, Willowbrook, IL (US); **Marcus Willi Karl Gerhard Bosch**, Belding, MI (US); **John Hoppes**, Antioch, IL (US)

(73) Assignee: **QUALITY CRAFT INDUSTRIES, INC.**, Romeoville, IL (US)

(**) Term: **15 Years**

(21) Appl. No.: **29/705,700**

(22) Filed: **Sep. 13, 2019**

(51) **LOC (13) Cl.** **12-02**

(52) **U.S. Cl.**
USPC **D34/14**

(58) **Field of Classification Search**
USPC D34/12-27; D6/567, 552, 524, 527, 571;
D3/313
CPC A47F 7/00; A47F 7/0021; A47F 7/0028;
A47F 5/021; B25H 3/025; B25H 3/04;
B25H 3/06

See application file for complete search history.

(56) **References Cited**

U.S. PATENT DOCUMENTS

D398,123 S *	9/1998	Dell	D34/12
6,105,768 A *	8/2000	Brown	B25H 3/04 206/373
6,360,891 B1 *	3/2002	Rideout	B25H 3/00 206/372
D472,712 S *	4/2003	Sagen	D3/313
D517,768 S *	3/2006	Arceta	D24/185
D650,142 S *	12/2011	McRorie	D34/14
D708,411 S *	7/2014	Schnautz	D34/14
8,770,419 B2	7/2014	Carlton	
D730,011 S *	5/2015	McRorie	D34/14

9,585,476 B2 *	3/2017	Swisher	A47B 97/00
D786,522 S *	5/2017	Houlihan	B62B 3/008 D34/14
D878,094 S *	3/2020	Lawrence	D6/552
2007/0205166 A1 *	9/2007	Meinhardt	B25H 3/025 211/70.6
2013/0328467 A1 *	12/2013	Carlton	A47F 7/00 312/280

(Continued)

OTHER PUBLICATIONS

Rotating Tool Organizer, announced 2016 [online], [site visited Feb. 11, 2021]. Available from internet, URL: <https://www.riogrande.com/product/PlasticRotatingBurToolOrganizer/346039> (Year: 2016).*

(Continued)

Primary Examiner — George A Bugg

Assistant Examiner — Tamara L Hahn

(74) *Attorney, Agent, or Firm* — Shook, Hardy & Bacon L.L.P.

(57)

CLAIM

The ornamental design for a tool organizer, as shown and described.

DESCRIPTION

FIG. 1 is a perspective view of a tool organizer showing our design;

FIG. 2 is a front view thereof;

FIG. 3 is a left side view thereof;

FIG. 4 is a rear view thereof;

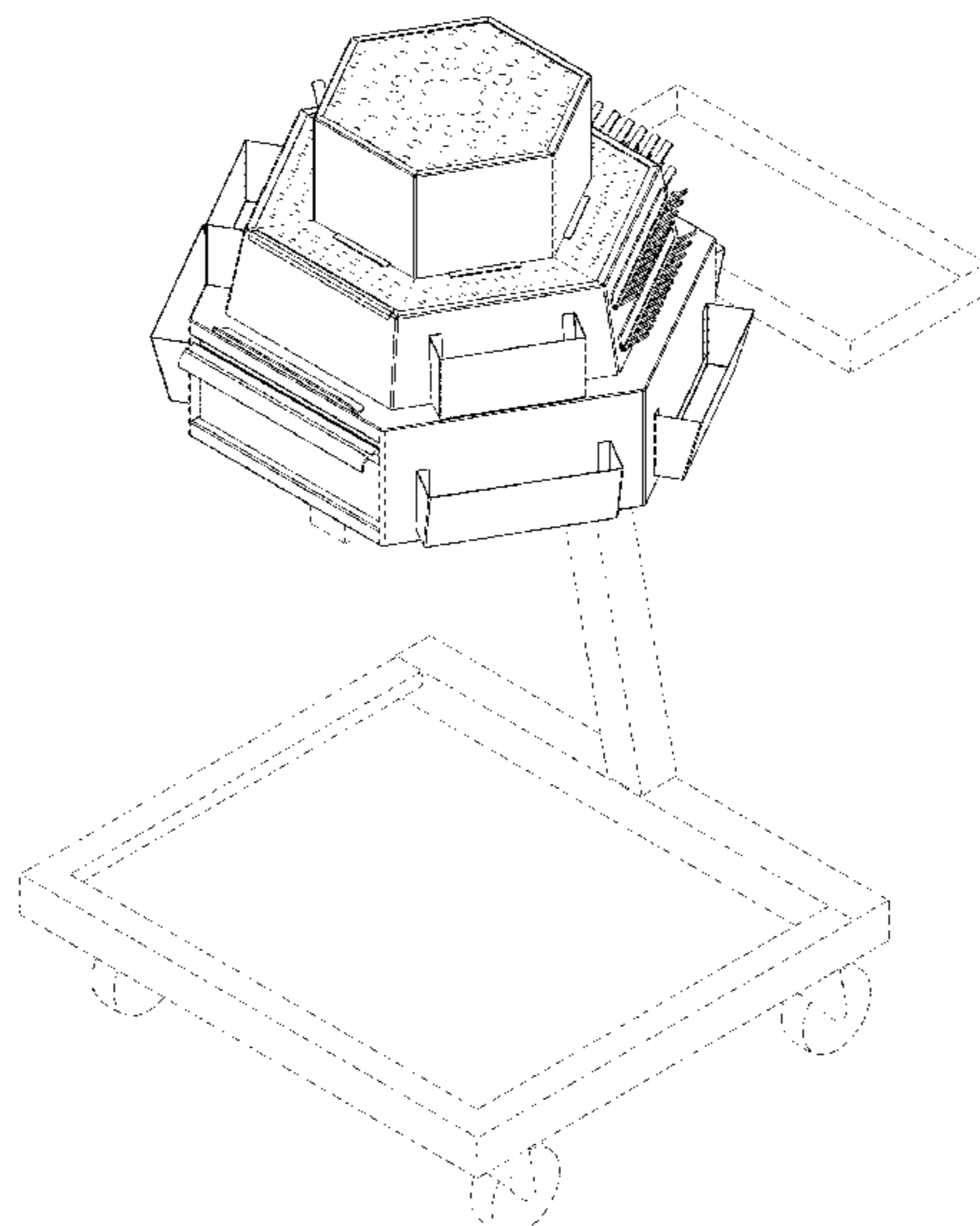
FIG. 5 is a right side view thereof;

FIG. 6 is a top view thereof; and,

FIG. 7 is a bottom view thereof.

The circular shaped broken lines in FIGS. 1 and 6 show portions of the tool organizer that form no part of the claimed design. The additional broken lines are to show environment and form no part of the claimed design.

1 Claim, 7 Drawing Sheets



(56)

References Cited

U.S. PATENT DOCUMENTS

2015/0196370 A1* 7/2015 Wong A61B 50/22
206/350

OTHER PUBLICATIONS

Six-Sided Organizer announced 2015 [online], [site visited Feb. 11, 2021]. Available from internet, URL: <https://www.riogrande.com/product/WoodSixSidedRotatingBurToolOrganizer/346043> (Year: 2015).*
<https://www.redbarontools.com/collections/frontpage>.

* cited by examiner

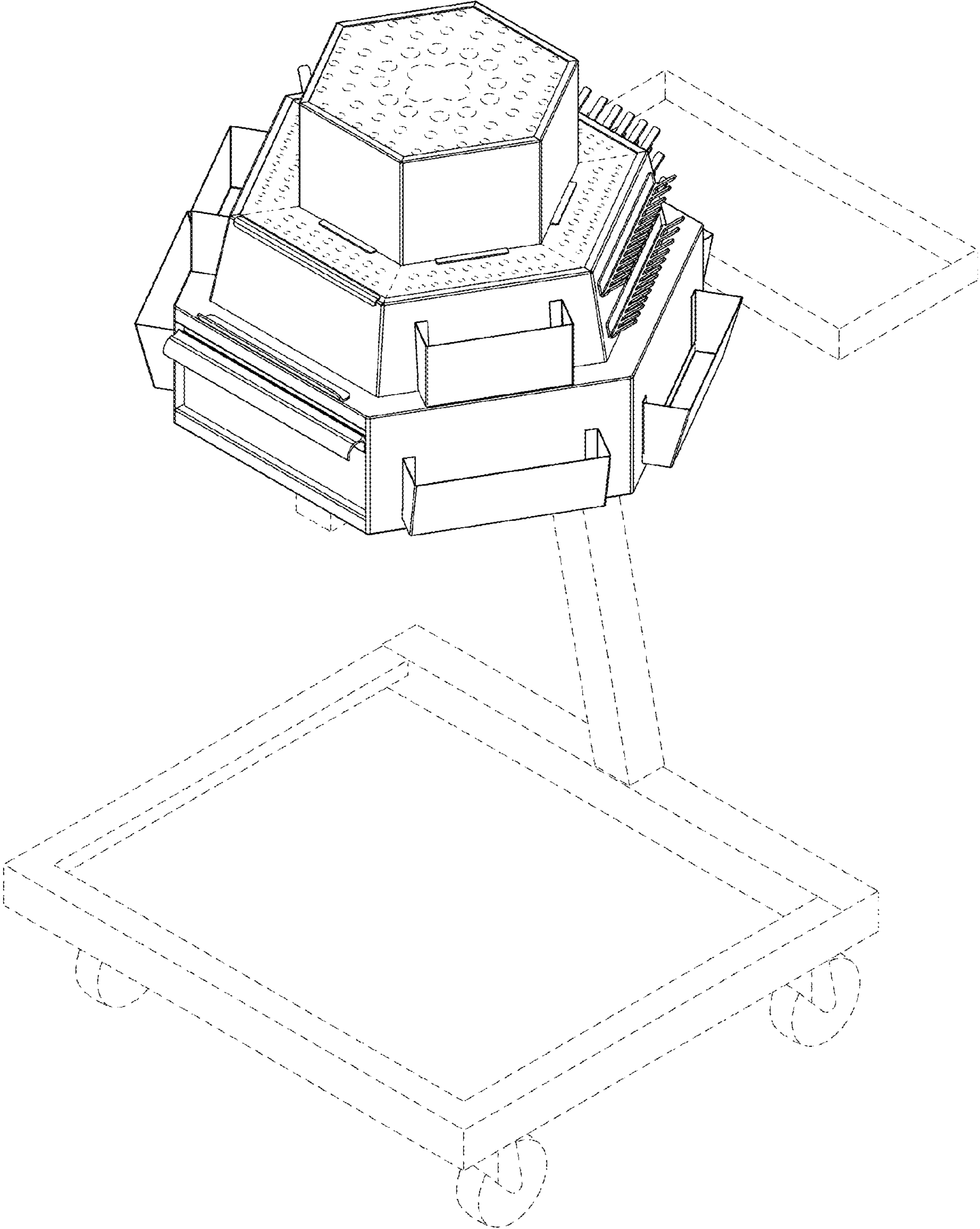


FIG. 1

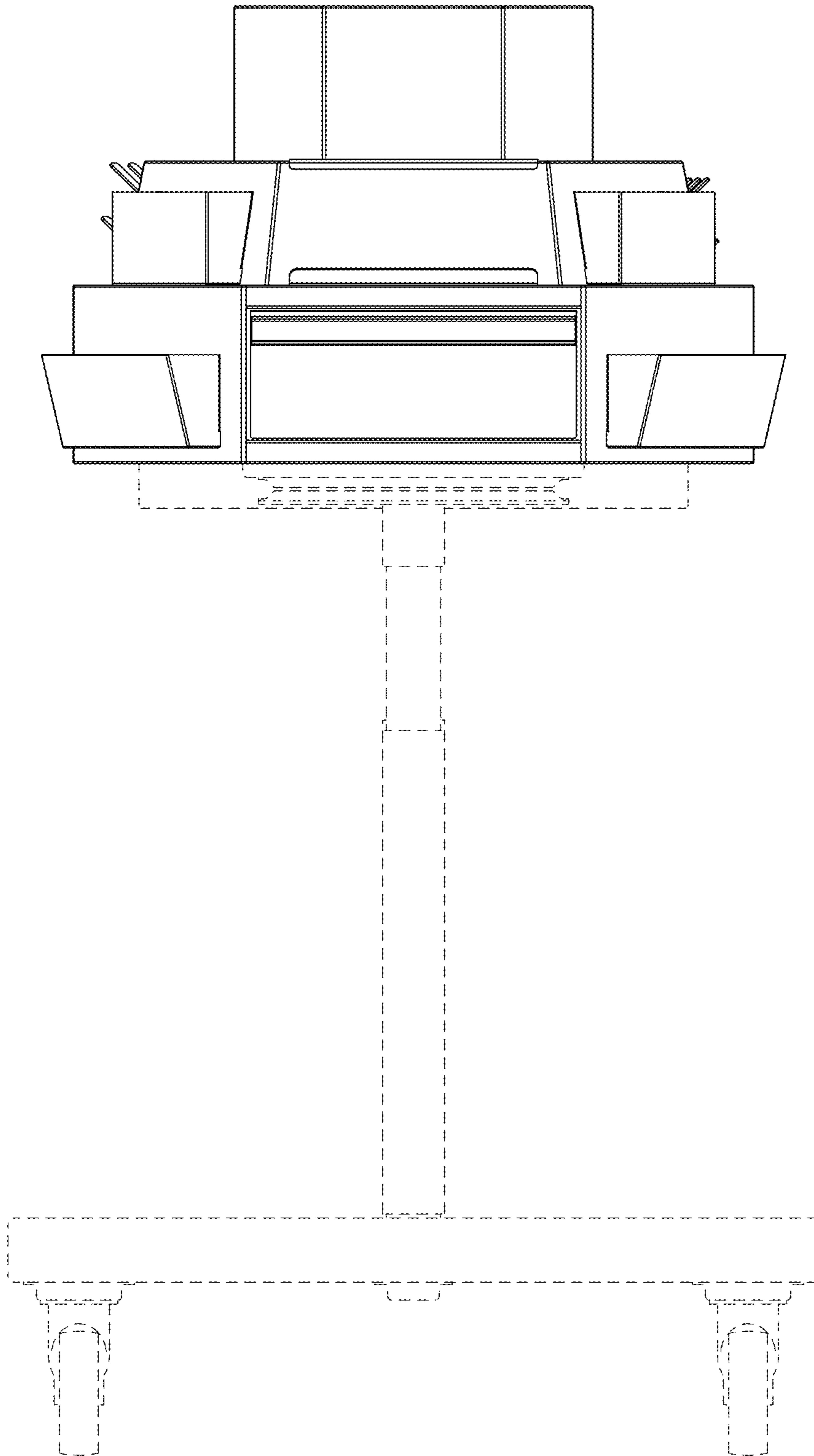


FIG. 2

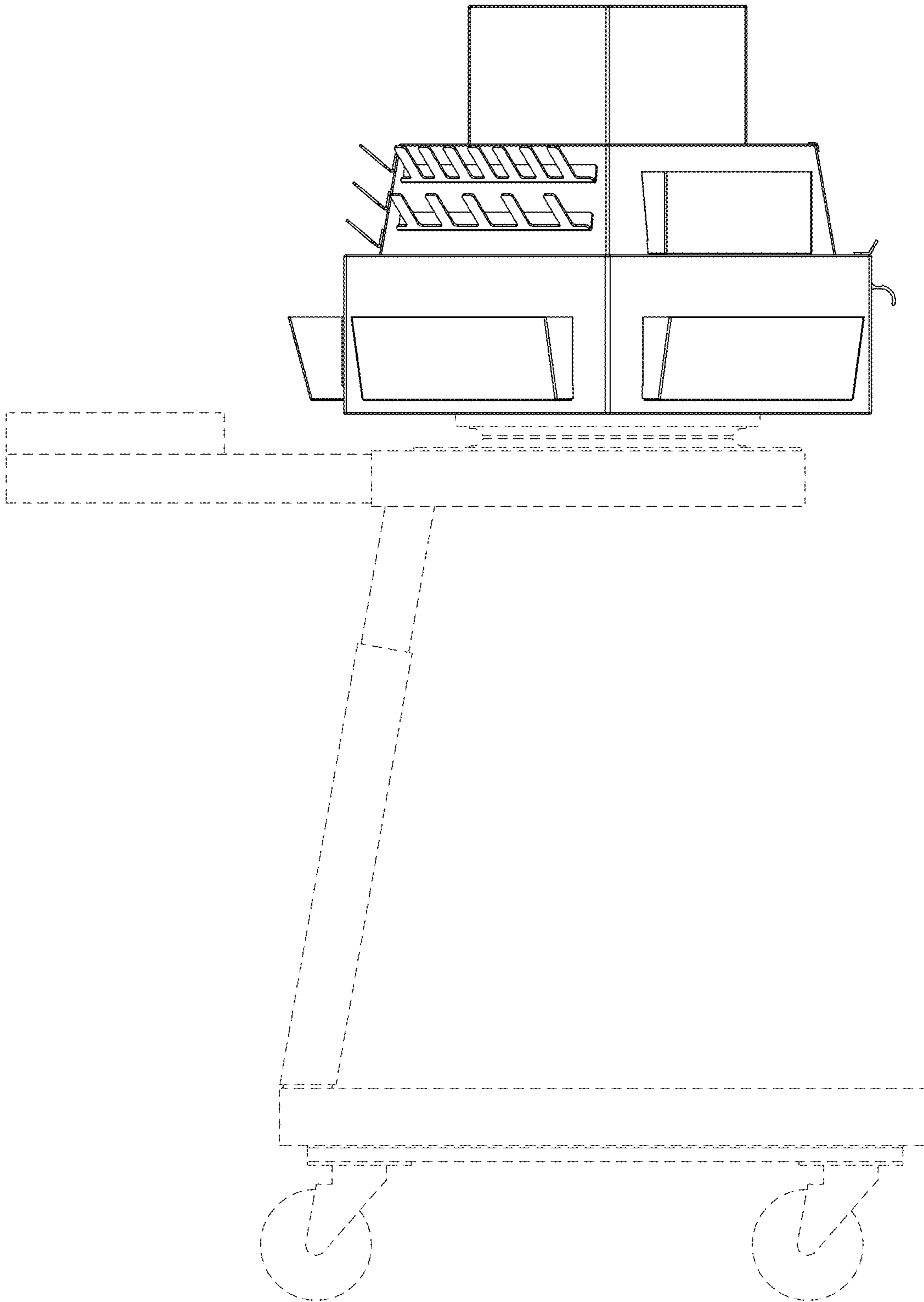


FIG. 3

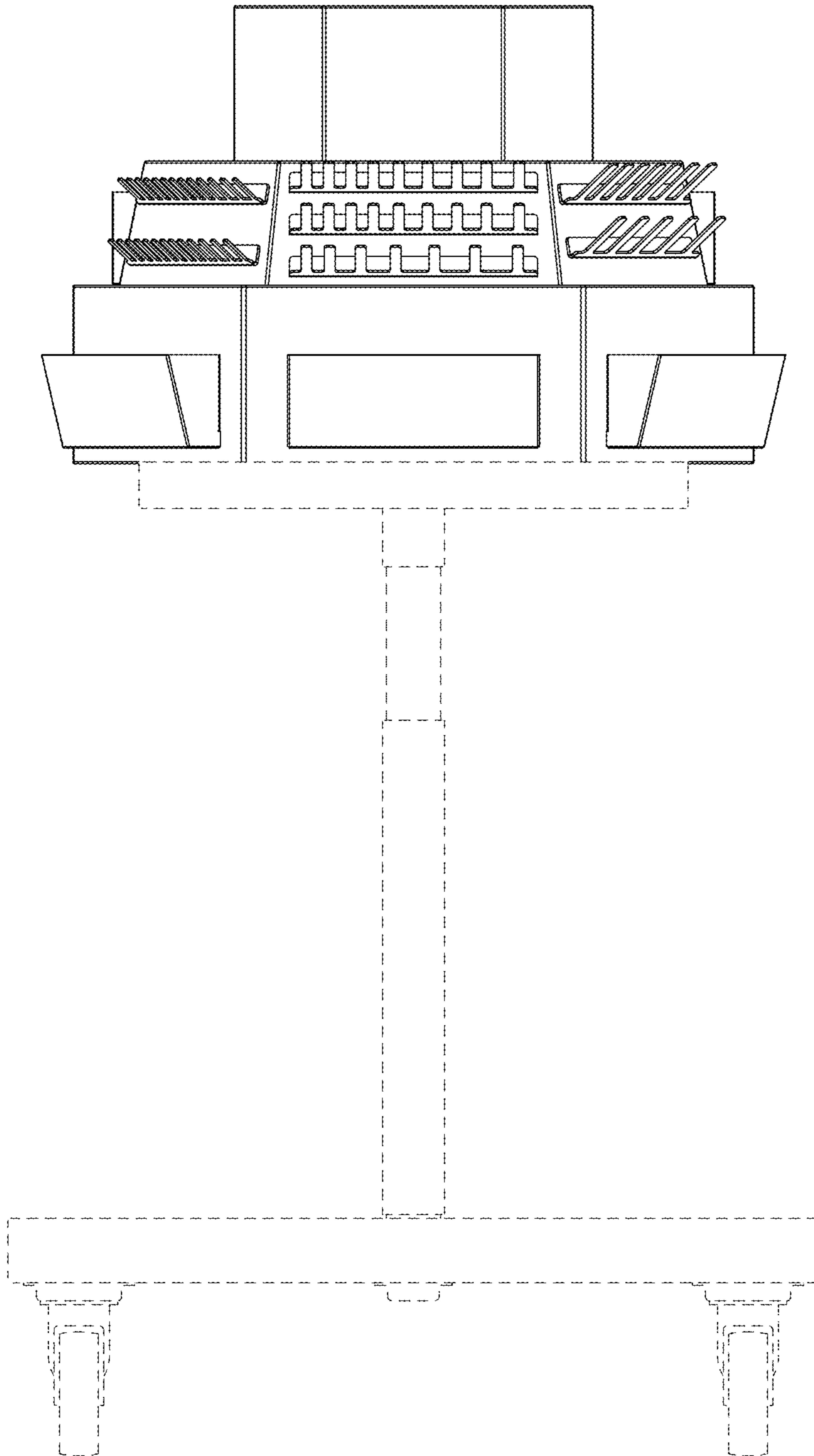


FIG. 4

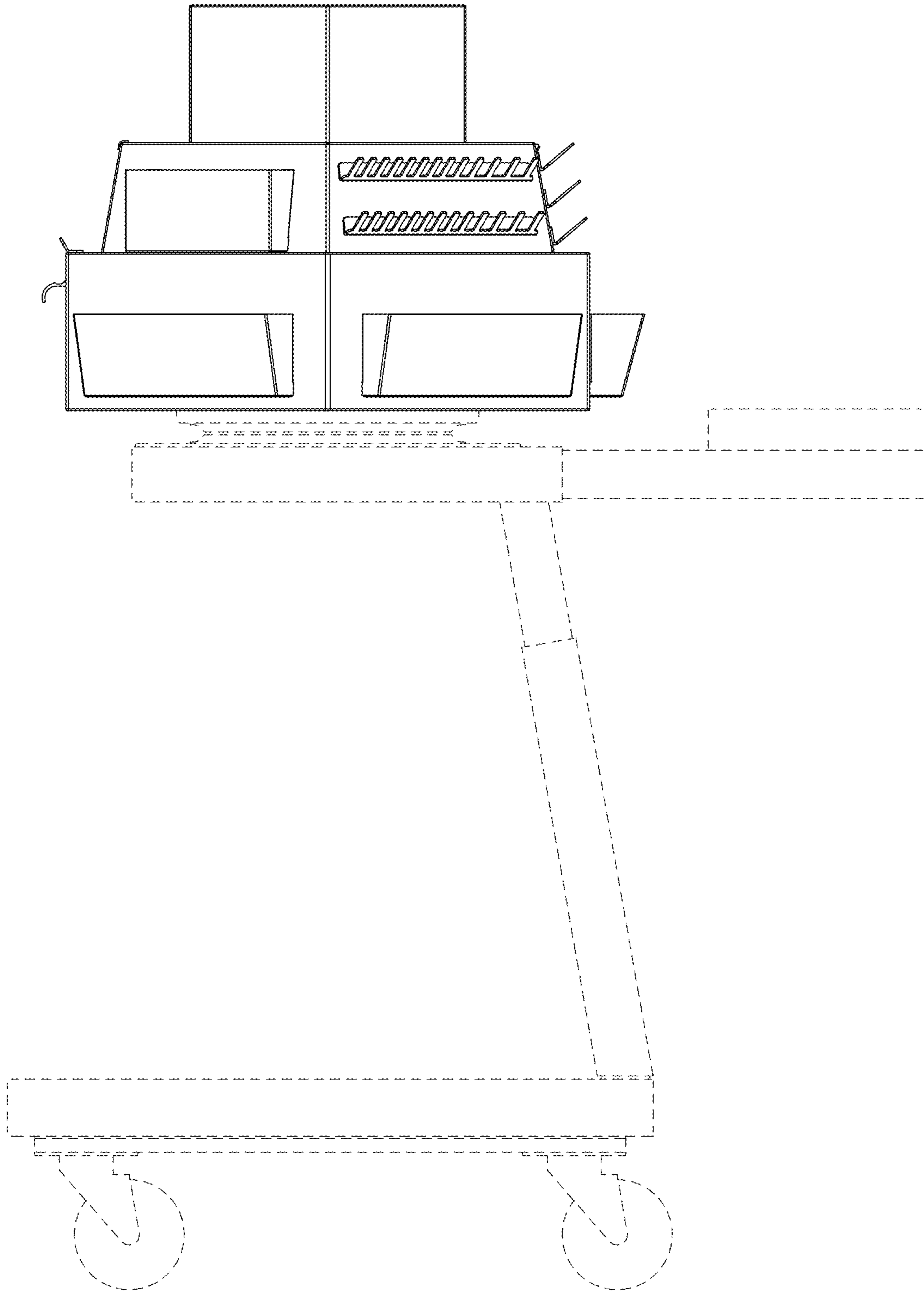


FIG. 5

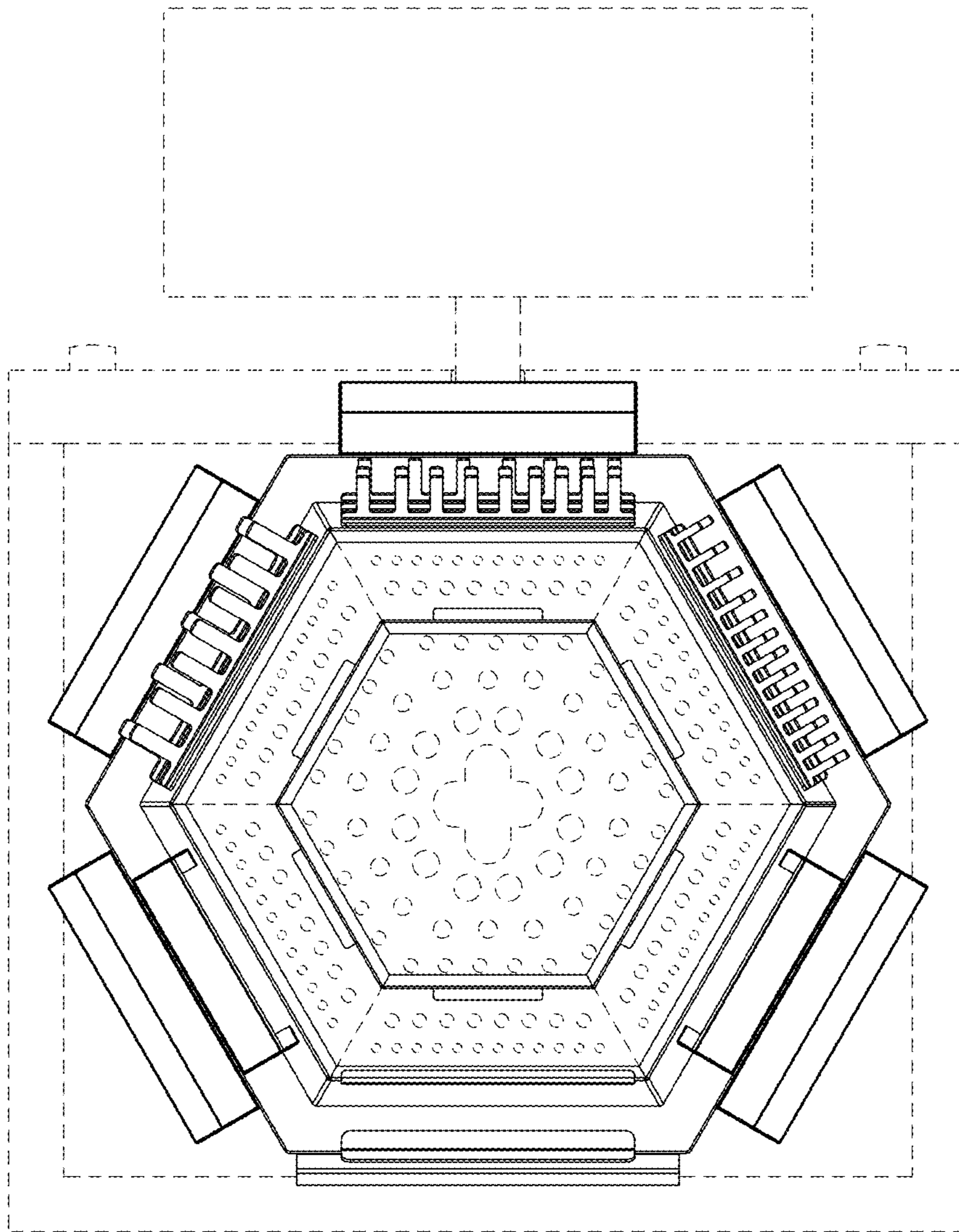


FIG. 6

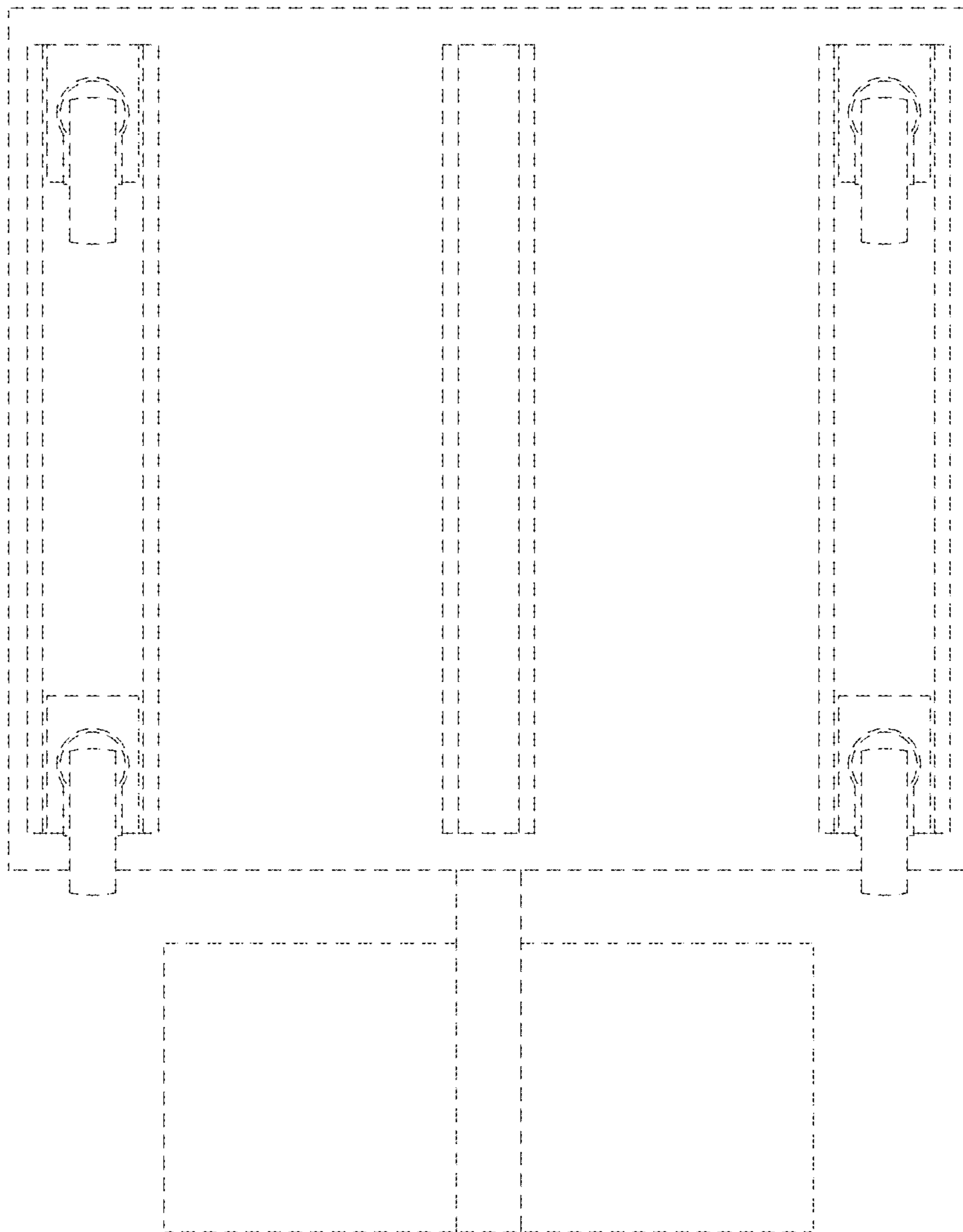


FIG. 7