



US00D930933S

(12) **United States Design Patent**
Yang et al.

(10) **Patent No.: US D930,933 S**
(45) **Date of Patent: ** Sep. 14, 2021**

(54) **TRASH CAN**

FOREIGN PATENT DOCUMENTS

(71) Applicant: **simplehuman, LLC**, Torrance, CA
(US)

AU 622536 4/1992
AU 365296 11/2015

(Continued)

(72) Inventors: **Frank Yang**, Rancho Palos Verdes, CA
(US); **Di-Fong Chang**, Torrance, CA
(US); **Myk Lum**, Irvine, CA (US);
Adam Wade, Rancho Santa Margarita,
CA (US); **Helen Miller**, Diamond Bar,
CA (US)

OTHER PUBLICATIONS

Google search Jul. 20, 2021, Simplehuman 45I, pedal rectangular,
<https://www.alzashop.com/simplehuman-45I-pedal-rectangular-white-plastic-stainless-steel-d5841987.htm> (Year: 2021).*

(Continued)

(73) Assignee: **simplehuman, LLC**, Torrance, CA
(US)

Primary Examiner — Cynthia Ramirez

(**) Term: **15 Years**

(74) *Attorney, Agent, or Firm* — Knobbe, Martens, Olson
& Bear, LLP

(21) Appl. No.: **29/778,497**

(57) **CLAIM**

(22) Filed: **Apr. 13, 2021**

The ornamental design for a trash can, as shown and
described.

Related U.S. Application Data

DESCRIPTION

(60) Continuation of application No. 16/284,996, filed on
Feb. 25, 2019, which is a division of application No.
(Continued)

(51) **LOC (13) Cl.** **09-09**

(52) **U.S. Cl.**
USPC **D34/9**

(58) **Field of Classification Search**
USPC D34/1, 7, 8, 9, 10, 11
(Continued)

FIG. 1 illustrates a front top perspective view of a trash can.
FIG. 2 illustrates a rear top perspective view of the trash can
of FIG. 1.

FIG. 3 illustrates a rear bottom perspective view of the trash
can of FIG. 1.

FIG. 4 illustrates a front view of the trash can of FIG. 1.

FIG. 5 illustrates a left side view of the trash can of FIG. 1,
the right side view being a mirror image of the left side view.

FIG. 6 illustrates a rear view of the trash can of FIG. 1.

FIG. 7 illustrates a top view of the trash can of FIG. 1; and,
FIG. 8 illustrates a bottom view of the trash can of FIG. 1.

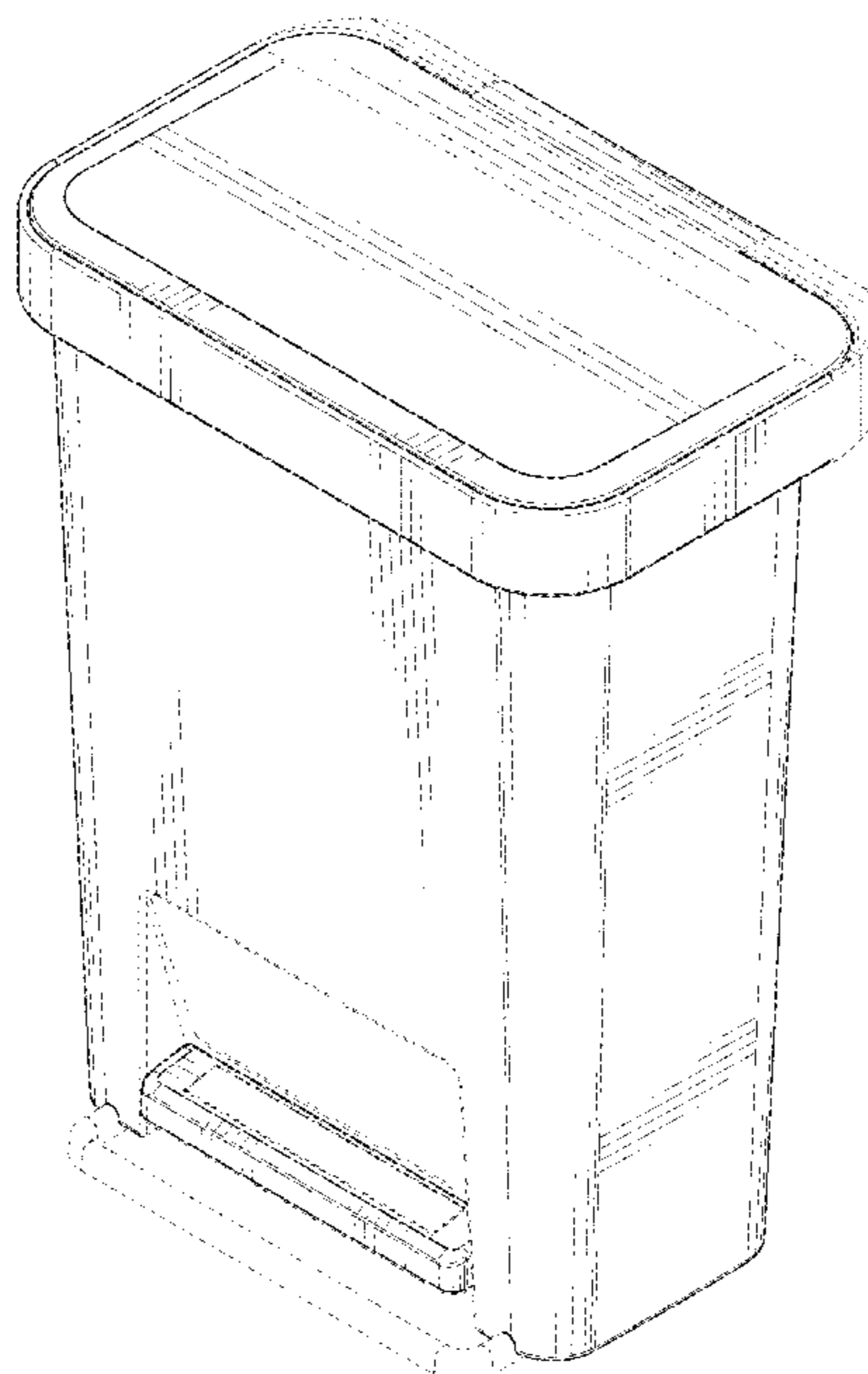
The broken lines shown in the figures are included for the
purpose of illustrating unclaimed portions of the trash can
and form no part of the claimed design.

(56) **References Cited**

U.S. PATENT DOCUMENTS

830,182 A 9/1906 Skov
1,426,211 A 8/1922 Pausin
(Continued)

1 Claim, 8 Drawing Sheets



Related U.S. Application Data

14/637,270, filed on Mar. 3, 2015, now Pat. No. 10,279,997.

(58) **Field of Classification Search**

CPC B65F 1/16; B65F 1/1607; B65F 1/1615; B65F 1/06; B65F 1/163; B65F 2220/12; B65F 2230/00; B65F 2250/1146; B65D 21/0209; B65D 88/121

See application file for complete search history.

(56) **References Cited**

U.S. PATENT DOCUMENTS

1,461,253 A	7/1923	Owen	4,834,260 A	5/1989	Auten
1,754,802 A	4/1930	Raster	4,863,053 A	9/1989	Oberg
1,820,555 A	8/1931	Buschman	4,867,339 A	9/1989	Hahn
1,891,651 A	12/1932	Padelford et al.	4,869,391 A	9/1989	Farrington
1,922,729 A	8/1933	Geibel	4,884,717 A	12/1989	Bussard et al.
1,980,938 A	11/1934	Geibel	4,888,532 A	12/1989	Josson
2,046,777 A	7/1936	Geibel	4,892,223 A	1/1990	DeMent
2,308,326 A	1/1943	Ambrose	4,892,224 A	1/1990	Graham
D148,825 S	2/1948	Snider	D307,344 S	4/1990	Massonnet
2,457,274 A	12/1948	Rifken	4,913,308 A	4/1990	Culbertson
2,593,455 A	4/1952	James	4,915,347 A	4/1990	Iqbal et al.
2,759,625 A	8/1956	Ritter	4,918,568 A	4/1990	Stone et al.
2,796,309 A	6/1957	Taylor	D308,272 S	5/1990	Koepsell
2,888,307 A	5/1959	Graves et al.	4,923,087 A	5/1990	Burrows
2,946,474 A	7/1960	Knapp	4,944,419 A	7/1990	Chandler
3,008,604 A	11/1961	Garner	4,948,004 A	8/1990	Chich
3,023,922 A	3/1962	Arrington et al.	4,964,523 A	10/1990	Bieltvedt et al.
3,137,408 A	6/1964	Taylor	4,972,966 A	11/1990	Craft, Jr.
3,300,082 A	1/1967	Patterson	4,996,467 A	2/1991	Day
3,392,825 A	7/1968	Gale et al.	5,031,793 A	7/1991	Chen et al.
3,451,453 A	6/1969	Heck	5,048,903 A	9/1991	Loblein
3,654,534 A	4/1972	Fischer	5,054,724 A	10/1991	Hutcheson
3,800,503 A	4/1974	Maki	5,065,272 A	11/1991	Owen et al.
3,820,200 A	6/1974	Myers	5,065,891 A	11/1991	Casey
3,825,150 A	7/1974	Taylor	D322,350 S	12/1991	Craft, Jr. et al.
3,825,215 A	7/1974	Borglum	5,076,462 A	12/1991	Perrone
3,886,425 A	5/1975	Weiss	D323,573 S	1/1992	Schneider
3,888,406 A	6/1975	Nippes	5,090,585 A	2/1992	Power
3,891,115 A	6/1975	Ono	5,090,785 A	2/1992	Stamp
4,014,457 A	3/1977	Hodge	5,100,087 A	3/1992	Ashby
4,027,774 A	6/1977	Cote	5,111,958 A	5/1992	Witthoeft
4,081,105 A	3/1978	Dagonnet et al.	D327,760 S	7/1992	Donnelly
4,189,808 A	2/1980	Brown	D329,929 S	9/1992	Knoedler et al.
4,200,197 A	4/1980	Meyer et al.	5,147,055 A	9/1992	Samson et al.
4,217,616 A	8/1980	Jessup	5,156,290 A	10/1992	Rodrigues
4,303,174 A	12/1981	Anderson	D331,097 S	11/1992	Sieren
4,320,851 A	3/1982	Montoya	5,170,904 A	12/1992	Neuhaus
4,349,123 A	9/1982	Yang	5,174,462 A	12/1992	Hames
4,357,740 A	11/1982	Brown	D332,852 S	1/1993	Delmerico
4,416,197 A	11/1983	Kehl	D335,562 S	5/1993	Evans
4,417,669 A	11/1983	Knowles et al.	5,213,272 A	5/1993	Gallagher et al.
4,457,483 A	7/1984	Gagne	5,222,704 A	6/1993	Light
4,535,911 A	8/1985	Goulter	D337,181 S	7/1993	Warman
4,570,304 A	2/1986	Montreuil et al.	5,226,558 A	7/1993	Whitney et al.
4,576,310 A	3/1986	Isgar et al.	5,230,525 A	7/1993	Delmerico et al.
D284,320 S	6/1986	Kubic et al.	5,242,074 A	9/1993	Conaway et al.
4,609,117 A	9/1986	Pamment	D340,333 S	10/1993	Duran et al.
4,630,332 A	12/1986	Bisbing	5,249,693 A	10/1993	Gillispie et al.
4,630,752 A	12/1986	DeMars	5,261,553 A	11/1993	Mueller et al.
4,664,347 A	5/1987	Brown et al.	5,265,511 A	11/1993	Itzov
4,697,312 A	10/1987	Freyer	5,295,607 A	3/1994	Chang
4,711,161 A	12/1987	Swin et al.	5,305,916 A	4/1994	Suzuki et al.
4,729,490 A	3/1988	Ziegenbein	5,314,151 A	5/1994	Carter-Mann
4,753,367 A	6/1988	Miller et al.	5,322,179 A	6/1994	Ting
4,763,808 A	8/1988	Guhl et al.	5,329,212 A	7/1994	Feigleson
4,765,548 A	8/1988	Sing	5,348,222 A	9/1994	Patey
4,765,579 A	8/1988	Robbins, III et al.	5,353,950 A	10/1994	Taylor et al.
4,785,964 A	11/1988	Miller et al.	5,372,272 A	12/1994	Jennings
4,792,039 A	12/1988	Dayton	5,381,588 A	1/1995	Nelson
4,794,973 A	1/1989	Perisic	5,385,258 A	1/1995	Sutherlin
4,813,592 A	3/1989	Stolzman	5,390,818 A	2/1995	LaBuda
4,823,979 A	4/1989	Clark, Jr.	5,404,621 A	4/1995	Heinke
			5,407,089 A	4/1995	Bird et al.
			5,419,452 A	5/1995	Mueller et al.
			5,471,708 A	12/1995	Lynch
			5,474,201 A	12/1995	Liu
			5,501,358 A	3/1996	Hobday
			D368,563 S	4/1996	Brightbill et al.
			5,520,067 A	5/1996	Gaba
			5,520,303 A	5/1996	Bernstein et al.
			5,527,840 A	6/1996	Chutko et al.
			5,531,348 A	7/1996	Baker et al.
			5,535,913 A	7/1996	Asbach et al.
			5,558,254 A	9/1996	Anderson et al.
			5,560,283 A	10/1996	Hannig
			5,584,412 A	12/1996	Wang
			D377,554 S	1/1997	Adriaansen
			5,611,507 A	3/1997	Smith
			5,628,424 A	5/1997	Gola

(56)

References Cited

U.S. PATENT DOCUMENTS

5,632,401 A	5/1997	Hurd	6,659,407 B2	12/2003	Asaro
5,636,416 A	6/1997	Anderson	6,681,950 B2	1/2004	Miller, Jr. et al.
5,636,761 A	6/1997	Diamond et al.	6,701,832 B1	3/2004	Hawkins
5,644,111 A	7/1997	Cerny et al.	D488,604 S	4/2004	Yang et al.
5,645,186 A	7/1997	Powers et al.	D488,903 S	4/2004	Yang et al.
5,650,680 A	7/1997	Chula	D489,503 S	5/2004	Lin
D383,277 S	9/1997	Peters	D489,855 S	5/2004	Tseng
5,662,235 A	9/1997	Nieto	D489,857 S	5/2004	Yang et al.
5,671,847 A	9/1997	Pedersen et al.	D490,583 S	5/2004	Yang et al.
5,690,247 A	11/1997	Boover	D490,954 S	6/2004	Brand
5,695,088 A	12/1997	Kasbohm	D491,706 S	6/2004	Yang et al.
5,699,929 A	12/1997	Ouno	6,758,366 B2	7/2004	Bourgund et al.
D388,922 S	1/1998	Peters	D493,930 S	8/2004	Wang
D389,631 S	1/1998	Peters	D494,723 S	8/2004	Lin
5,704,511 A	1/1998	Kellams	6,774,586 B1	8/2004	Shih
5,724,837 A	3/1998	Shin	6,785,912 B1	9/2004	Julio
5,730,312 A	3/1998	Hung	6,812,655 B1	11/2004	Wang et al.
5,732,845 A	3/1998	Armaly, Jr.	6,814,249 B2	11/2004	Lin
5,735,495 A	4/1998	Kubota	D499,450 S	12/2004	Goodman et al.
5,738,239 A	4/1998	Triglia	6,837,393 B1	1/2005	Kuo
5,770,935 A	6/1998	Smith et al.	6,857,538 B2	2/2005	Lin
5,799,909 A	9/1998	Ziegler	6,859,005 B2	2/2005	Boliver
5,816,431 A	10/1998	Giannopoulos	D503,021 S	3/2005	Yang et al.
5,816,640 A	10/1998	Nishimura	D503,022 S	3/2005	Lai
D401,028 S	11/1998	Ahern, Jr. et al.	D503,502 S	3/2005	Lai
D401,383 S	11/1998	Gish	6,866,826 B2	3/2005	Moore et al.
D401,719 S	11/1998	Van Leeuwen et al.	6,883,676 B2	4/2005	Lin
5,873,643 A	2/1999	Burgess, Jr. et al.	D507,090 S	7/2005	Yang et al.
5,881,896 A	3/1999	Presnell et al.	6,920,994 B2	7/2005	Lin
5,881,901 A	3/1999	Hampton	D509,339 S	9/2005	Lin
5,884,237 A	3/1999	Kanki et al.	6,974,948 B1	12/2005	Brent
5,887,748 A	3/1999	Nguyen	D513,445 S	1/2006	Lin
D412,552 S	8/1999	Burrows	6,981,606 B2	1/2006	Yang et al.
5,961,105 A	10/1999	Ehrnsberger et al.	D517,764 S	3/2006	Wang
5,967,355 A	10/1999	Ragot	D517,767 S	3/2006	Yang et al.
5,967,392 A	10/1999	Niemi et al.	D518,266 S	3/2006	Yang et al.
5,987,708 A	11/1999	Newton	7,017,773 B2	3/2006	Gruber et al.
6,000,569 A	12/1999	Liu	D522,203 S	5/2006	Lin
6,010,024 A	1/2000	Wang	D522,204 S	5/2006	Lin
6,024,238 A	2/2000	Jaros	7,044,323 B2	5/2006	Yang
6,036,050 A	3/2000	Ruane	D522,704 S	6/2006	Lin
6,102,239 A	8/2000	Wien	D524,504 S	7/2006	Lin
6,105,859 A	8/2000	Stafford	D525,756 S	7/2006	Yang et al.
6,123,215 A	9/2000	Windle	7,073,677 B2	7/2006	Richardson et al.
D431,700 S	10/2000	Roudebush	7,077,283 B2	7/2006	Yang et al.
6,126,031 A	10/2000	Reason	7,080,750 B2	7/2006	Wein et al.
6,129,233 A	10/2000	Schiller	D526,457 S	8/2006	Lin
6,131,861 A	10/2000	Fortier, Jr. et al.	D526,458 S	8/2006	Lin
D435,951 S	1/2001	Yang et al.	D526,756 S	8/2006	Lin
6,209,744 B1	4/2001	Gill	7,086,550 B2	8/2006	Yang et al.
6,211,637 B1	4/2001	Studer	D528,726 S	9/2006	Lin
6,234,339 B1	5/2001	Thomas	D530,476 S	10/2006	Lin
6,250,492 B1	6/2001	Verbeek	D530,874 S	10/2006	Lin
D445,980 S	7/2001	Tjugum	7,121,421 B2	10/2006	Yang et al.
6,286,706 B1	9/2001	Tucker	D531,499 S	11/2006	Zaidman
6,328,320 B1	12/2001	Walski et al.	D535,450 S	1/2007	Chen
6,345,725 B1	2/2002	Lin	D535,799 S	1/2007	Epps
6,364,147 B1	4/2002	Meinzinger et al.	D535,800 S	1/2007	Yang et al.
6,386,386 B1	5/2002	George	7,163,591 B2	1/2007	Kim et al.
6,390,321 B1	5/2002	Wang	7,168,591 B1	1/2007	Miller
6,401,958 B1	6/2002	Foss et al.	D537,223 S	2/2007	Lin
D466,667 S	12/2002	Lin	D537,597 S	2/2007	Bolden
6,519,130 B1	2/2003	Breslow	D537,599 S	2/2007	Lin
6,557,716 B1	5/2003	Chan	D537,601 S	2/2007	Lin
D476,456 S	6/2003	Englert et al.	D537,999 S	3/2007	Lin
D476,457 S	6/2003	Verbeek	D538,995 S	3/2007	Lin
6,596,983 B2	7/2003	Brent	D539,498 S	3/2007	Yang et al.
D480,193 S	9/2003	Wang	D539,499 S	3/2007	Yang et al.
6,612,099 B2	9/2003	Stravitz	D540,001 S	4/2007	Zimmerman
6,626,316 B2	9/2003	Yang	D542,001 S	5/2007	Yang et al.
6,626,317 B2	9/2003	Pfiefer et al.	D542,995 S	5/2007	Lin
D481,508 S	10/2003	Wang	D543,673 S	5/2007	Yang et al.
6,632,064 B1	10/2003	Walker et al.	D544,170 S	6/2007	Lin
D481,846 S	11/2003	Lin	D544,171 S	6/2007	Lin
D482,169 S	11/2003	Lin	D544,671 S	6/2007	Saunders et al.
			D545,024 S	6/2007	Liao
			7,225,943 B2	6/2007	Yang et al.
			D547,020 S	7/2007	Chen
			7,243,811 B1	7/2007	Ramsey

(56)

References Cited

U.S. PATENT DOCUMENTS

D550,918 S	9/2007	Wang et al.	7,781,995 B2	8/2010	Yang et al.
D552,319 S	10/2007	Gusdorf	D623,817 S	9/2010	Yang et al.
D552,321 S	10/2007	Yang et al.	D625,068 S	10/2010	Shannon
D552,823 S	10/2007	Yang et al.	7,806,285 B2	10/2010	Yang et al.
D552,824 S	10/2007	Zimmerman	D627,533 S	11/2010	Yang et al.
D552,825 S	10/2007	Yang et al.	D627,944 S	11/2010	Wang et al.
D555,320 S	11/2007	Yang et al.	D629,172 S	12/2010	Liao
D557,869 S	12/2007	Hawker et al.	D629,579 S	12/2010	Lin
D559,494 S	1/2008	Yang et al.	D630,404 S	1/2011	Yang et al.
D559,495 S	1/2008	Yang et al.	D631,221 S	1/2011	Yang et al.
D562,522 S	2/2008	Daams	D632,039 S	2/2011	Yang et al.
7,328,842 B2	2/2008	Wagner et al.	D632,864 S	2/2011	Yang et al.
D564,169 S	3/2008	Wang	D634,911 S	3/2011	Yang et al.
D564,723 S	3/2008	Yang et al.	D635,319 S	3/2011	Meyerhoffer
D566,367 S	4/2008	Lin	7,896,187 B2	3/2011	Haibel
D566,369 S	4/2008	Shek	7,922,024 B2	4/2011	Yang et al.
D566,923 S	4/2008	Lin	7,950,543 B2	5/2011	Yang et al.
D567,468 S	4/2008	Yang et al.	D639,520 S	6/2011	Lin
D568,572 S	5/2008	Yang et al.	D644,390 S	8/2011	Smeets et al.
D569,720 S	5/2008	Lablaine	7,992,742 B1	8/2011	Kim
7,374,060 B2	5/2008	Yang et al.	8,006,857 B2	8/2011	Lin
D571,520 S	6/2008	Lin	D644,806 S	9/2011	Yang et al.
D574,119 S	7/2008	Sofy	D644,807 S	9/2011	Yang et al.
7,395,990 B1	7/2008	Stevens	D649,728 S	11/2011	Campbell
7,398,913 B2	7/2008	McClure	8,074,833 B2	12/2011	Yang et al.
7,404,499 B1	7/2008	Ramsey	8,096,445 B2	1/2012	Yang et al.
D574,569 S	8/2008	Yang et al.	D655,061 S	2/2012	Scaturro
D576,371 S	9/2008	Zimmerman	8,136,688 B2	3/2012	Lee et al.
D578,265 S	10/2008	Presnell	D657,108 S	4/2012	Yang et al.
D578,266 S	10/2008	Yang et al.	D657,109 S	4/2012	Liao
D578,268 S	10/2008	Yang et al.	8,297,470 B2	10/2012	Yang et al.
D578,722 S	10/2008	Yang et al.	8,317,055 B2	11/2012	Zawrotny et al.
7,438,199 B1	10/2008	Tidrick	D672,520 S	12/2012	Yang et al.
D580,120 S	11/2008	Lin	D673,750 S	1/2013	Quan
D580,613 S	11/2008	Yang et al.	D675,802 S	2/2013	Yang et al.
D580,615 S	11/2008	Yang et al.	D675,803 S	2/2013	Yang et al.
D581,622 S	11/2008	Presnell et al.	8,393,489 B1	3/2013	Stravitz
D582,121 S	12/2008	Wang et al.	8,418,869 B2	4/2013	Yang et al.
D584,470 S	1/2009	Bizzell et al.	D684,741 S	6/2013	Harris
D585,171 S	1/2009	Bizzell et al.	D689,255 S	9/2013	Sun Ting Kung et al.
D585,172 S	1/2009	Lin	8,567,630 B2	10/2013	Yang et al.
D585,618 S	1/2009	Yang et al.	8,569,980 B2	10/2013	Yang et al.
D586,065 S	2/2009	Lin	8,575,537 B2	11/2013	Yao et al.
D586,066 S	2/2009	Lin	8,607,932 B2	12/2013	Cooper et al.
D586,069 S	2/2009	Lin	8,672,171 B2	3/2014	Wynn et al.
D586,070 S	2/2009	Lin	8,678,219 B1	3/2014	Wang et al.
7,494,021 B2	2/2009	Yang et al.	8,686,676 B2	4/2014	Yang et al.
D587,874 S	3/2009	Lin	D704,406 S	5/2014	Kern
D588,321 S	3/2009	Schoofs	8,716,969 B2	5/2014	Yang et al.
D589,670 S	3/2009	Smeets	8,720,728 B2	5/2014	Yang et al.
D593,271 S	5/2009	Yang et al.	D709,662 S	7/2014	Yang et al.
7,530,578 B2	5/2009	Niemeyer et al.	8,766,582 B2	7/2014	Yang et al.
7,540,396 B2	6/2009	Yang et al.	8,807,378 B2	8/2014	Kaberna
7,543,716 B2	6/2009	Lin	8,807,379 B1	8/2014	Hammond
D596,820 S	7/2009	Yang et al.	D714,510 S	9/2014	Yang et al.
7,559,433 B2	7/2009	Yang et al.	D715,575 S	10/2014	Williams et al.
D599,074 S	8/2009	Bizzell et al.	D716,015 S	10/2014	van de Leest
D599,971 S	9/2009	Lin	8,851,316 B2	10/2014	Barrett et al.
D603,119 S	10/2009	Yang et al.	8,872,459 B2	10/2014	Yang et al.
7,607,552 B2	10/2009	Efstathiou	D717,012 S	11/2014	Han
D604,472 S	11/2009	Blanks et al.	D717,013 S	11/2014	Han
7,614,519 B2	11/2009	Krauth et al.	D717,014 S	11/2014	Han
7,621,420 B2	11/2009	Bandoh et al.	D717,015 S	11/2014	Han
D608,069 S	1/2010	Schoofs	D719,313 S	12/2014	Kao
7,656,109 B2	2/2010	Yang et al.	D725,860 S	3/2015	Spivey et al.
D611,216 S	3/2010	Yang et al.	D725,861 S	3/2015	Yang et al.
D611,217 S	3/2010	Bizzell et al.	D730,008 S	5/2015	Yang et al.
D611,671 S	3/2010	Yang et al.	9,051,093 B2	6/2015	Yang et al.
7,694,838 B2	4/2010	Yang et al.	D755,461 S	5/2016	Wall
7,703,622 B1	4/2010	Bynoe	D758,686 S	6/2016	Beumer
D615,270 S	5/2010	Yang et al.	D759,934 S	6/2016	Yang et al.
D615,722 S	5/2010	Yang et al.	D762,037 S	7/2016	Chen
7,712,285 B2	5/2010	Stravitz et al.	D765,937 S	9/2016	Chen
7,741,801 B2	6/2010	Fukuizumi	D766,998 S	9/2016	Kao et al.
7,748,556 B2	7/2010	Yang et al.	9,434,538 B2	9/2016	Yang et al.
			D770,121 S	10/2016	Chen
			D771,344 S	11/2016	Yang et al.
			D773,145 S	11/2016	Yang et al.
			9,481,515 B2	11/2016	Yang et al.

(56)

References Cited

U.S. PATENT DOCUMENTS

D773,769	S	12/2016	Chen	2006/0103086	A1	5/2006	Niemeyer et al.
9,573,759	B2	2/2017	Yang et al.	2006/0110537	A1	5/2006	Huang et al.
9,586,755	B1	3/2017	Yang et al.	2006/0138149	A1	6/2006	Tracy
D787,828	S	5/2017	Thoma et al.	2006/0156948	A1	7/2006	Hendriks et al.
D790,145	S	6/2017	Chen	2006/0163257	A1	7/2006	Golbert
D793,642	S	8/2017	Yang et al.	2006/0175336	A1	8/2006	Wang
D798,016	S	9/2017	Yang et al.	2006/0186121	A1	8/2006	Yang et al.
D804,133	S	9/2017	Yang et al.	2006/0196874	A1	9/2006	Yang
9,751,692	B2	9/2017	Yang et al.	2006/0237641	A1	10/2006	Moeller et al.
9,790,025	B2	10/2017	Yang et al.	2006/0249510	A1	11/2006	Lin
9,856,080	B2	1/2018	Yang et al.	2006/0278643	A1	12/2006	Chiou
D820,544	S	6/2018	Joseph	2007/0012699	A1	1/2007	Yang et al.
D825,876	S	8/2018	Chen	2007/0034334	A1	2/2007	Ramsey et al.
D827,968	S	9/2018	Chen	2007/0045326	A1	3/2007	Tramontina et al.
D829,400	S	9/2018	Yang et al.	2007/0090112	A1	4/2007	Kalman et al.
D830,029	S	10/2018	Greenspoon et al.	2007/0114847	A1	5/2007	Ichimaru et al.
D835,374	S	12/2018	Yang et al.	2007/0181579	A1	8/2007	Kuo et al.
D835,376	S	12/2018	Yang et al.	2007/0209846	A1	9/2007	Wilson
D836,278	S	12/2018	Berberet et al.	2007/0215622	A1	9/2007	Perez
D840,628	S	2/2019	Chang	2007/0241109	A1	10/2007	Lin
D845,576	S *	4/2019	Lu D34/9	2007/0266637	A1	11/2007	McGowan
10,279,996	B2	5/2019	Yang et al.	2007/0272691	A1	11/2007	Wang et al.
10,279,997	B2	5/2019	Yang et al.	2007/0289972	A1	12/2007	Wynn et al.
D851,350	S *	6/2019	Lu D34/9	2008/0011754	A1	1/2008	Ramsey
D853,067	S *	7/2019	Chen D34/9	2008/0011910	A1	1/2008	Ramsey
D855,919	S	8/2019	Yang et al.	2008/0041863	A1	2/2008	Forest
D858,024	S	8/2019	Yang et al.	2008/0083756	A1	4/2008	Daniels
D858,923	S	9/2019	Yang et al.	2008/0083757	A1	4/2008	Parker et al.
D861,076	S	9/2019	Chen	2008/0099274	A1	5/2008	Seel
10,472,170	B2	11/2019	Yang et al.	2008/0128428	A1	6/2008	Beckerman
10,494,175	B2	12/2019	Yang et al.	2008/0164257	A1	7/2008	Boll et al.
D874,776	S	2/2020	Spadotto	2008/0236275	A1	10/2008	Breed et al.
10,683,165	B2	6/2020	Yang et al.	2008/0257889	A1	10/2008	Kovacevich et al.
10,723,549	B2	7/2020	Yang et al.	2008/0257890	A1	10/2008	Kovacevich et al.
D901,815	S	11/2020	Yang et al.	2008/0257891	A1	10/2008	Kovacevich et al.
10,906,738	B2	2/2021	Barry	2008/0264948	A1	10/2008	Kovacevich et al.
11,027,916	B2	6/2021	Yang et al.	2008/0264950	A1	10/2008	Kovacevich et al.
D925,153	S *	7/2021	Busch D34/1	2008/0272119	A1	11/2008	Efstathiou
2001/0002690	A1	6/2001	Rosky	2008/0272127	A1	11/2008	Kovacevich et al.
2001/0020619	A1	9/2001	Pfeifer et al.	2009/0071959	A1	3/2009	Cheung
2001/0045512	A1	11/2001	Brent	2009/0084788	A1	4/2009	Yang et al.
2002/0009567	A1	1/2002	Brand	2009/0136341	A1	5/2009	Kenyon
2002/0066736	A1	6/2002	Pyles	2009/0214606	A1	8/2009	Bujard et al.
2002/0092853	A1	7/2002	Wang	2009/0230131	A1	9/2009	McDuffie et al.
2002/0096523	A1	7/2002	Pyles	2009/0261105	A1	10/2009	Cunningham et al.
2002/0096524	A1	7/2002	Hardesty	2009/0266836	A1	10/2009	Mobley
2002/0100758	A1	8/2002	Pyles	2010/0006572	A1	1/2010	Chiou
2002/0104266	A1	8/2002	Ranaudo	2010/0084235	A1	4/2010	Lu
2002/0116924	A1	8/2002	Winkelmann et al.	2010/0096894	A1	4/2010	Fukai
2002/0185199	A1	12/2002	Myers et al.	2010/0122985	A1	5/2010	Peters et al.
2003/0089719	A1	5/2003	Berger	2010/0147865	A1	6/2010	Yang et al.
2003/0102316	A1	6/2003	Forest	2010/0170904	A1	7/2010	Kalman et al.
2003/0201265	A1	10/2003	Lin	2010/0176126	A1	7/2010	Shikano
2003/0205979	A1	11/2003	Papari et al.	2010/0178105	A1	7/2010	Monneret
2003/0230576	A1	12/2003	Lin	2010/0193518	A1	8/2010	Tontarelli
2004/0016756	A1	1/2004	Lin	2010/0237074	A1	9/2010	Yang et al.
2004/0028572	A1	2/2004	Sham et al.	2010/0252557	A1	10/2010	Clements
2004/0134924	A1	7/2004	Hansen et al.	2010/0294769	A1	11/2010	Lee et al.
2004/0140782	A1	7/2004	Okabe et al.	2011/0017735	A1	1/2011	Wang et al.
2004/0164077	A1	8/2004	Kuo	2011/0049149	A1	3/2011	Shih
2004/0174268	A1	9/2004	Scott et al.	2011/0056952	A1	3/2011	Borowski et al.
2004/0175303	A1	9/2004	Lin	2011/0139781	A1	6/2011	Jin et al.
2004/0199401	A1	10/2004	Wagner	2011/0272409	A1	11/2011	Kasbohm
2004/0200938	A1	10/2004	Forlivio	2012/0145932	A1	6/2012	Yao et al.
2004/0206758	A1	10/2004	Lin	2012/0234849	A1	9/2012	Hughes et al.
2004/0206760	A1	10/2004	Gagnebin	2012/0261423	A1	10/2012	Zawrotny et al.
2004/0250711	A1	12/2004	Ernst	2013/0048641	A1	2/2013	Romano
2004/0251746	A1	12/2004	Ichimaru et al.	2013/0097809	A1	4/2013	Weber et al.
2005/0017006	A1	1/2005	Kuo	2013/0098913	A1 *	4/2013	Yang B65F 7/00 220/263
2005/0017010	A1	1/2005	Siegel et al.	2013/0105487	A1	5/2013	Baik
2005/0029281	A1	2/2005	Westermann et al.	2013/0240592	A1	9/2013	Woodruff
2005/0129803	A1	6/2005	Umeda et al.	2013/0248535	A1	9/2013	Wolfe et al.
2005/0258177	A1	11/2005	Woodson	2013/0300119	A1	11/2013	Anzalon et al.
2005/0258794	A1	11/2005	Fukuizumi	2014/0183193	A1	7/2014	Hammond et al.
2006/0027579	A1	2/2006	Yang et al.	2014/0238989	A1	8/2014	Wang et al.
				2014/0240964	A1	8/2014	Adachi et al.
				2014/0305946	A1	10/2014	Han
				2014/0345453	A1	11/2014	Oh et al.

(56)

References Cited

U.S. PATENT DOCUMENTS

2015/0251849 A1 9/2015 Yang et al.
 2015/0321841 A1 11/2015 Salas et al.
 2016/0137411 A1* 5/2016 Rogers B65F 1/062
 220/495.07
 2016/0200508 A1 7/2016 Thoma et al.
 2017/0050404 A1 2/2017 Henken et al.
 2017/0127669 A1 5/2017 Yang et al.
 2017/0166167 A1 6/2017 Heller et al.
 2017/0176986 A1 6/2017 High et al.
 2018/0093827 A1 4/2018 Yang et al.
 2018/0305120 A1* 10/2018 Yang B65F 1/163
 2019/0077595 A1 3/2019 Wang et al.
 2019/0185263 A1 6/2019 Yang et al.
 2019/0276232 A1 9/2019 Yang et al.
 2020/0148467 A1 5/2020 Yang et al.
 2020/0307907 A1 10/2020 Yang et al.
 2020/0407159 A1 12/2020 Yang et al.

FOREIGN PATENT DOCUMENTS

AU 201614908 11/2016
 AU 201614909 11/2016
 CA 2182840 9/1997
 CA 2519295 3/2007
 CA 132181 6/2010
 CA 2695086 9/2010
 CA 136938 5/2011
 CA 141819 4/2012
 CA 146601 2/2013
 CA 152797 4/2014
 CA 158595 4/2015
 CA 158685 4/2015
 CA 164264 10/2016
 CA 164265 10/2016
 CA 167073 10/2016
 CA 170360 3/2017
 CA 170399 3/2017
 CA 168936 10/2017
 CN 2075182 U 4/1991
 CN 2378327 Y 5/2000
 CN 2467467 Y 12/2001
 CN 200964993 Y 10/2007
 CN 101177946 A 5/2008
 CN 201105898 Y 8/2008
 CN 201330049 Y 10/2009
 CN 201372076 Y 12/2009
 CN 201447201 U 5/2010
 CN 201512253 U 6/2010
 CN 301252792 S 6/2010
 CN 201597962 U 10/2010
 CN 201907743 U 7/2011
 CN 202213911 U 5/2012
 CN 301947175 S 6/2012
 CN 103207416 A 7/2013
 CN 103300590 A 9/2013
 CN 103303618 A 9/2013
 CN 302771721 S 3/2014
 CN 104016030 A 9/2014
 CN 303188855 S 4/2015
 CN 303206241 S 5/2015
 CN 204587817 U 8/2015
 CN 105015986 A 11/2015
 CN 303611394 S 3/2016
 CN 303622098 S 3/2016
 CN 205169479 U 4/2016
 CN 106103299 A 11/2016
 CN 303967208 S 12/2016
 CN 304018339 S 1/2017
 CN 304018340 S 1/2017
 CN 103381944 B 3/2017
 CN 106546203 A 3/2017
 CN 107032015 A 8/2017
 CN ZL 201310076306.0 12/2017
 CN ZL 201580000648.1 1/2018

CN ZL 201730168630.4 2/2018
 DE 1610087 7/1950
 DE 822376 11/1951
 DE 1283741 7/1966
 DE 8436939 W 3/1985
 DE 9108341 10/1991
 DE 4225936 2/1994
 DE 19525885 3/1997
 DE 19617823 11/1997
 DE 19809331 5/1999
 DE 19811991 A1 9/1999
 DE 29918687 3/2000
 DE 19933180 1/2001
 DE 10148997 4/2003
 DE 20305521 U1 6/2003
 DE 20217561 3/2004
 DE 10337806 A1 3/2005
 EP 0582240 7/1993
 EP 0903305 A1 3/1999
 EP 0906876 A2 4/1999
 EP 1094017 A1 4/2001
 EP 1162161 12/2001
 EP 1361176 A1 11/2003
 EP 1136393 B1 4/2004
 EP 1447342 A2 8/2004
 EP 1600373 A2 11/2005
 EP 1647503 A1 4/2006
 EP 1686073 A1 8/2006
 EP 1918223 A1 5/2008
 EP 1700799 B1 8/2009
 EP 001164826-0001 9/2009
 EP 001232904-0001 10/2010
 EP 2343250 A1 7/2011
 EP 001908575-0001 8/2011
 EP 001317416-0001 4/2012
 EP 001317416-0002 4/2012
 EP 001335285-0001 7/2012
 EP 001335293-0001 7/2012
 EP 001381636-0001 8/2013
 EP 001381792-0001 8/2013
 EP 2636611 A1 9/2013
 EP 3144251 A1 3/2014
 EP 001420590-0001 9/2014
 EP 2772454 A2 9/2014
 EP 2915763 A1 9/2015
 EP 2918518 A2 9/2015
 EP 002766782-0001 11/2015
 EP 002766782-0002 11/2015
 EP 002766881-0001 11/2015
 EP 2364932 B1 4/2016
 EP 3042864 A1 7/2016
 EP 003177500-0001 9/2016
 EP 003177500-0002 9/2016
 EP 003362235-0001 10/2016
 EP 003362052-0001 11/2016
 EP 003996339-0001 5/2017
 EP 003996339-0002 5/2017
 EP 3214019 A1 9/2017
 EP 004554889-0001 12/2017
 EP 3549886 A2 10/2019
 FR 2887152 12/2006
 GB 191004921 6/1910
 GB 1555543 A 11/1979
 GB 2384418 7/2003
 JP 02-152670 6/1990
 JP H06-56011 8/1994
 JP 06-272888 9/1994
 JP 2004-106713 4/2004
 JP 2004-231237 8/2004
 JP D1300450 5/2007
 JP D1300451 5/2007
 JP D1322056 2/2008
 JP D1398668 10/2010
 JP D1550907 4/2016
 JP D1551184 4/2016
 JP 1585339 8/2017
 KR 20040087306 A 10/2004
 KR 3003841370000 6/2005
 KR 3004095430000 3/2006

(56)

References Cited

FOREIGN PATENT DOCUMENTS

KR	3004095430001	7/2006
NL	6908550	12/1970
TW	183920	5/1992
TW	230977	9/1994
TW	395392	6/2000
TW	D112733	9/2006
TW	D129485	7/2009
TW	D133382	2/2010
TW	D133678	3/2010
TW	145989	3/2012
TW	D147147	5/2012
TW	D154797	7/2013
TW	D158187	1/2014
TW	D161587	7/2014
TW	D162495	8/2014
TW	D168957	7/2015
TW	D170334	9/2015
TW	201538406	10/2015
TW	201544405	12/2015
TW	D176312	6/2016
TW	D176313	6/2016
TW	201720729	6/2017
TW	D183552	6/2017
TW	D184449	7/2017
TW	I670213	9/2019
WO	WO 92/02430 A1	2/1992
WO	WO 96/33671	10/1996
WO	WO 2005/080232 A1	9/2005

WO	WO 2006/079263 A1	8/2006
WO	WO 2007/139570	12/2007
WO	WO 2009/114495 A1	9/2009
WO	WO 2015/134902 A1	9/2015
WO	WO 2015/138625 A1	9/2015
WO	WO 2016/054109 A1	4/2016

OTHER PUBLICATIONS

U.S. Appl. No. 29/484,903, filed Mar. 13, 2014, Yang et al.
 U.S. Appl. No. 15/476,285, filed Mar. 31, 2017, Yang et al.
 Schaefer, http://www.schaeferco.com/about_rollcoaters.html, 2007, in 12 pages.
 Agion Product Information Bulletin Regarding Agion Antimicrobial Type AC; publicly available at least as early as Oct. 2015 (in two pages).
 Agion Material Safety Data Sheet; Agion Antimicrobial Type AC; publicly available at least as early as Oct. 2015 (in three pages).
 Trento Corner 23 Trash Can, Hailo product webpage, May 2008, http://www.hailo.de/html/default.asp?site=12_71_107&lang=en.
 Simplehuman Liner Rim Dual Bucket Rectangular Recycler with Liner Pocket, Stainless Steel, 58 Liter / 15 Gallon, Item No. CW2025, www.amazon.com, site visited Dec. 29, 2015.
 Web page showing picture of Hero Bullet trash can, archived Nov. 17, 2004, downloaded from http://web.archive.org/web/20041117003115/http://www.simplehuman.com/images/hero_bullet.jpg.

* cited by examiner

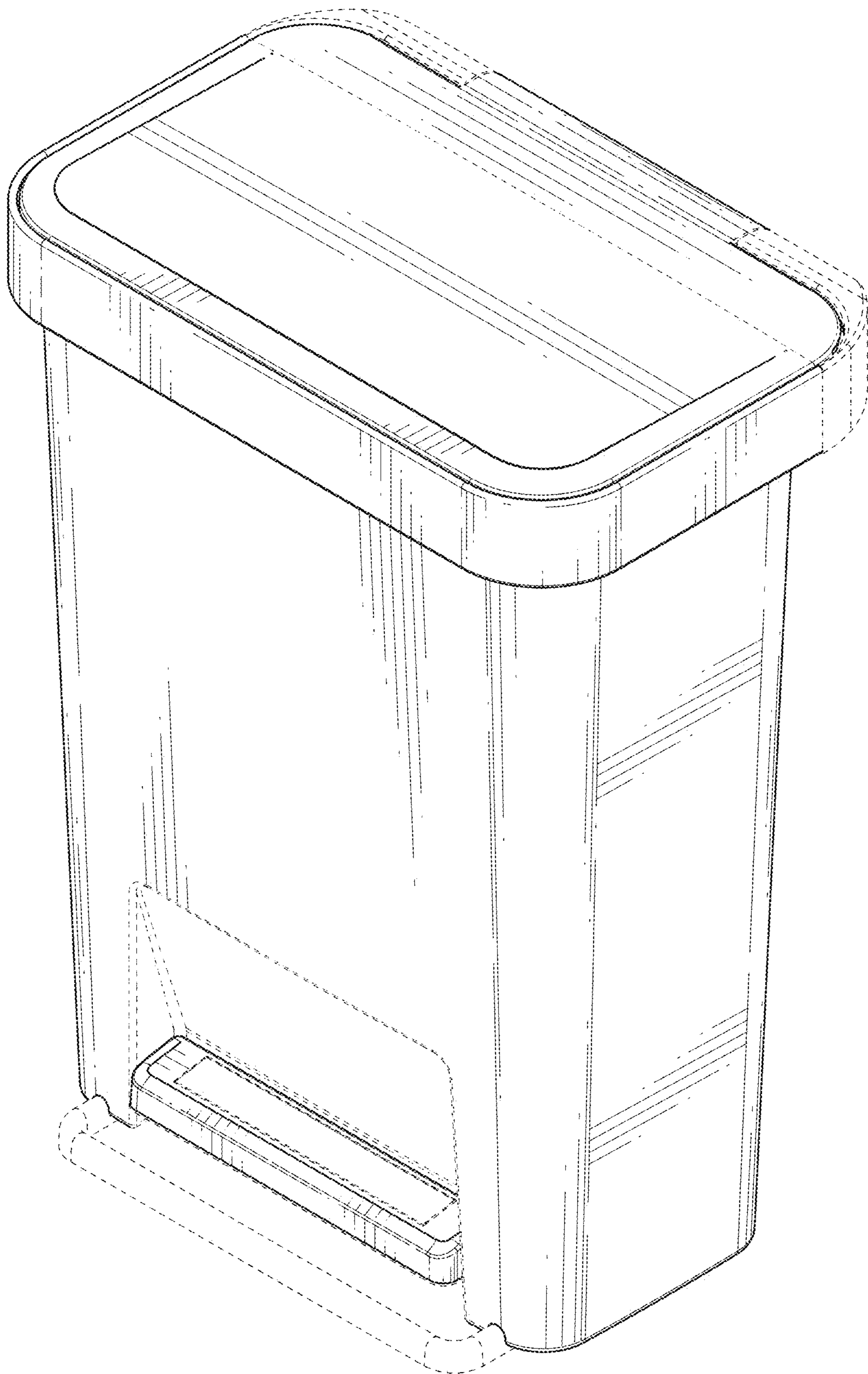


FIG. 1

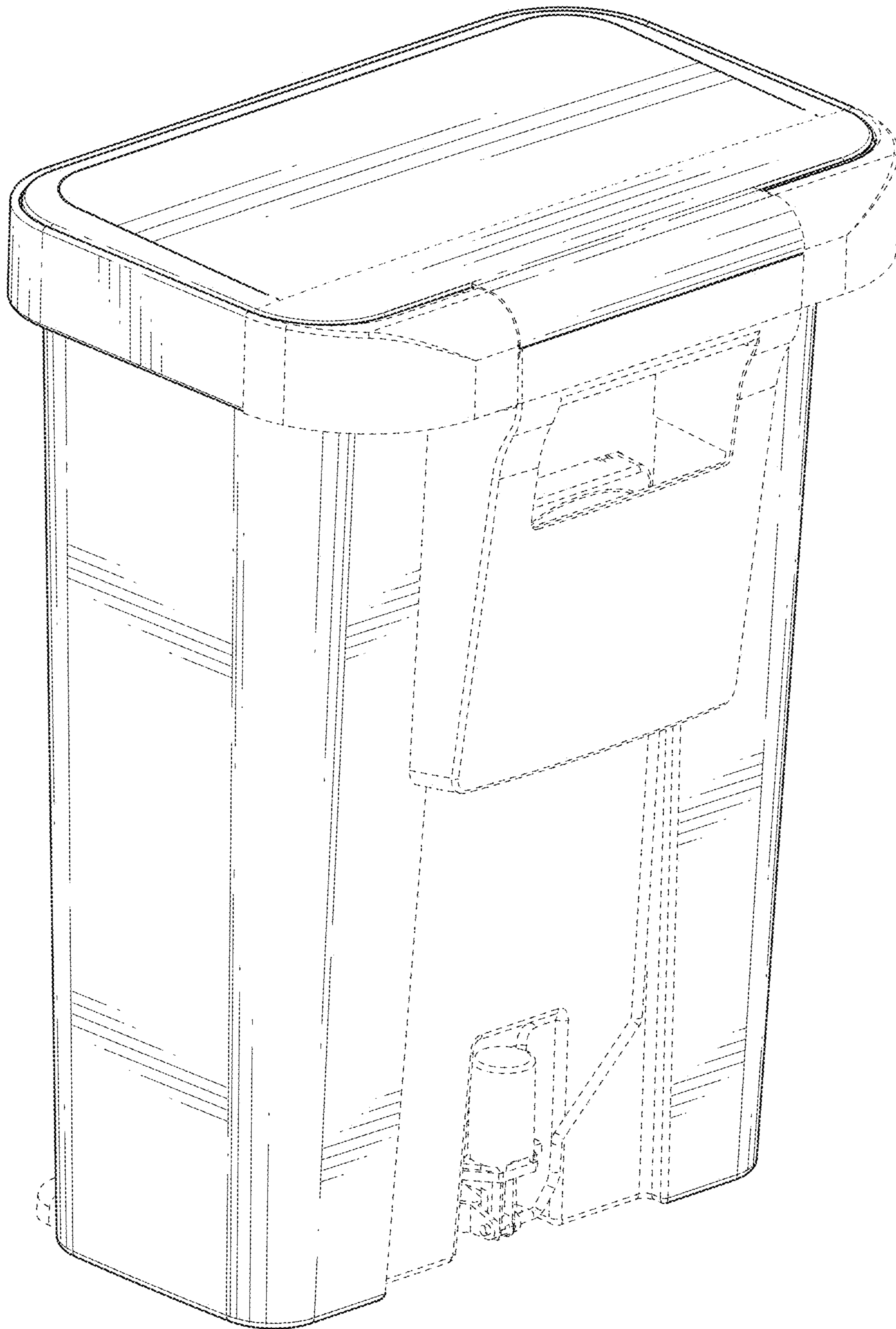


FIG. 2

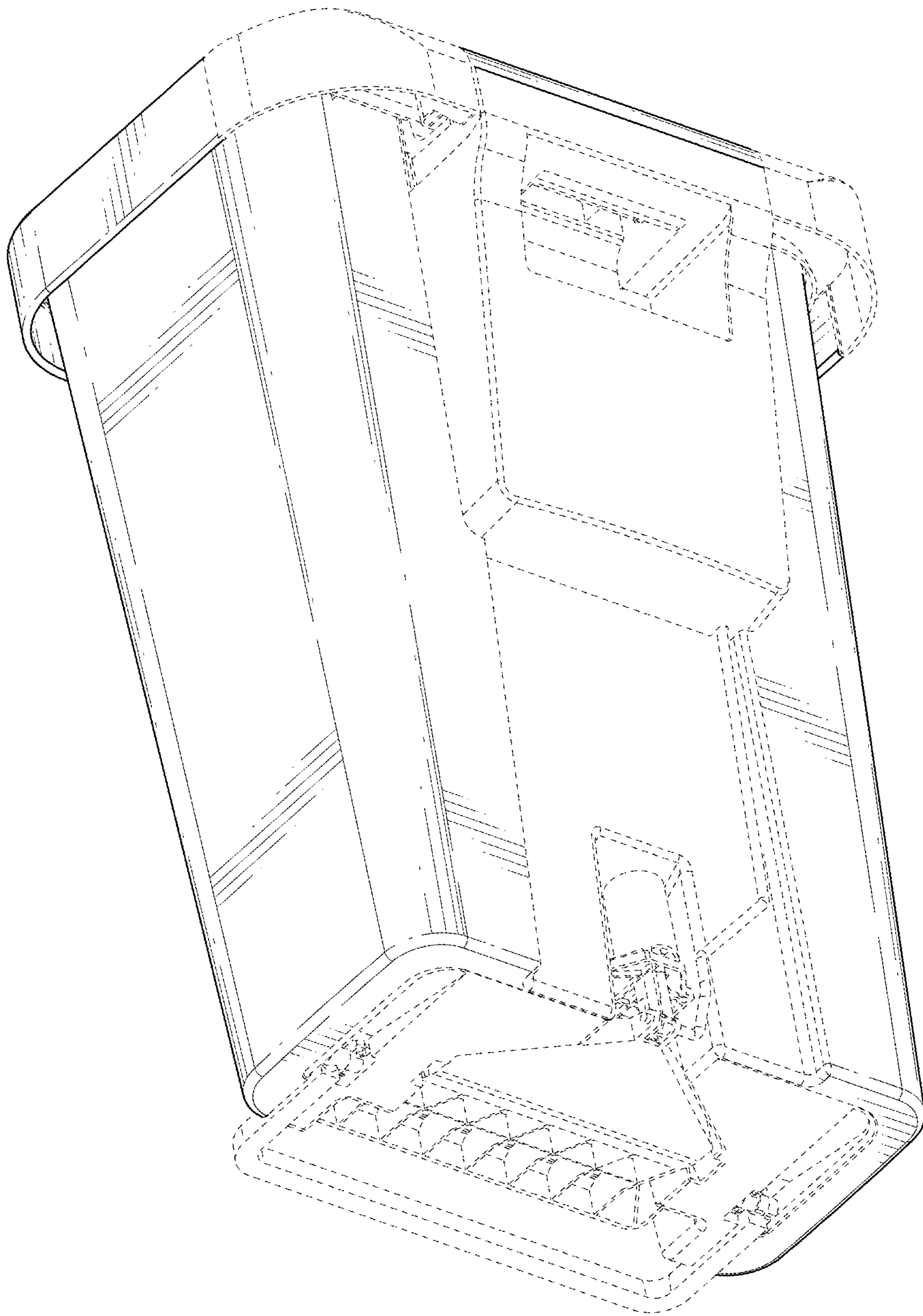


FIG. 3

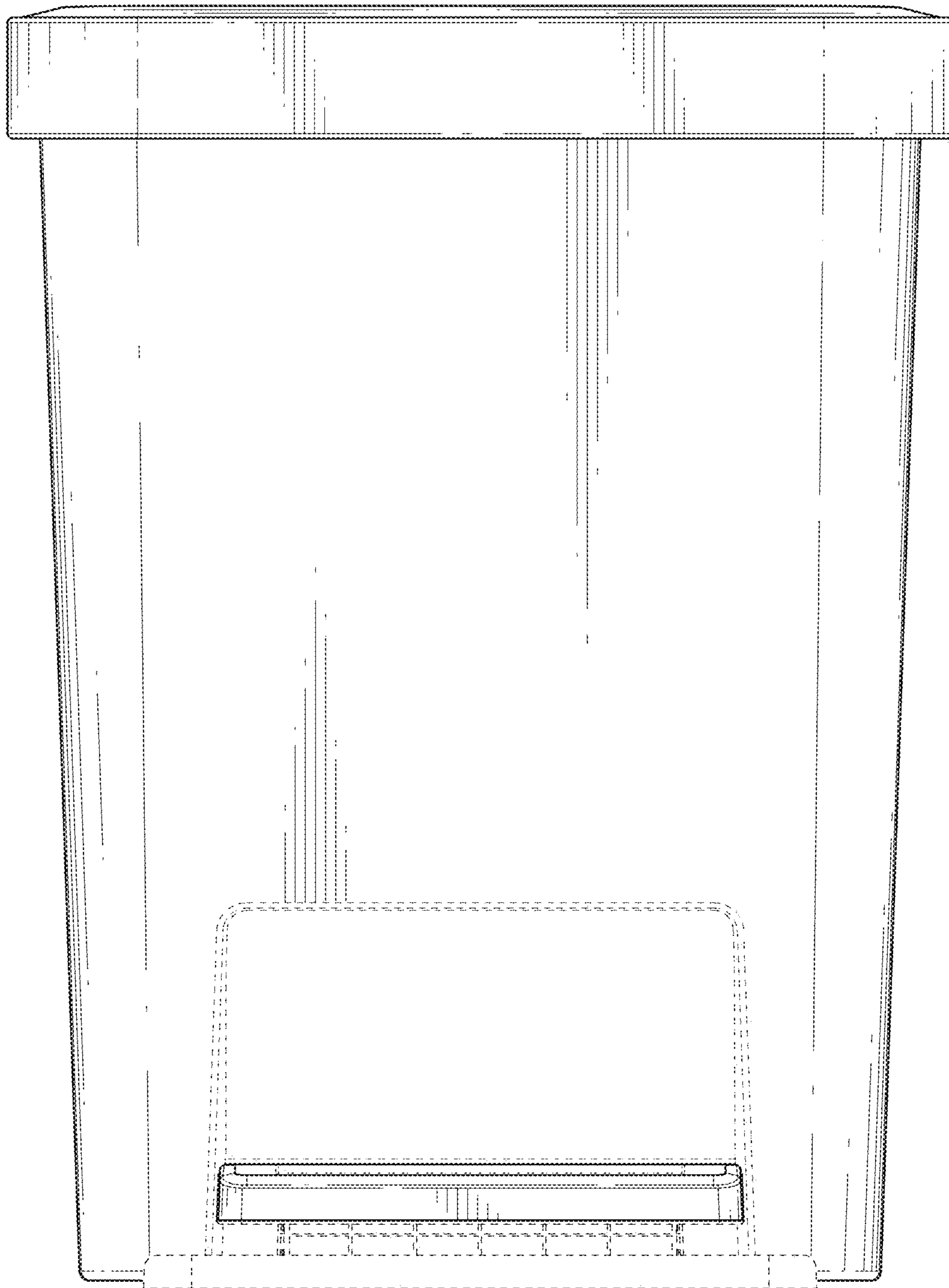


FIG. 4

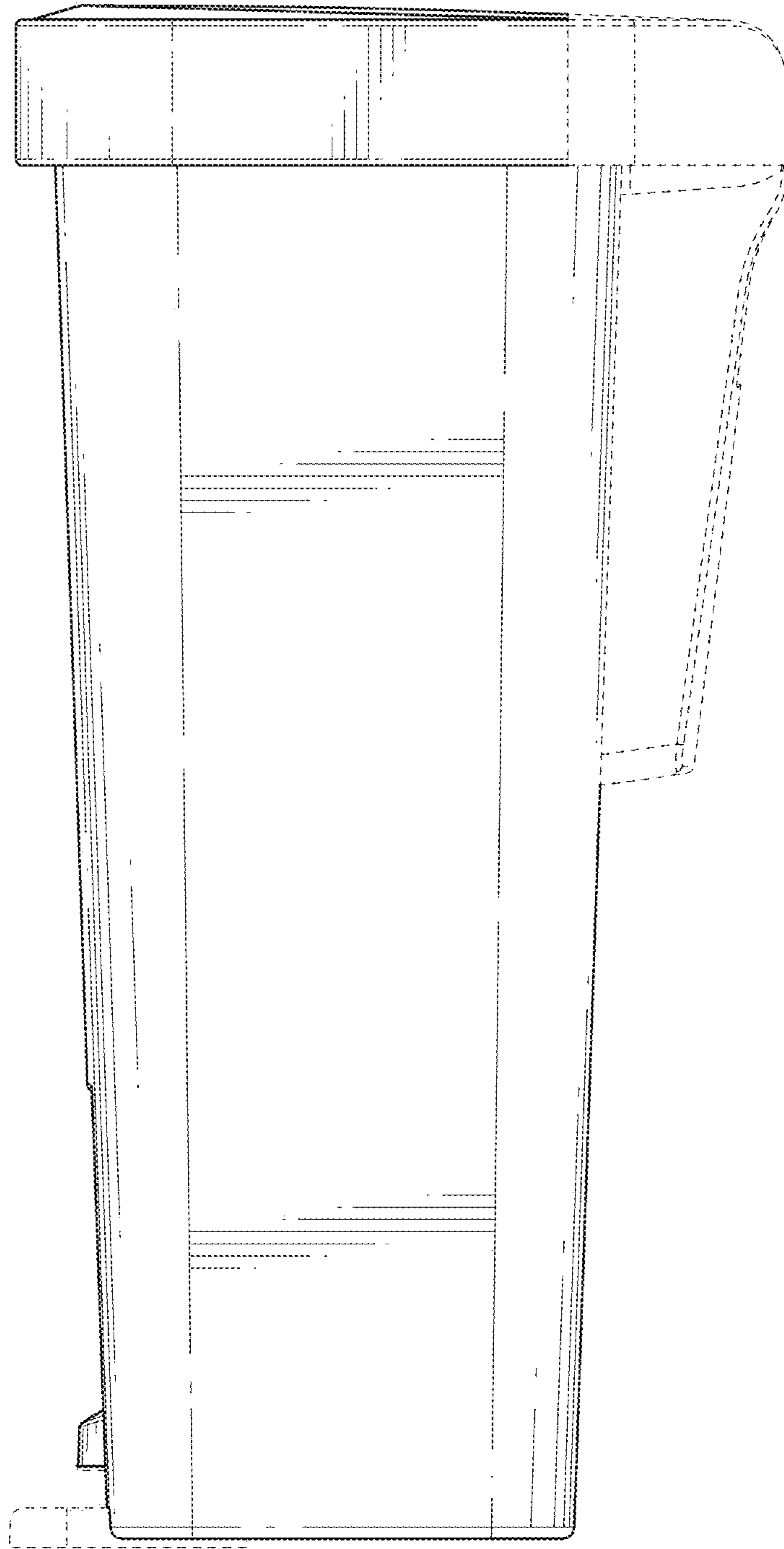


FIG. 5

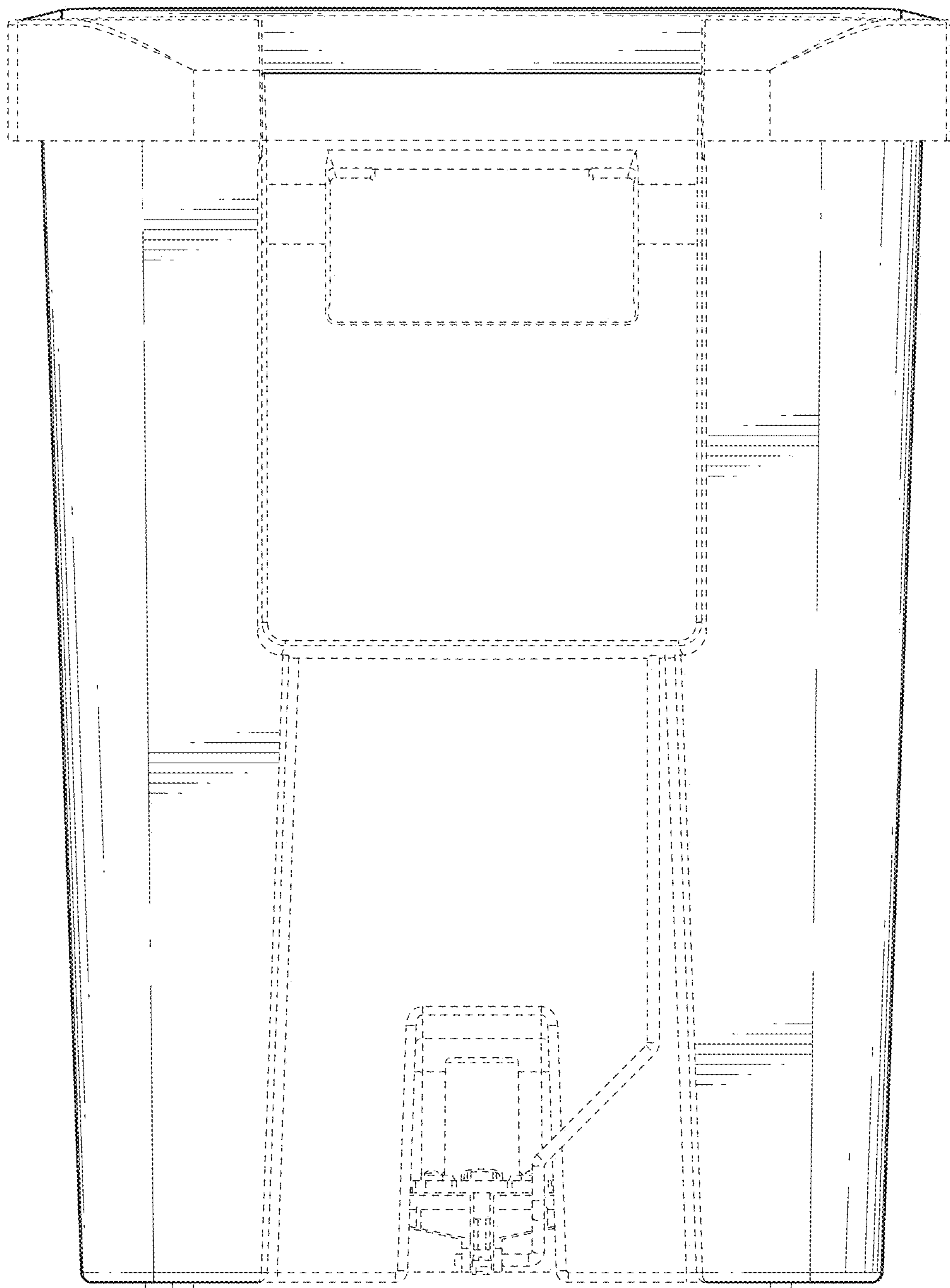


FIG. 6

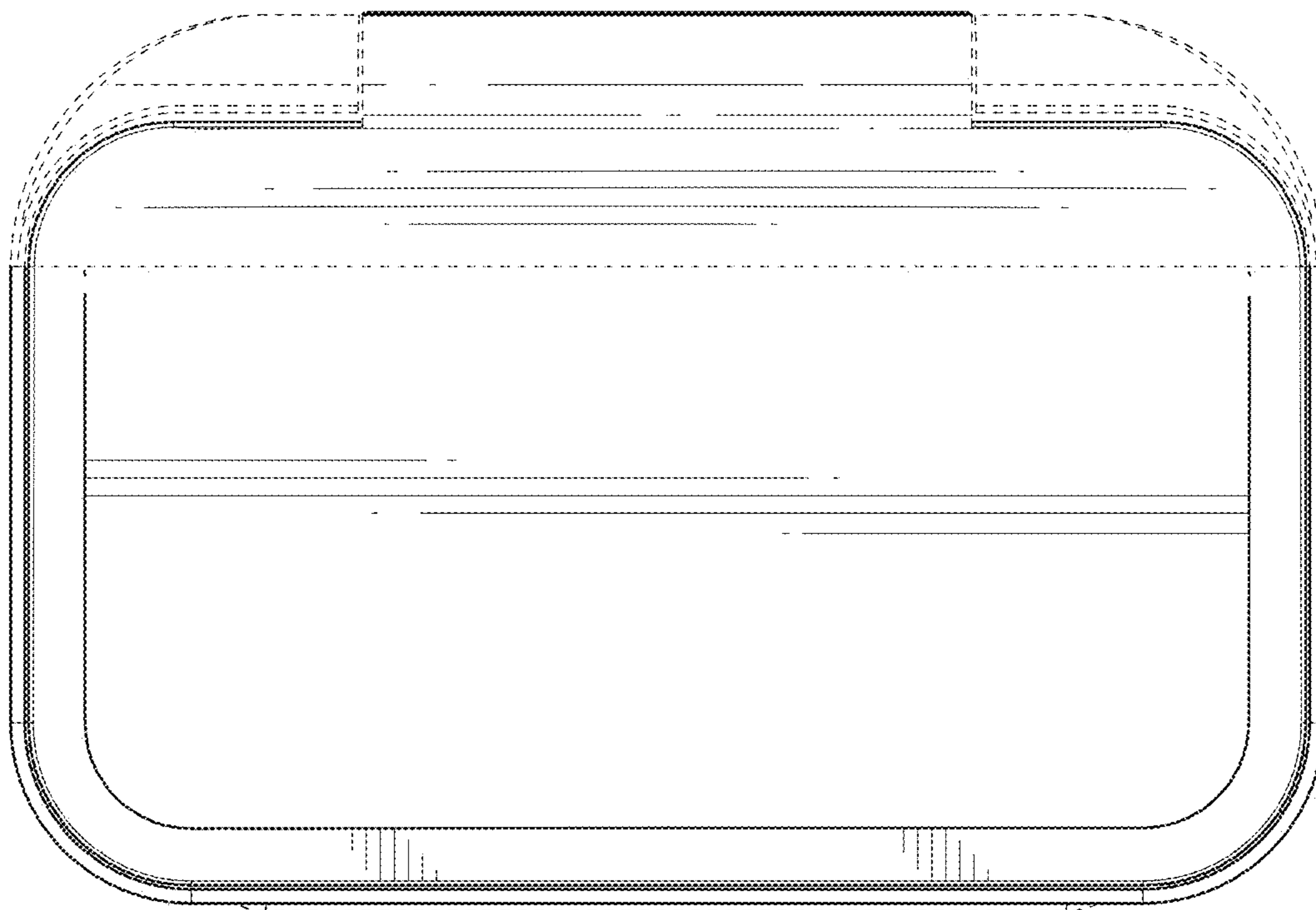


FIG. 7

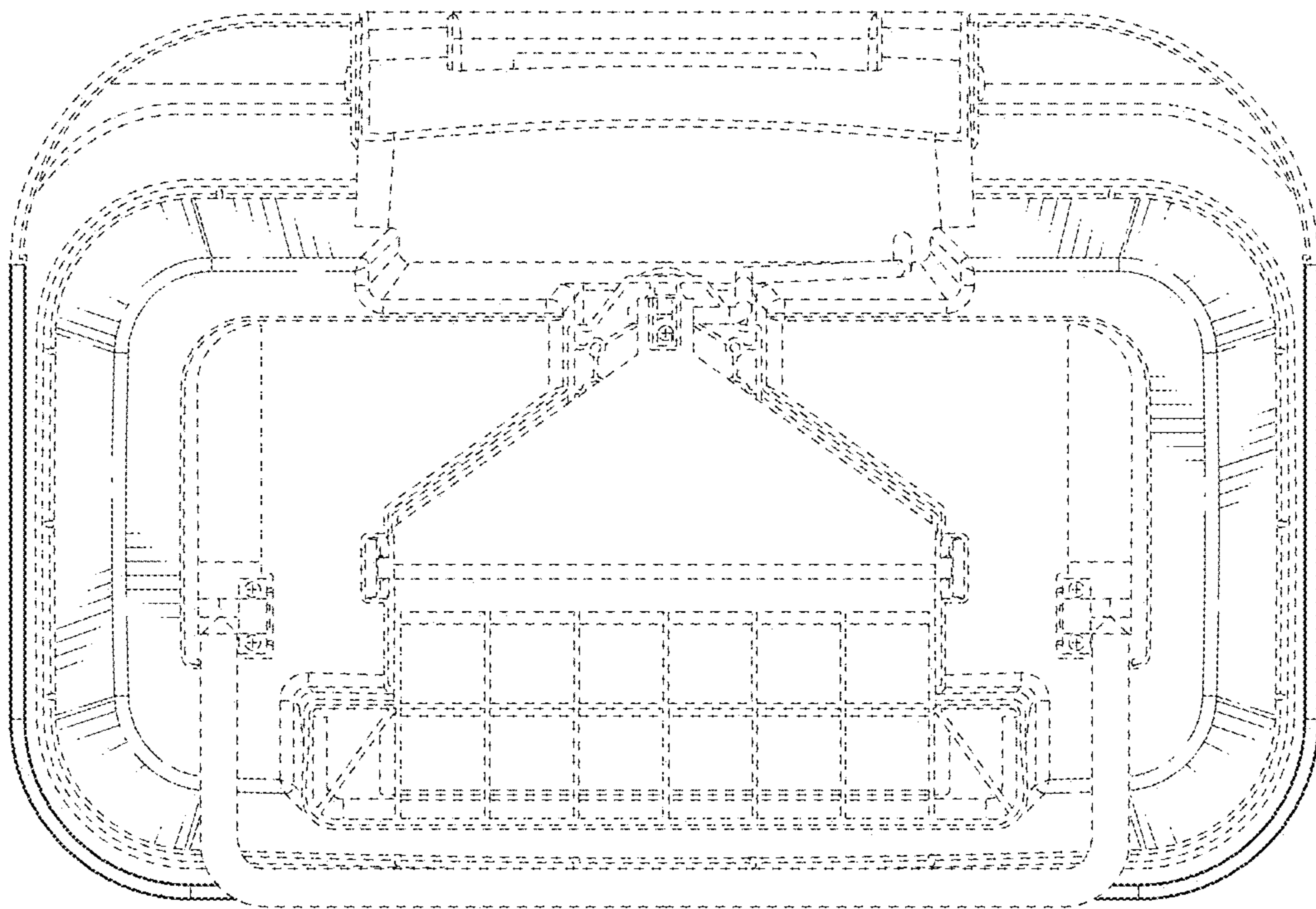


FIG. 8