



US00D930929S

(12) **United States Design Patent**
Tyroler

(10) **Patent No.:** **US D930,929 S**

(45) **Date of Patent:** **** Sep. 14, 2021**

(54) **ADJUSTABLE MAGNETIC WINDOW CLEANER**

(71) Applicant: **Tyroler Ltd.**, Neve Yamin (IL)

(72) Inventor: **Dan Tyroler**, Neve Yamin (IL)

(73) Assignee: **TYROLER LTD.**, Neve Yamin (IL)

(**) Term: **15 Years**

(21) Appl. No.: **29/675,920**

(22) Filed: **Jan. 7, 2019**

(30) **Foreign Application Priority Data**

Nov. 8, 2018 (CN) 201830632049.8

(51) **LOC (13) Cl.** **07-05**

(52) **U.S. Cl.**
USPC **D32/40**

(58) **Field of Classification Search**
USPC D32/40-43, 46-49
CPC A47L 1/12; A47L 1/13
See application file for complete search history.

(56) **References Cited**

U.S. PATENT DOCUMENTS

- 3,751,750 A * 8/1973 Kaftan A47L 13/16
15/220.2
- 3,778,173 A * 12/1973 De Carlo A47L 1/13
401/10
- 4,977,637 A * 12/1990 Demers A47L 1/13
15/104.001
- D354,626 S * 1/1995 Hurwitz D32/42
- D365,180 S * 12/1995 Brookfield D32/48
- 5,515,570 A * 5/1996 Muscroft A47L 1/12
15/210.1
- D388,572 S * 12/1997 Gold D32/46
- D398,111 S * 9/1998 Avrans 15/236.01
- 5,988,109 A * 11/1999 Rofen A01K 63/04
119/245

- 6,178,584 B1 * 1/2001 Post A47L 1/15
15/144.1
- 6,348,104 B1 * 2/2002 Bakker A47L 1/12
119/264
- D455,867 S * 4/2002 Pratt D28/63
- D466,259 S * 11/2002 Wang D32/35
- D476,786 S * 7/2003 Sakurai D32/41
- 6,865,771 B2 * 3/2005 Hanson A47L 1/12
119/264
- D543,670 S * 5/2007 Swinderman D32/40
- D553,317 S * 10/2007 Dotterman D32/40
- 9,439,545 B2 * 9/2016 Baek A47L 1/03

(Continued)

FOREIGN PATENT DOCUMENTS

CN 305058911 * 11/2018

OTHER PUBLICATIONS

<https://www.youtube.com/watch?v=ey0j0G9wNP0>, Tyroler window cleaner, video date 2016, site visited Mar. 9, 2021.*

(Continued)

Primary Examiner — John R Yeh
(74) *Attorney, Agent, or Firm* — The Roy Gross Law Firm, LLC; Roy Gross

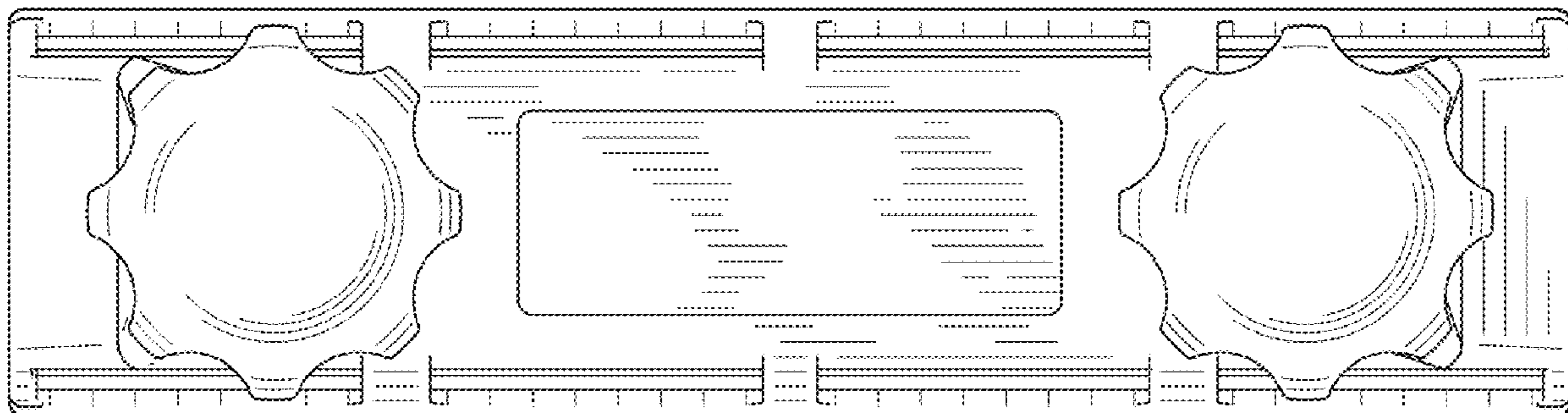
(57) **CLAIM**

The ornamental design for adjustable magnetic window cleaner, as shown and described.

DESCRIPTION

FIG. 1 is a front view of an adjustable magnetic window cleaner in accordance with the new design; FIG. 2 is a top view thereof; FIG. 3 is a rear view thereof; FIG. 4 is a right side view thereof; FIG. 5 is a front perspective view thereof; and, FIG. 6 is a front perspective view of the adjustable magnetic window cleaner in a separated configuration.

1 Claim, 2 Drawing Sheets



(56)

References Cited

U.S. PATENT DOCUMENTS

9,492,044 B2 * 11/2016 Lv A47L 1/12
D838,422 S * 1/2019 Zimmerman D32/40
D841,270 S * 2/2019 Reaux D32/40
D851,941 S * 6/2019 Lee D4/138
D856,618 S * 8/2019 Liu D32/46
2009/0106924 A1 * 4/2009 Park A47L 13/38
15/190
2014/0189973 A1 * 7/2014 Ryu A47L 1/03
15/250.11
2014/0332030 A1 * 11/2014 Trudeau A47L 1/09
134/6

OTHER PUBLICATIONS

Amazon.com: Tyroler Bright Tools The Glider D4 Magnetic Window Cleaner, reviews 2019, <https://www.amazon.com/Tyroler-Bright-Tools-Magnetic-Adjustable/dp/B07L92PF2L/ref=>. . . site visited Mar. 9, 2021.*

* cited by examiner

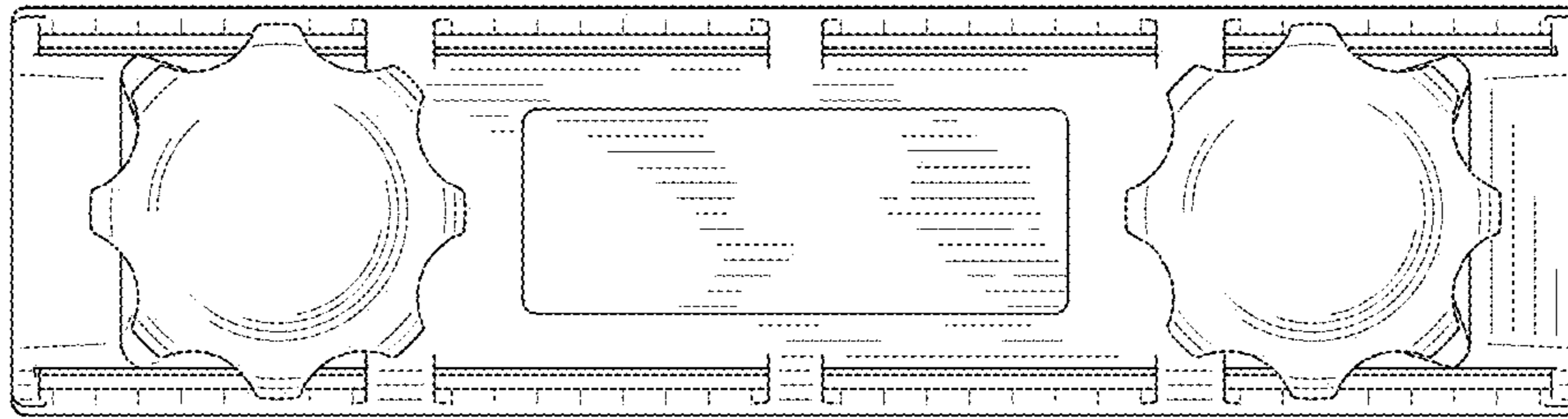


FIG. 1

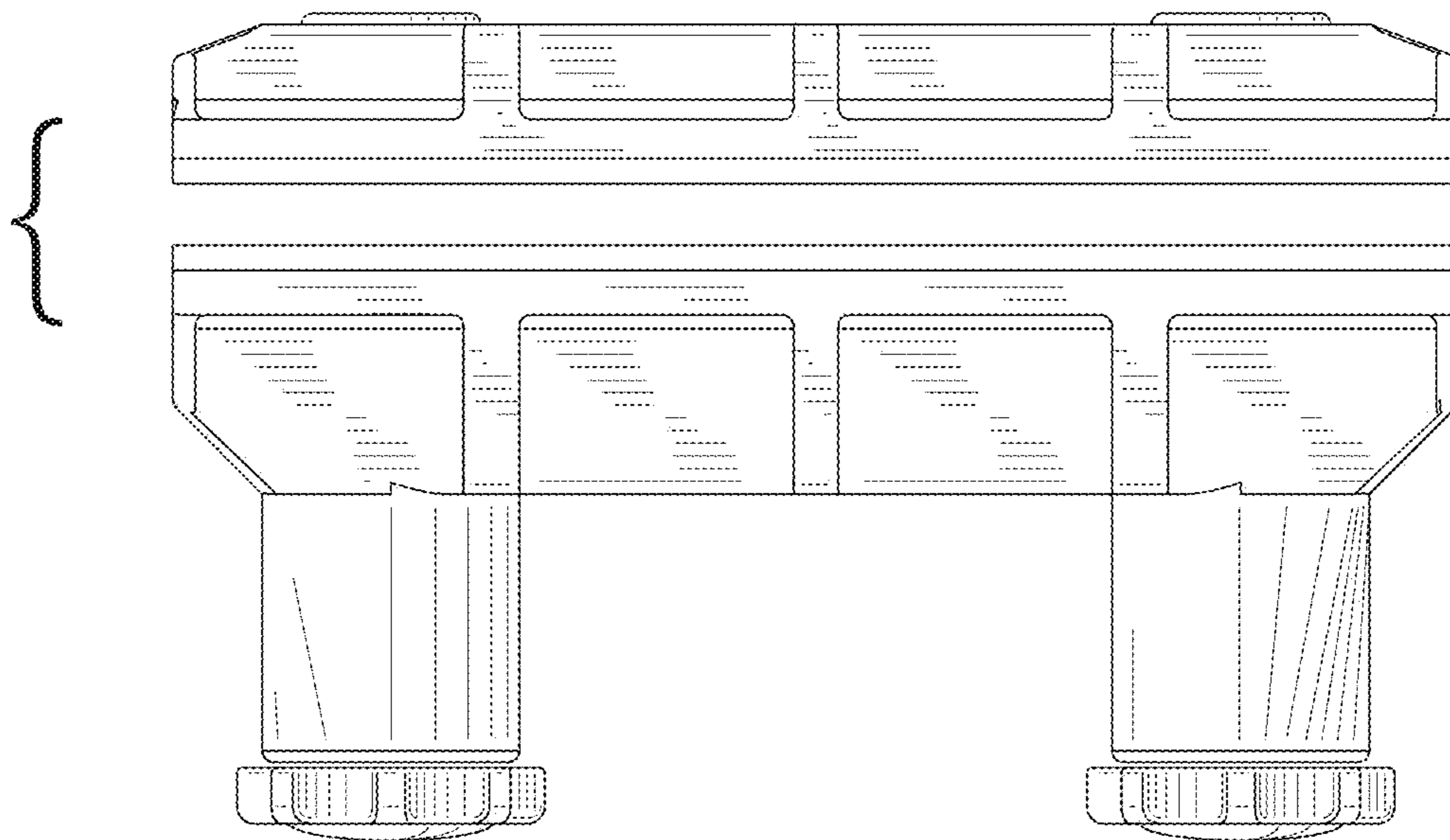


FIG. 2

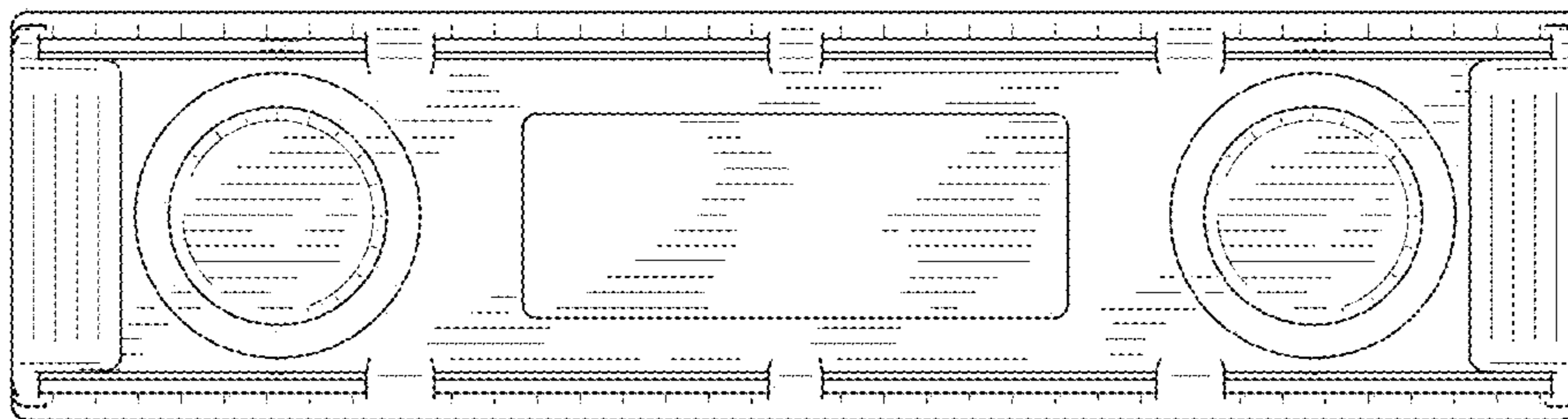


FIG. 3

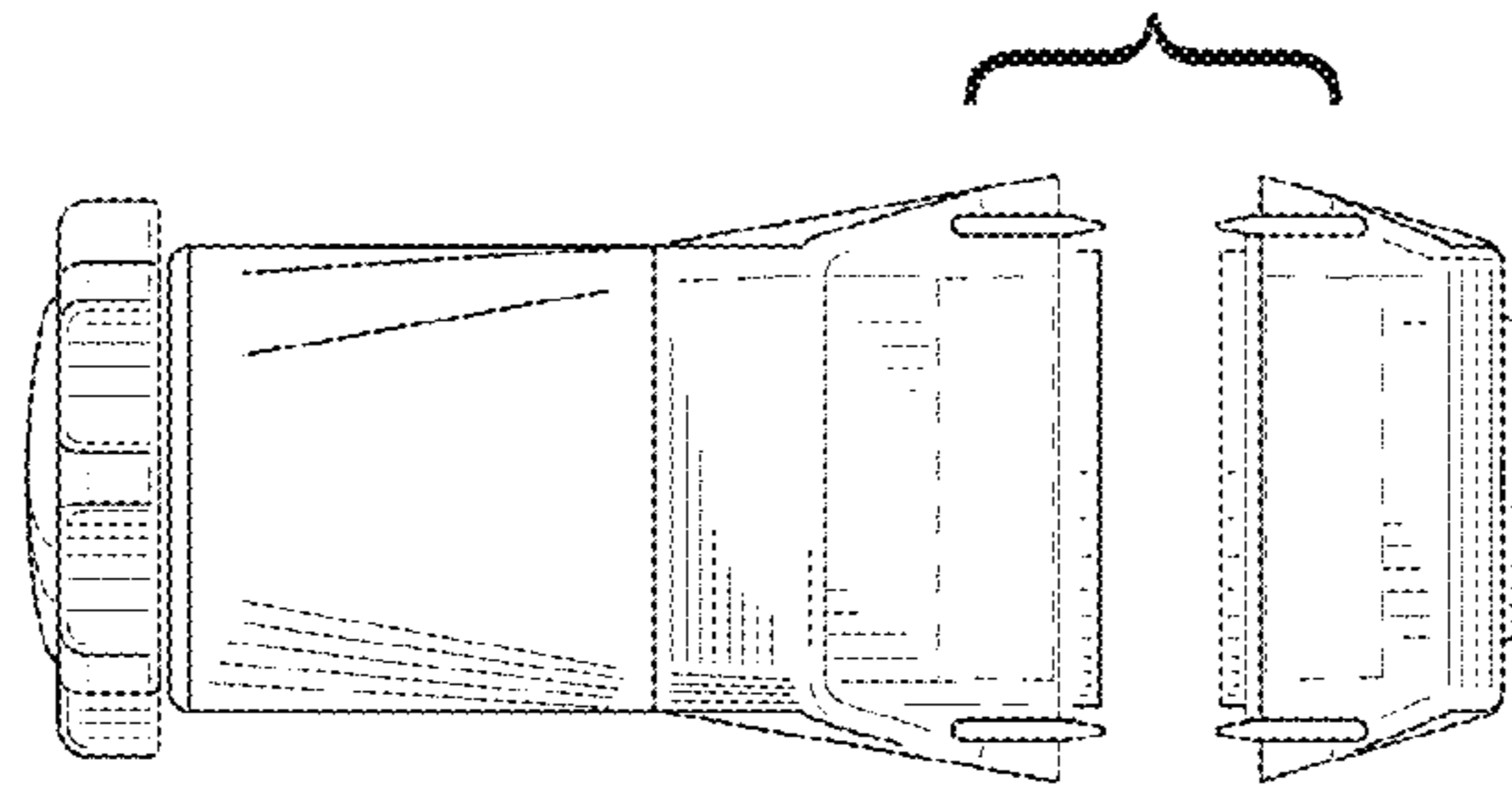


FIG. 4

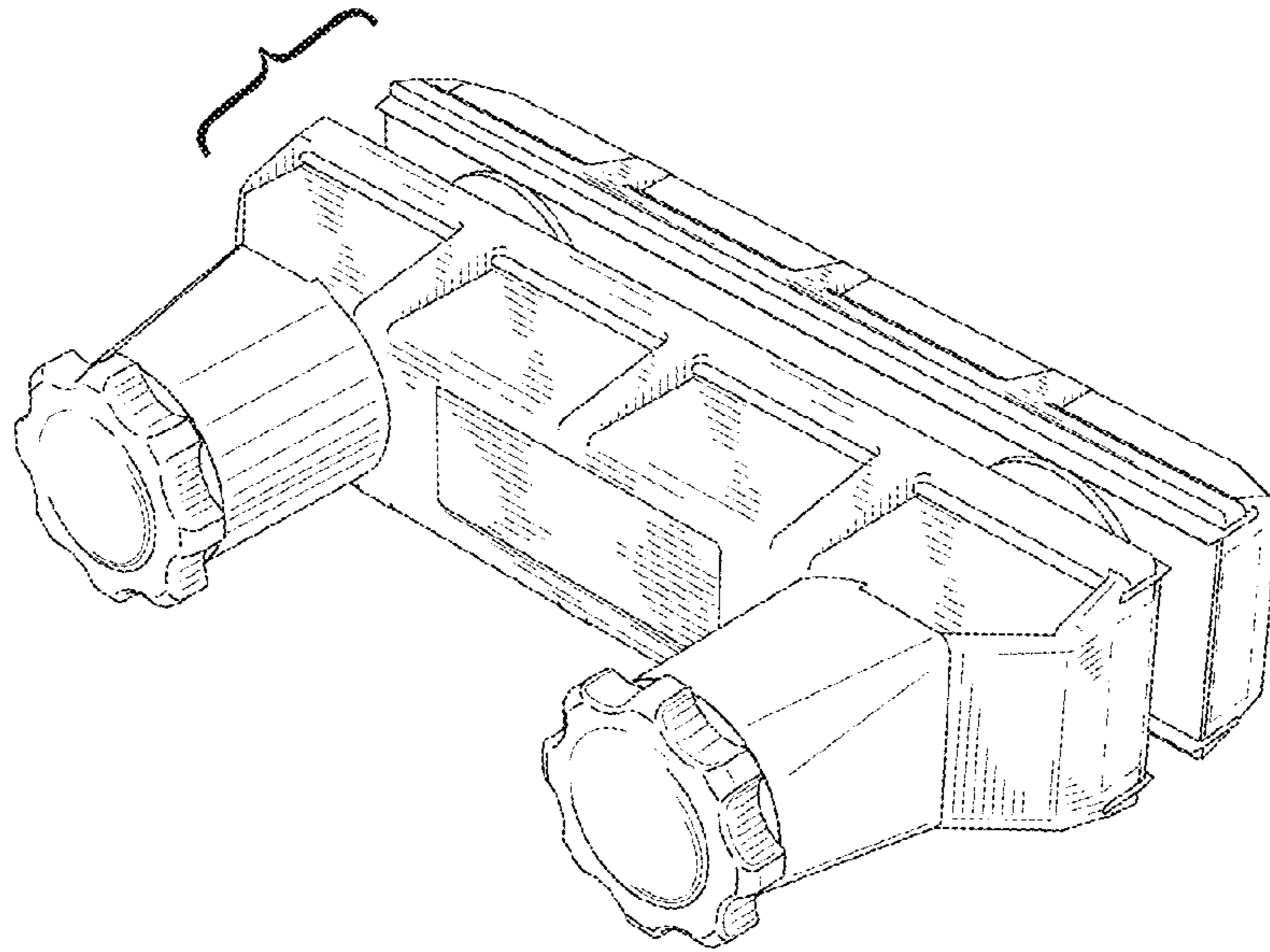


FIG. 5

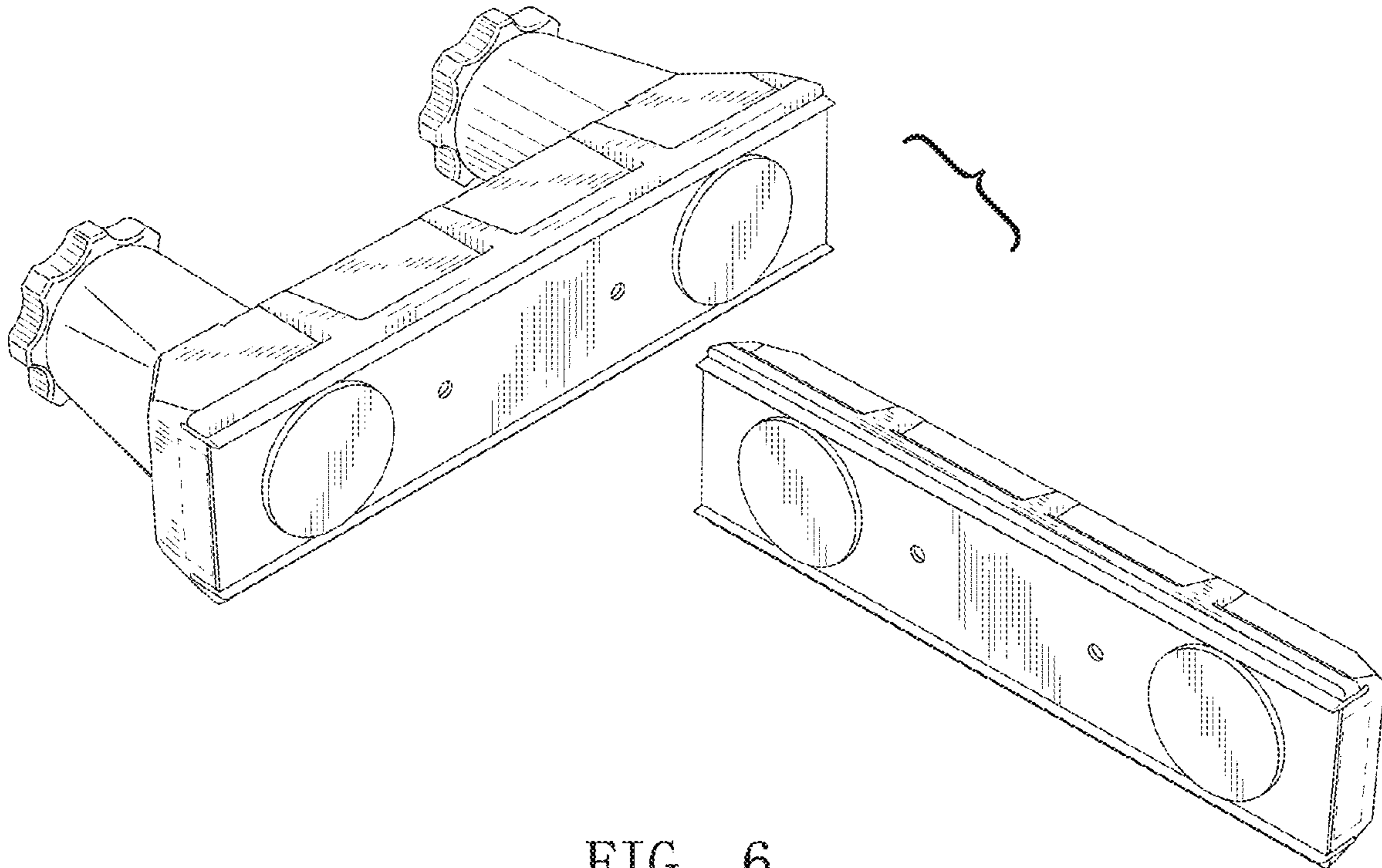


FIG. 6