



US00D930928S

(12) **United States Design Patent** (10) **Patent No.:** **US D930,928 S**  
**Pastor et al.** (45) **Date of Patent:** **\*\* Sep. 14, 2021**

(54) **FRAME FOR A PRESSURE WASHER**

(71) Applicant: **Karcher North America, Inc.**, Denver, CO (US)

(72) Inventors: **Marcos Moreno Pastor**, San Nicolas de los Garza (MX); **Michael Meyer**, Schwaikheim (DE)

(73) Assignee: **KARCHER NORTH AMERICA, INC.**, Denver, CO (US)

(\*\*) Term: **15 Years**

(21) Appl. No.: **29/707,230**

(22) Filed: **Sep. 26, 2019**

(51) **LOC (13) Cl.** ..... **15-05**

(52) **U.S. Cl.**  
USPC ..... **D32/25**

(58) **Field of Classification Search**  
USPC ..... D32/16, 21, 15; D34/14, 19, 12; D23/359; D15/5  
CPC ..... B08B 31/12; B05B 9/0855; B05B 1/1654; B05B 174/05; F05B 9/0426; F04B 17/05; F04B 49/24  
See application file for complete search history.

(56) **References Cited**

**U.S. PATENT DOCUMENTS**

3,940,065 A 2/1976 Ware et al.  
5,299,767 A 4/1994 Simpson  
D375,590 S 11/1996 Steinhart et al.

(Continued)

**FOREIGN PATENT DOCUMENTS**

CA 2352902 1/2002  
CN 2880608 3/2007

(Continued)

**OTHER PUBLICATIONS**

AliExpress <https://www.aliexpress.com/item/32839688949.html> (Year: 2021).\*

(Continued)

*Primary Examiner* — Michelle E. Wilson

*Assistant Examiner* — Richard E Yenchesky

(74) *Attorney, Agent, or Firm* — Sheridan Ross P.C.

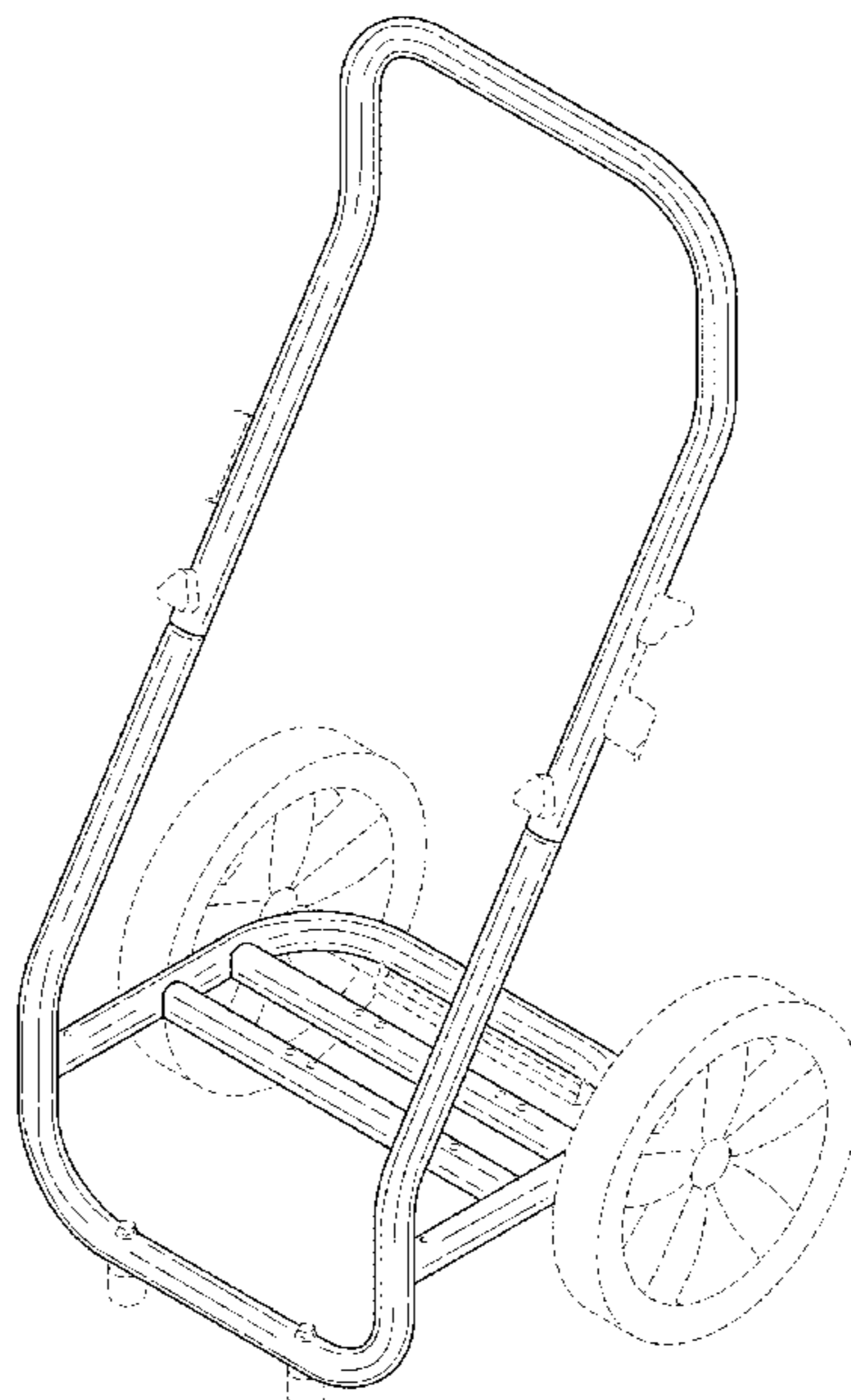
(57) **CLAIM**

The ornamental design of a frame for a pressure washer, as shown and described.

**DESCRIPTION**

FIG. 1 is a front perspective of the frame for a pressure washer;  
FIG. 2 is a front elevation view thereof;  
FIG. 3 is a rear elevation view thereof;  
FIG. 4 is a right elevation view thereof;  
FIG. 5 is a left elevation view thereof;  
FIG. 6 is a top plan view thereof;  
FIG. 7 is a bottom plan view thereof;  
FIG. 8 is a front perspective view of a frame for a pressure washer according to another embodiment;  
FIG. 9 is a front elevation view of the embodiment of FIG. 8;  
FIG. 10 is a rear elevation view of the embodiment of FIG. 8;  
FIG. 11 is a right elevation view of the embodiment of FIG. 8;  
FIG. 12 is a left elevation view of the embodiment of FIG. 8;  
FIG. 13 is a top plan view of the embodiment of FIG. 8; and, FIG. 14 is a bottom plan view of the embodiment of FIG. 8. The broken lines showing portions of a frame for a pressure washer are included for the purpose of illustrating environment and form no part of the claimed design.

**1 Claim, 14 Drawing Sheets**



(56)

References Cited

U.S. PATENT DOCUMENTS

D378,037 S 2/1997 Dunlap  
 D414,968 S 10/1999 Thurston-Chartraw  
 6,206,980 B1 3/2001 Robinson  
 D458,423 S \* 6/2002 Rehkugler ..... D32/1  
 D459,851 S \* 7/2002 Rehkugler ..... D34/24  
 D463,888 S 10/2002 Rehkugler et al.  
 D465,624 S 11/2002 Kolicheski et al.  
 D467,692 S 12/2002 Morgan et al.  
 6,935,642 B1 8/2005 Craig et al.  
 D542,065 S 5/2007 Snell  
 D547,021 S 7/2007 Stein  
 D579,612 S \* 10/2008 Rutkowski ..... D32/25  
 D580,610 S 11/2008 Hawkins  
 D590,110 S \* 4/2009 Hawkins ..... D32/25  
 1,359,011 A1 4/2009 Hawkins  
 D596,817 S \* 7/2009 Glass ..... D32/25  
 7,752,706 B2 7/2010 Goodger  
 D622,471 S 8/2010 Hernandez  
 D633,263 S \* 2/2011 Fay ..... D32/15  
 D634,083 S \* 3/2011 Fay ..... D32/15  
 D639,001 S \* 5/2011 Alexander ..... D32/15  
 D648,082 S \* 11/2011 Alexander ..... D32/15  
 8,083,497 B2 12/2011 Gilpatrick et al.  
 D655,467 S 3/2012 Hawkins  
 D665,545 S 8/2012 Alexander et al.  
 8,337,172 B2 12/2012 Klika et al.  
 8,408,882 B2 4/2013 Klika et al.  
 D688,841 S \* 8/2013 van Deursen ..... D32/25  
 1,688,841 A1 8/2013 van Deursen  
 D702,900 S \* 4/2014 Kahan ..... D32/16  
 D703,888 S 4/2014 Kahan et al.  
 8,783,587 B2 7/2014 Bearup et al.  
 8,794,209 B2 8/2014 Klika et al.  
 D732,764 S \* 6/2015 Kennard ..... D32/15  
 D733,373 S \* 6/2015 Kahan ..... D32/16  
 D779,746 S 2/2017 Weinberg et al.  
 D824,612 S \* 7/2018 Alexander ..... D32/16  
 D824,613 S \* 7/2018 Alexander ..... D32/16  
 D834,269 S \* 11/2018 Masters ..... D32/15  
 D842,012 S 3/2019 Yang  
 D854,763 S 7/2019 Alexander  
 D910,252 S \* 2/2021 Schuetz ..... D32/16  
 D910,942 S \* 2/2021 Schuetz ..... D32/16  
 D911,640 S \* 2/2021 Schuetz ..... D32/16  
 2002/0122730 A1 9/2002 Dexter et al.  
 2003/0122331 A1 7/2003 DiGiacomo, Jr. et al.  
 2006/0076779 A1 4/2006 Craig et al.  
 2006/0102212 A1 5/2006 Leasure et al.

2006/0102745 A1\* 5/2006 Dexter ..... B05B 9/0855  
 239/146  
 2007/0169796 A1 7/2007 Johnson et al.  
 2011/0315176 A1 12/2011 Gilpatrick  
 2012/0124955 A1 5/2012 Klika et al.  
 2014/0375004 A1 12/2014 Adams et al.  
 2018/0021819 A1 1/2018 Schaller et al.  
 2018/0290180 A1 10/2018 Luby

FOREIGN PATENT DOCUMENTS

CN 304794963 8/2018  
 EM 003255488-0002 7/2016  
 KR 30-0694718 5/2013

OTHER PUBLICATIONS

“Karcher K 2400 HH (1.194-301.0) Pressure Washer Parts,”  
 eReplacementParts, 2019, retrieved from [www.ereplacementparts.com/karcher-2400-11943010-pressure-washer-parts-c-33388\\_33389\\_33656.html](http://www.ereplacementparts.com/karcher-2400-11943010-pressure-washer-parts-c-33388_33389_33656.html), 17 pages.  
 Official Action for Australian Patent Application No. 202011257, dated Apr. 9, 2020, 3 pages.  
 Official Action for U.S. Appl. No. 15/945,977, dated Apr. 15, 2020, 9 pages.  
 Notice of Allowance for U.S. Appl. No. 15/945,977, dated Mar. 23, 2020, 7 pages.  
 International Preliminary Report on Patentability for International (PCT) Application No. PCT/US2018/26162, dated Oct. 17, 2019, 9 pages.  
 Official Action for U.S. Appl. No. 15/945,977, dated Dec. 27, 2019, 9 pages.  
 U.S. Appl. No. 29/681,236, filed Feb. 22, 2019, O’Kane et al.  
 International Search Report and Written Opinion for International (PCT) Patent Application No. PCT/US2018/26162, dated Jun. 29, 2018, 10 pages.  
 U.S. Appl. No. 17/099,250, filed Nov. 15, 2020, Luby et al.  
 Official Action for Australian Patent Application No. 2018250229, dated Sep. 15, 2020, 7 pages.  
 Notice of Allowance for U.S. Appl. No. 15/945,977, dated Jul. 22, 2020, 8 pages.  
 Official Action for U.S. Appl. No. 15/945,977, dated Nov. 4, 2019, 6 pages Restriction Requirement.  
 Official Action for Australia Patent Application No. 2018250229, dated Dec. 14, 2020, 3 pages.  
 Official Action for Canada Patent Application No. 3059110, dated Dec. 22, 2020, 3 pages.

\* cited by examiner

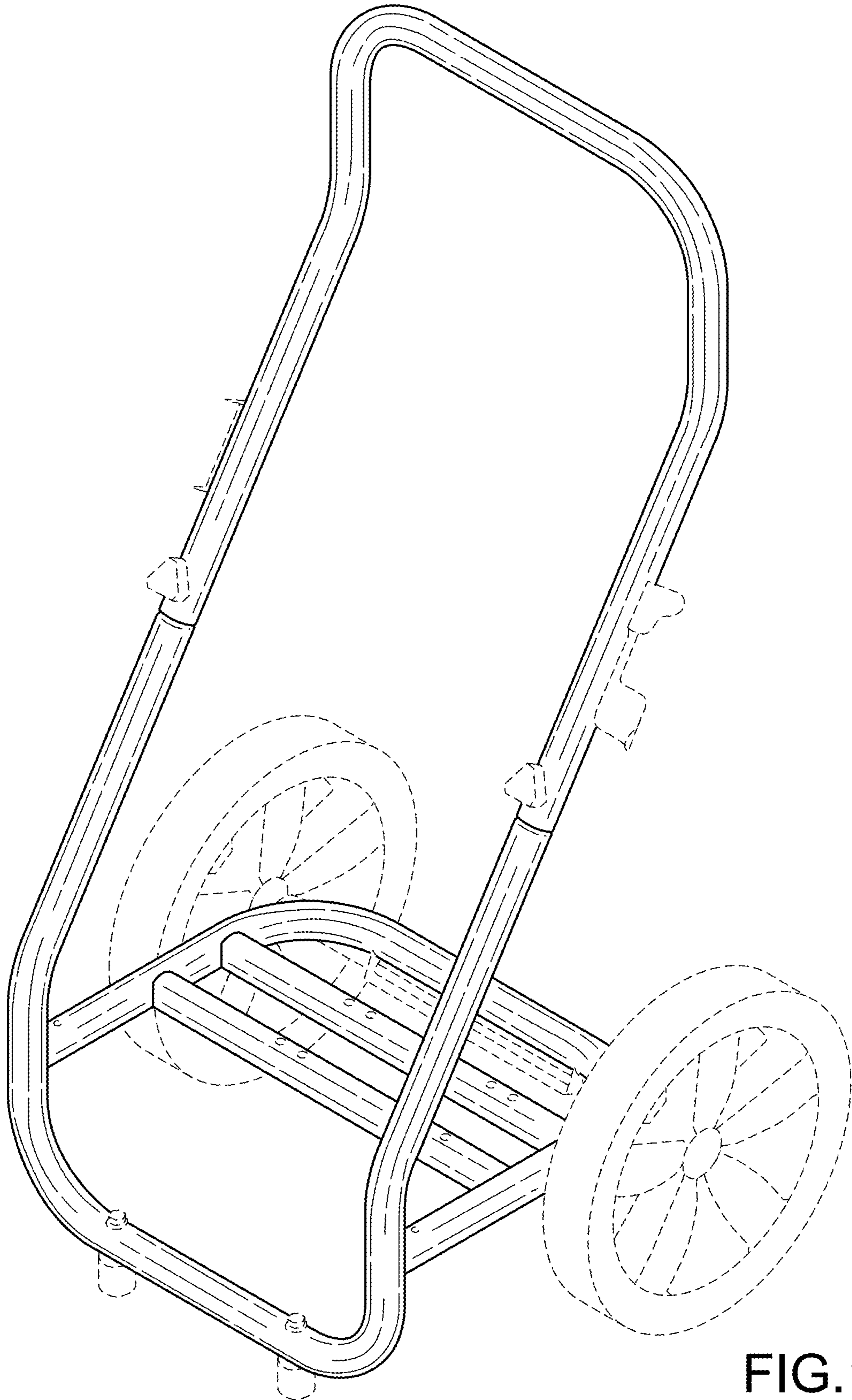


FIG. 1

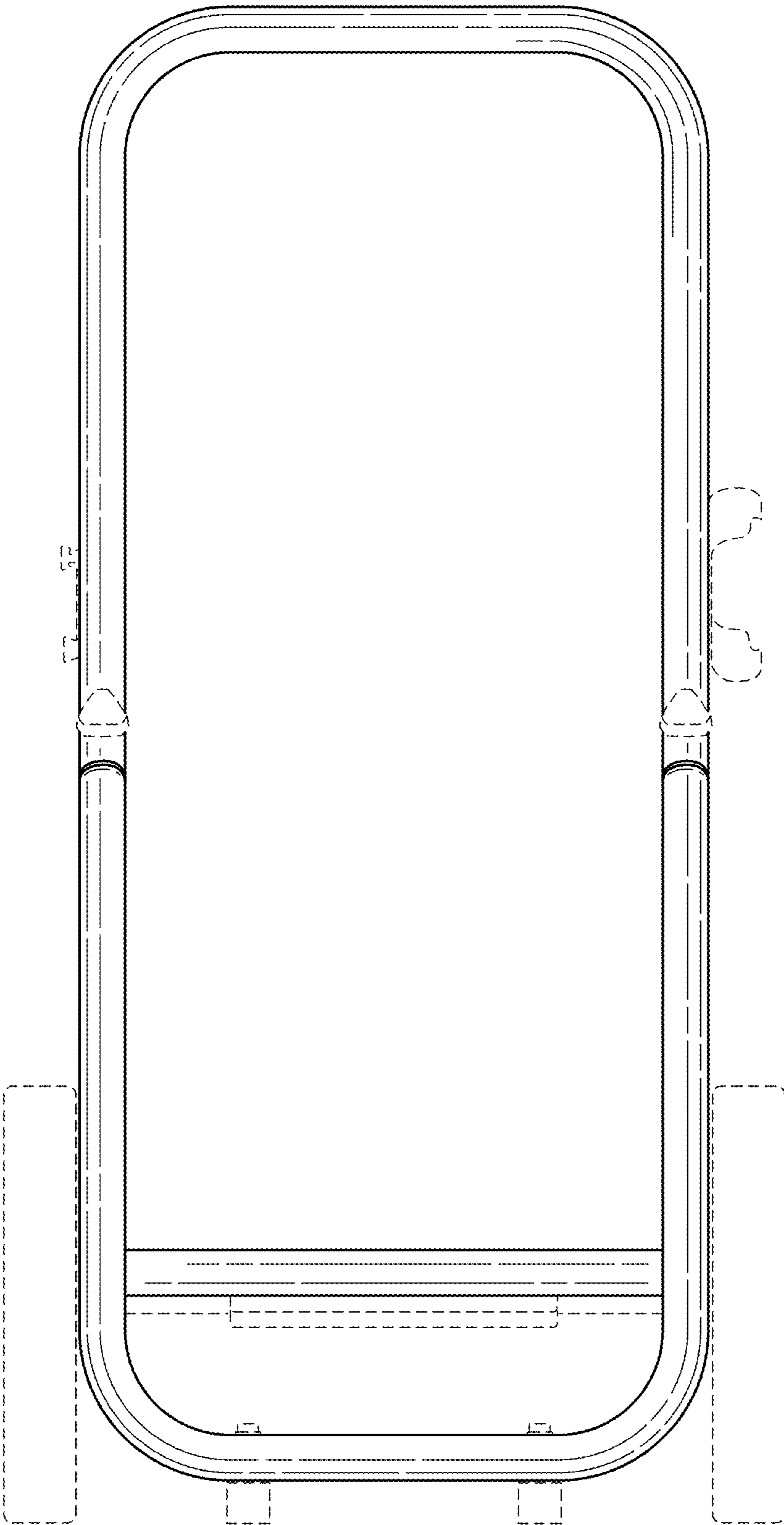


FIG.2

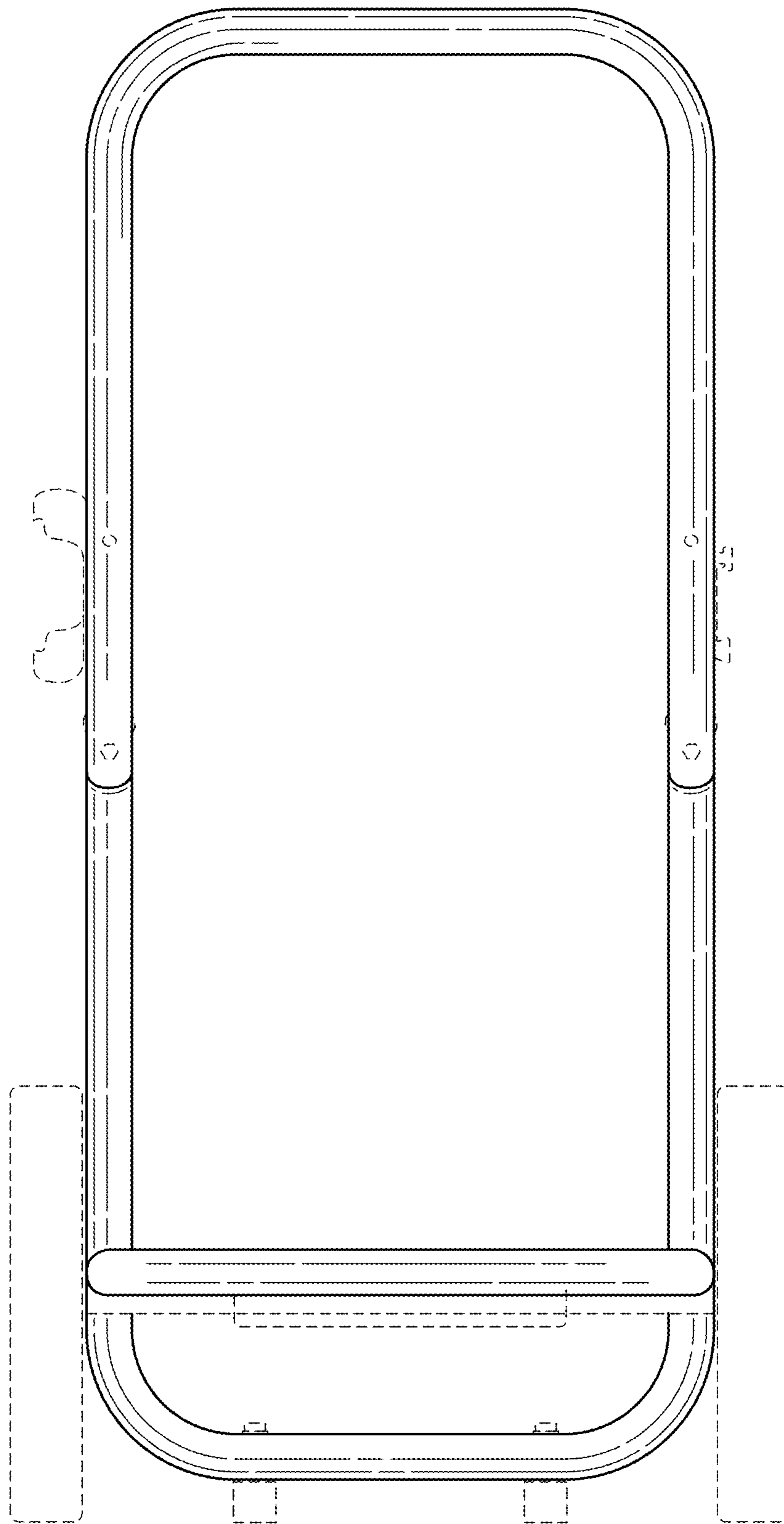


FIG.3

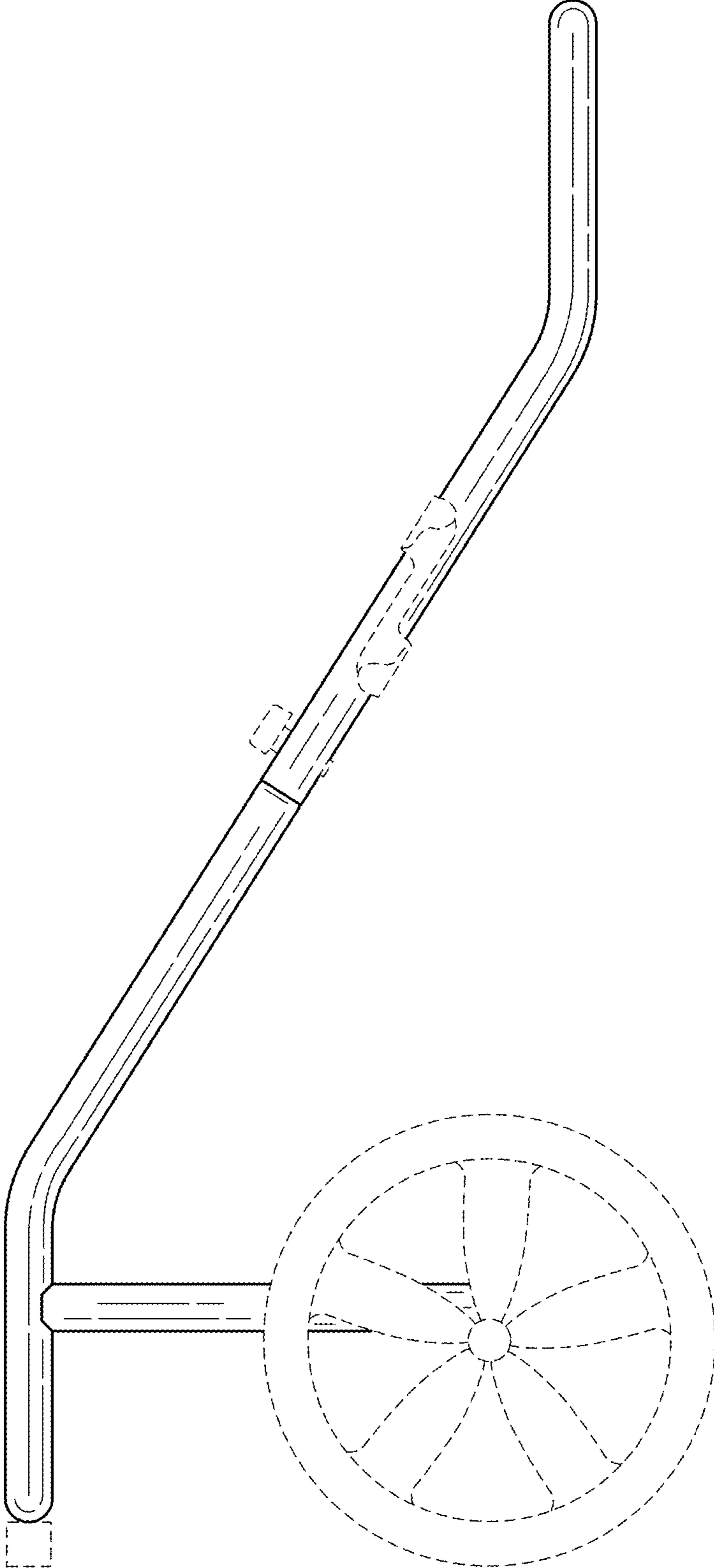


FIG.4

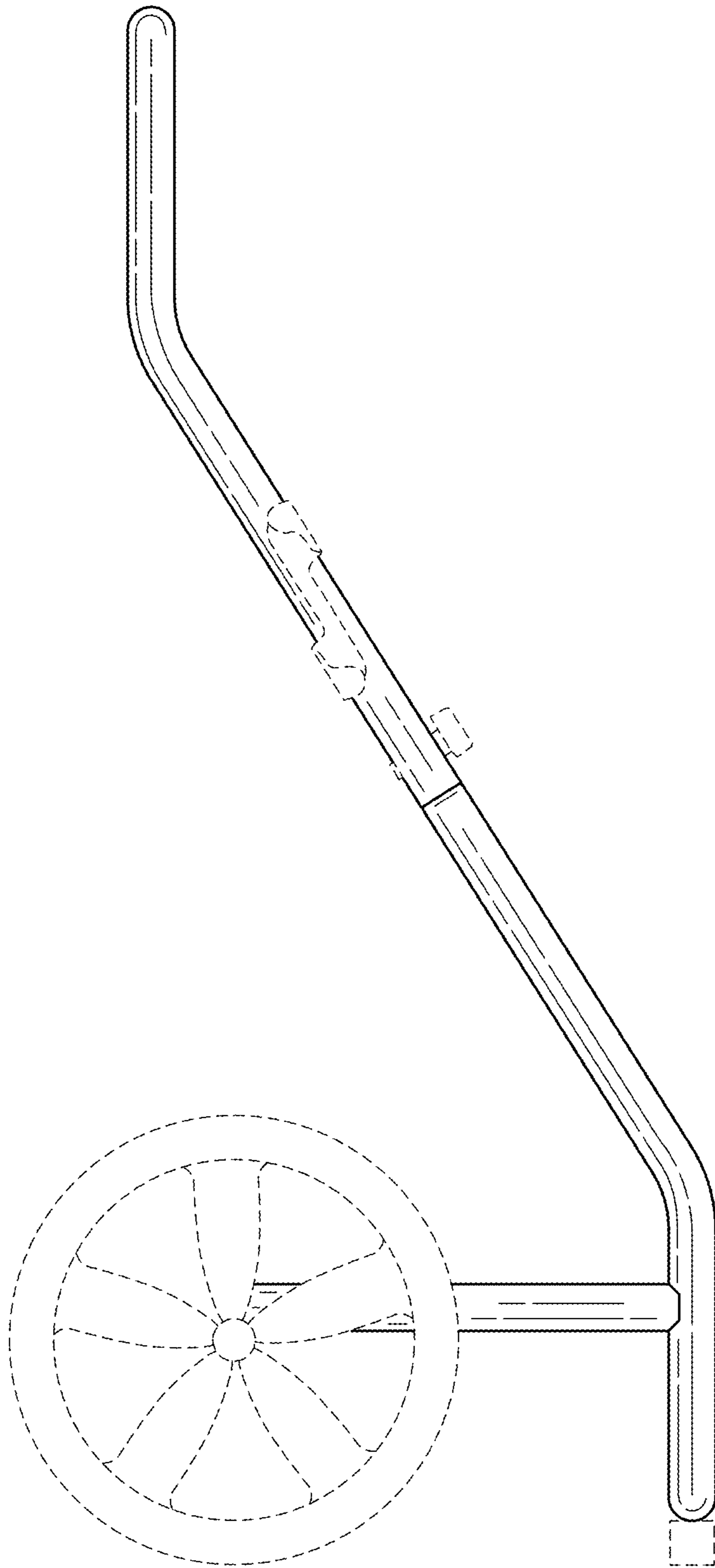


FIG.5

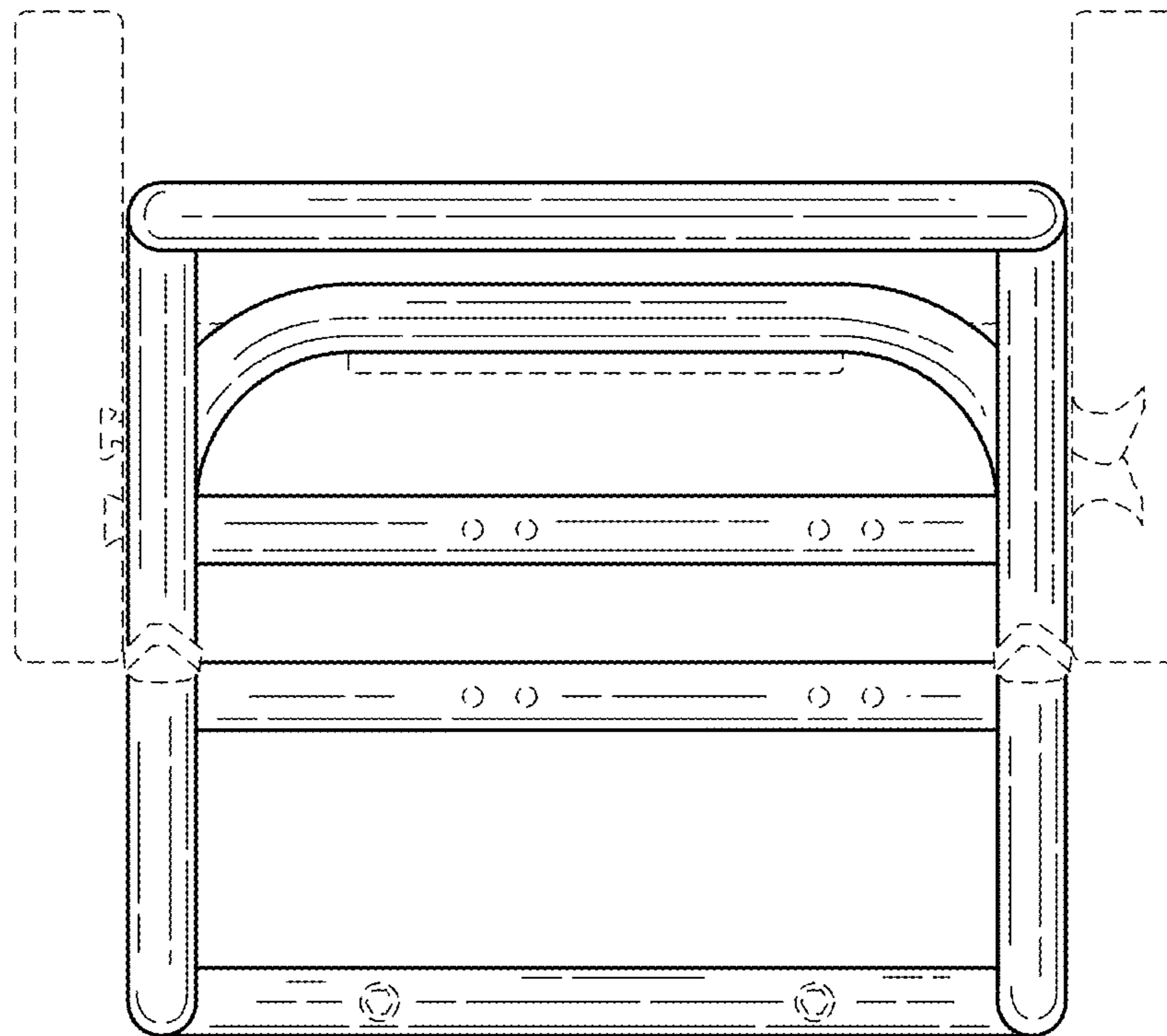


FIG. 6



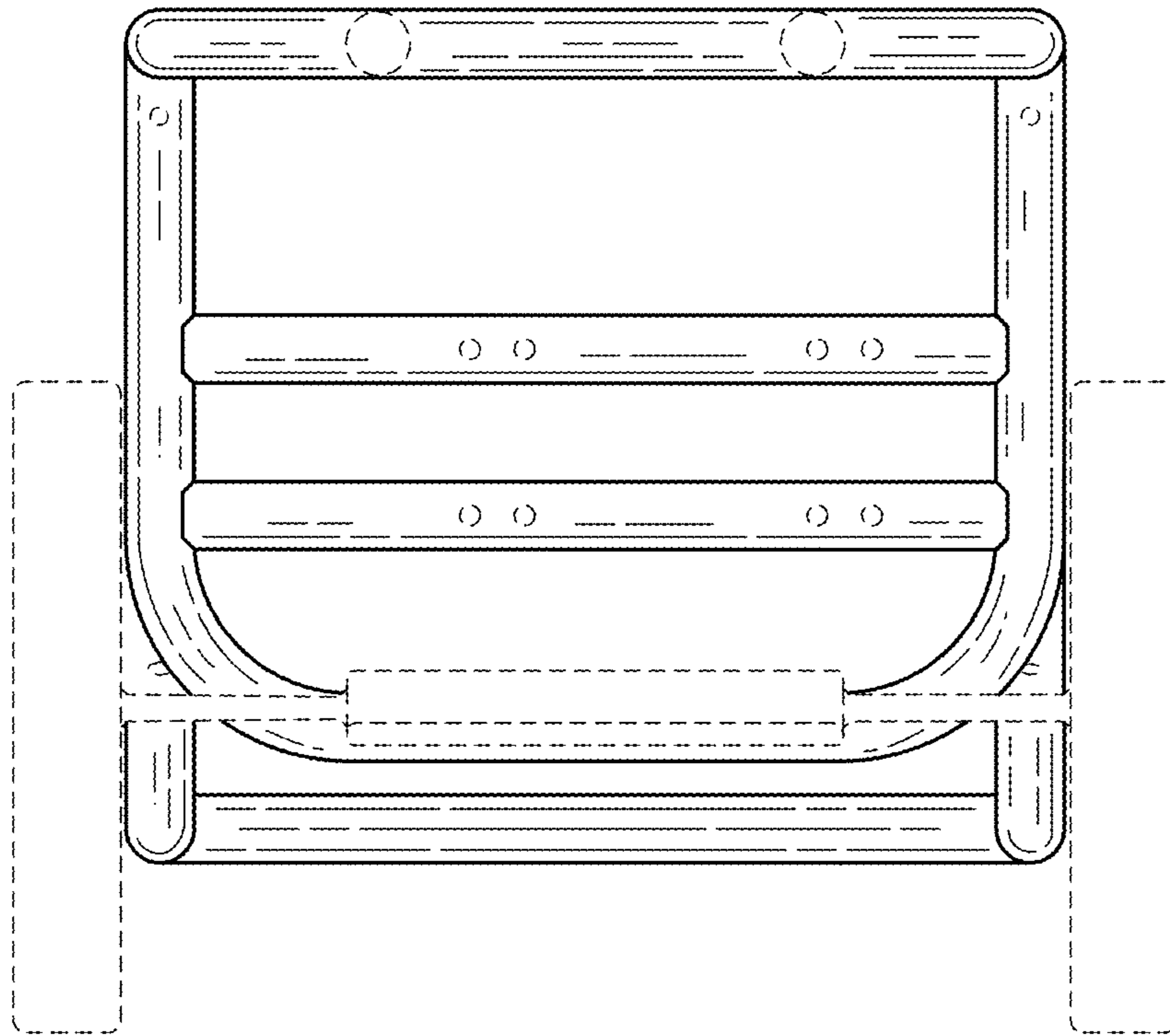


FIG.7

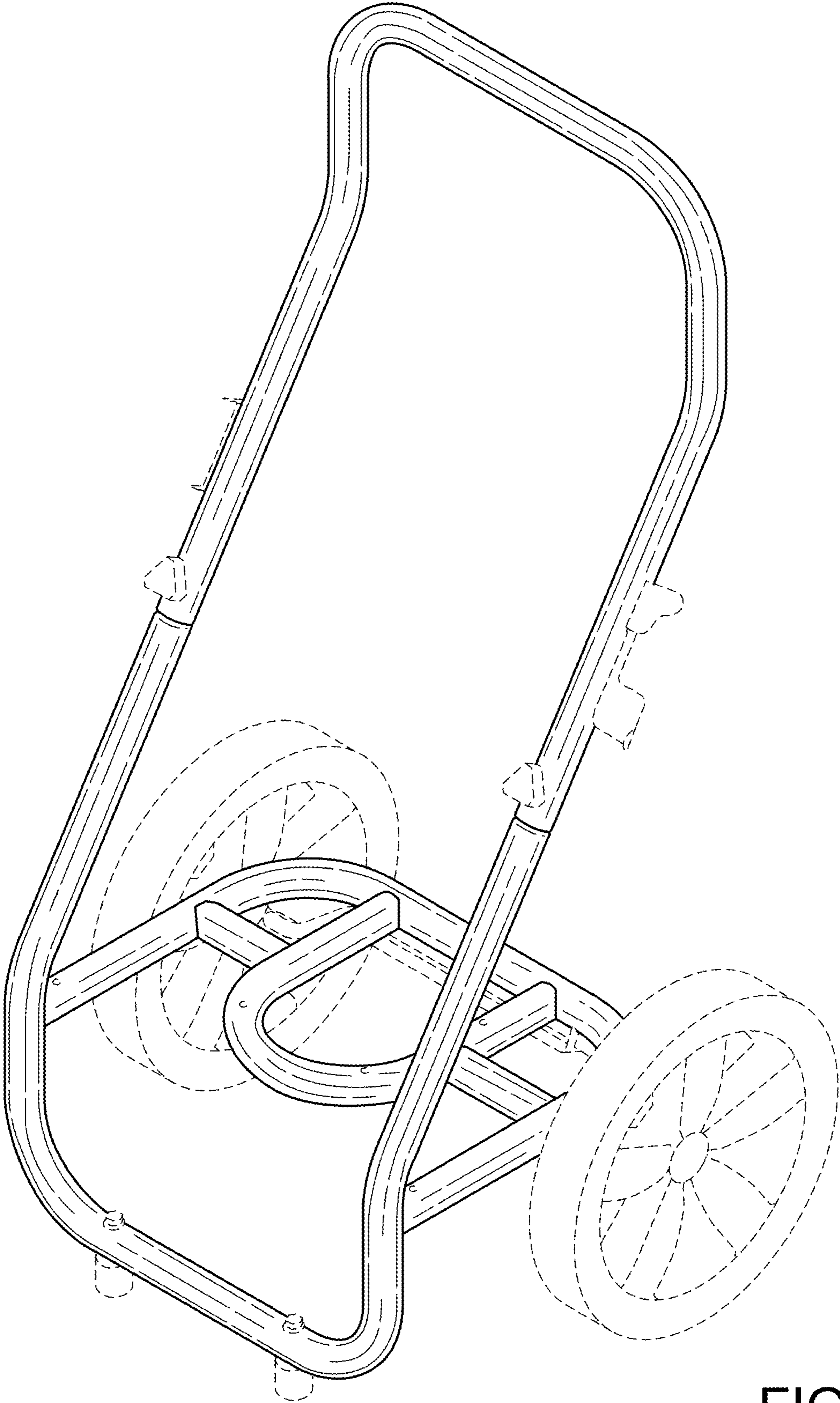


FIG.8

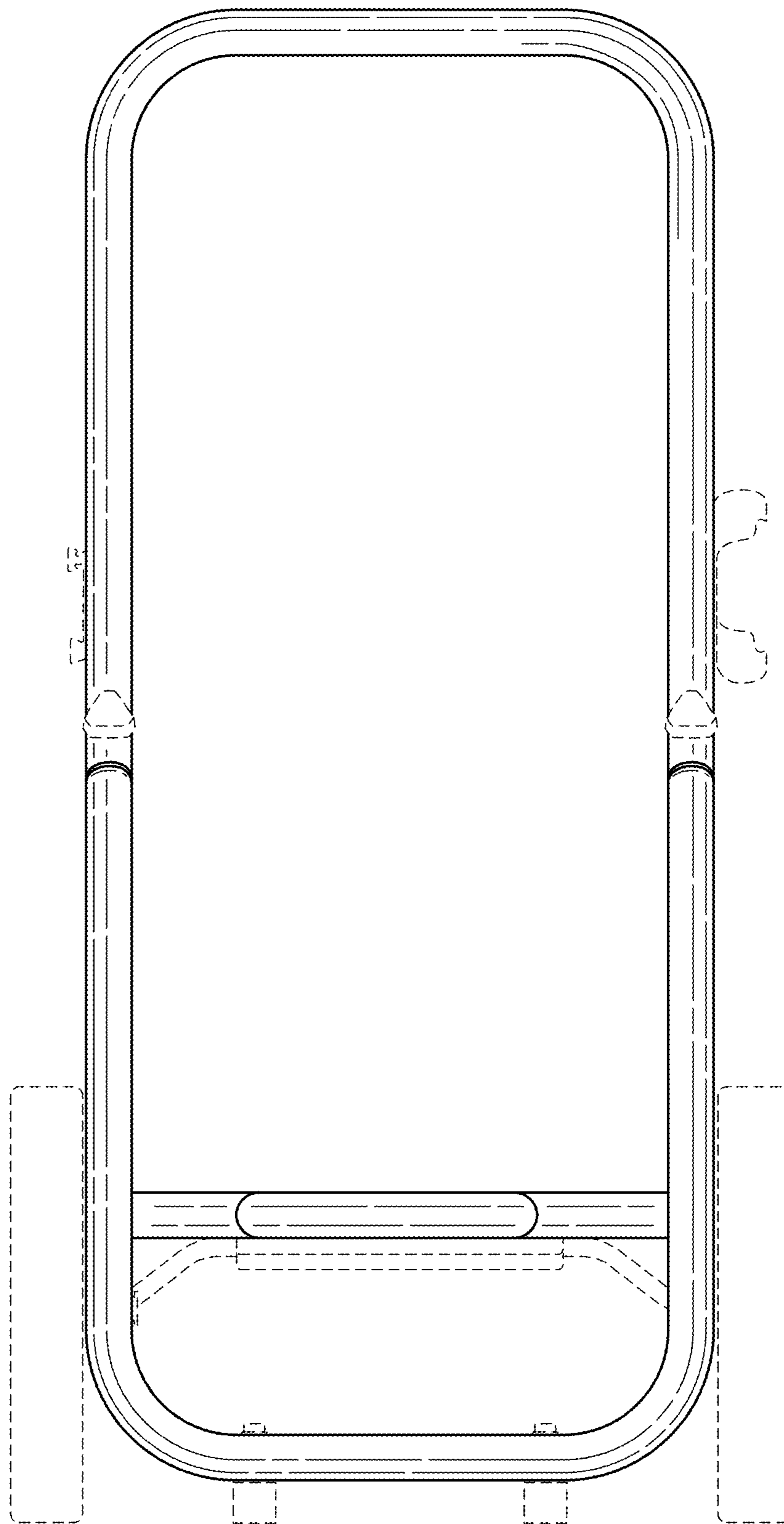


FIG.9

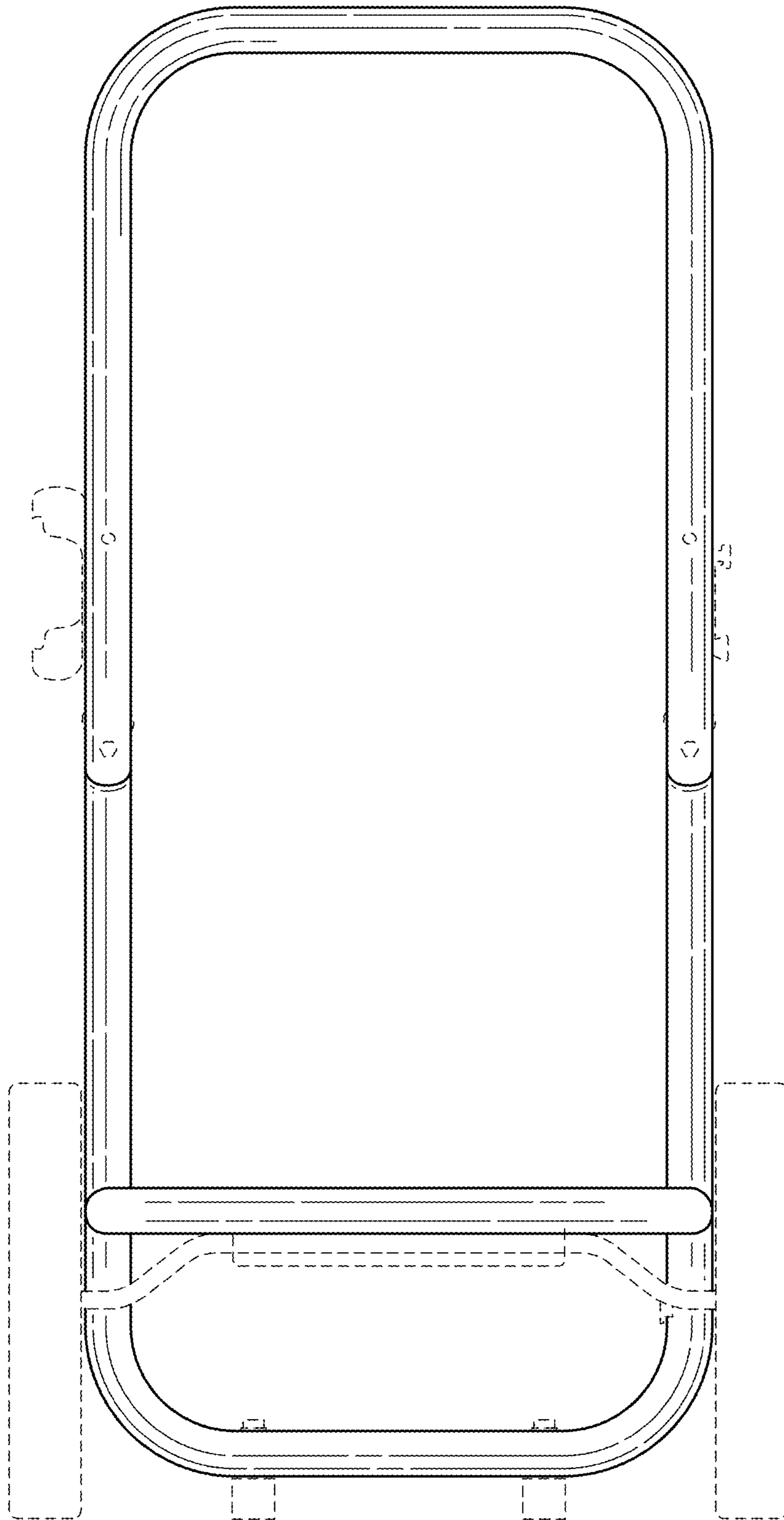


FIG.10

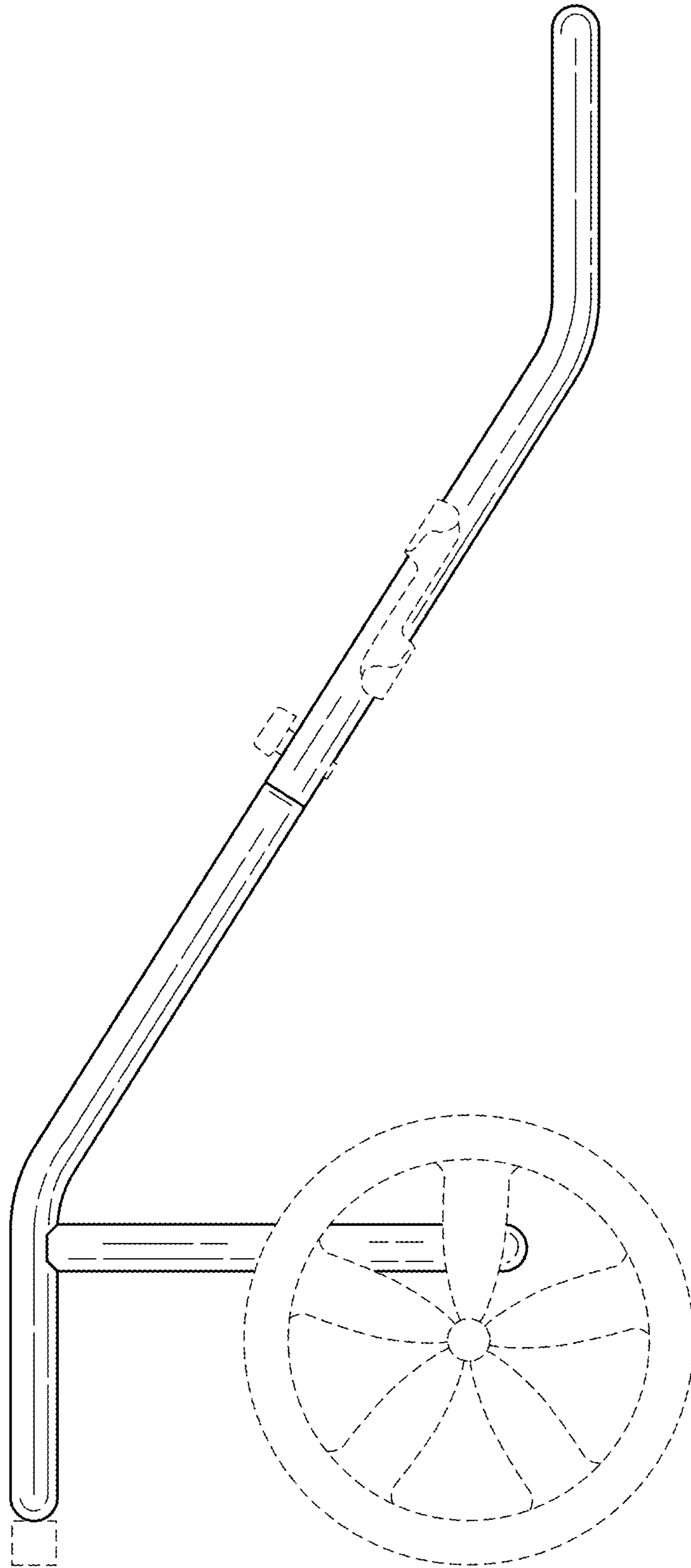


FIG.11

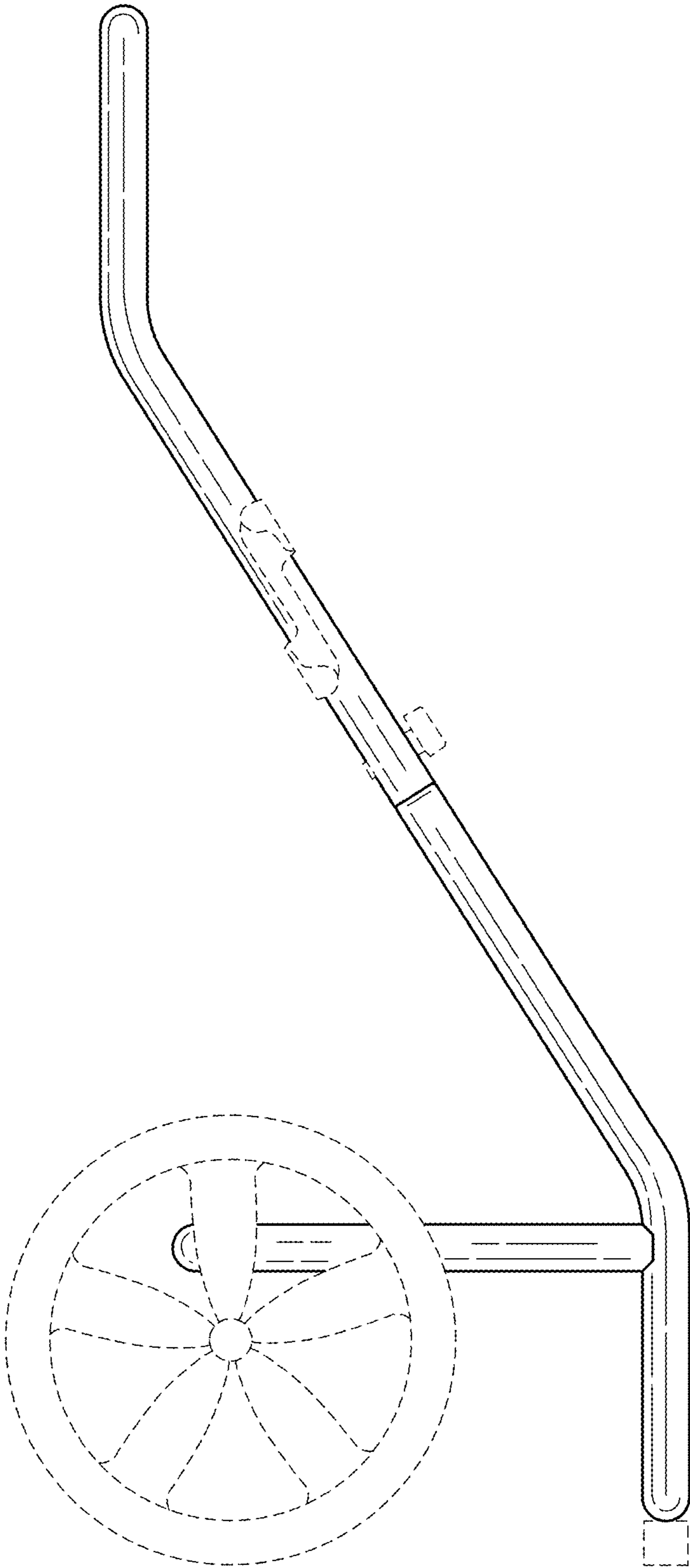


FIG.12

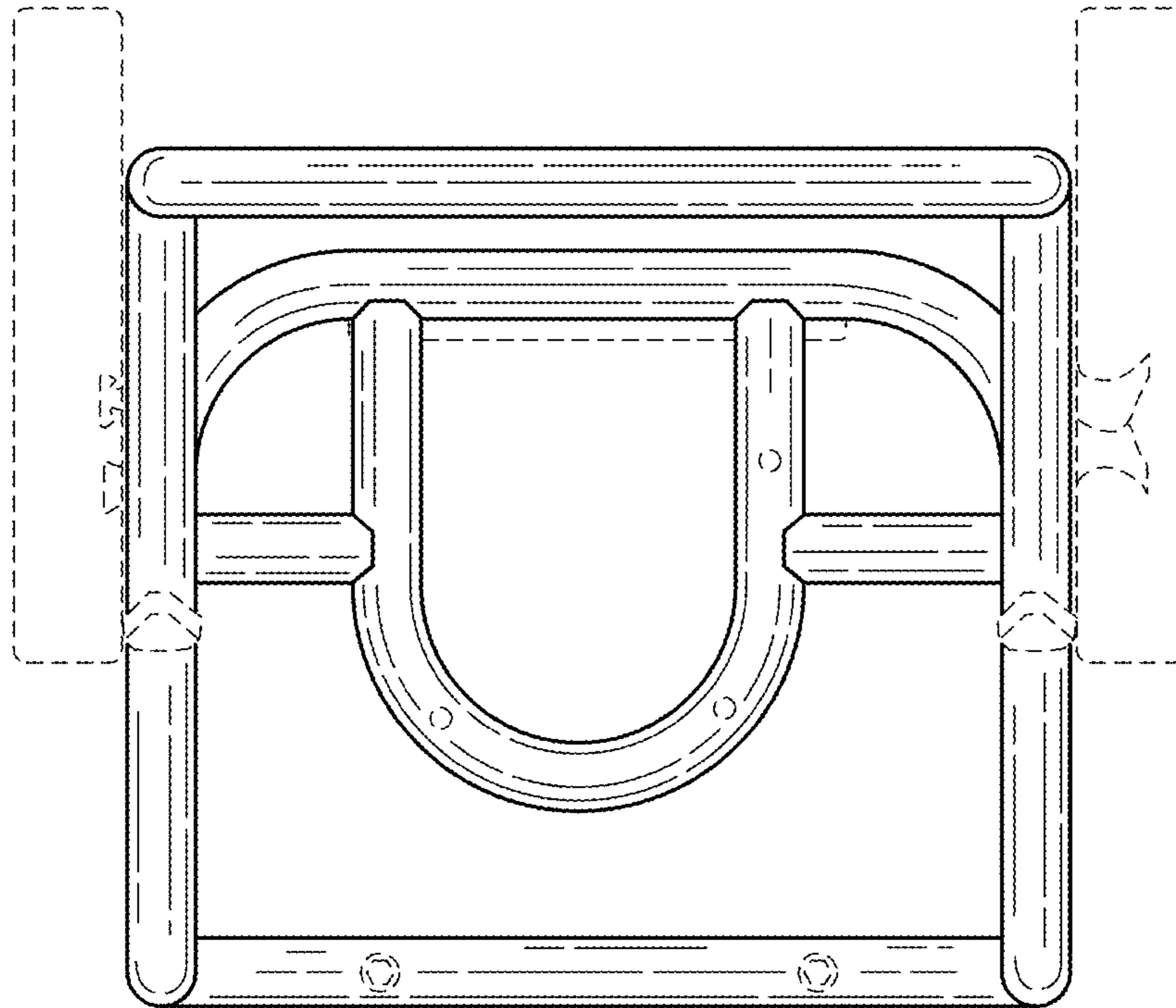


FIG.13

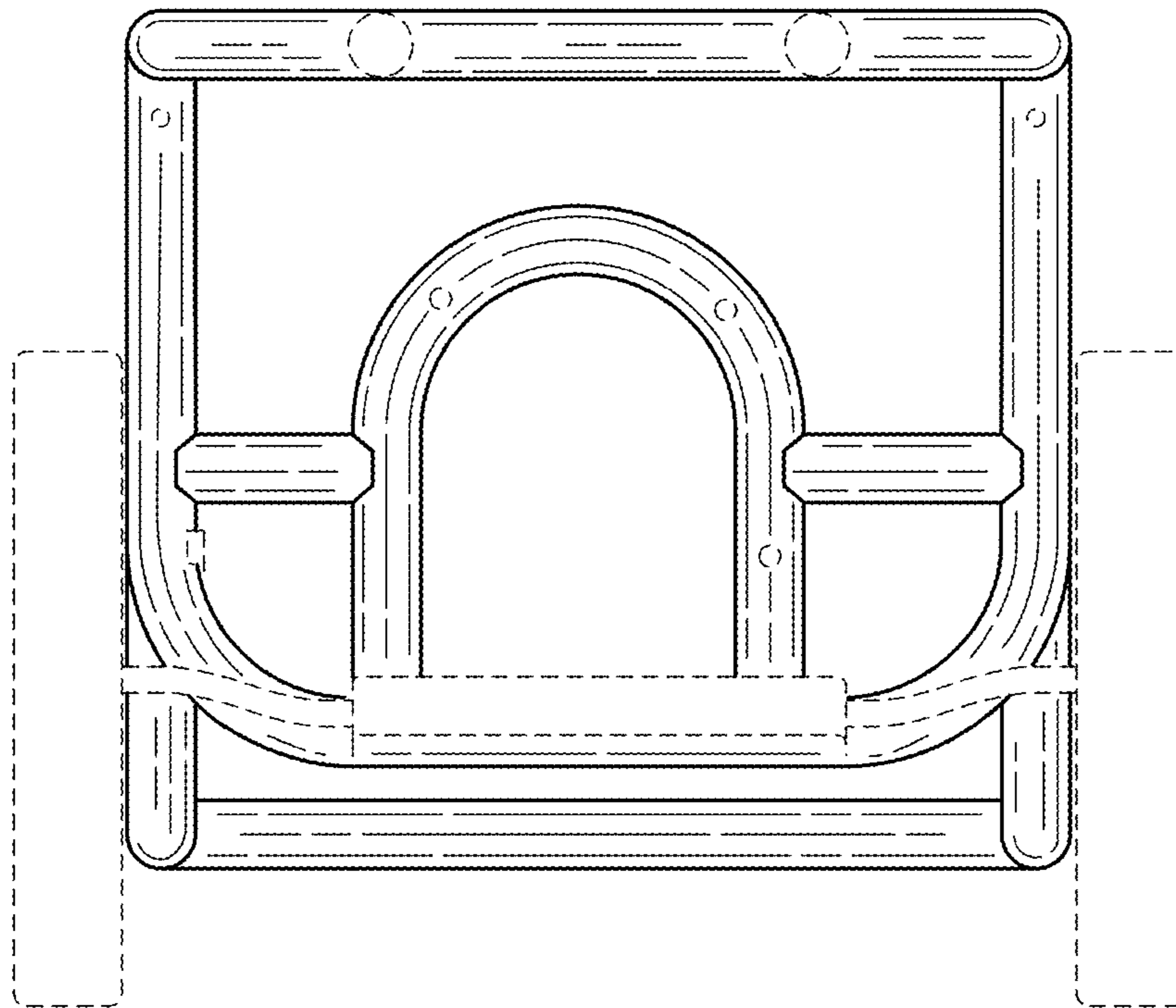


FIG.14