



US00D930927S

(12) **United States Design Patent** (10) **Patent No.:** **US D930,927 S**
Smith et al. (45) **Date of Patent:** **** Sep. 14, 2021**

- (54) **UPRIGHT VACUUM CLEANER**
- (71) Applicant: **BISSELL INC.**, Grand Rapids, MI (US)
- (72) Inventors: **Derek Everett Smith**, Grand Rapids, MI (US); **Jing Yang**, Zhongshan (CN); **Guoqiang Yi**, Suzhou (CN)
- (73) Assignee: **BISSELL Inc.**, Grand Rapids, MI (US)
- (**) Term: **15 Years**
- (21) Appl. No.: **29/674,904**
- (22) Filed: **Dec. 27, 2018**
- (51) **LOC (13) Cl.** **15-05**
- (52) **U.S. Cl.**
USPC **D32/22**
- (58) **Field of Classification Search**
USPC D32/18, 21, 22, 23, 24, 31; D8/70
CPC A47L 2201/024; A47L 5/24; A47L 5/30;
A47L 5/36; A47L 5/225; A47L 5/365;
A47L 9/0036; A47L 9/04; A47L 9/0411;
A47L 9/24; A47L 9/106; A47L 9/1683;
A47L 9/322; A47L 9/325; A47L 9/327;
A47L 9/1608; A47L 7/0004; A47L
7/0095; B23Q 11/0046; B23Q 11/0071;
B25D 16/00
See application file for complete search history.

- 10,791,900 B2 * 10/2020 Tran A47L 9/0494
 - 10,820,769 B2 * 11/2020 Xia A46B 1/00
 - 10,966,586 B2 * 4/2021 Luyckx A47L 11/4027
 - 10,973,383 B1 * 4/2021 Nguyen A47L 9/0477
 - 11,006,796 B2 * 5/2021 Kwon A47L 9/2852
 - 2017/0296006 A1 * 10/2017 Wang A47L 9/1633
 - 2018/0084964 A1 * 3/2018 Pi A47L 9/2884
- (Continued)

FOREIGN PATENT DOCUMENTS

CN	303959711	* 12/2016
JP	D1570053	* 2/2017
RU	00102181	* 2/2017

OTHER PUBLICATIONS

Vacuum Cleaner, Bissell Cordless Stick Vacuum, announced 2020 [online], [site visited Oct. 1, 2020], Available from the internet URL: <https://www.bestbuy.com/site/bissell-adapt-ion-xrt-cordless-stick-vacuum-cobalt-blue-titanium/6361515.p?skuId=6361515> (Year: 2020).*

(Continued)

Primary Examiner — Dana K Weiland
Assistant Examiner — Jennylou M Binas
(74) *Attorney, Agent, or Firm* — McGarry Bair PC

(57) **CLAIM**

The ornamental design for an upright vacuum cleaner, as shown and described.

DESCRIPTION

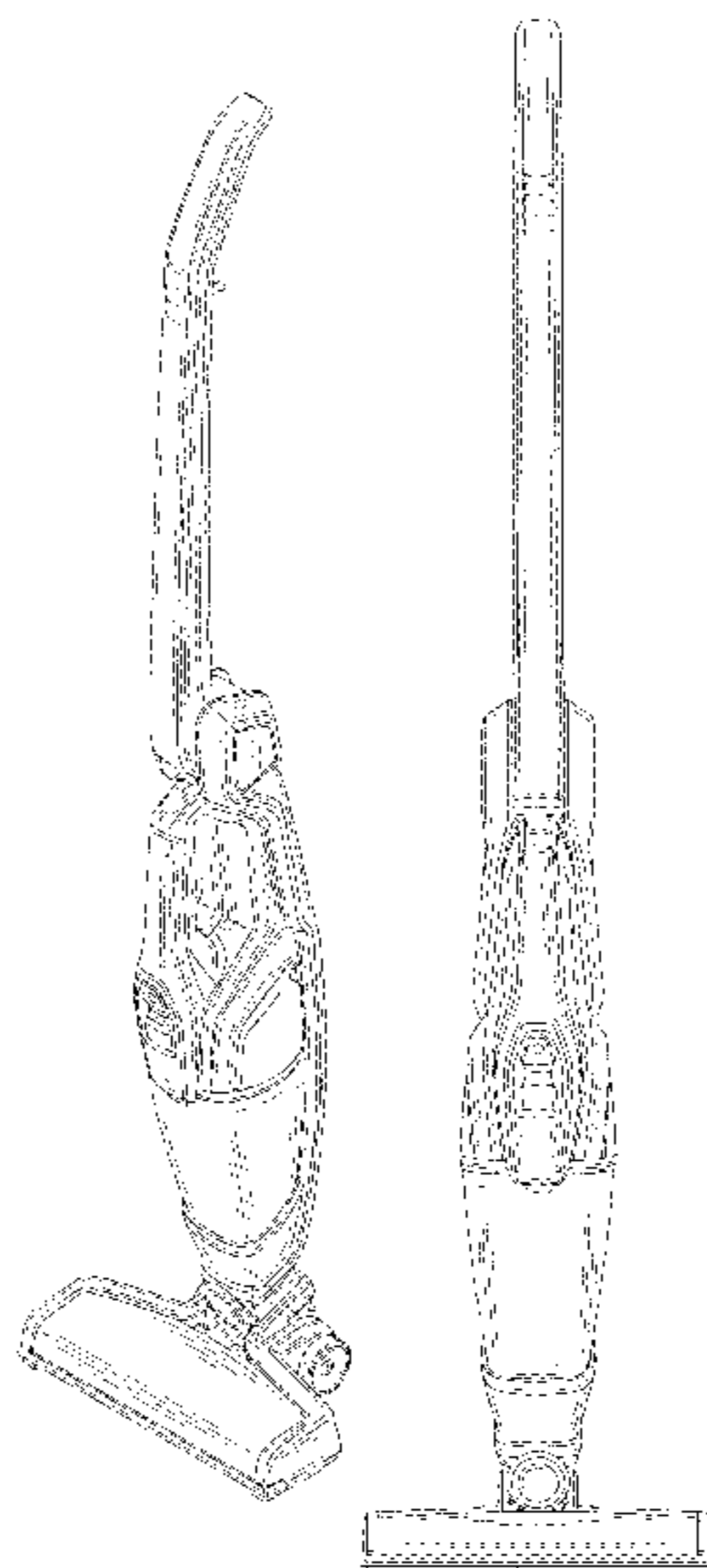
FIG. 1 is a top, front, and right-side perspective view of an upright vacuum cleaner showing our new design; FIG. 2 is a front view thereof; FIG. 3 is a right side view thereof; FIG. 4 is a left side view thereof; and, FIG. 5 is a top view thereof. The broken lines illustrate portions of the upright vacuum cleaner that form no part of the claimed design.

1 Claim, 4 Drawing Sheets

(56) **References Cited**

U.S. PATENT DOCUMENTS

D301,649 S *	6/1989	Yamamoto	D32/22
D307,656 S *	5/1990	Yuen	D32/22
D421,671 S *	3/2000	Thomas	D32/18
D743,124 S *	11/2015	Gray	D32/22
D796,129 S *	8/2017	Jang	D32/22
10,201,259 B2 *	2/2019	Wang	A47L 5/14
D869,798 S *	12/2019	Zhou	D32/22
10,548,441 B2 *	2/2020	Wang	A47L 9/102
10,624,509 B2 *	4/2020	Wang	A47L 9/08



(56)

References Cited

U.S. PATENT DOCUMENTS

2018/0333019 A1* 11/2018 Wang A47L 5/24
2019/0365178 A1* 12/2019 Khalil A47L 5/225

OTHER PUBLICATIONS

Vacuum Cleaner, Bissell Cordless Vacuum, announced 2020 [online], [site visited Oct. 1, 2020], Available from the internet URL: [tps://www.bissell.com/bolt-ion-xrt-2-in-1-cordless-vacuum-252v-1311.html](https://www.bissell.com/bolt-ion-xrt-2-in-1-cordless-vacuum-252v-1311.html) (Year: 2020).*

Vacuum Cleaner, Cordless Wireless Handheld Vacuum, announced 2020 [online], [site visited Oct. 1, 2020], Available from the internet URL: https://www.alibaba.com/product-detail/High-Quality-Home-Household-Electric-Cordless_62458685039.html?spm=a2700.galleryofferlist.normal_offer.d_title.5f3d24c8mg0d93 (Year: 2020).*

Cordless Vacuum, Stick upright Cyclonic Vacuum, announced 2020 [online], [site visited Oct. 1, 2020], Available from the internet URL: https://www.alibaba.com/product-detail/Cordless-rechargeable-Stick-Upright-Cyclonic-Wet_60250314325.html?spm=a2700.galleryofferlist.normal_offer.d_title.5f3d24c8mg0d93 (Year: 2020).*

* cited by examiner

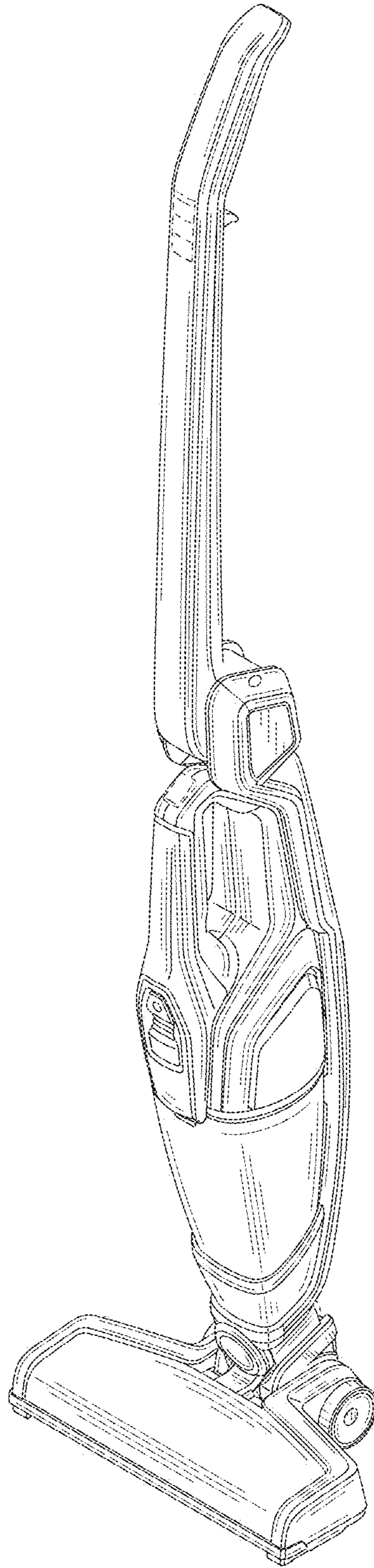


FIG. 1

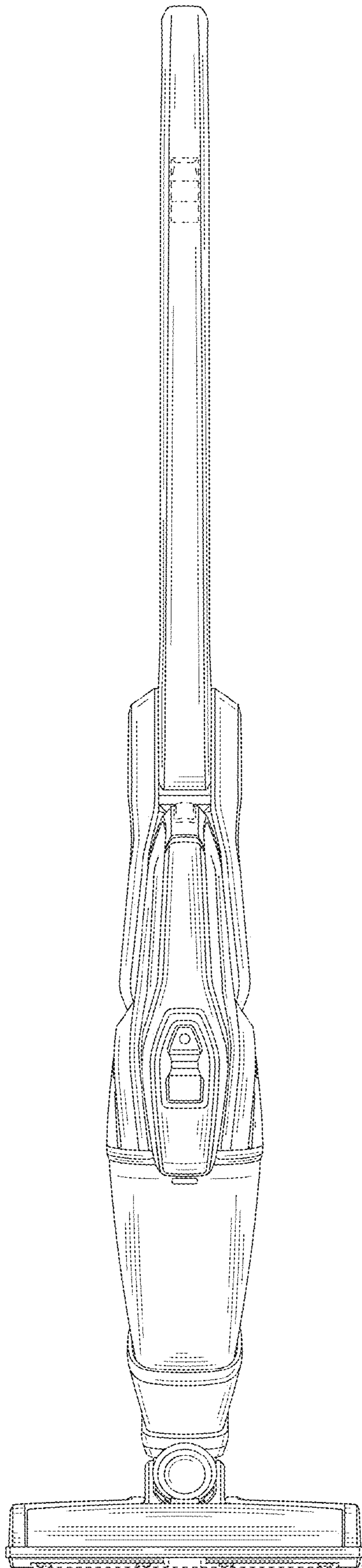


FIG.2

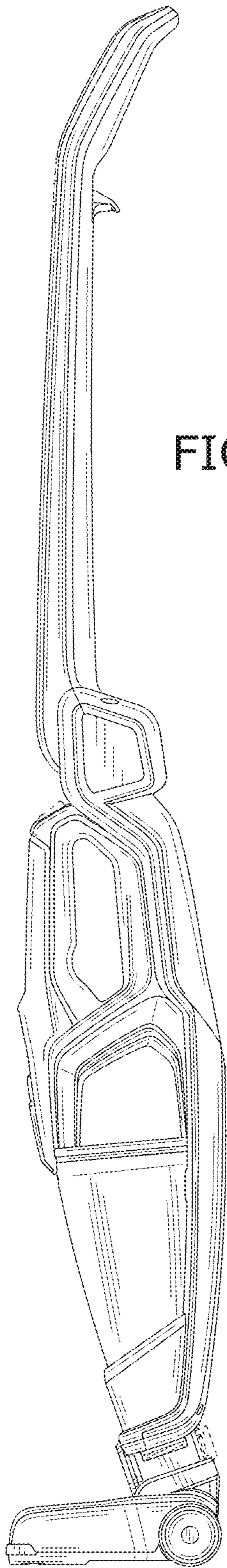


FIG. 3

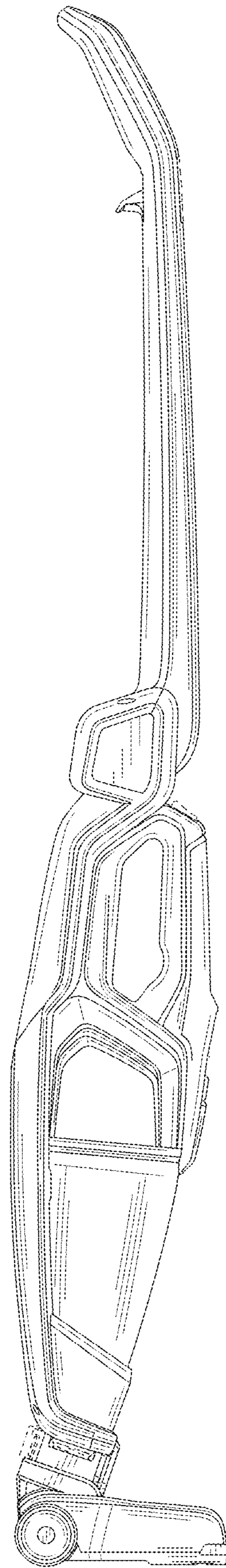


FIG. 4

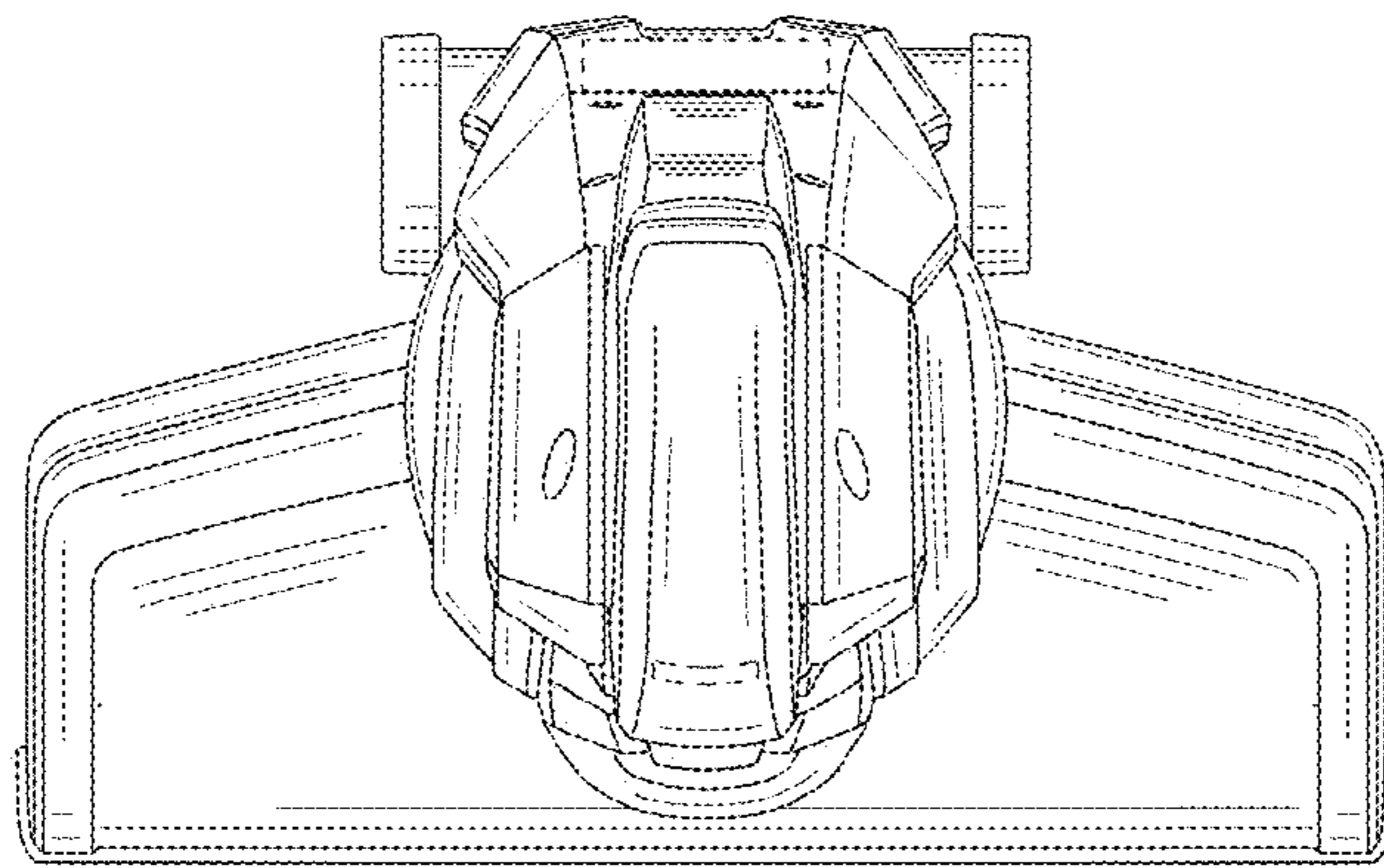


FIG. 5