



US00D930926S

(12) **United States Design Patent**
Wrobleski

(10) **Patent No.:** **US D930,926 S**
(45) **Date of Patent:** **** Sep. 14, 2021**

(54) **VACUUM CLEANER**

(71) Applicant: **BISSELL INC.**, Grand Rapids, MI (US)

(72) Inventor: **Dennis J. Wrobleski**, Lowell, MI (US)

(73) Assignee: **BISSELL Inc.**, Grand Rapids, MI (US)

(**) Term: **15 Years**

(21) Appl. No.: **29/674,900**

(22) Filed: **Dec. 27, 2018**

(51) **LOC (13) Cl.** **15-05**

(52) **U.S. Cl.**
USPC **D32/22**

(58) **Field of Classification Search**

USPC D32/18, 21, 22, 23, 24, 31; D8/70
CPC A47L 2201/024; A47L 5/24; A47L 5/30;
A47L 5/36; A47L 5/225; A47L 5/365;
A47L 9/0036; A47L 9/04; A47L 9/0411;
A47L 9/24; A47L 9/106; A47L 9/1683;
A47L 9/322; A47L 9/325; A47L 9/327;
A47L 9/1608; A47L 7/0004; A47L
7/0095; B23Q 11/0046; B23Q 11/0071;
B25D 16/00

See application file for complete search history.

(56) **References Cited**

U.S. PATENT DOCUMENTS

D759,919 S * 6/2016 Smith D32/31
D790,142 S * 6/2017 Carr D32/31
D824,615 S * 7/2018 Bloemendaal D32/22
D836,866 S * 12/2018 Wrobleski D32/31
D844,267 S * 3/2019 Zhou D32/22
D864,512 S * 10/2019 Wu D32/50
D874,762 S * 2/2020 Tang D32/22
10,791,900 B2 * 10/2020 Tran A47L 9/0494
10,820,769 B2 * 11/2020 Xia A46B 1/00
10,966,586 B2 * 4/2021 Luyckx A47L 11/4027
10,973,383 B1 * 4/2021 Nguyen A47L 9/0477

11,006,796 B2 * 5/2021 Kwon A47L 9/2852
2015/0059123 A1 * 3/2015 Kasper A47L 9/064
15/383
2016/0037987 A1 * 2/2016 Caro A47L 9/04
15/334

(Continued)

FOREIGN PATENT DOCUMENTS

CH 304606804 * 5/2018

OTHER PUBLICATIONS

Vacuum Cleaner, Pet Hair Eraser Turbo Plus Vacuum Cleaner, announced 2020 [online], [site visited [Oct. 1, 2020], Available from internet URL: <https://www.bissell.com/pet-hair-eraser-turbo-plus-vacuum-cleaner-2281.html> (Year: 2020).*

(Continued)

Primary Examiner — Dana K Weiland
Assistant Examiner — Jennylou M Binas
(74) *Attorney, Agent, or Firm* — McGarry Bair PC

(57) **CLAIM**

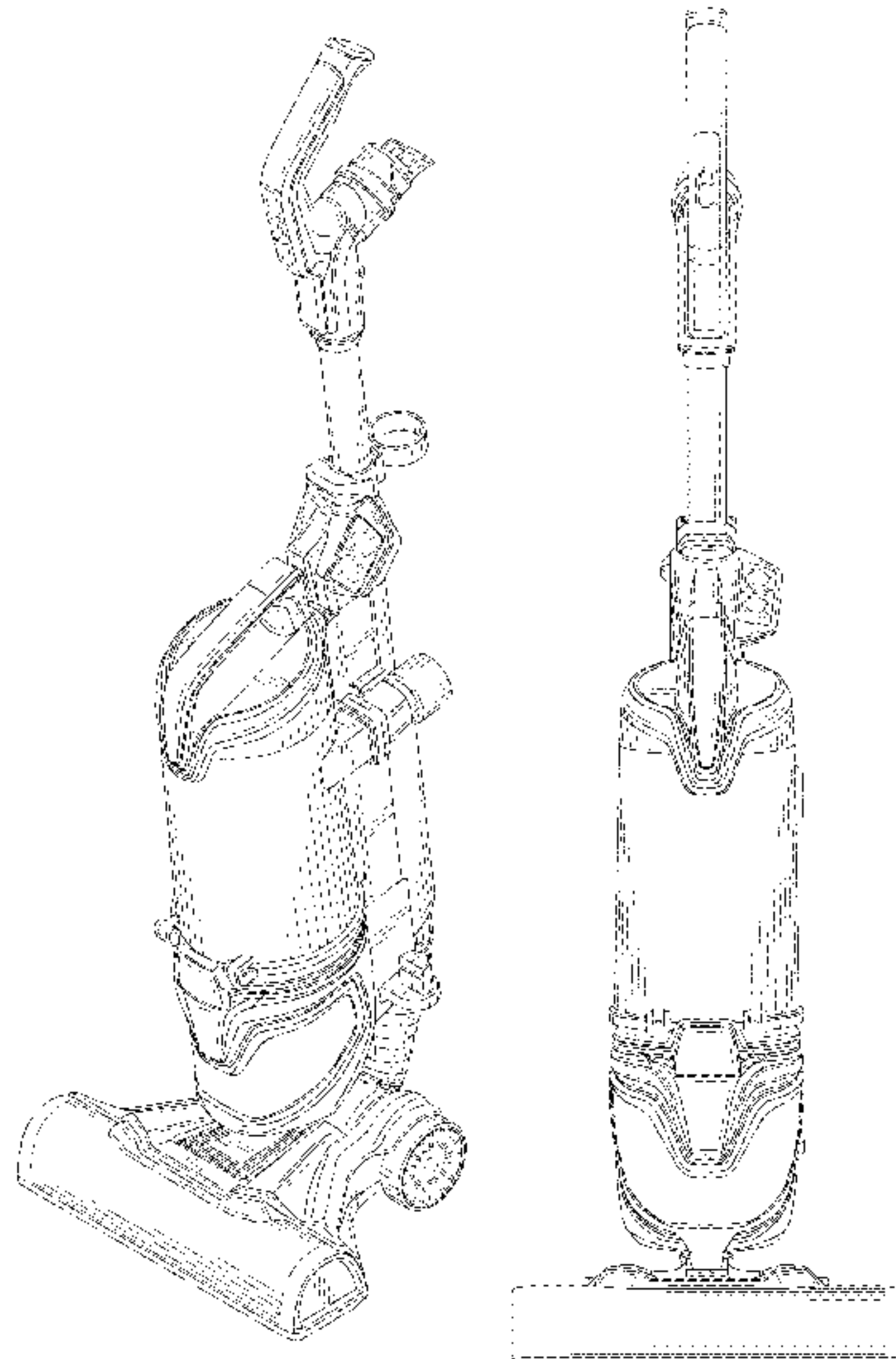
The ornamental design for a vacuum cleaner, as shown and described.

DESCRIPTION

FIG. 1 is a top, front, and right-side perspective view of a vacuum cleaner showing my new design;
FIG. 2 is a front view thereof;
FIG. 3 is a right side view thereof;
FIG. 4 is a left side view thereof;
FIG. 5 is a top view thereof; and,
FIG. 6 is an enlarged left perspective view of the portion of the vacuum cleaner shown within the area designated as 6 in FIG. 4.

The broken lines illustrate portions of the vacuum cleaner that form no part of the claimed design.

1 Claim, 6 Drawing Sheets



(56)

References Cited

U.S. PATENT DOCUMENTS

2018/0177368 A1* 6/2018 Acker A47L 9/165
2019/0059673 A1* 2/2019 Tran A47L 9/0444

OTHER PUBLICATIONS

Vacuum Cleaner, customer review oldest date Aug. 2020 [online],
site visited [Oct. 1, 2020], Available from internet URL: https://www.amazon.com/BISSELL-MultiClean-Allergen-Upright-2999/dp/B08DZQWQLQ/ref=sr_1_2?dchild=1&keywords=vacuum+multiclean-allergen-pet&qid=1602259150&sr=8-2 (Year: 2020).*

* cited by examiner

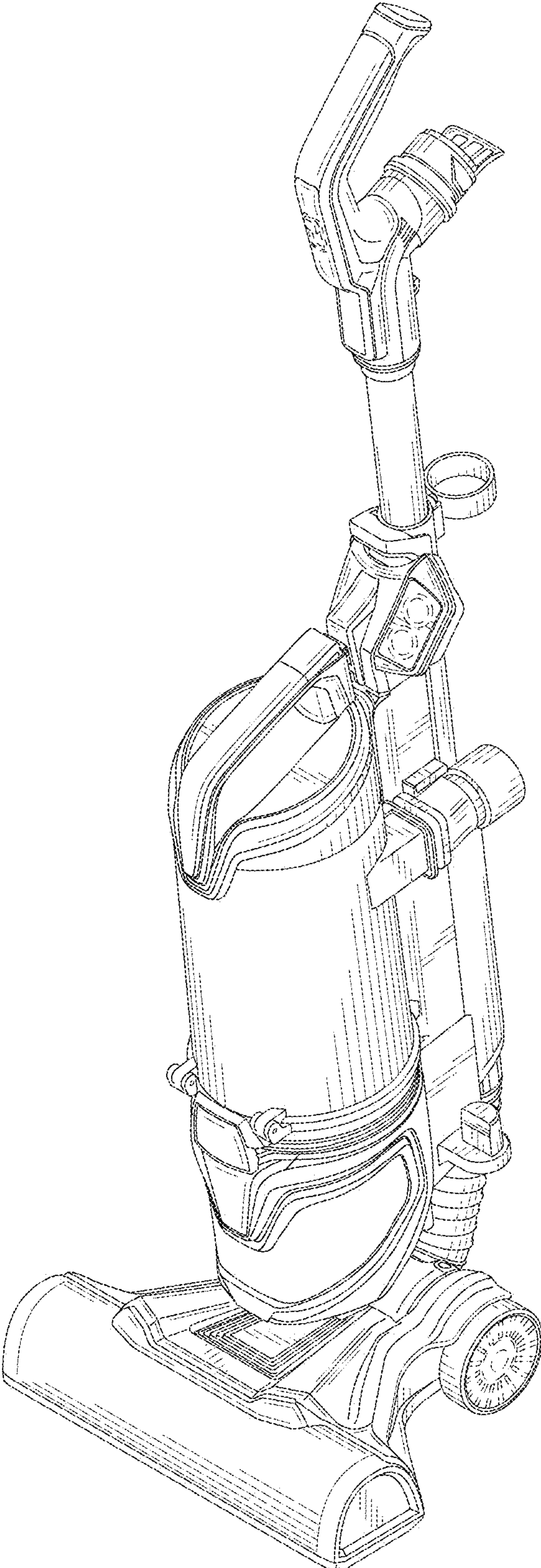


FIG. 1

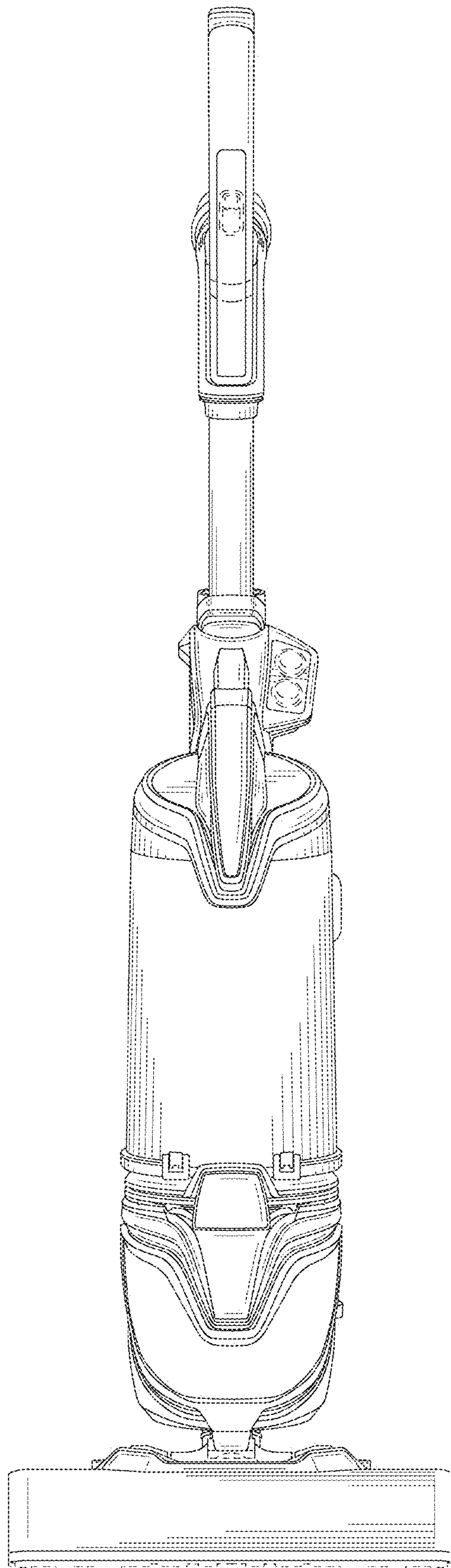


FIG.2

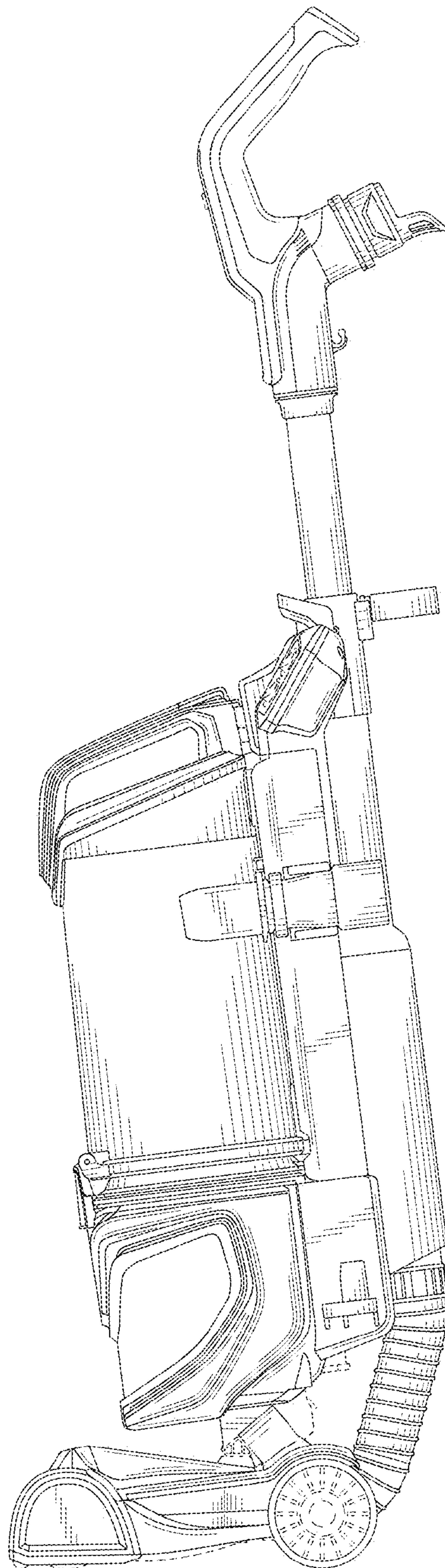


FIG.3

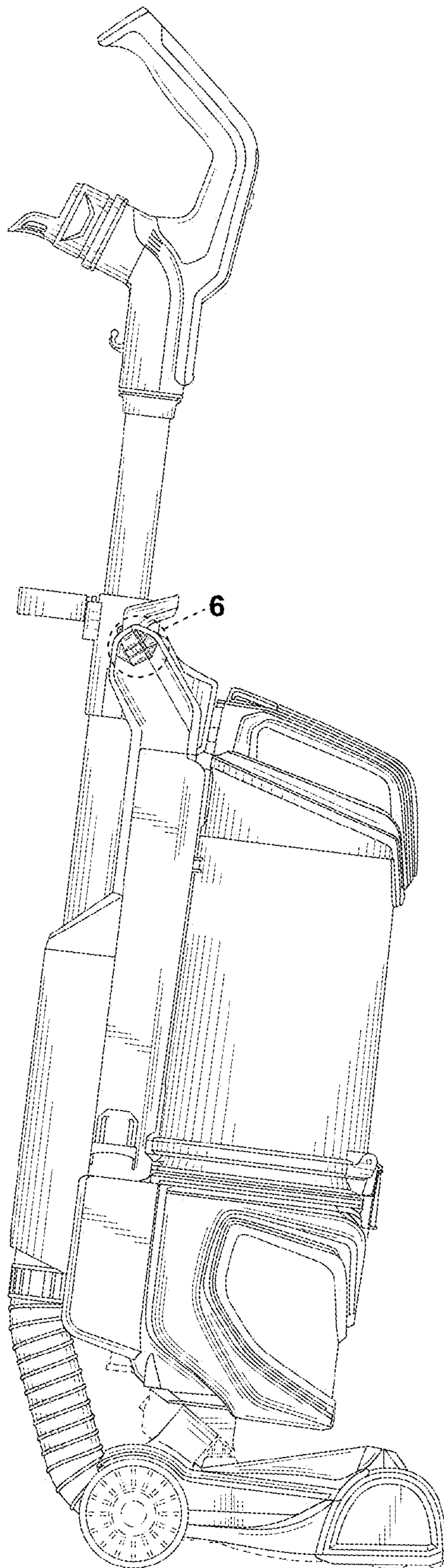


FIG.4

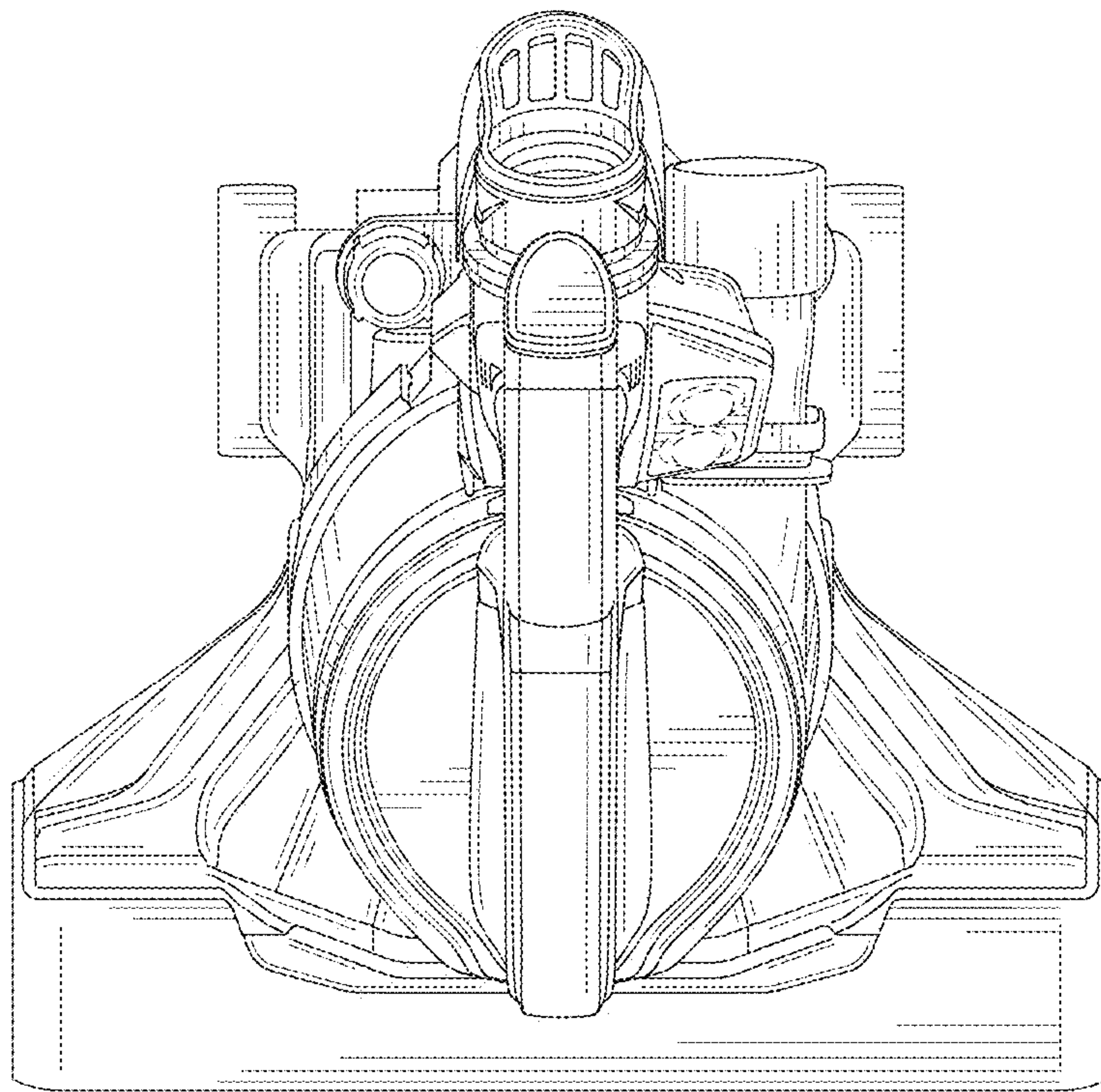


FIG. 5

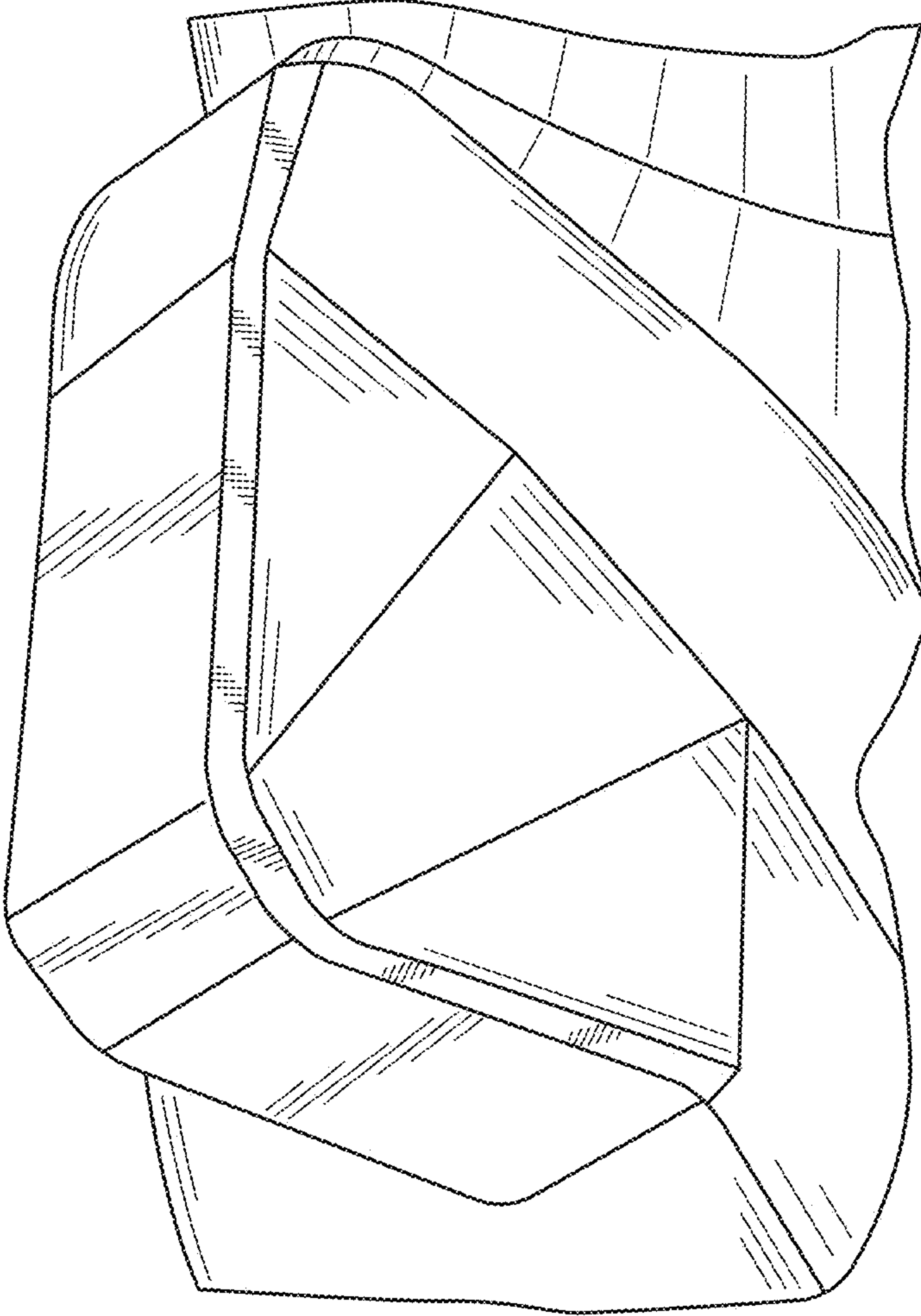


FIG. 6