

US00D930924S

(12) **United States Design Patent** (10) **Patent No.:** **US D930,924 S**  
**Verstraeten** (45) **Date of Patent:** **\*\* Sep. 14, 2021**

(54) **HIGH PRESSURE BUNDLE CLEANER**

FOREIGN PATENT DOCUMENTS

(71) Applicant: **Peinemann Equipment B.V.**,  
Hoogvliet-Rotterdam (NL)

FR 2955651 A1 7/2011  
GB 2320076 A 6/1998  
WO 0111303 A1 2/2001

(72) Inventor: **Paul Verstraeten**, Hoogvliet-Rotterdam  
(NL)

OTHER PUBLICATIONS

(73) Assignee: **Peinemann Equipment B.V.**,  
Hoogvliet-Rotterdam (NL)

Hammelmann, "1-Lance Tube Cleaner" (dated Feb. 2018) available  
at [www.hammelmann.defen/produkte/anwendungstechnik/rohrbuendelreinigung/manuelles-reinigungsgeraet.php](http://www.hammelmann.defen/produkte/anwendungstechnik/rohrbuendelreinigung/manuelles-reinigungsgeraet.php).

(\*\*) Term: **15 Years**

(Continued)

(21) Appl. No.: **29/653,186**

*Primary Examiner* — Michelle E. Wilson

(22) Filed: **Jun. 13, 2018**

(74) *Attorney, Agent, or Firm* — Hovey Williams LLP

(30) **Foreign Application Priority Data**

(57) **CLAIM**

Dec. 13, 2017 (EM) ..... 004547099

The ornamental design for a high pressure bundle cleaner, as  
shown and described.

(51) **LOC (13) Cl.** ..... **15-05**

(52) **U.S. Cl.**  
USPC ..... **D32/15**

**DESCRIPTION**

(58) **Field of Classification Search**  
USPC ..... D32/14, 15; D4/102, 121, 128, 131;  
D8/70

CPC ..... F28G 9/005; F28G 1/16; B08B 9/053  
See application file for complete search history.

FIG. 1 is a front perspective of a high pressure bundle cleaner embodying my design;  
FIG. 2 is a rear perspective of the high pressure bundle cleaner shown in FIG. 1;  
FIG. 3 is a bottom perspective of the high pressure bundle cleaner shown in FIGS. 1 and 2;  
FIG. 4 is a front elevation of the high pressure bundle cleaner shown in FIGS. 1-3;  
FIG. 5 is a left side elevation of the high pressure bundle cleaner shown in FIGS. 1-4;  
FIG. 6 is a right side elevation of the high pressure bundle cleaner shown in FIGS. 1-5;  
FIG. 7 is a rear elevation of the high pressure bundle cleaner shown in FIGS. 1-6;  
FIG. 8 is a top view of the high pressure bundle cleaner shown in FIGS. 1-7; and,  
FIG. 9 is a bottom view of the high pressure bundle cleaner shown in FIGS. 1-8.

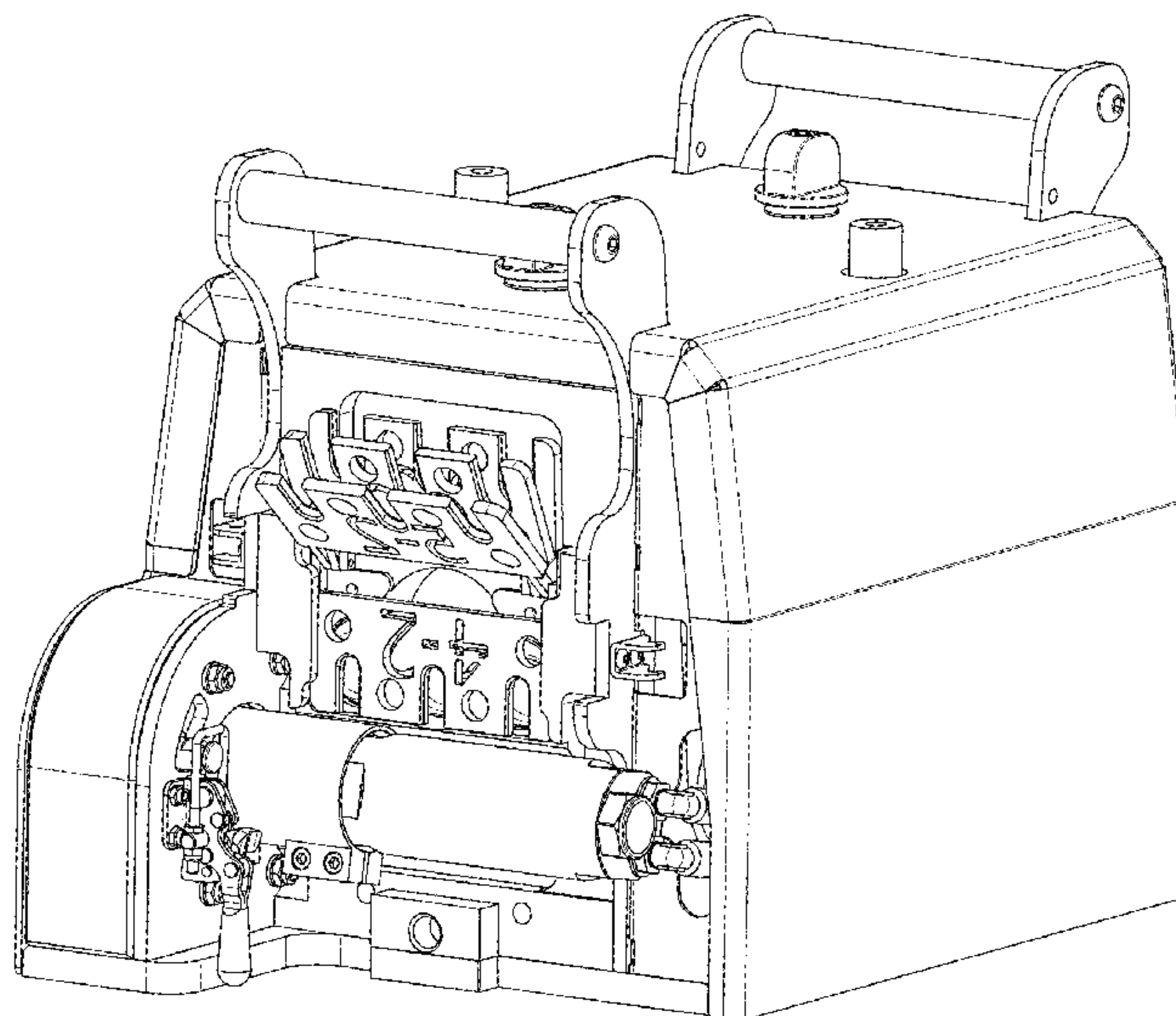
(56) **References Cited**

U.S. PATENT DOCUMENTS

D181,537 S \* 11/1957 Kollman ..... D32/14  
D187,366 S \* 3/1960 Kollman ..... D32/14  
D188,934 S \* 10/1960 O'Brien ..... D32/14  
D191,978 S \* 12/1961 Kollman ..... D32/14  
3,354,490 A 11/1967 Masters et al.  
4,509,544 A \* 4/1985 Mains, Jr. .... F28G 1/16  
134/144  
4,545,426 A \* 10/1985 Collins ..... B08B 9/053  
165/95  
4,649,987 A \* 3/1987 Frauenfeld ..... F28G 9/005  
165/5

(Continued)

**1 Claim, 9 Drawing Sheets**



(56)

**References Cited**

U.S. PATENT DOCUMENTS

D312,900 S \* 12/1990 Russell ..... D32/14  
D344,162 S \* 2/1994 Kimes ..... D32/14  
D348,961 S \* 7/1994 Kimes ..... D32/14  
D509,929 S \* 9/2005 Rutkowski ..... D32/14  
D910,251 S \* 2/2021 Lan ..... D32/14

OTHER PUBLICATIONS

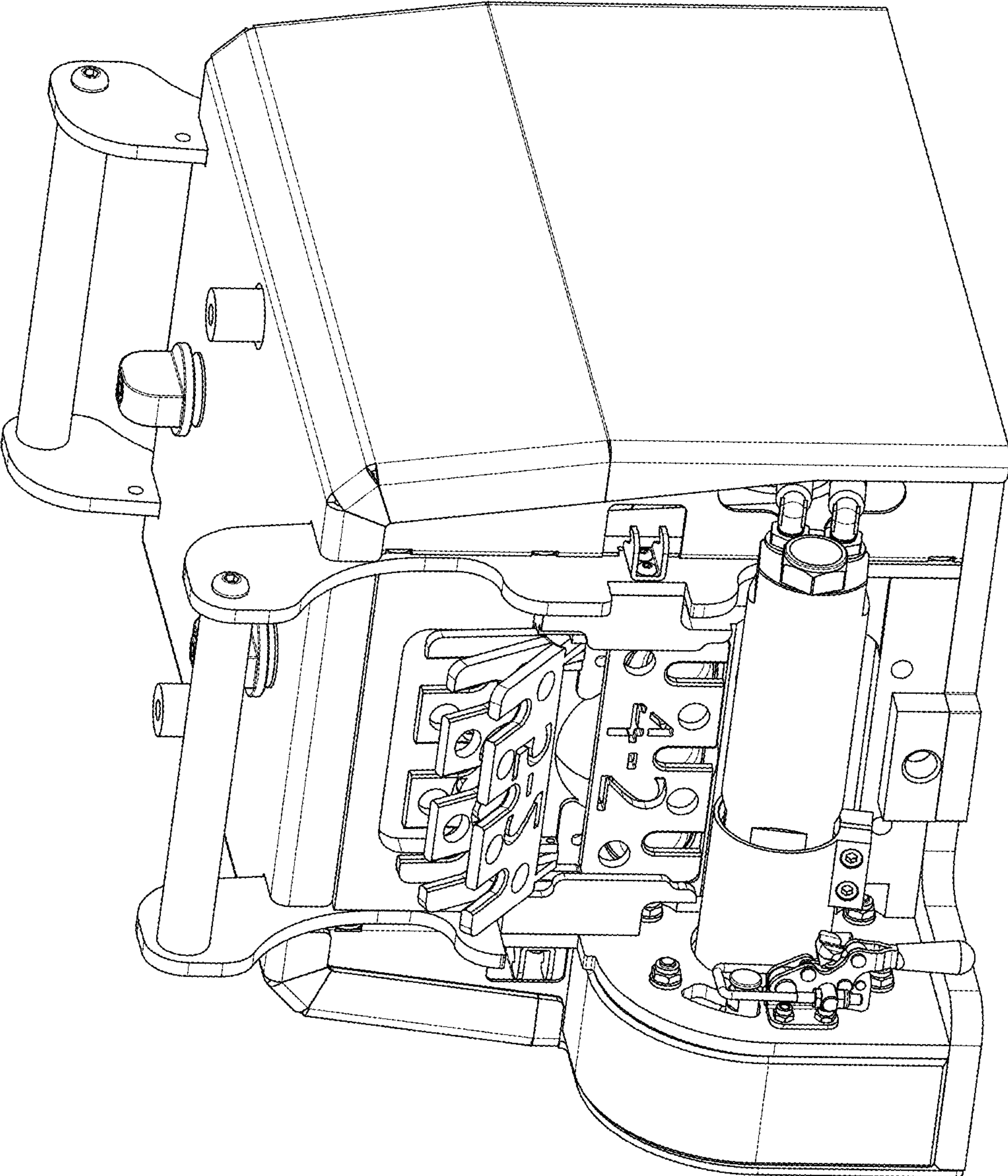
Idrojet, “Internal Bundle Cleaning Robot—Idrobox” (dated Jul. 2018) available at [idrojet.com/product/internal-bundle-cleaning-robot-idrobox/](http://idrojet.com/product/internal-bundle-cleaning-robot-idrobox/).

Peinemann, “Single Lance Tube Cleaner XL (XLTC)” (dated Feb. 2018) available at [www.peinemannequipment.com/products/bundle\\_cleaning/single\\_lance\\_tube\\_cleaner\\_xl/](http://www.peinemannequipment.com/products/bundle_cleaning/single_lance_tube_cleaner_xl/).

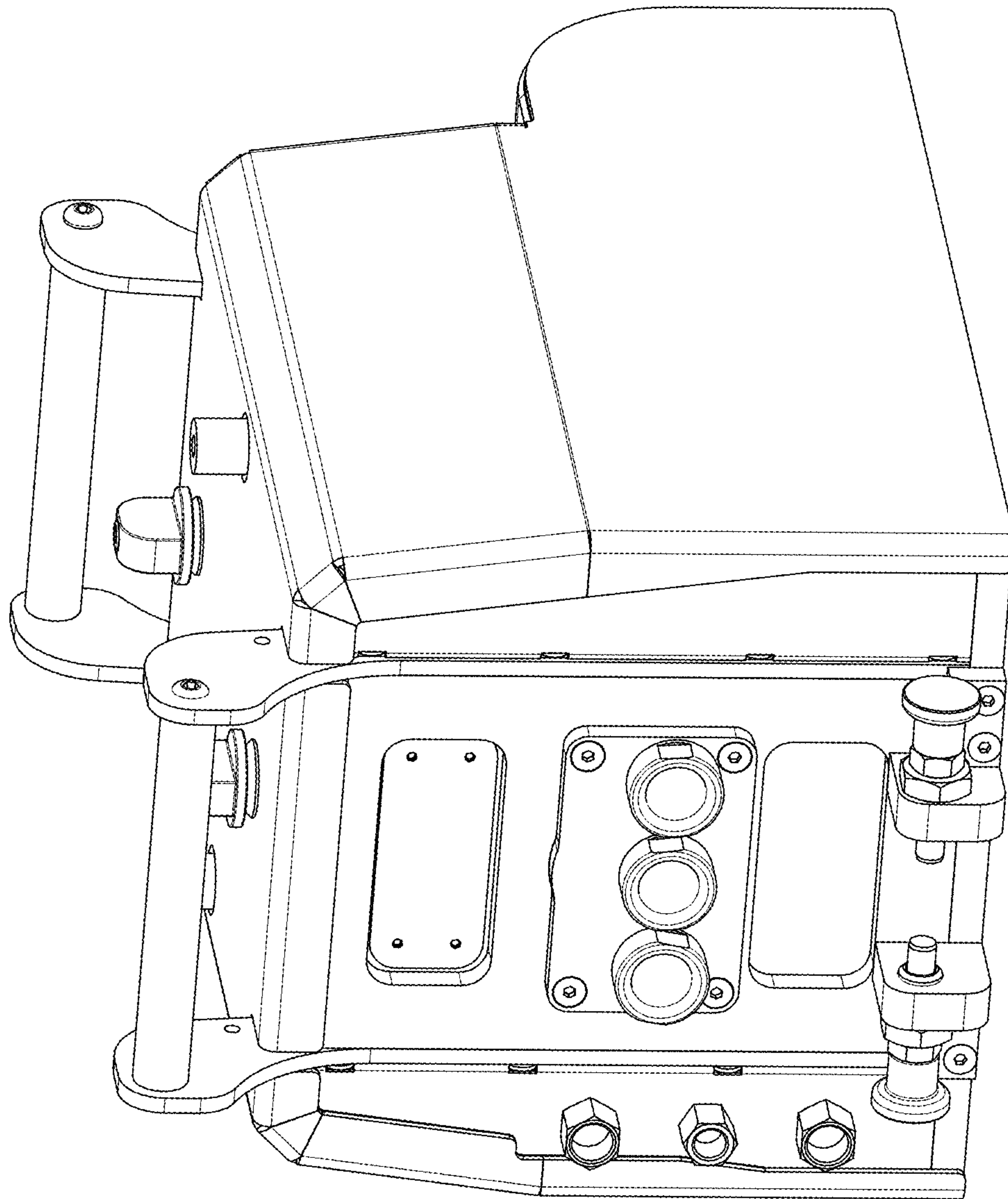
Stone Age, “Autobox ABX-3L” (dated Nov. 2017) available at [stoneagetools.com/abx-3l](http://stoneagetools.com/abx-3l); 2018.

Search Report and Written Opinion for Netherlands Application No. NL2018861 (dated Jan. 11, 2018).

\* cited by examiner

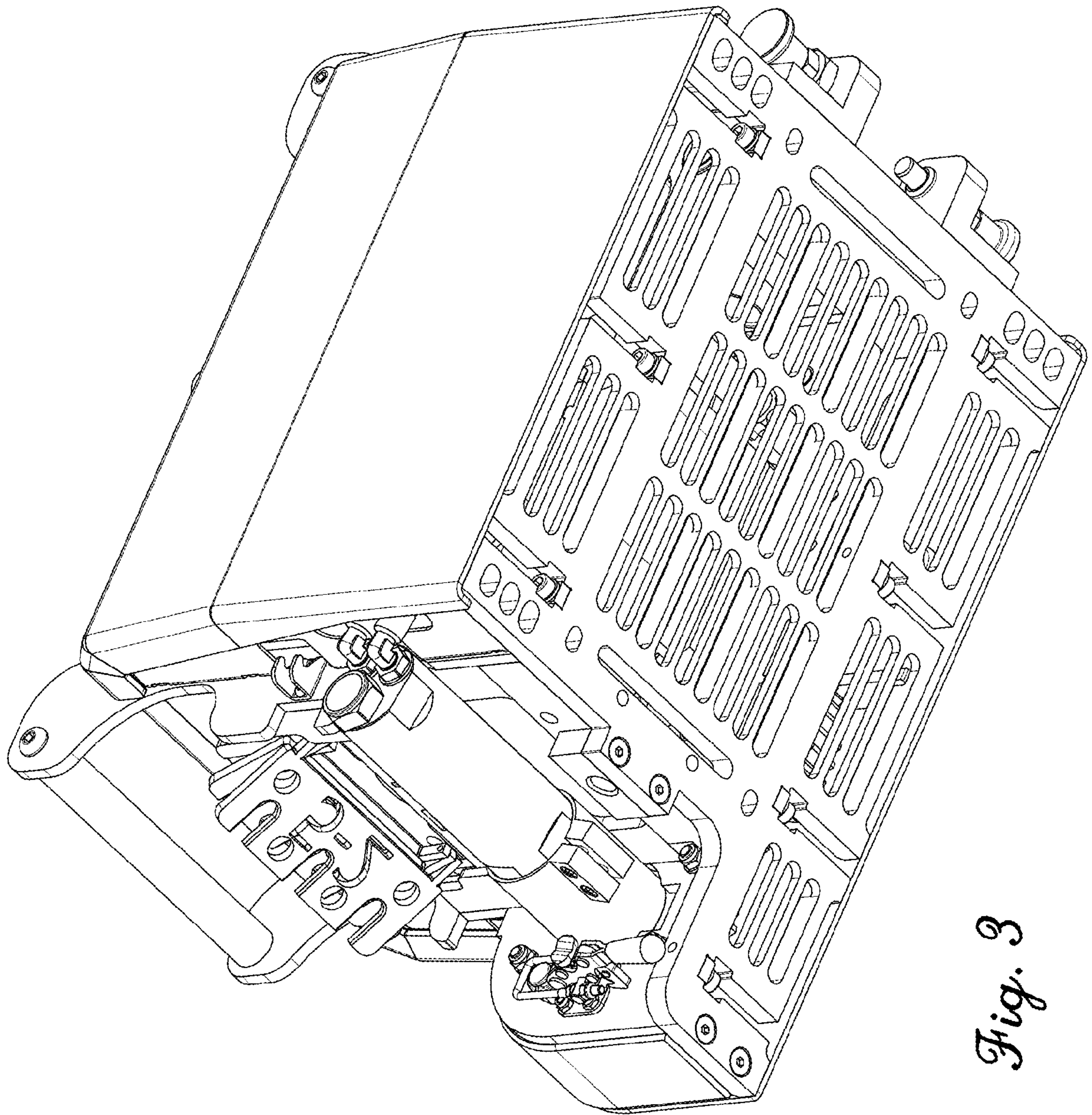


*Fig. 1*

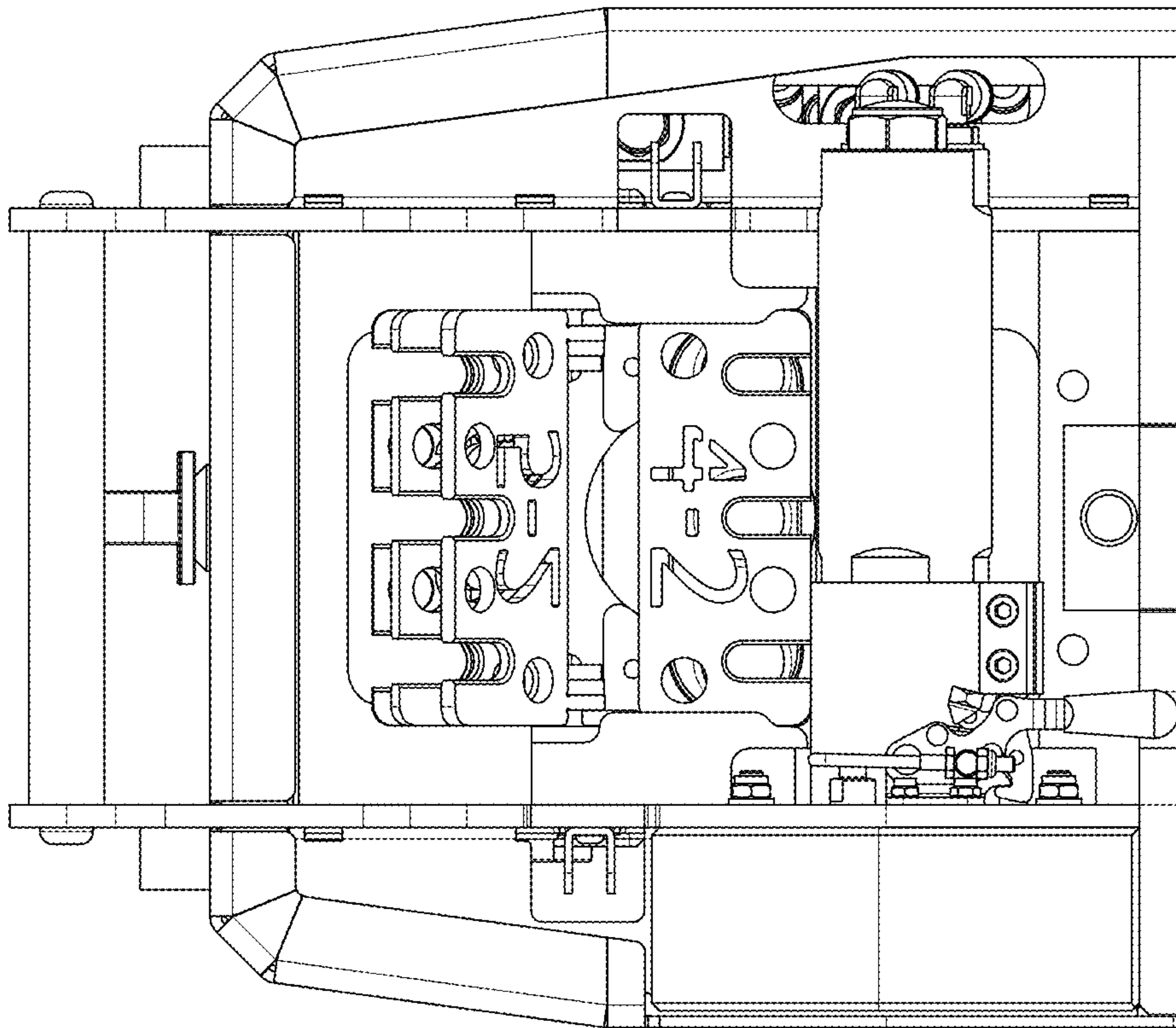


*Fig. 2*

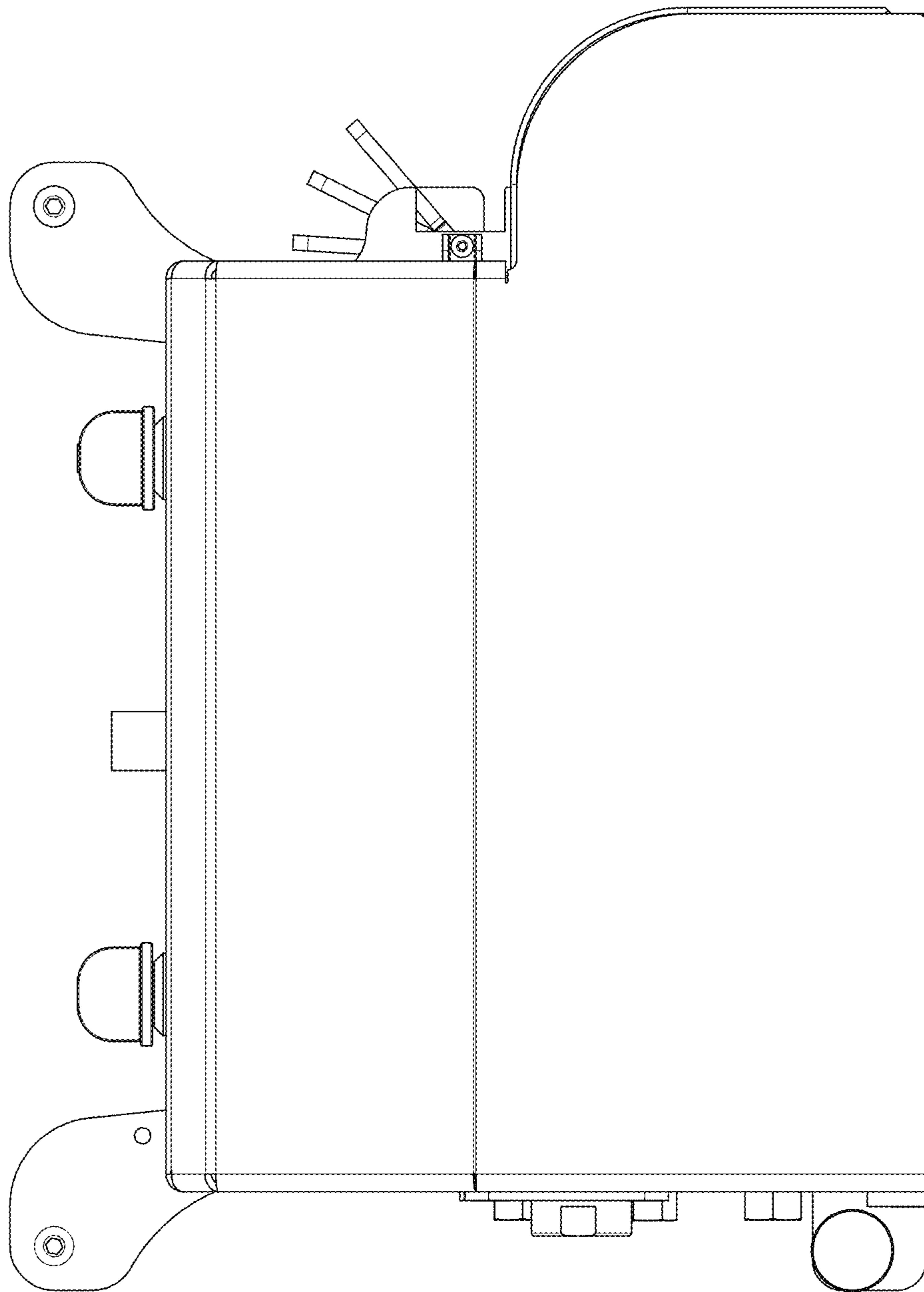




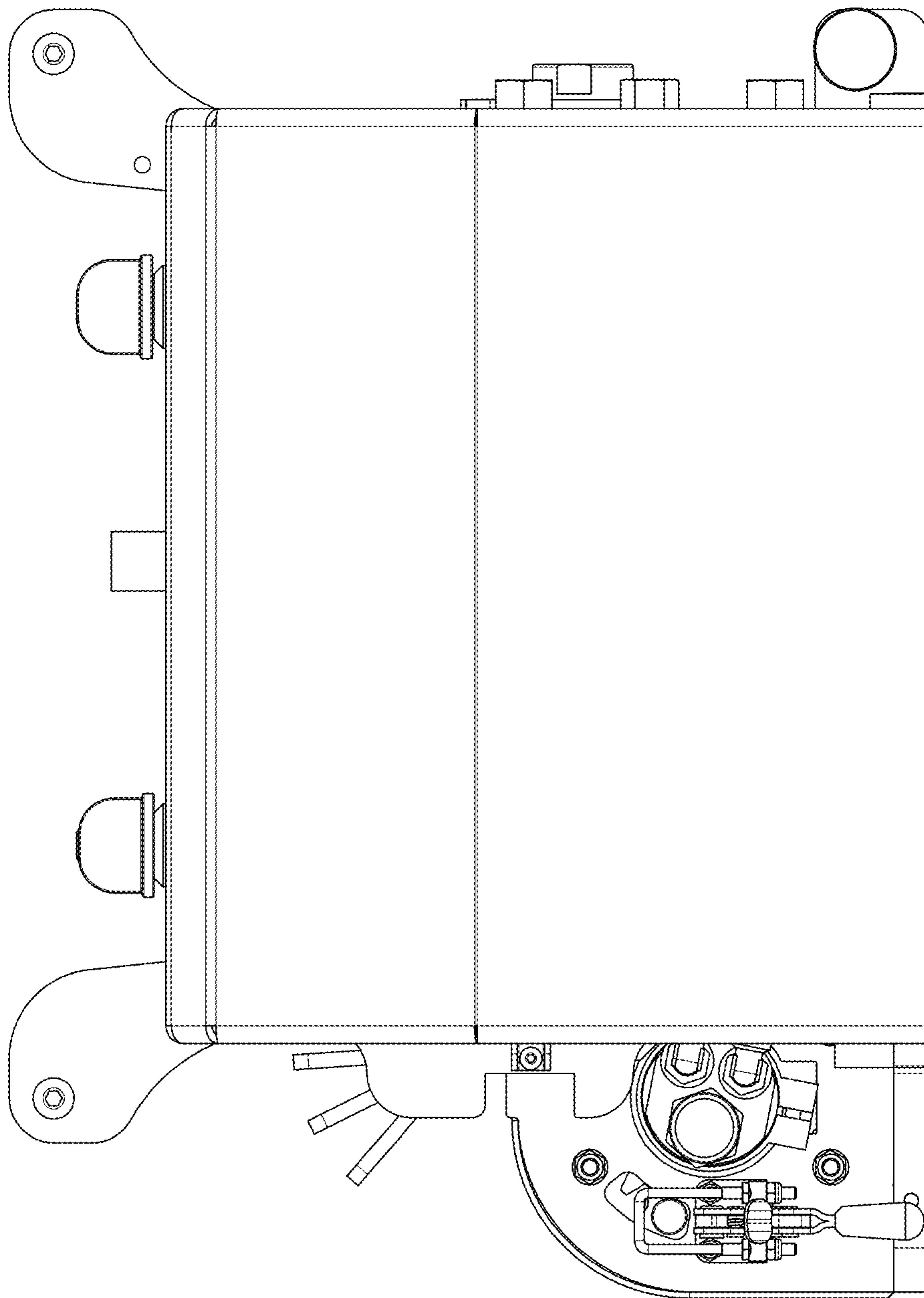
*Fig. 3*



*Fig. 4*

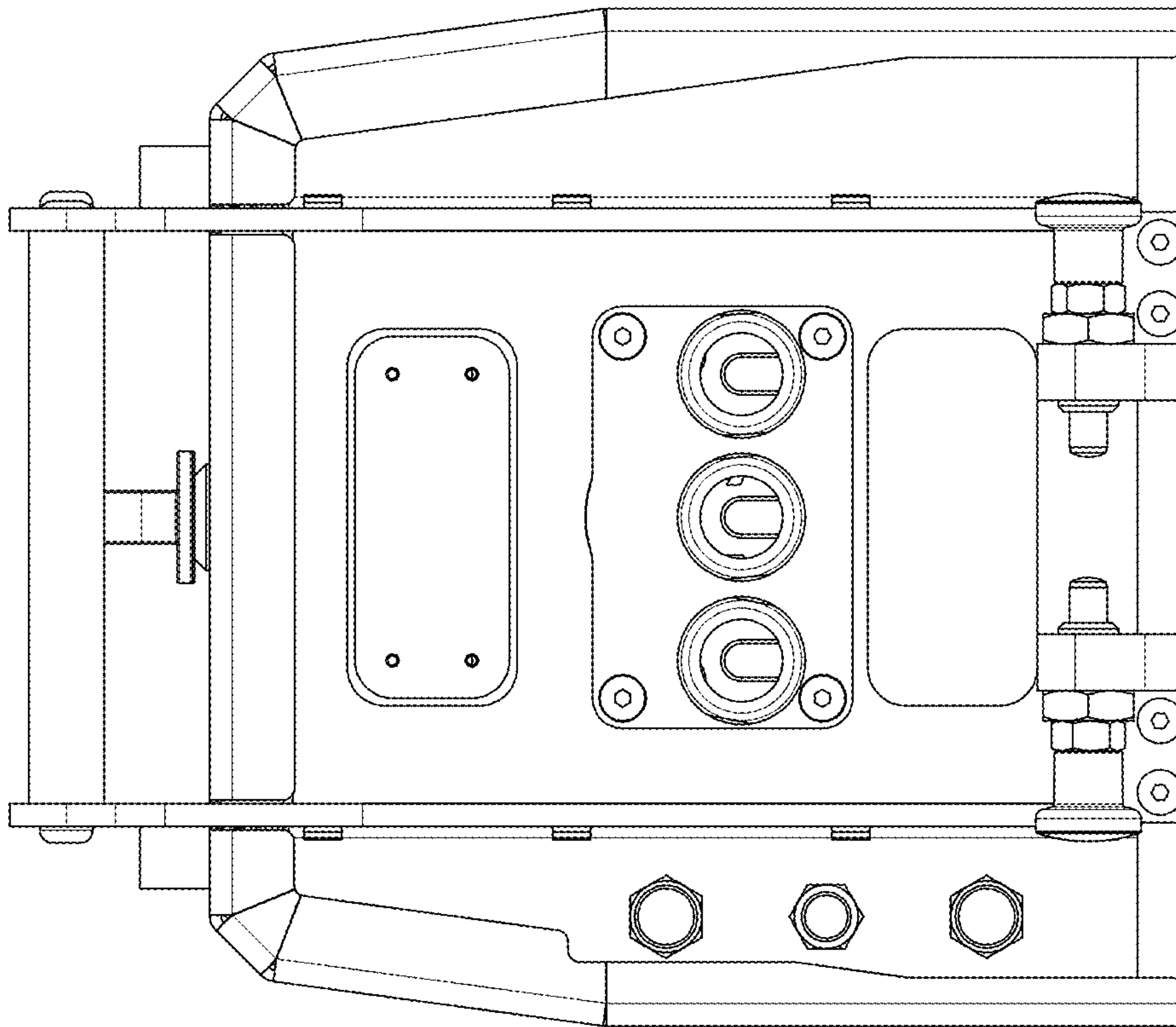


*Fig. 5*

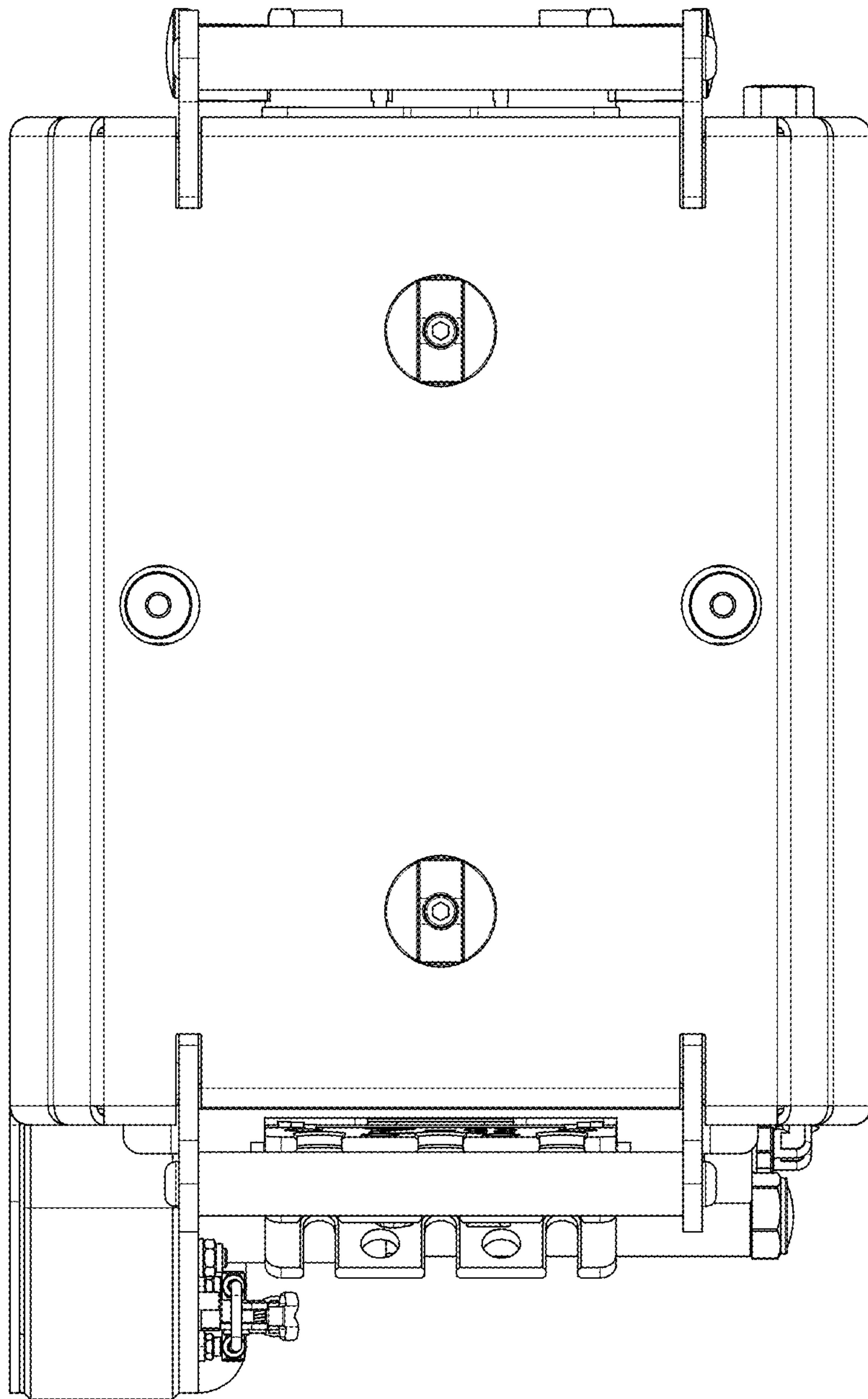


*Fig. 6*

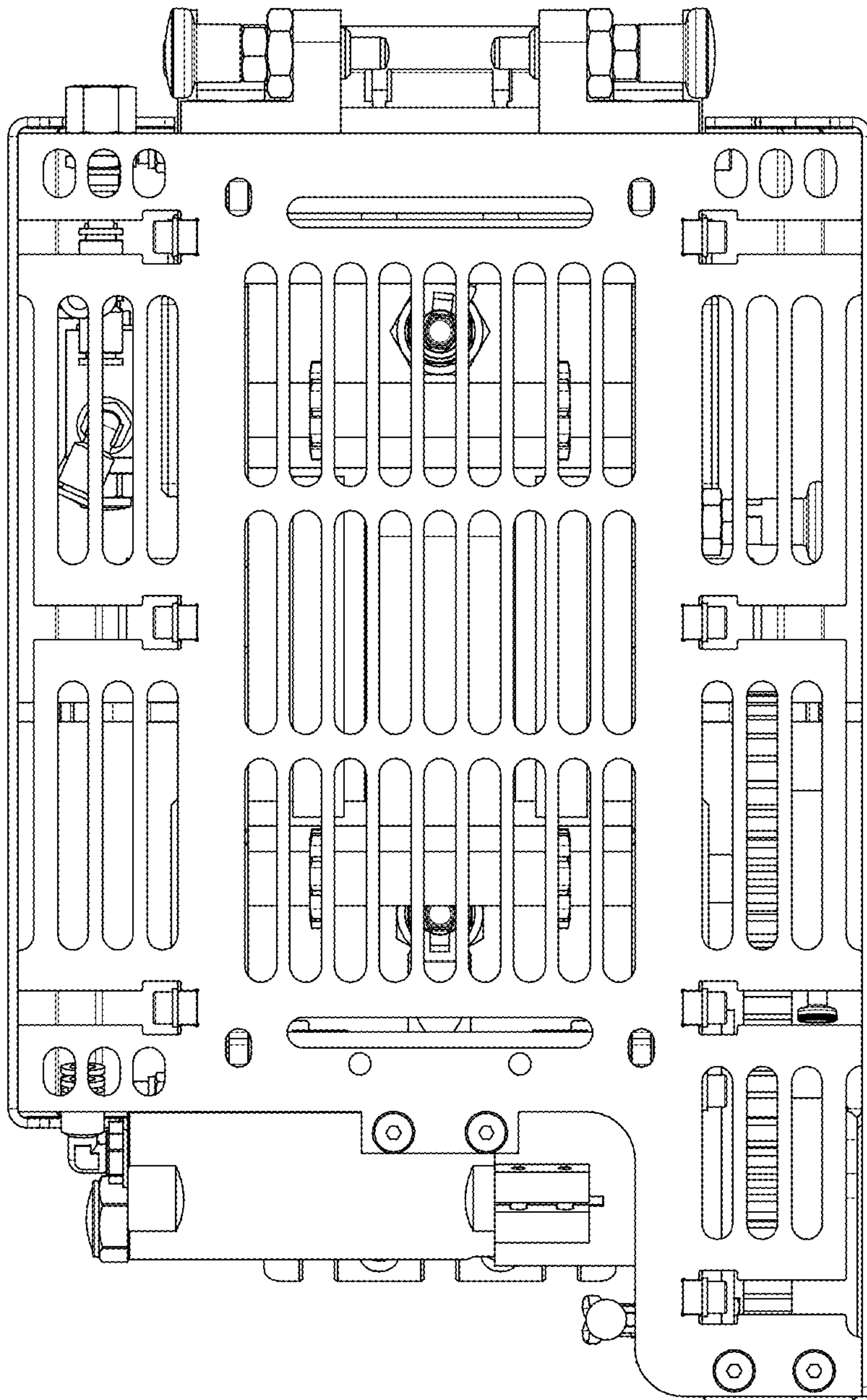




*Fig. 7*



*Fig. 8*



*Fig. 9*