



US00D930923S

(12) **United States Design Patent** (10) **Patent No.:** **US D930,923 S**
Riegner, III et al. (45) **Date of Patent:** **** Sep. 14, 2021**

(54) **BOTTLE WASHING MACHINE**
(71) Applicant: **ALTELLE PTE. LTD.**, Singapore (SG)
(72) Inventors: **Rudolf W. Riegner, III**, San Diego, CA (US); **Jonathan Saphiro Salim**, Singapore (SG); **Jieyu Yong**, Singapore (SG)
(73) Assignee: **ALTELLE PTE. LTD.**, Singapore (SG)
(**) Term: **15 Years**

D229,387 S * 11/1973 Gruber D7/308
D281,137 S * 10/1985 Cesaroni D7/325
4,544,529 A * 10/1985 Hoeck A61L 2/07
422/303
D317,548 S * 6/1991 Yeh D7/354
D325,483 S * 4/1992 Muhlack D6/661.3
5,419,348 A * 5/1995 Kuta B08B 9/32
134/144
D365,882 S * 1/1996 Allegre D24/217
5,487,257 A * 1/1996 Domeier B65B 21/183
53/539
5,645,091 A * 7/1997 Hoeft B08B 3/04
134/84

(Continued)

(21) Appl. No.: **29/706,715**
(22) Filed: **Sep. 23, 2019**

(30) **Foreign Application Priority Data**
Sep. 12, 2019 (EM) 006860839

(51) **LOC (13) Cl.** **15-05**
(52) **U.S. Cl.**
USPC **D32/1**

(58) **Field of Classification Search**
USPC D6/631, 661.3; D7/308, 325, 354, 356,
D7/357; D9/449; D19/85; D24/217;
D30/117, 199; D32/1
CPC B65B 21/183; B08B 9/32; B08B 9/26;
B08B 9/34; B08B 3/04; A47L 15/0068;
A61L 2/07; A47J 27/04; A23L 7/187;
F25D 11/00
See application file for complete search history.

(56) **References Cited**
U.S. PATENT DOCUMENTS
2,011,786 A * 8/1935 Walker B08B 9/26
134/70
D209,837 S * 1/1968 Dash D30/117
3,675,263 A * 7/1972 Durham A47L 15/0068
15/76

OTHER PUBLICATIONS
Momtrends <https://www.momtrends.com/kids/baby-gear-review-baby-brezza-bottle-washer> (Year: 2021).*
(Continued)

Primary Examiner — Michelle E. Wilson
Assistant Examiner — Richard E Yenchesky
(74) *Attorney, Agent, or Firm* — Pearne & Gordon LLP

(57) **CLAIM**
The ornamental design for a bottle washing machine, as shown and described.

DESCRIPTION
FIG. 1 is a perspective view of a bottle washing machine, showing the new design;
FIG. 2 is a front view thereof;
FIG. 3 is a back view thereof;
FIG. 4 is a right side view thereof;
FIG. 5 is a left side view thereof;
FIG. 6 is a top view thereof;
FIG. 7 is a bottom view thereof; and,
FIG. 8 is another perspective view thereof.

1 Claim, 8 Drawing Sheets



(56)

References Cited

U.S. PATENT DOCUMENTS

D417,357 S * 12/1999 Young D6/631
 D442,816 S * 5/2001 Chen D6/631
 D463,712 S * 10/2002 Josancy D7/356
 D487,517 S * 3/2004 Cudworth D24/217
 7,208,702 B2 * 4/2007 Choi A47J 27/04
 126/369
 D544,293 S * 6/2007 Chan D7/354
 D545,614 S * 7/2007 Kim D7/357
 D554,762 S * 11/2007 Delaney D24/217
 D569,677 S * 5/2008 Poon D7/357
 7,617,766 B2 * 11/2009 Tracy A47J 27/04
 366/205
 D609,523 S * 2/2010 Mai D7/354
 D615,797 S * 5/2010 Berge D7/325
 D622,093 S * 8/2010 Reiner D7/354
 D625,604 S * 10/2010 Zaslow D9/449
 D638,475 S * 5/2011 Hung D19/85
 D655,566 S * 3/2012 Sapire D7/354
 8,127,565 B1 * 3/2012 Lange F25D 11/00
 62/246

D668,098 S * 10/2012 Sapire D7/354
 D704,350 S * 5/2014 Lau D24/217
 D715,089 S * 10/2014 Jozancy D7/354
 D722,465 S * 2/2015 Berge D7/325
 D723,320 S * 3/2015 Rooney D7/325
 D779,137 S * 2/2017 Taylor D32/1
 9,655,378 B2 * 5/2017 Rooney A23L 7/187
 D788,516 S * 6/2017 Jozancy D7/354
 D789,730 S * 6/2017 Jozancy D7/354
 D814,127 S * 3/2018 Bae D30/199
 D906,035 S * 12/2020 Dash D7/357
 2014/0290705 A1 * 10/2014 Quimpo B08B 9/34
 134/99.2

OTHER PUBLICATIONS

Baby Brezza <https://www.popsugar.com/family/photo-gallery/42497505/image/42643909/Baby-Brezza-Bottle-Washer> (Year: 2016).*
 U.S. Appl. No. 17/235,295 (Year: 2021).*
 U.S. Appl. No. 16/015,110 (Year: 2020).*

* cited by examiner



FIG. 1

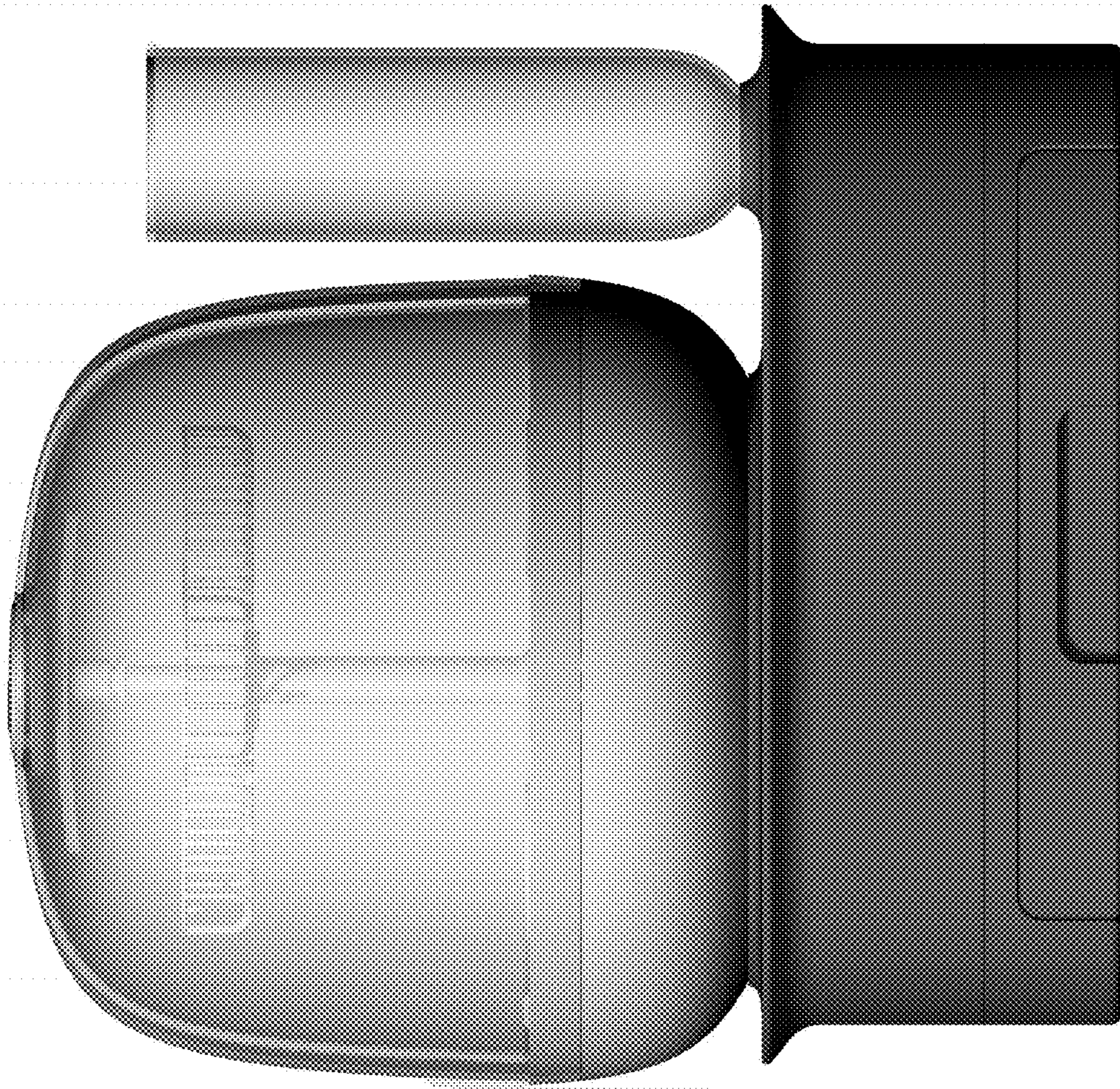


FIG. 2

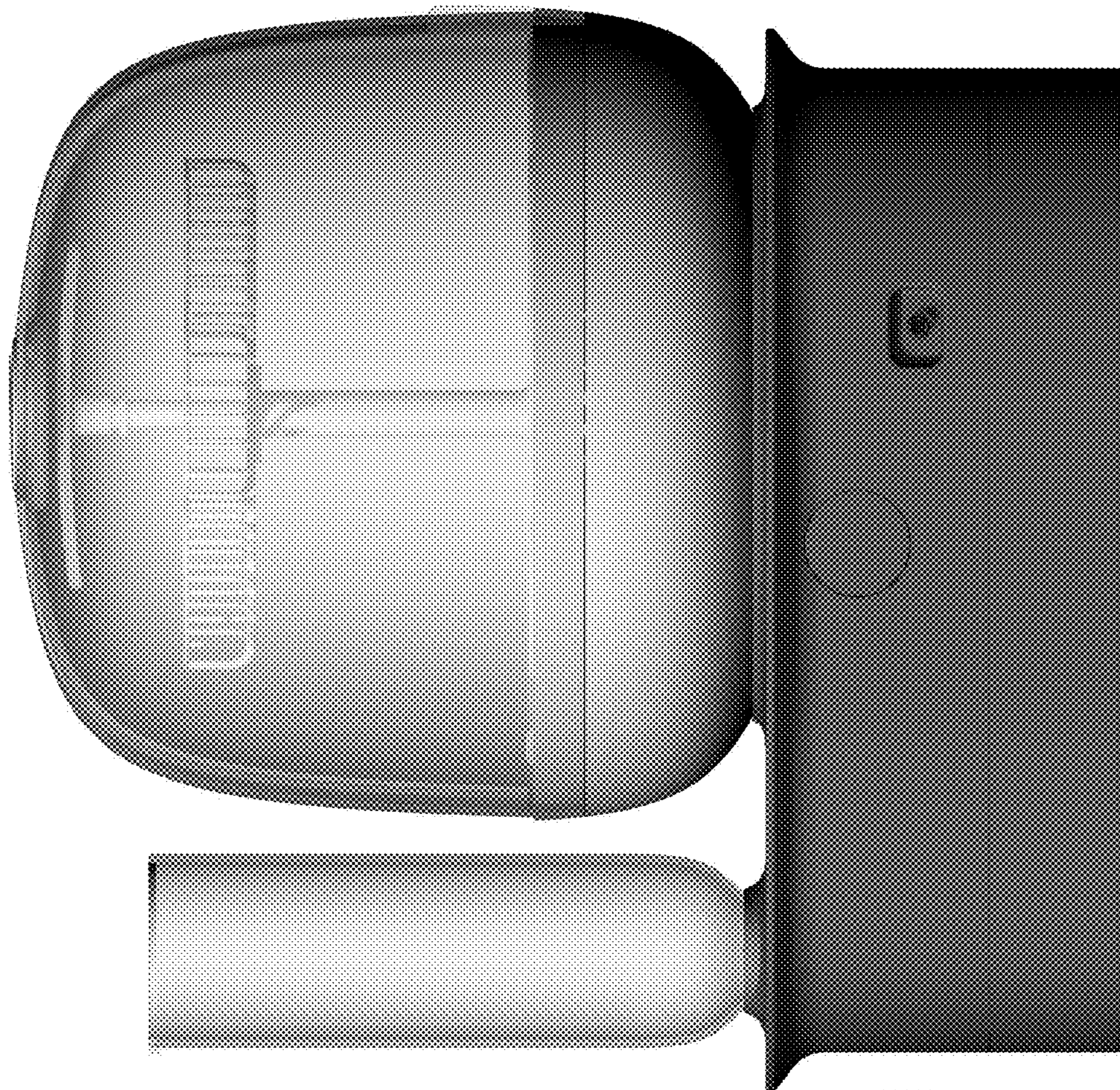


FIG. 3

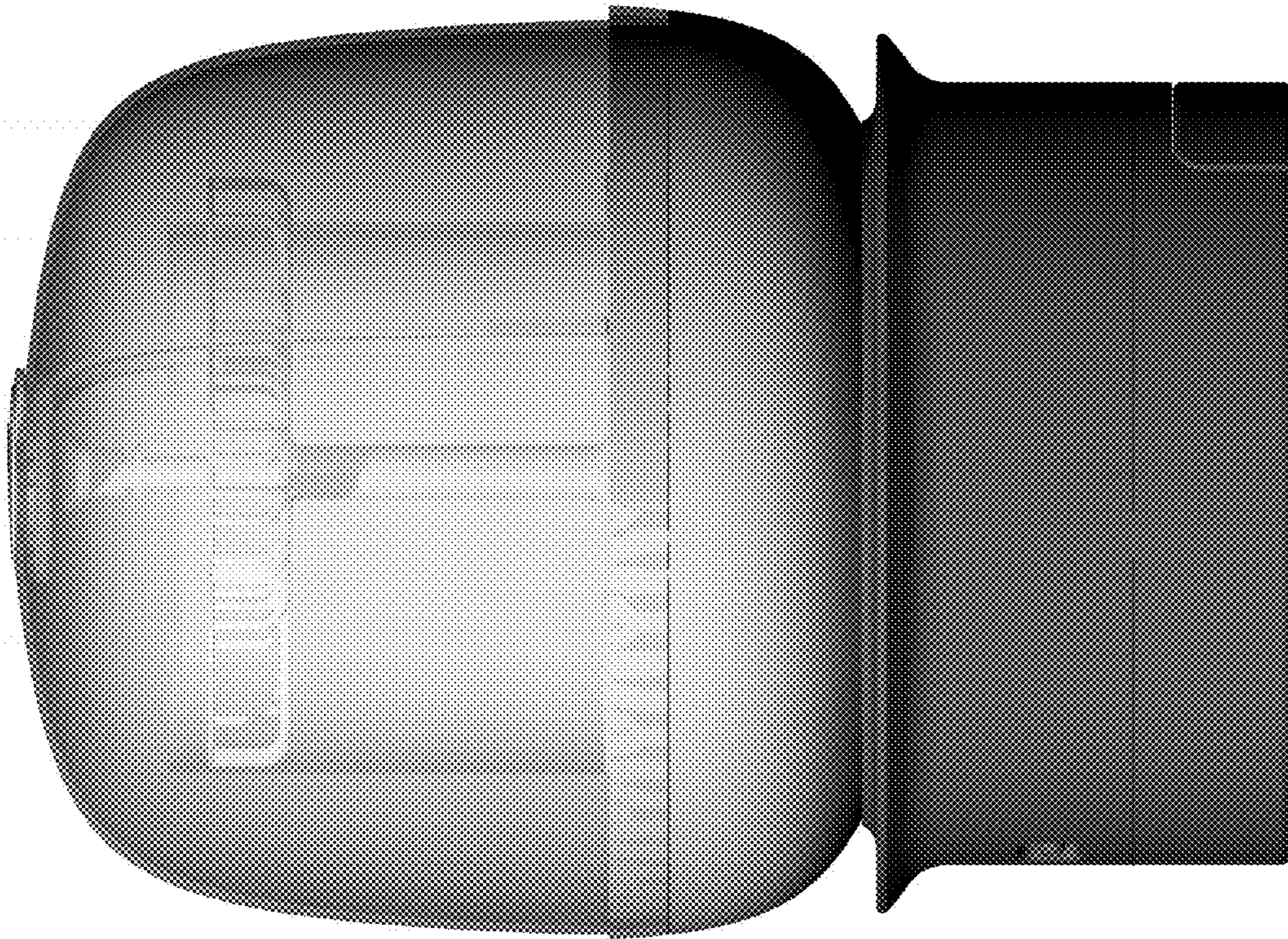


FIG 4

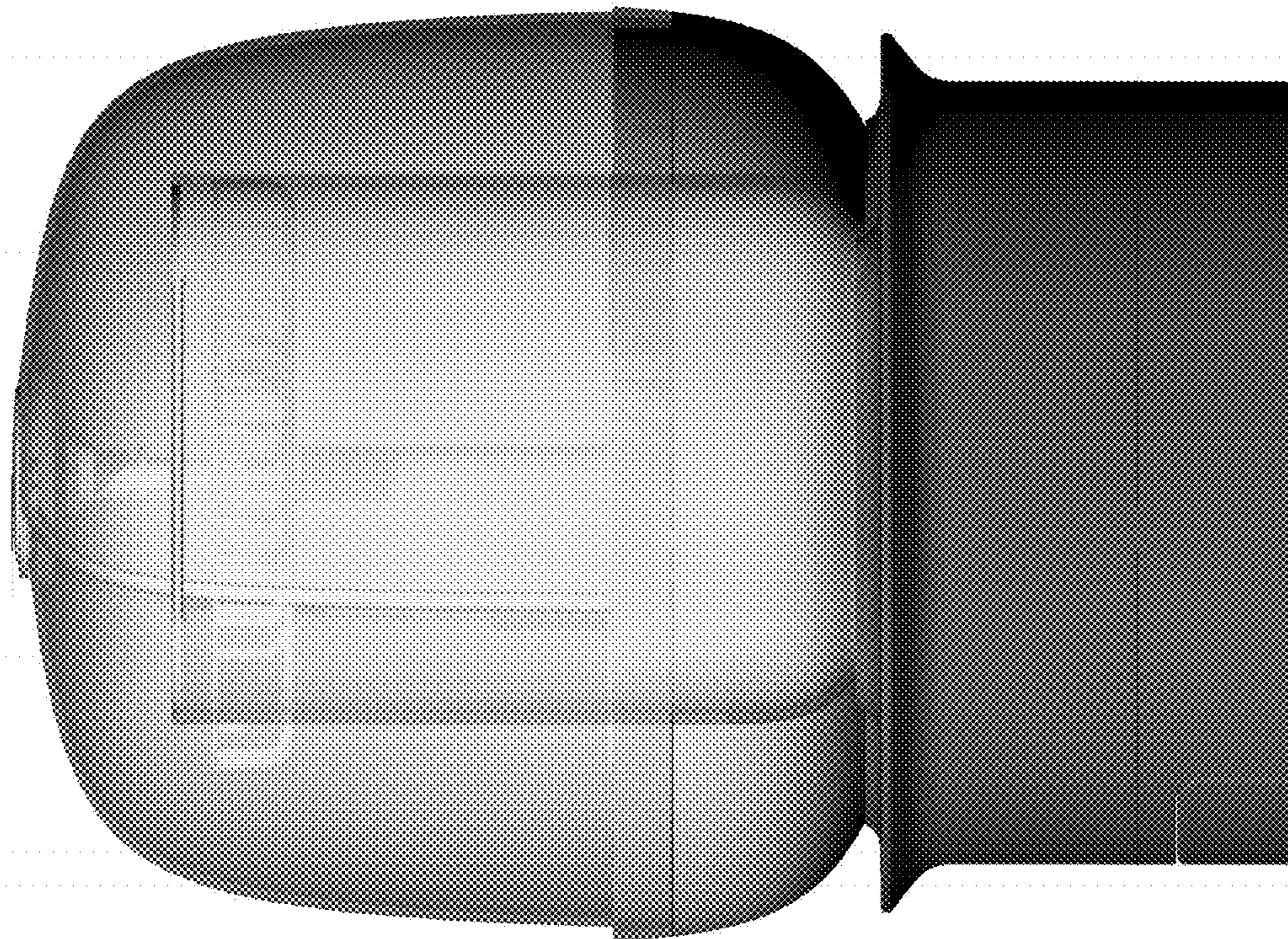


FIG. 5



FIG. 6

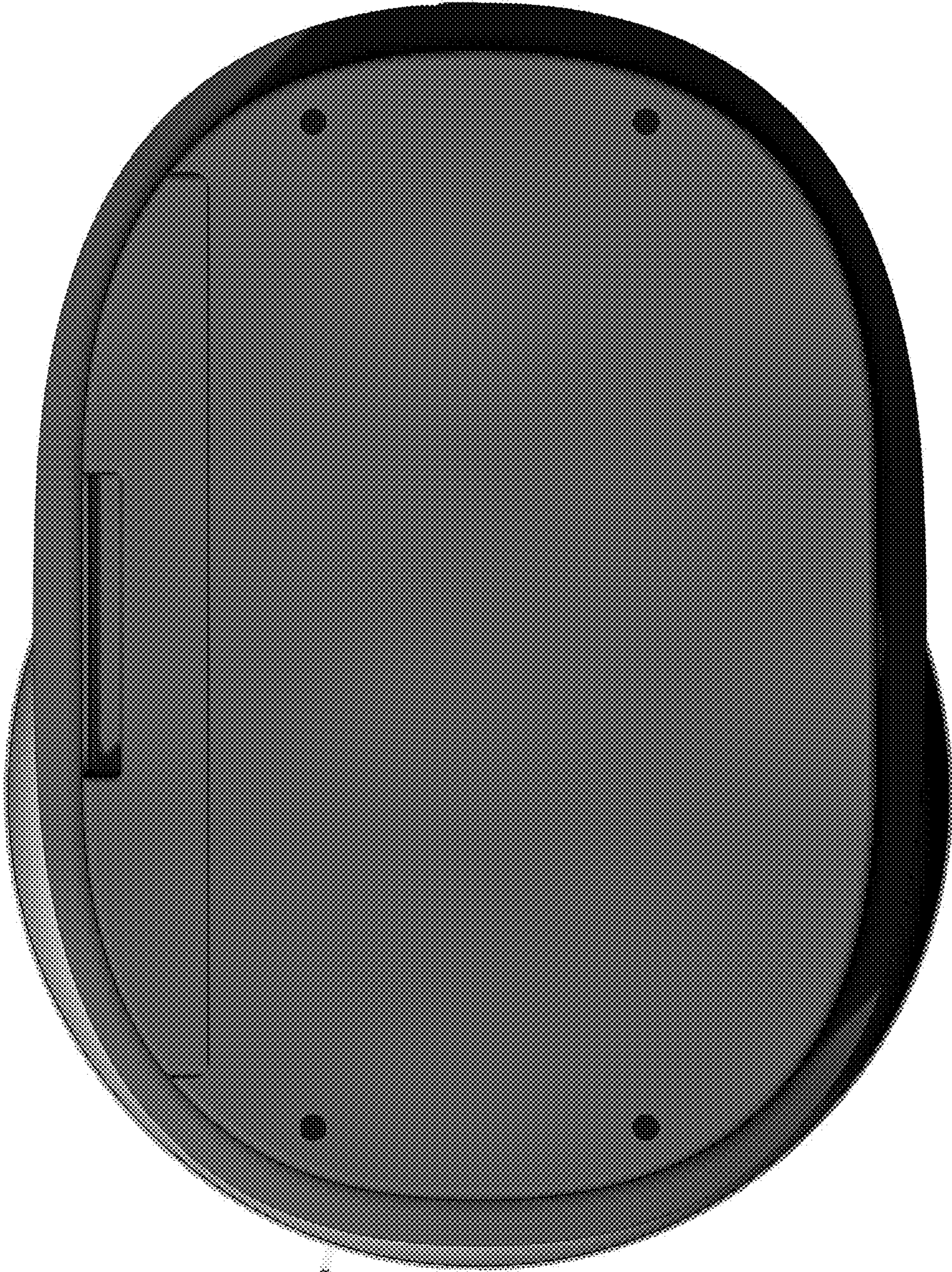


FIG. 7



FIG. 8