



US00D930921S

(12) **United States Design Patent** (10) **Patent No.:** **US D930,921 S**
Axelrod et al. (45) **Date of Patent:** **** Sep. 14, 2021**

(54) **PET TOY**
(71) Applicant: **T.F.H. PUBLICATIONS, INC.**,
Neptune City, NJ (US)
(72) Inventors: **Glen S. Axelrod**, Colts Neck, NJ (US);
Ajay Gajria, Maharashtra (IN); **Grant**
Woodrow Adkins, Freehold, NJ (US);
Nancy S. Rivadeneira, Union, NJ (US)
(73) Assignee: **T.F.H. PUBLICATIONS, INC.**,
Neptune City, NJ (US)
(**) Term: **15 Years**
(21) Appl. No.: **29/695,308**
(22) Filed: **Jun. 18, 2019**
(51) **LOC (13) Cl.** **30-99**
(52) **U.S. Cl.**
USPC **D30/160**
(58) **Field of Classification Search**
USPC D21/398, 400, 402, 412, 415, 426, 436,
D21/439, 440, 441, 443, 455, 479, 495,
D21/563, 656, 712, 713, 788, 799.1, 470,
D21/681, 386, 484, 707, 408, 437, 673,
D21/678, 679, 682; D24/211, 212, 214,
D24/215, 193-195; D1/120, 125-127;
D30/158-160, 112, 119
CPC A01K 1/0356; A01K 5/01; A01K 5/0114;
A01K 15/025; A01K 39/0106; A01K
39/02; A01K 39/0213; A01K 7/02
See application file for complete search history.

(56) **References Cited**
U.S. PATENT DOCUMENTS
1,991,534 A 2/1935 Wood
2,018,559 A 10/1935 Horner
D235,358 S * 6/1975 Dufand D21/707

4,596,389 A 6/1986 Frankowski
D340,073 S * 10/1993 Turner D19/82
5,551,688 A * 9/1996 Miller A63B 45/00
473/570
5,830,092 A 11/1998 Meeks
D417,998 S * 12/1999 Kology D6/597
D516,145 S * 2/2006 Oblack D21/713
D545,509 S * 6/2007 Wang D30/160
D546,405 S * 7/2007 Miller D21/713
D552,853 S * 10/2007 Goodrick D30/118
D706,027 S 6/2014 Hock
D707,303 S * 6/2014 Saber D21/398
D724,679 S * 3/2015 Martyn D21/707
D781,973 S * 3/2017 Wills D21/707
D797,385 S * 9/2017 Hamill D30/160
D817,562 S * 5/2018 Markham D30/160
D819,748 S * 6/2018 Luk D21/398
D822,842 S * 7/2018 Viner D24/211
D849,960 S * 5/2019 Saito D24/211
D887,399 S * 6/2020 Zukowski D14/228

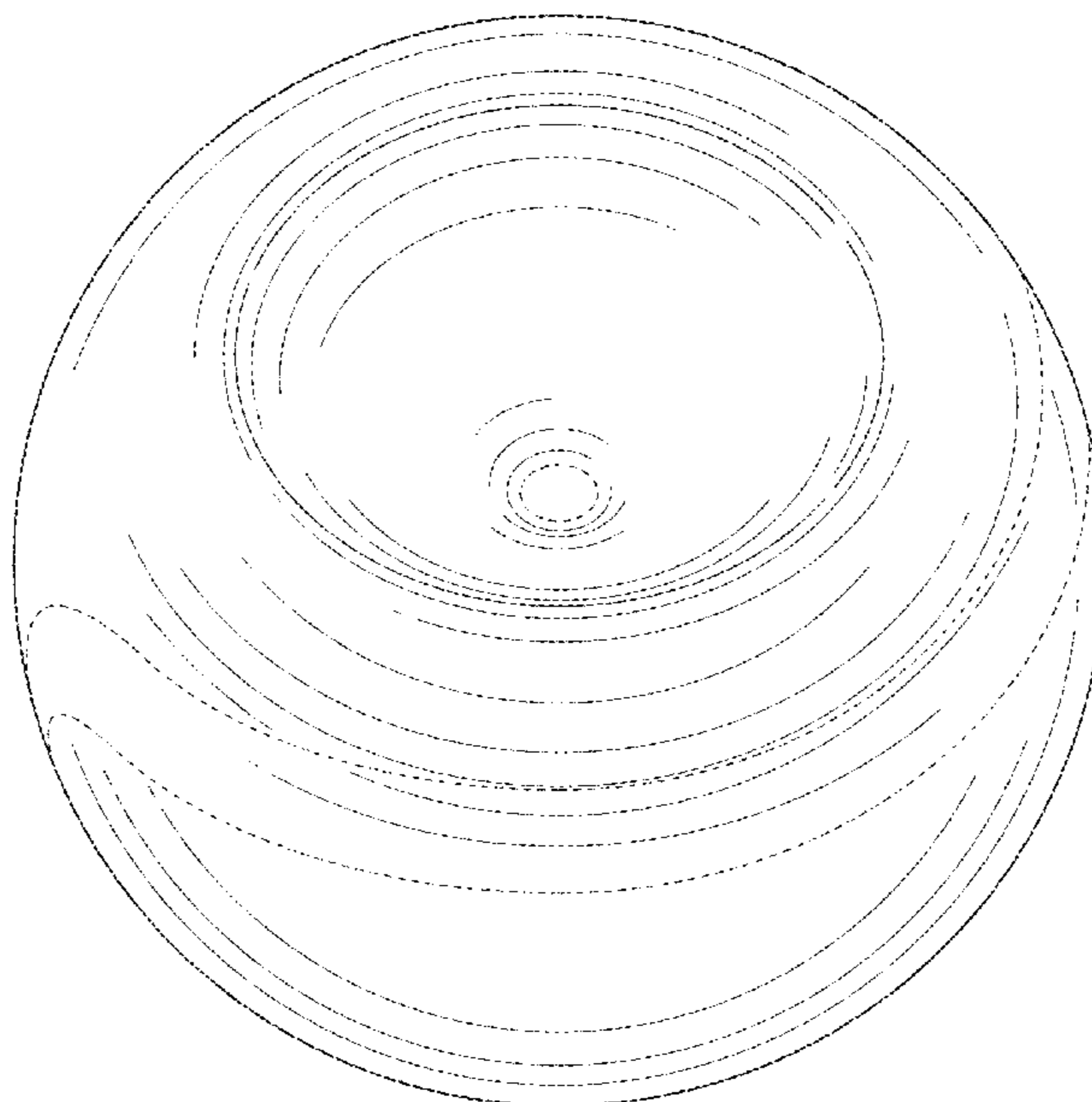
(Continued)

Primary Examiner — Aula Soroush
(74) *Attorney, Agent, or Firm* — Grossman, Tucker,
Perreault & Pflieger, PLLC

(57) **CLAIM**
The ornamental design for a pet toy, as shown and described.

DESCRIPTION
FIG. 1 is a perspective view of the pet toy of a first embodiment showing our new design; FIG. 2 is a front elevation view thereof; FIG. 3 is a rear elevation view thereof; FIG. 4 is a left elevation view thereof; FIG. 5 is a right elevation view thereof; FIG. 6 is a top plan view thereof; and, FIG. 7 is a bottom plan view thereof. The broken lines shown in FIGS. 1-7 are included to show portions of the pet toy that form no part of the claimed design.

1 Claim, 7 Drawing Sheets



(56)

References Cited

U.S. PATENT DOCUMENTS

2010/0203987 A1* 8/2010 Bagley A63B 59/20
473/571

* cited by examiner

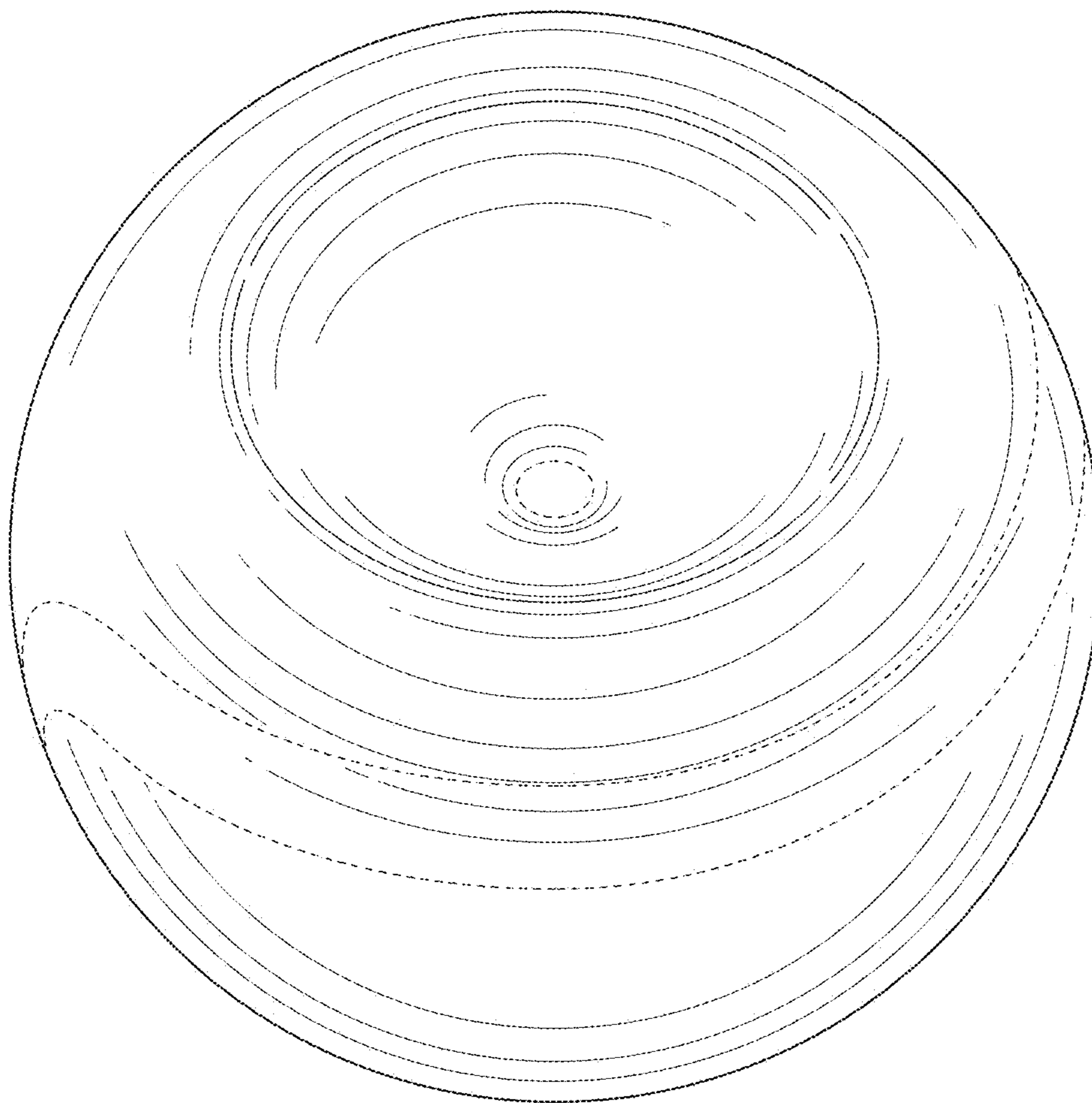


FIG. 1

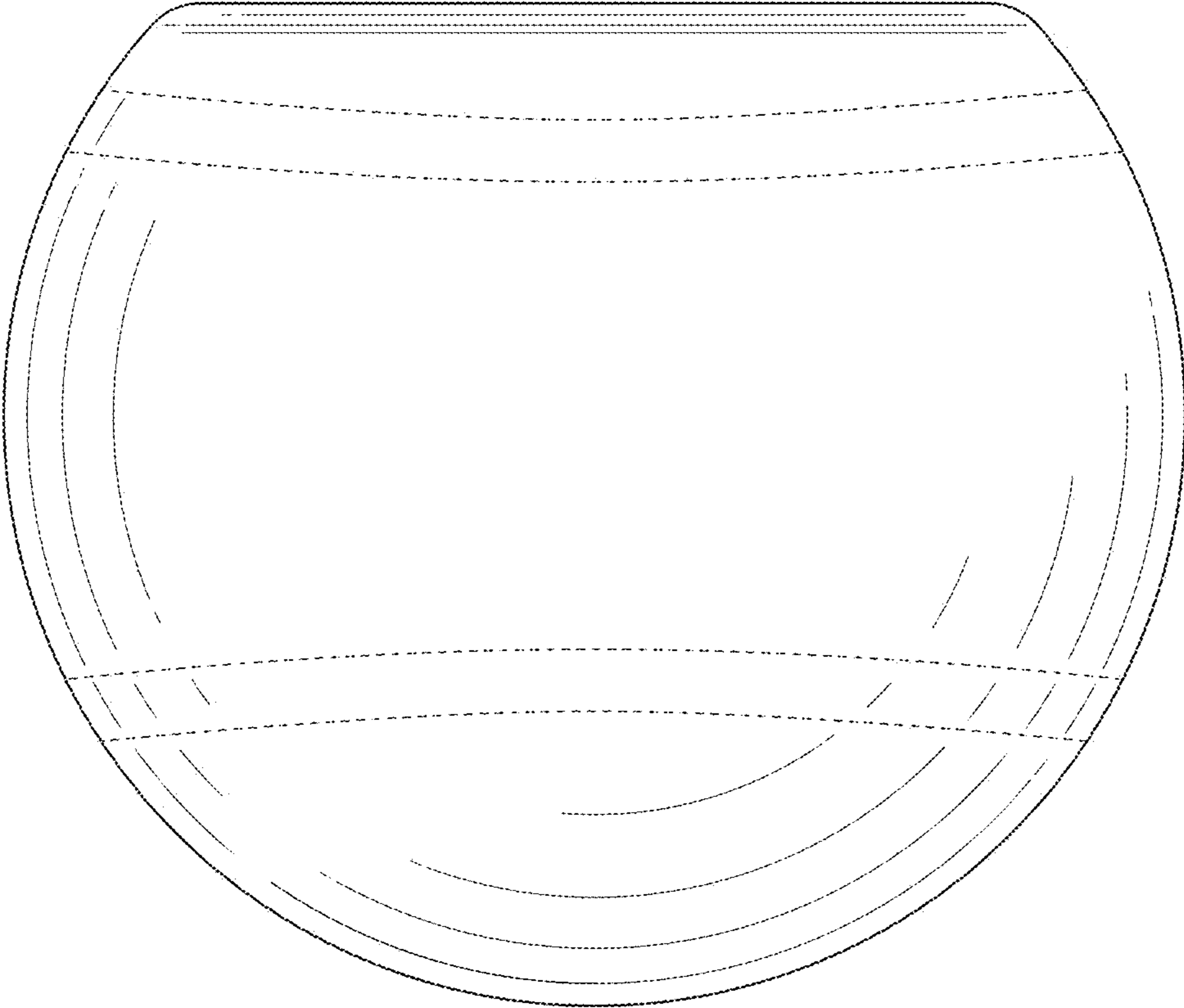


FIG. 2

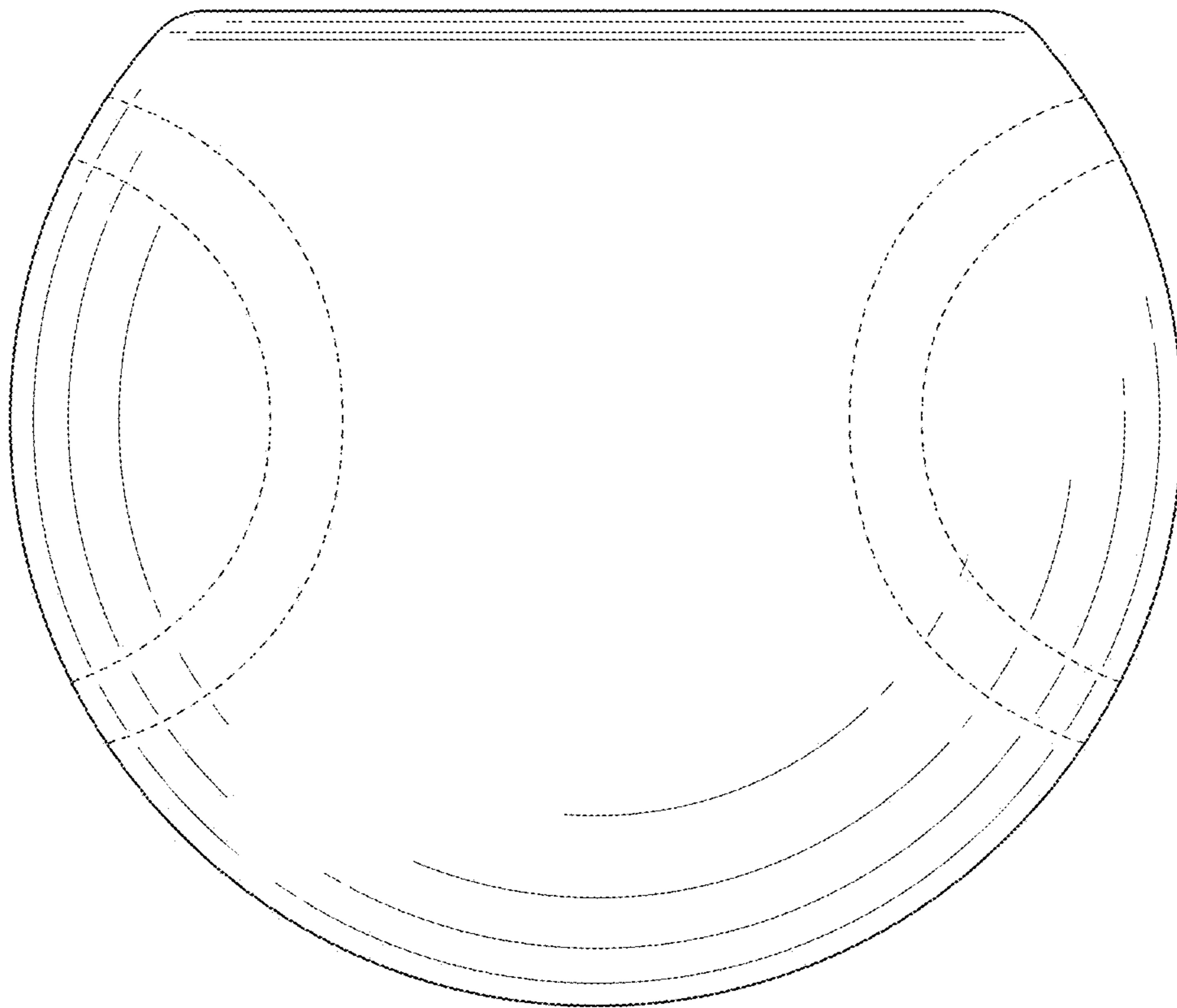


FIG. 3

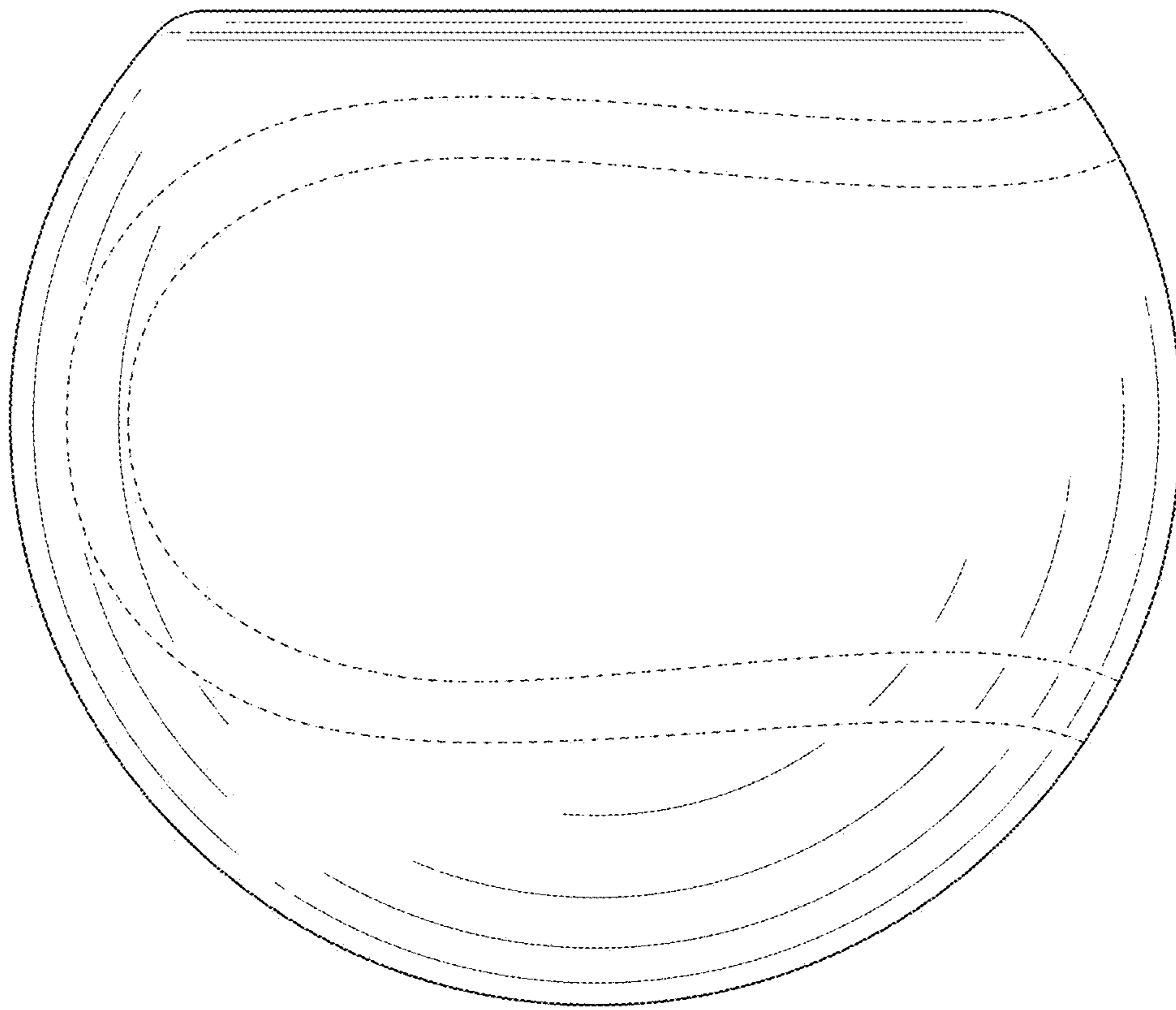


FIG. 4

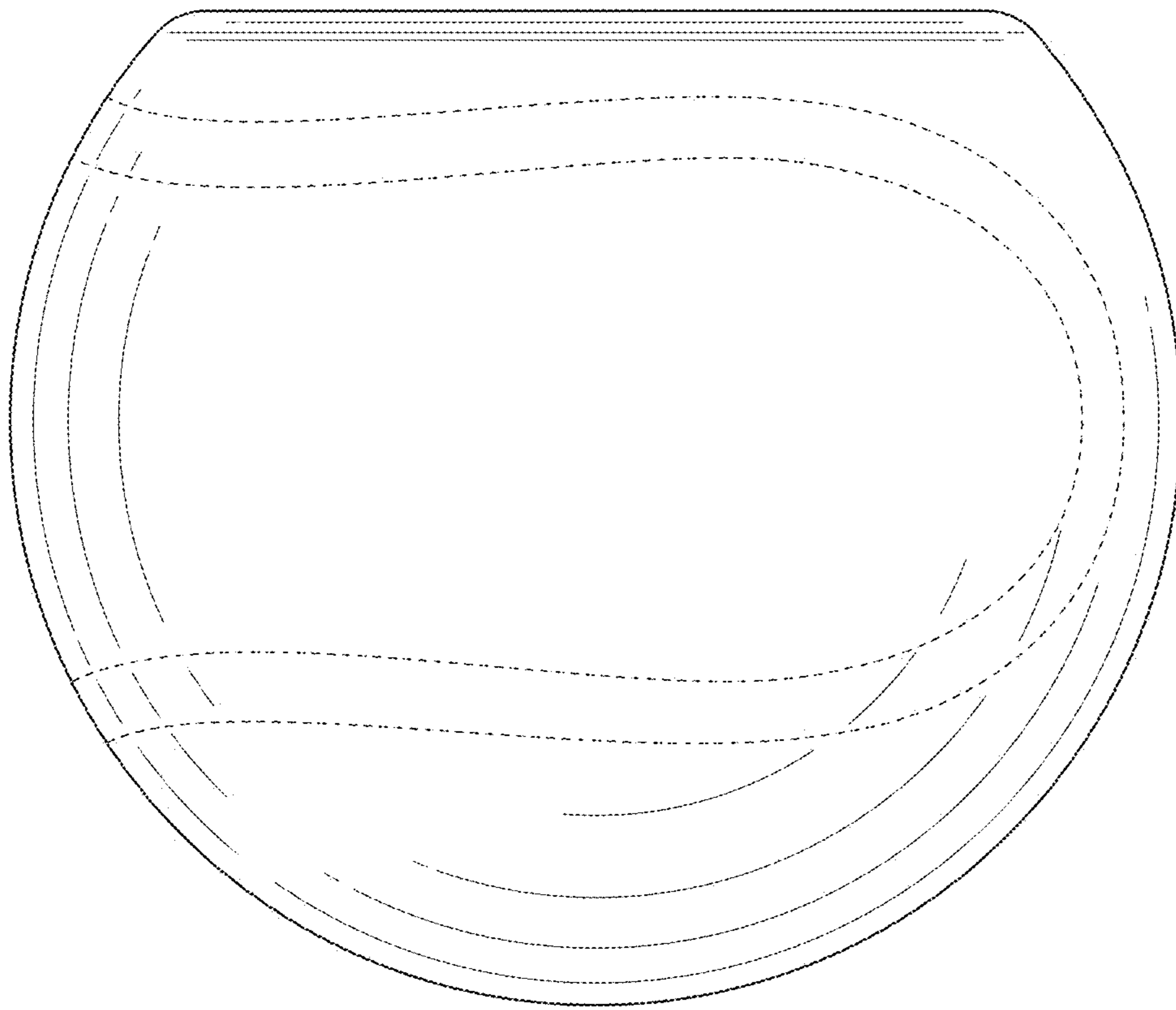


FIG. 5

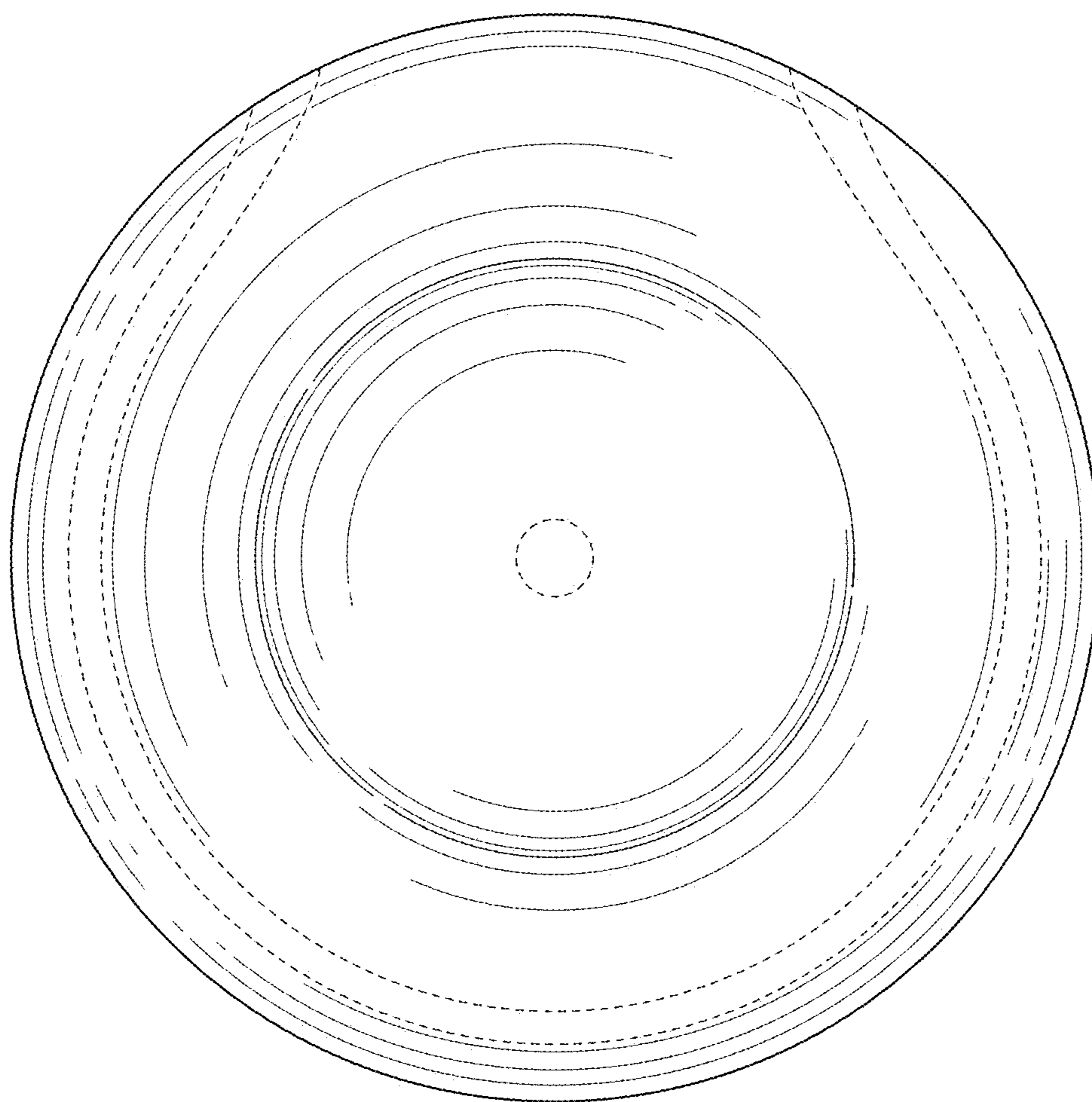


FIG. 6

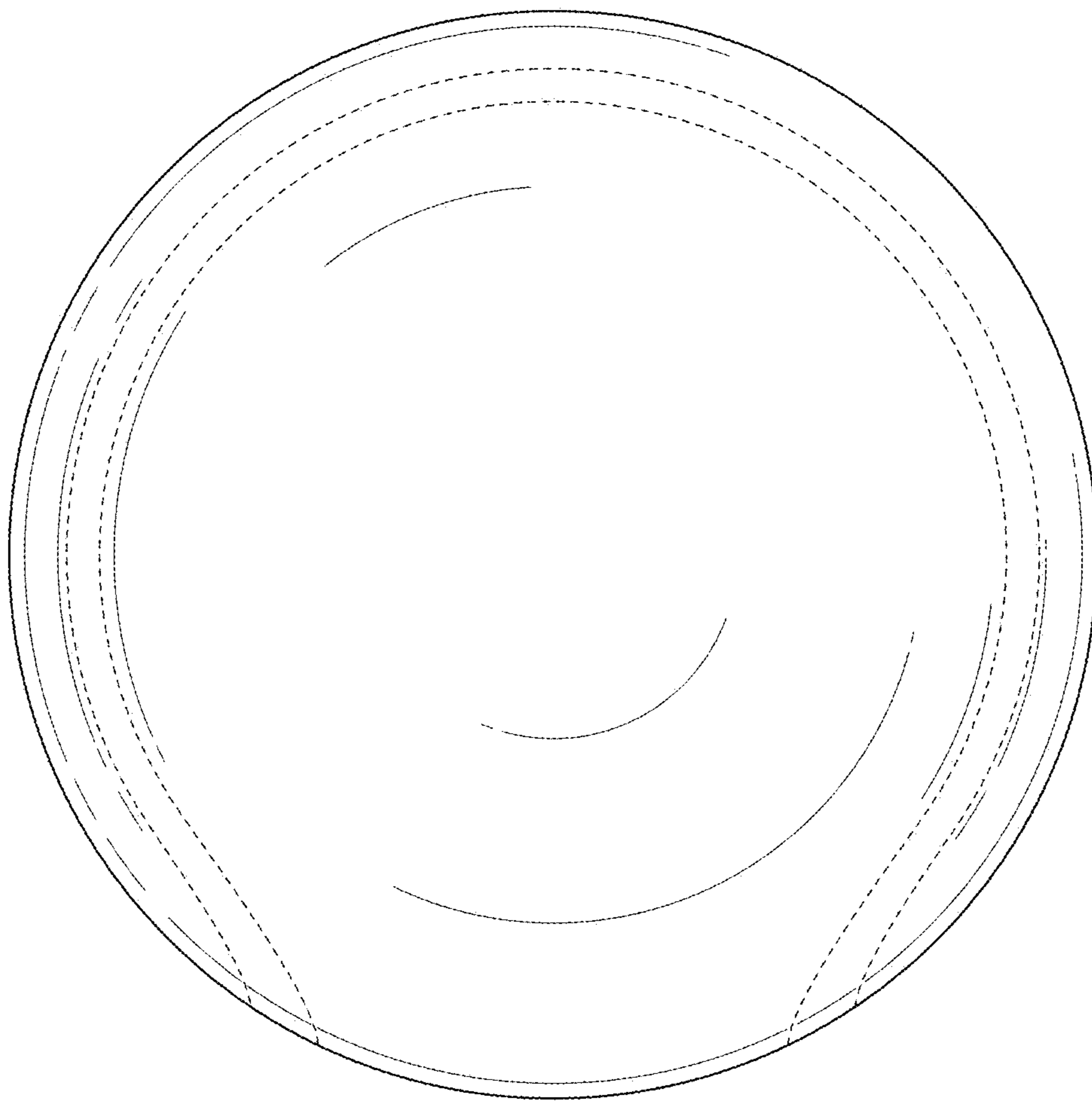


FIG. 7