



US00D930917S

(12) **United States Design Patent** (10) **Patent No.:** **US D930,917 S**
Grossman et al. (45) **Date of Patent:** **** Sep. 14, 2021**

(54) **BOWL STAND** 1,550,708 A * 8/1925 Rozendal A01G 9/12
 47/47
 (71) Applicant: **Barkbox, Inc.**, New York, NY (US) D71,575 S * 12/1926 Cartwright D6/403
 D76,321 S * 9/1928 Paull D11/153
 (72) Inventors: **Dan Grossman**, Brooklyn, NY (US); 1,712,986 A * 5/1929 Favata, Jr. A01G 9/02
Seth Fowler, Philadelphia, PA (US) 47/80
 D81,436 S * 6/1930 Dew et al. D6/403
 D87,162 S * 6/1932 Malik D6/403
 (73) Assignee: **BARKBOX, INC.**, New York, NY 2,000,632 A * 5/1935 Zingre A01G 9/12
 (US) 47/47

(**) Term: **15 Years**

(21) Appl. No.: **29/641,607**

(22) Filed: **Mar. 23, 2018**

(51) **LOC (13) Cl.** **30-07**

(52) **U.S. Cl.**
USPC **D30/133**

(58) **Field of Classification Search**
USPC D30/133, 121, 128, 130, 132; 119/52.1,
119/55, 61.5–61.56, 61.57, 51.01;
D6/480–485, 403–405; 248/188, 153,
248/175, 27.8, 519; 312/204;
108/153.1–157; D7/566, 565, 588, 354,
D7/704, 705, 600, 600.1, 600.3, 601, 590,
D7/592, 401.1, 401.2; D11/164, 143,
D11/152; 47/39

CPC A01K 5/00; A01K 5/01; A01K 5/0107;
A01K 5/0114; A01K 5/0121; A01K
5/0128; A01K 5/0135; A01K 5/0142;
A01K 7/005; A01K 7/00; A01K 1/10;
A01K 1/0356; A01K 1/0135; A01K
39/014; A01K 29/00; B66F 11/00; A47G
7/025; A47B 73/00; A47B 73/002
See application file for complete search history.

(56) **References Cited**

U.S. PATENT DOCUMENTS

134,738 A * 1/1873 Dudley A47B 73/00
211/74
516,632 A * 3/1894 Leonard A01G 9/12
47/47

(Continued)

Primary Examiner — Susan Moon Lee

(74) *Attorney, Agent, or Firm* — Grogan, Tuccillo &
Vanderleeden, LLP

(57) **CLAIM**

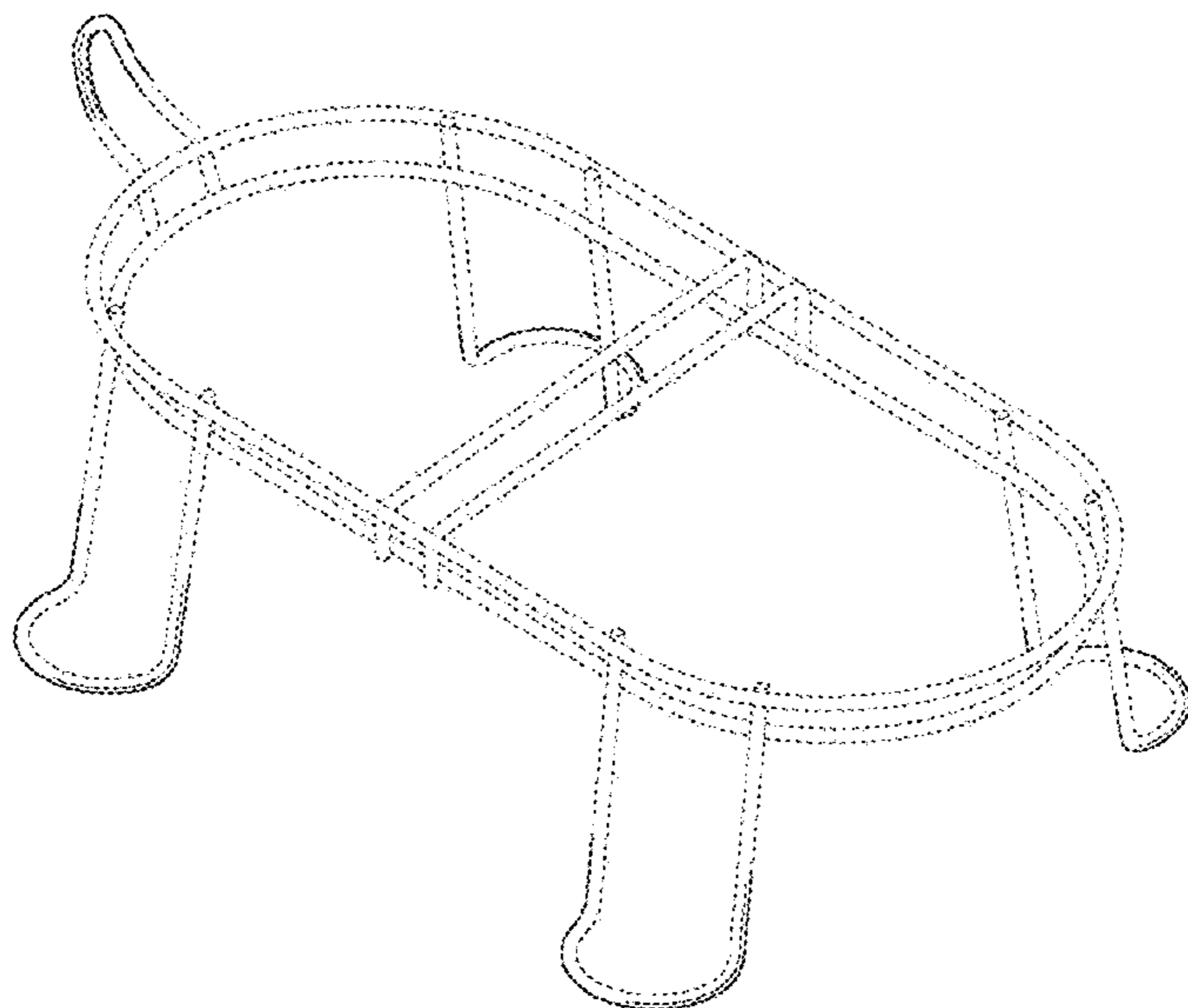
The ornamental design for a bowl stand, as shown and described.

DESCRIPTION

FIG. 1 is a perspective view of a bowl stand depicting a first embodiment of a new design;
 FIG. 2 is a front view thereof;
 FIG. 3 is a rear view thereof;
 FIG. 4 is a side view thereof, the opposite side being identical thereto;
 FIG. 5 is a top view thereof;
 FIG. 6 is a bottom view thereof;
 FIG. 7 is a perspective view of the bowl stand according to a second embodiment;
 FIG. 8 is a side view thereof, the opposite side view being identical thereto;
 FIG. 9 is a rear view thereof;
 FIG. 10 is a front view thereof;
 FIG. 11 is a top view thereof; and,
 FIG. 12 is a bottom view thereof.

The broken lines depict unclaimed portions of the bowl stand and form no part of the claimed design.

1 Claim, 9 Drawing Sheets



(56)

References Cited

U.S. PATENT DOCUMENTS

2,203,632 A * 6/1940 Munson A47B 13/06
 248/146
 D132,421 S * 5/1942 Krapp D30/133
 D137,862 S * 5/1944 Conant D6/677.2
 D166,410 S * 4/1952 Press D7/364
 D167,555 S * 8/1952 Bisharat D6/405
 D193,957 S * 10/1962 Young D34/6
 D198,802 S * 8/1964 Cucullo D6/403
 D302,756 S * 8/1989 Trine D30/133
 D343,968 S * 2/1994 Emalfarb D11/143
 D362,762 S * 10/1995 Emalfarb D6/405
 D365,700 S * 1/1996 Lee D6/403
 D369,698 S * 5/1996 Hollinger D6/405
 D372,137 S * 7/1996 Hollinger D6/403
 D378,149 S * 2/1997 Mann D30/133
 D397,261 S * 8/1998 Sellers D6/403
 D434,247 S * 11/2000 Rosenberg D11/153
 D449,179 S * 10/2001 Sellers D6/403
 D463,158 S * 9/2002 Lu D6/403
 6,454,225 B1 * 9/2002 Jaworski A47G 7/025
 248/153

6,517,035 B1 * 2/2003 Sellers A47G 7/041
 248/146
 D478,735 S * 8/2003 Sellers D6/403
 D484,715 S * 1/2004 Missry D6/403
 D497,494 S * 10/2004 Tseng D6/403
 6,854,210 B2 * 2/2005 Gunderman A47G 7/025
 47/39
 D503,861 S * 4/2005 Sellers D6/403
 D504,789 S * 5/2005 Hayes D6/403
 D559,008 S * 1/2008 Knight D6/403
 D580,109 S * 11/2008 Rutherford D30/121
 D592,425 S * 5/2009 Low D6/403
 D634,991 S * 3/2011 Chen D7/704
 D651,454 S * 1/2012 Chin D7/401.2
 D653,474 S * 2/2012 Garcia D6/404
 D676,716 S * 2/2013 Lalo D7/619.1
 D778,683 S * 2/2017 Chen D7/600.1
 D820,535 S * 6/2018 Caruso D30/133
 D850,826 S * 6/2019 Amendt D6/675.2
 D889,467 S * 7/2020 Fook D14/420
 2005/0248165 A1 * 11/2005 Sharon A01K 5/0114
 294/27.1

* cited by examiner

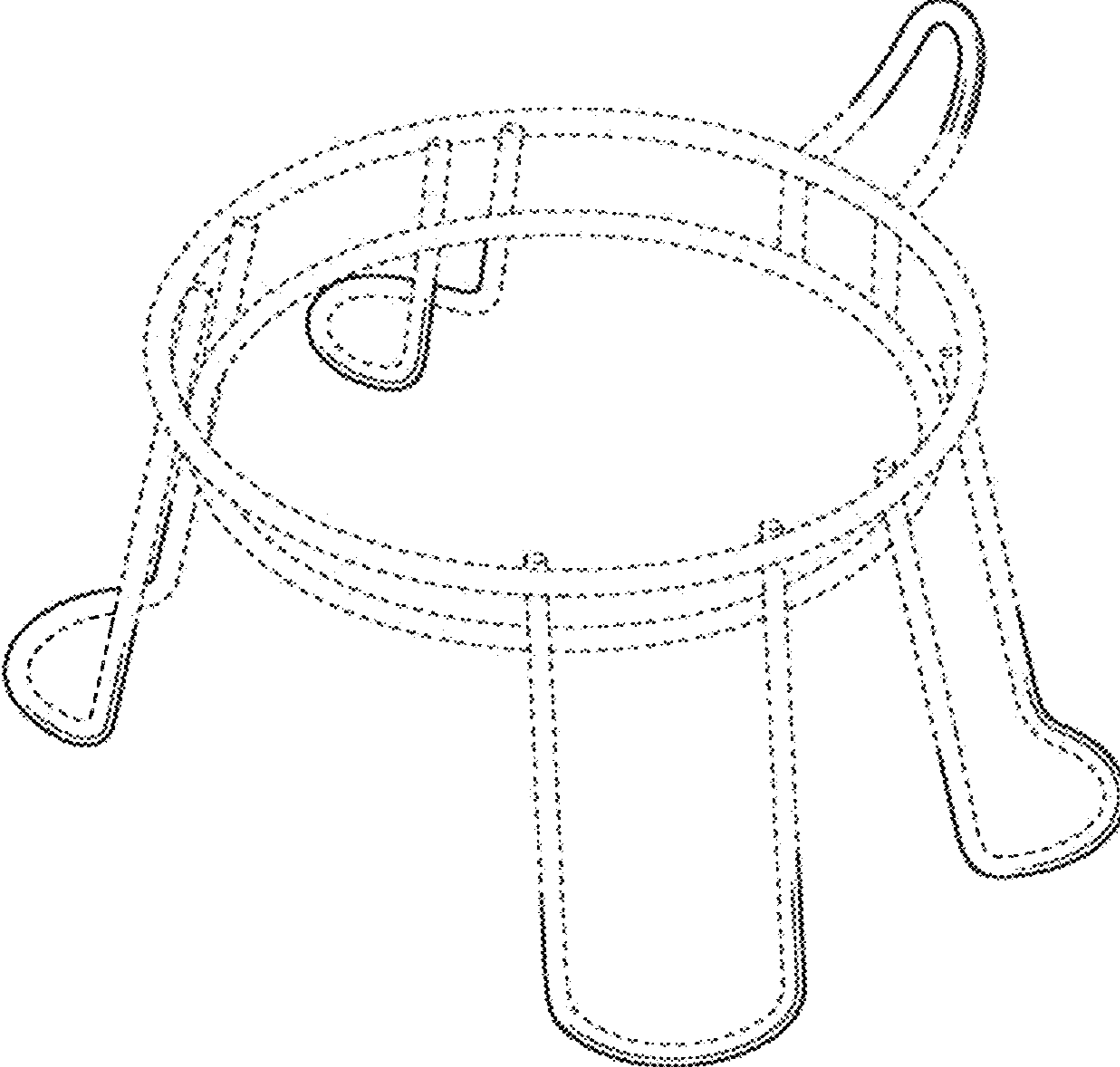


FIG. 1

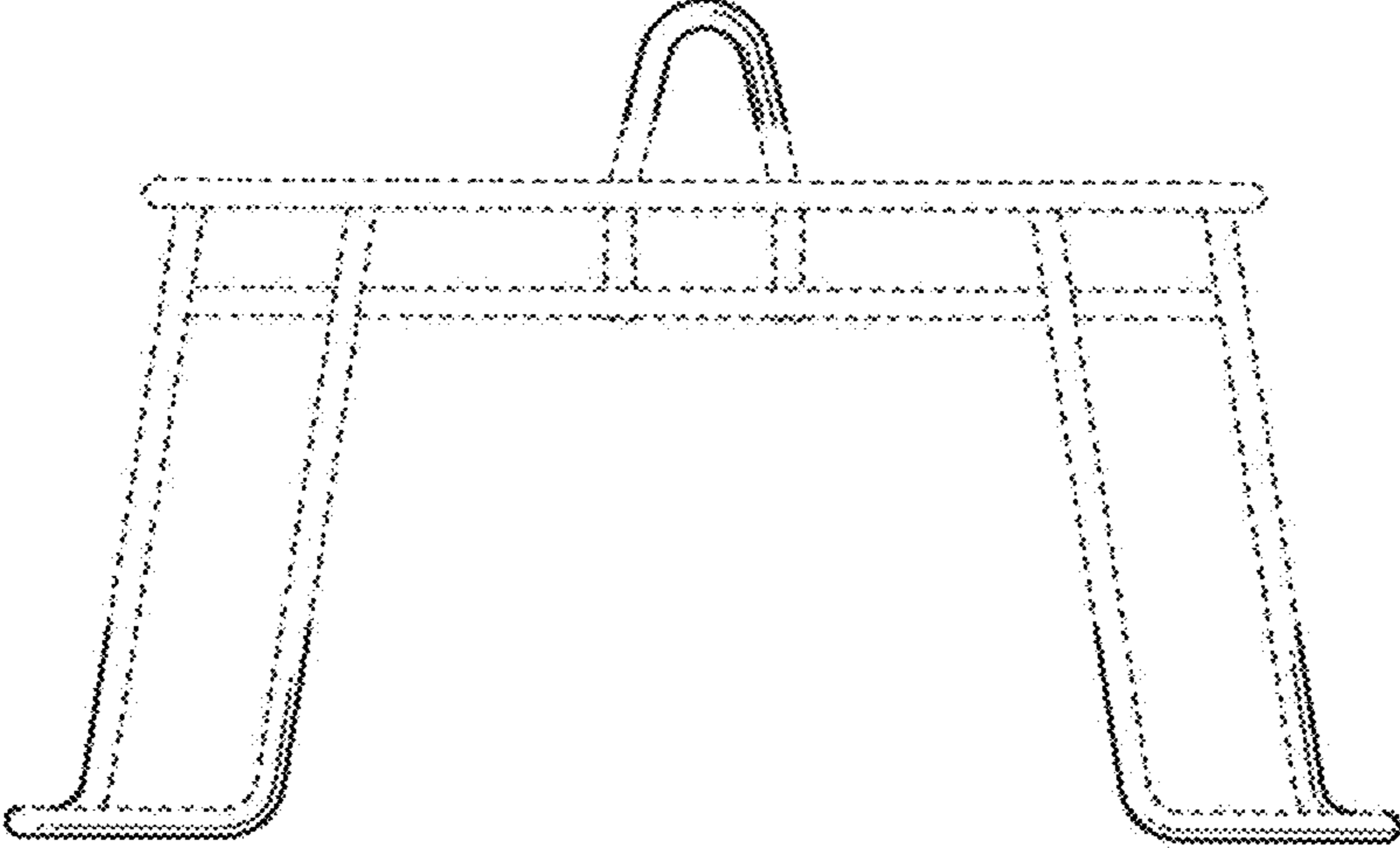


FIG. 2

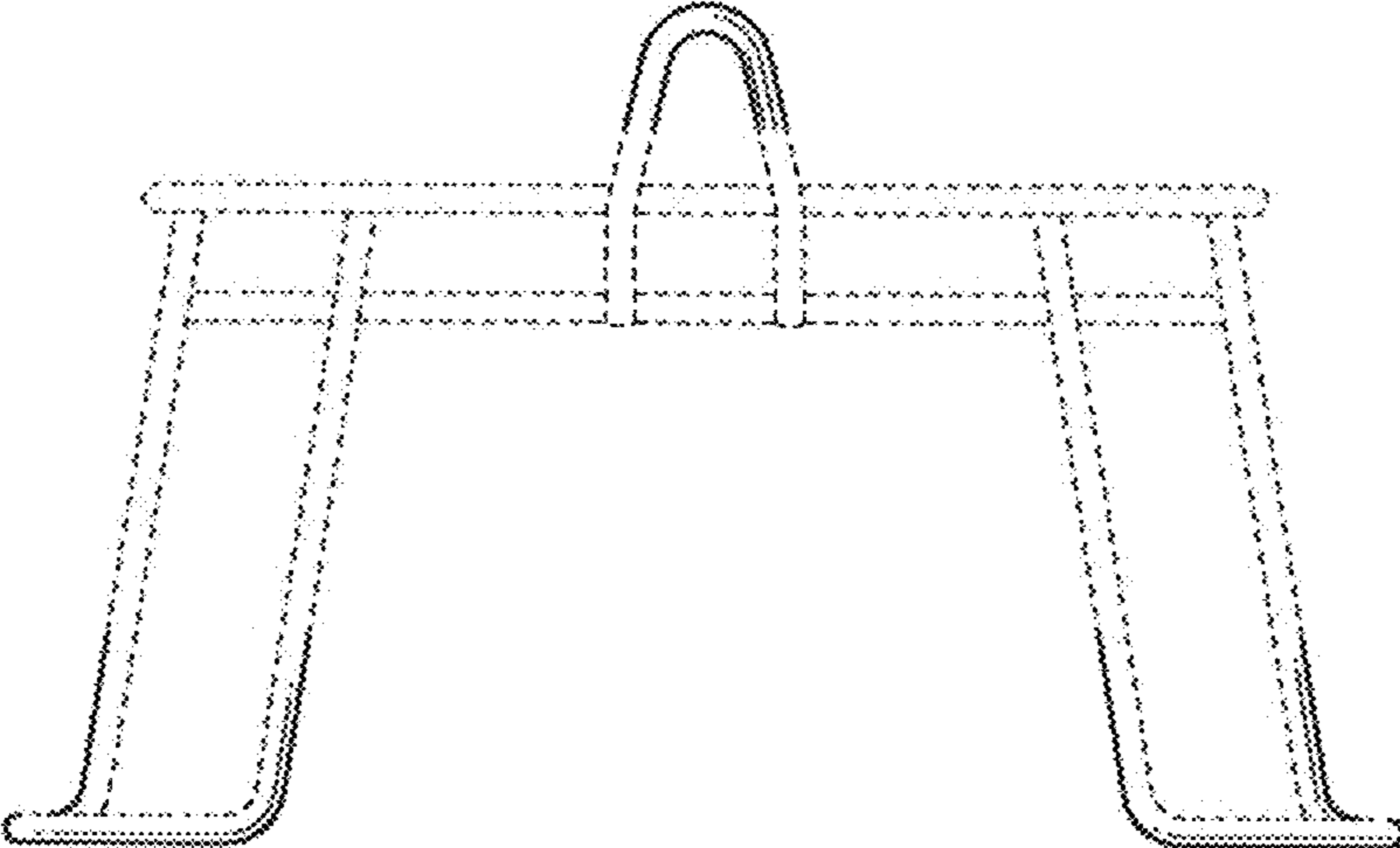


FIG. 3

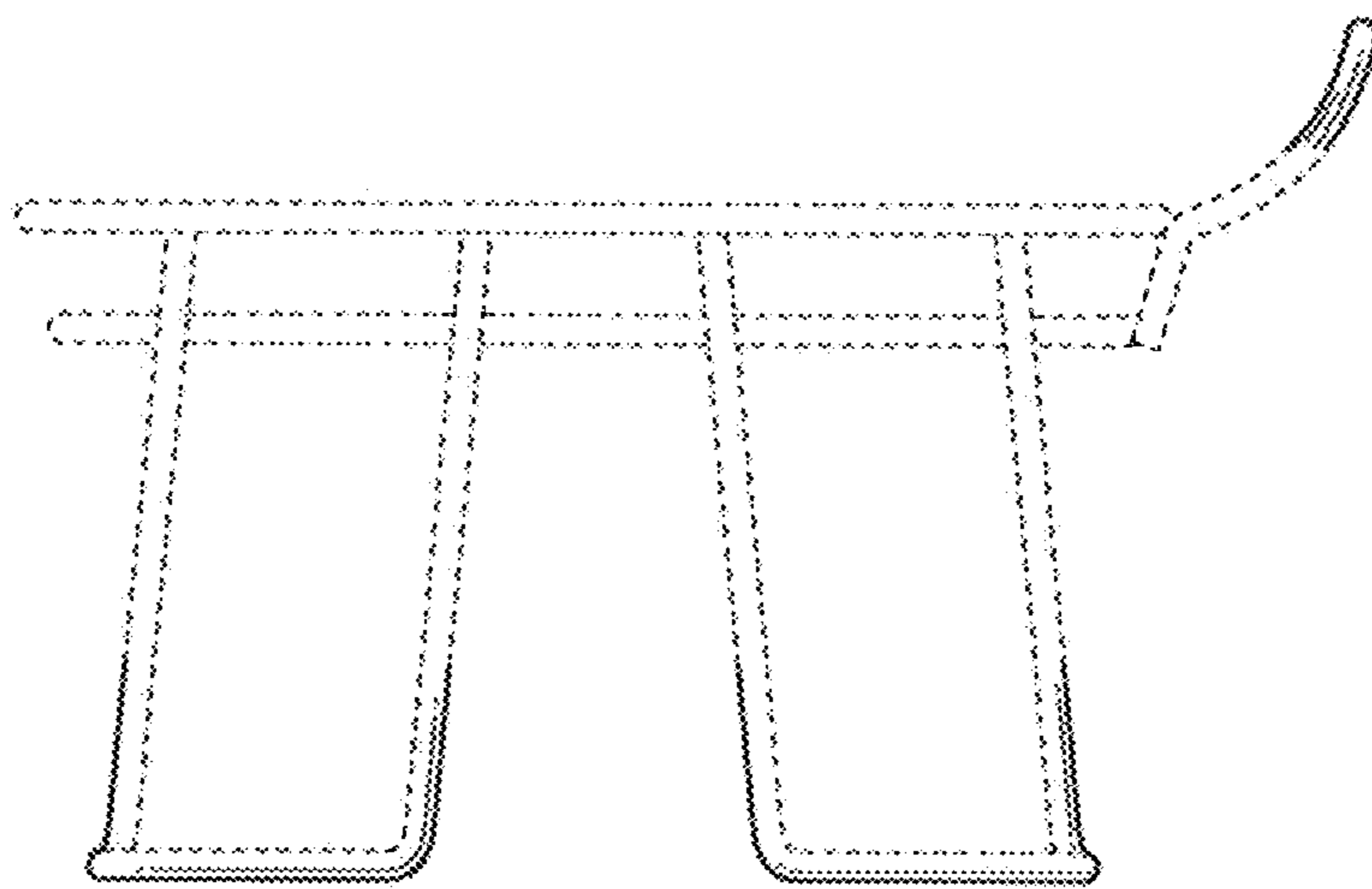


FIG. 4

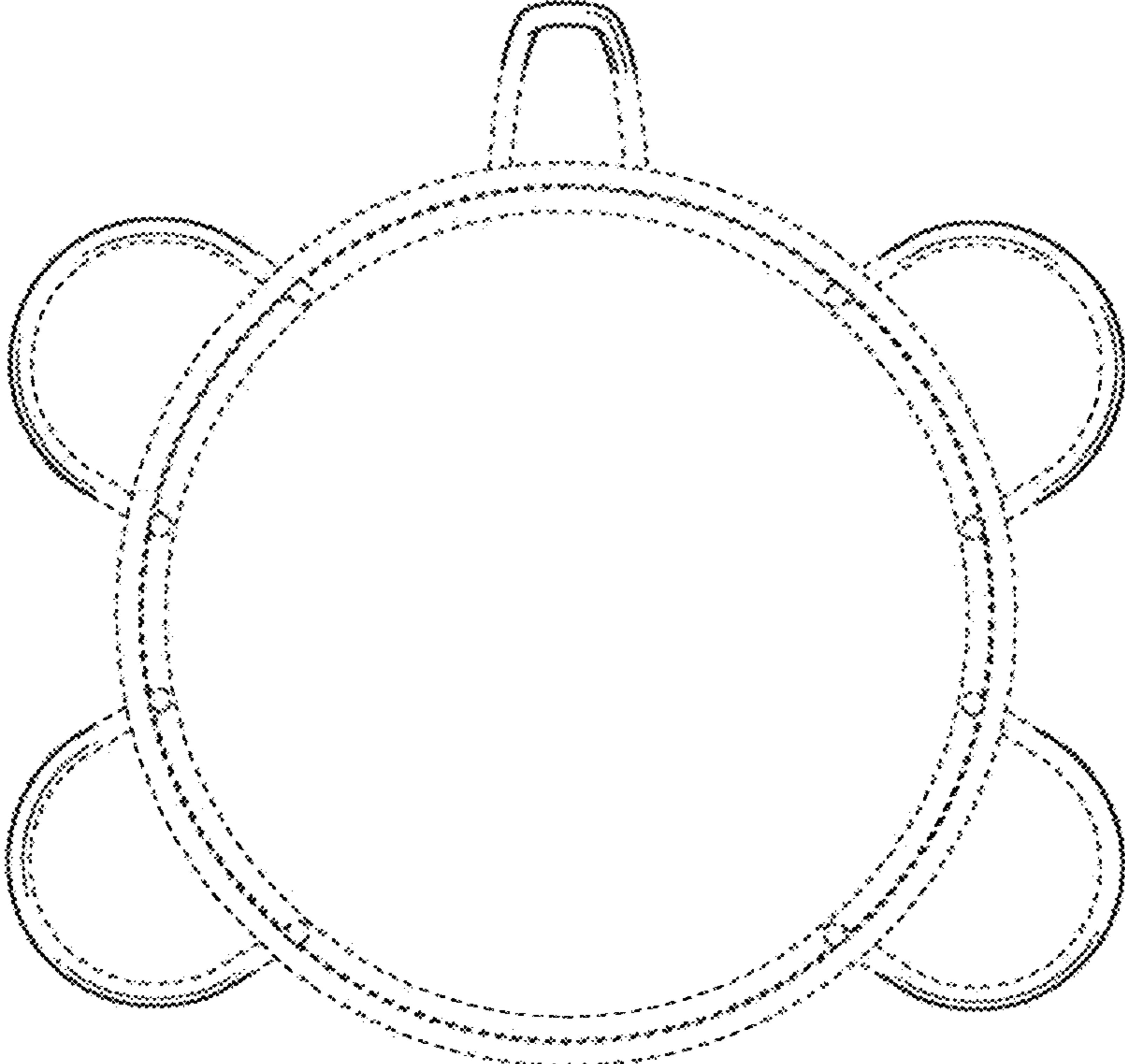


FIG. 5

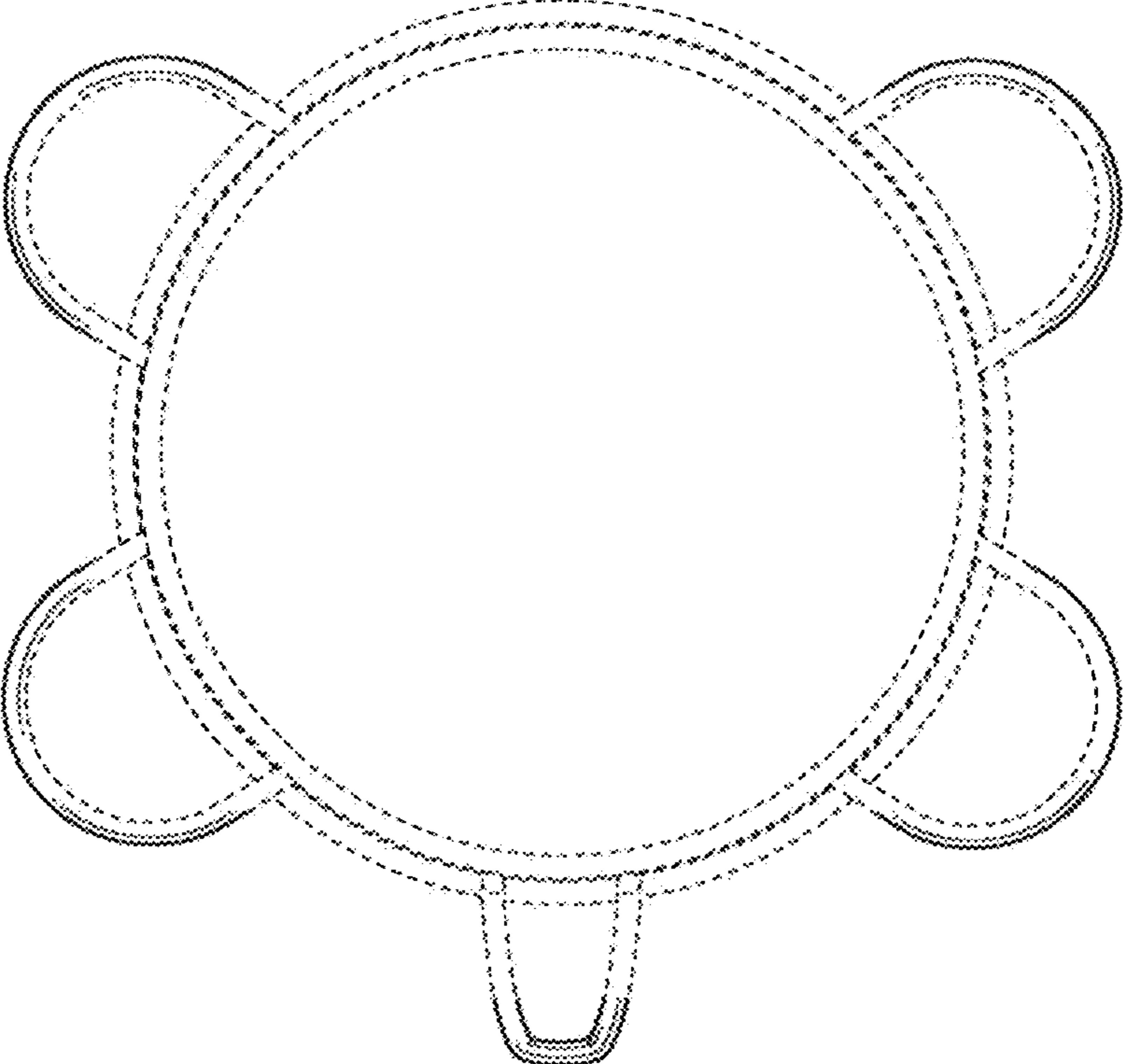


FIG. 6

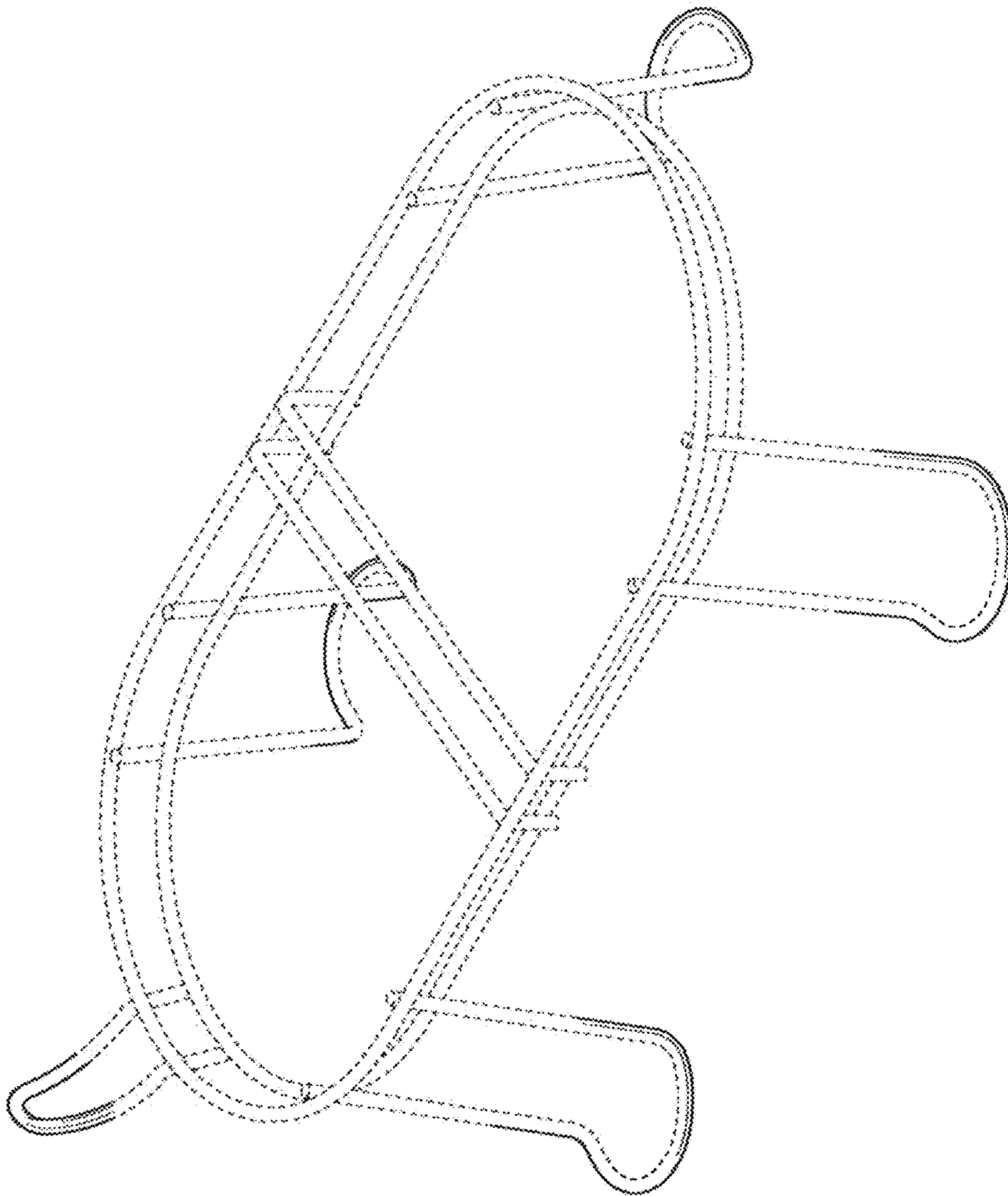


Fig. 7

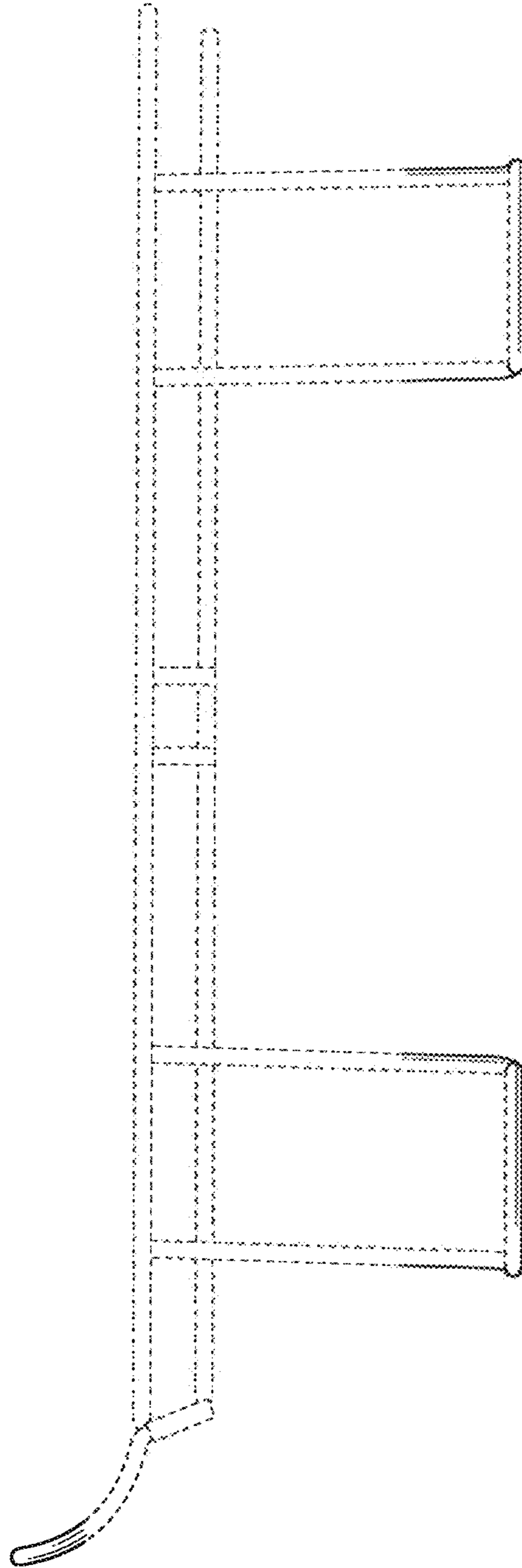


Fig. 8

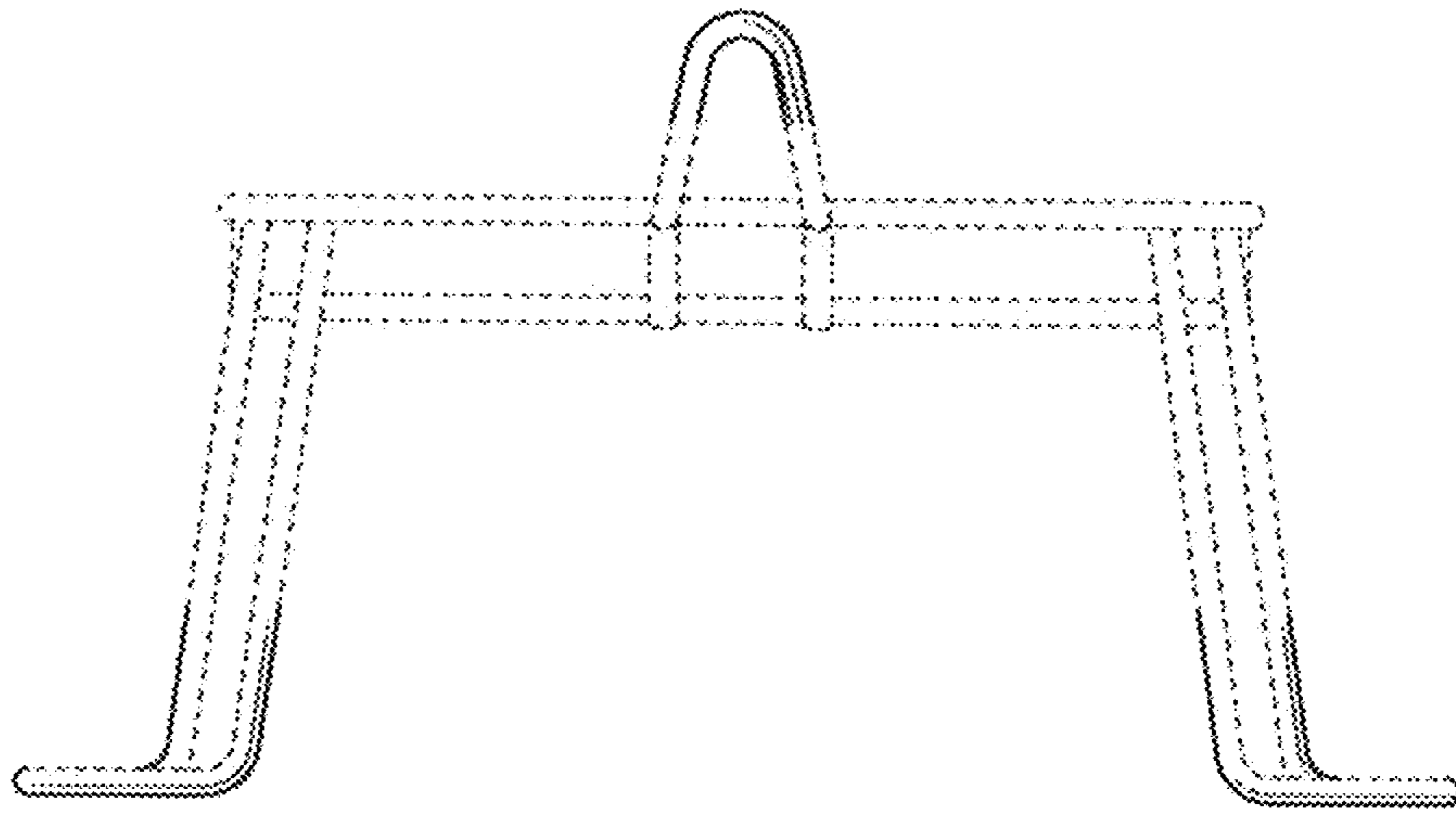


Fig. 9

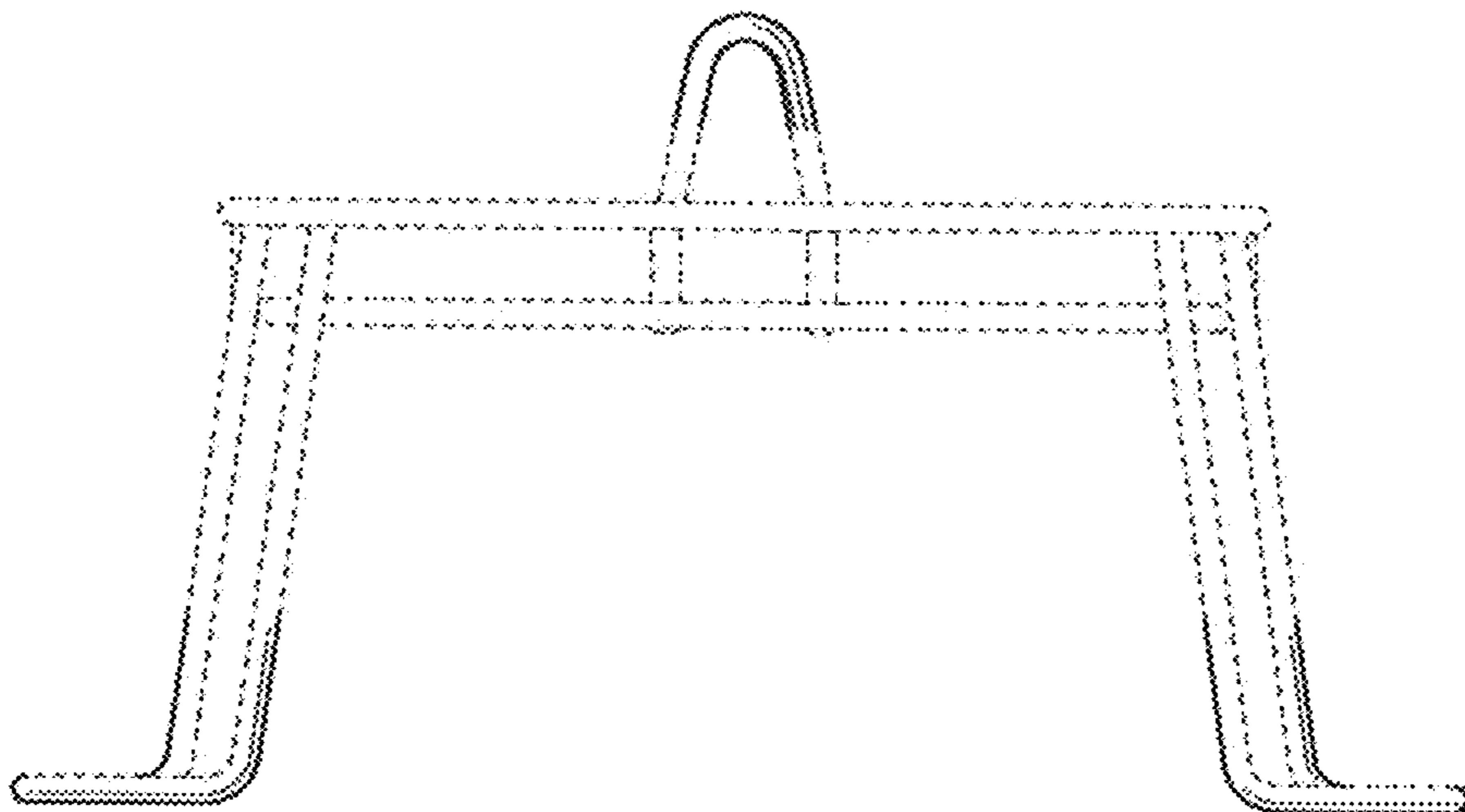


Fig. 10

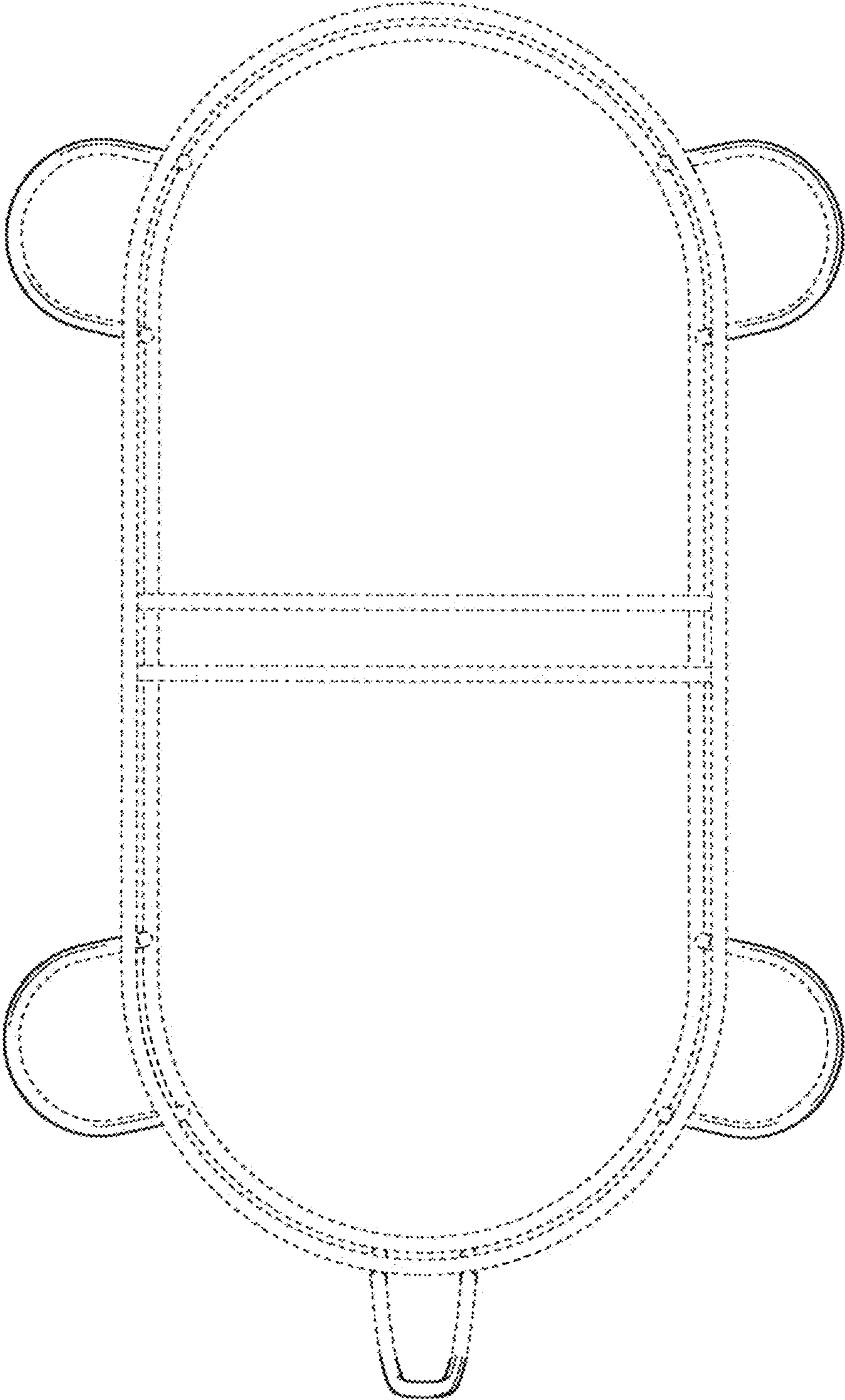


Fig. 11

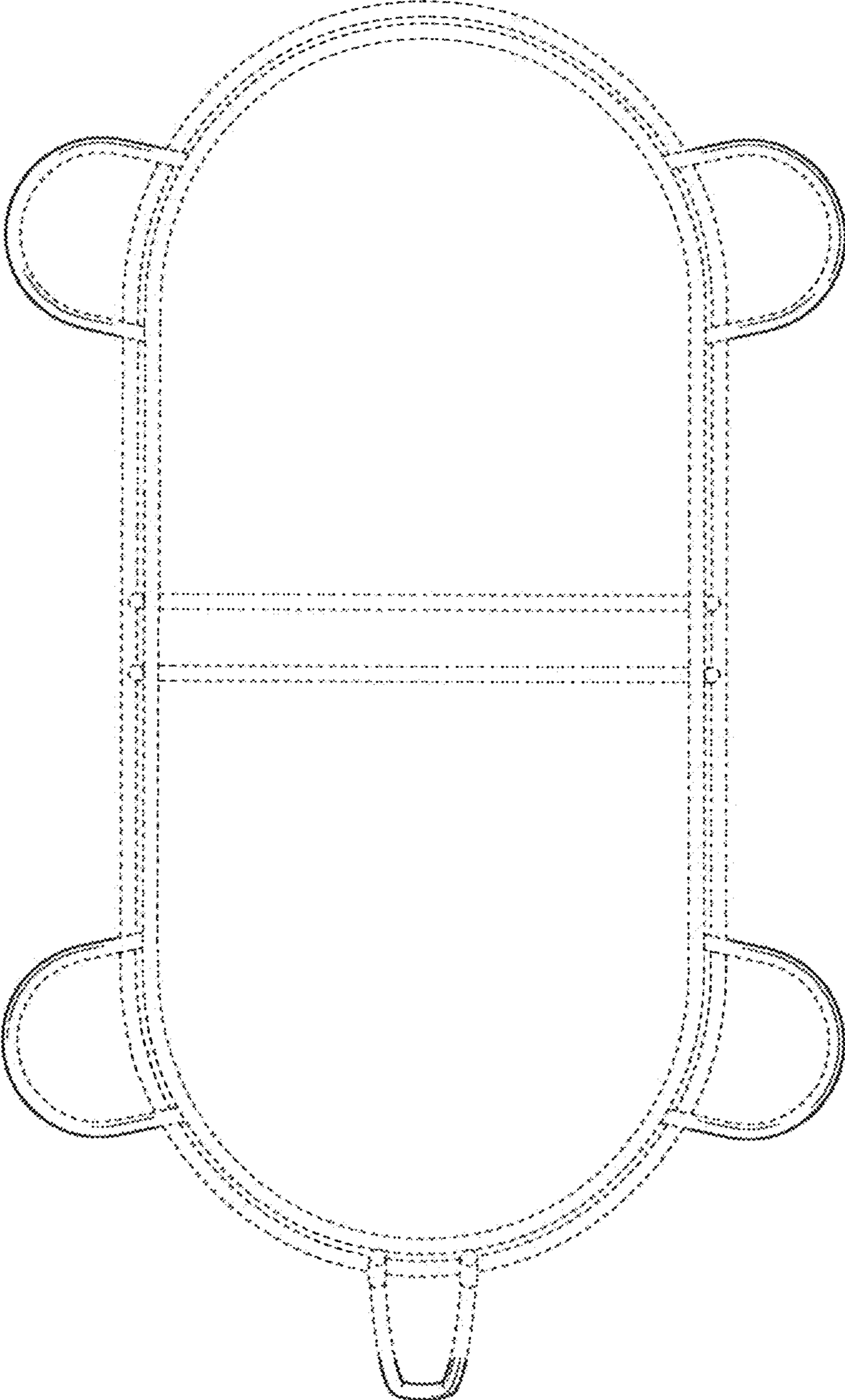


Fig. 12