



US00D930916S

(12) **United States Design Patent** (10) **Patent No.:** **US D930,916 S**
Yi (45) **Date of Patent:** **** Sep. 14, 2021**

(54) **PET WATER BOWL**

OTHER PUBLICATIONS

(71) Applicant: **SHENZHEN LESHUO TECHNOLOGY CO., LTD.**, Shenzhen (CN)

“Leshuo TC Automatic Waterer Bowl” available Nov. 21, 2019, [online], [site visited Oct. 18, 2020]. Retrieved from Internet, URL: <https://www.amazon.com/Leshuo-TC-Automatic-Waterer-Float/dp/B081T1LDGK> (Year: 2019).*

(72) Inventor: **Zhou Yi**, Shenzhen (CN)

“Aqua Buddy Auto Fill Outdoor Dog Water Bowl” available Oct. 27, 2016, [online], [site visited Oct. 18, 2020]. Retrieved from Internet, URL: <https://www.amazon.com/Aqua-Buddy-Auto-Outdoor-Water/dp/B01CIXETIK> (Year: 2016).*

(73) Assignee: **SHENZHEN LESHUO TECHNOLOGY CO., LTD.**, Shenzhen (CN)

* cited by examiner

(**) Term: **15 Years**

Primary Examiner — Michael C Stout

(21) Appl. No.: **29/710,059**

Assistant Examiner — Katrina N Gonzalez

(22) Filed: **Oct. 20, 2019**

(74) *Attorney, Agent, or Firm* — Law Offices of Stevenw. Weinrieb

(51) **LOC (13) Cl.** **30-03**

(52) **U.S. Cl.**

USPC **D30/132; D30/129**

(58) **Field of Classification Search**

USPC D30/121, 122, 130–133, 199; 119/51.01, 119/51.5, 61.5, 61.52, 61.53, 61.54, 119/61.55, 72, 73

CPC . A01K 5/00; A01K 7/00; A01K 39/02; A01K 39/04; A01K 39/0213

See application file for complete search history.

(57) **CLAIM**

The ornamental design for a pet water bowl, as shown and described.

DESCRIPTION

FIG. 1 is a front, right side, top perspective view of a pet water bowl showing my new design; FIG. 2 is a rear, left side, bottom perspective view thereof; FIG. 3 is a front elevational view thereof; FIG. 4 is a rear elevational view thereof; FIG. 5 is a left side elevational view thereof; FIG. 6 is a right side elevational view thereof; FIG. 7 is a top plan view thereof; and, FIG. 8 is a bottom plan view thereof.

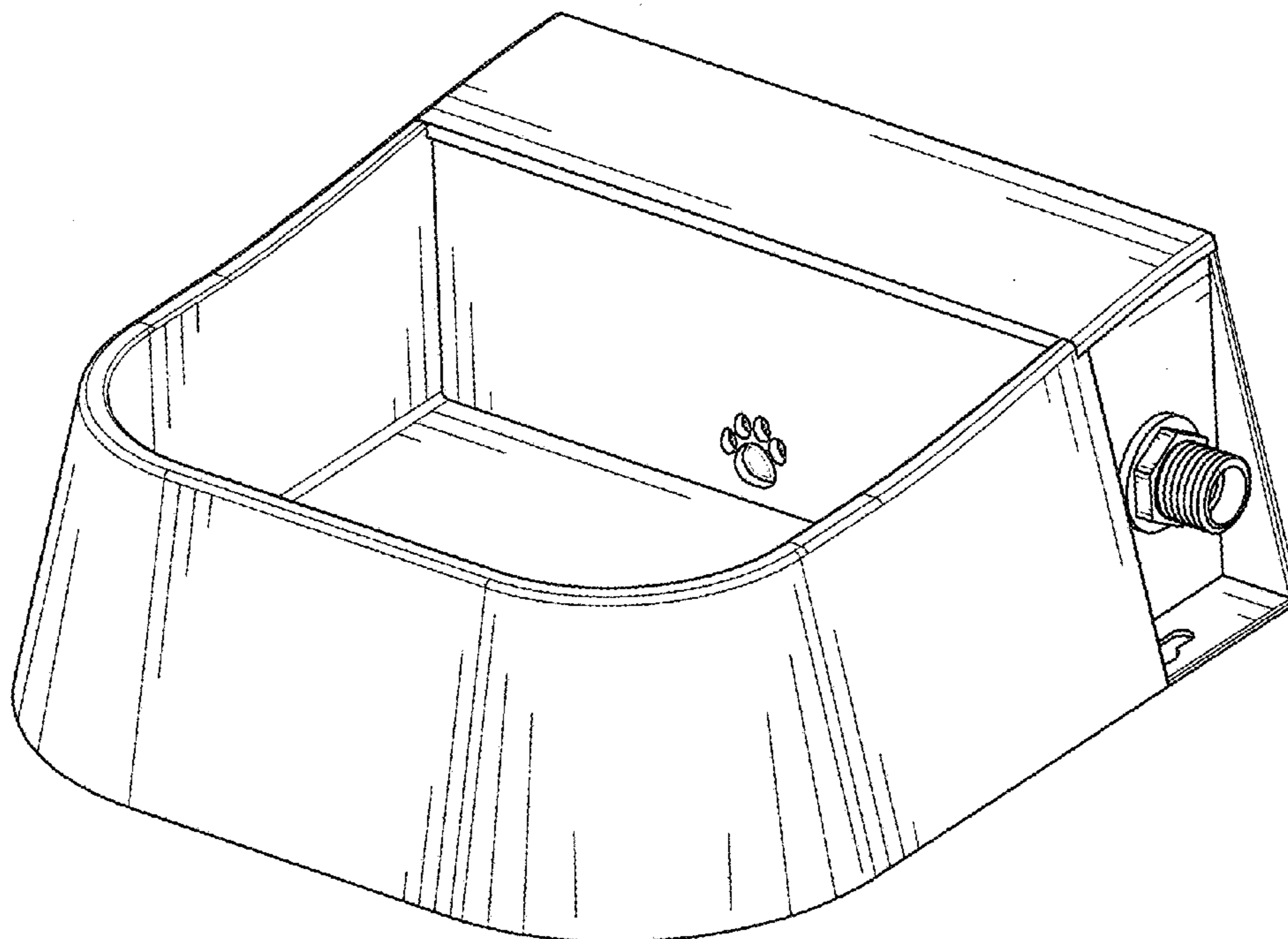
The dash-dot broken lines represent the bounds of the claim and form no part of the claimed design.

(56) **References Cited**

U.S. PATENT DOCUMENTS

D230,035 S *	1/1974	Bowman	D30/122
D278,371 S *	4/1985	Strickland	D30/132
D446,889 S *	8/2001	Bornhofen	D30/129
D470,631 S *	2/2003	Teufel	D30/132
2005/0045111 A1 *	3/2005	Lin	A01K 1/0356 119/61.5

1 Claim, 8 Drawing Sheets



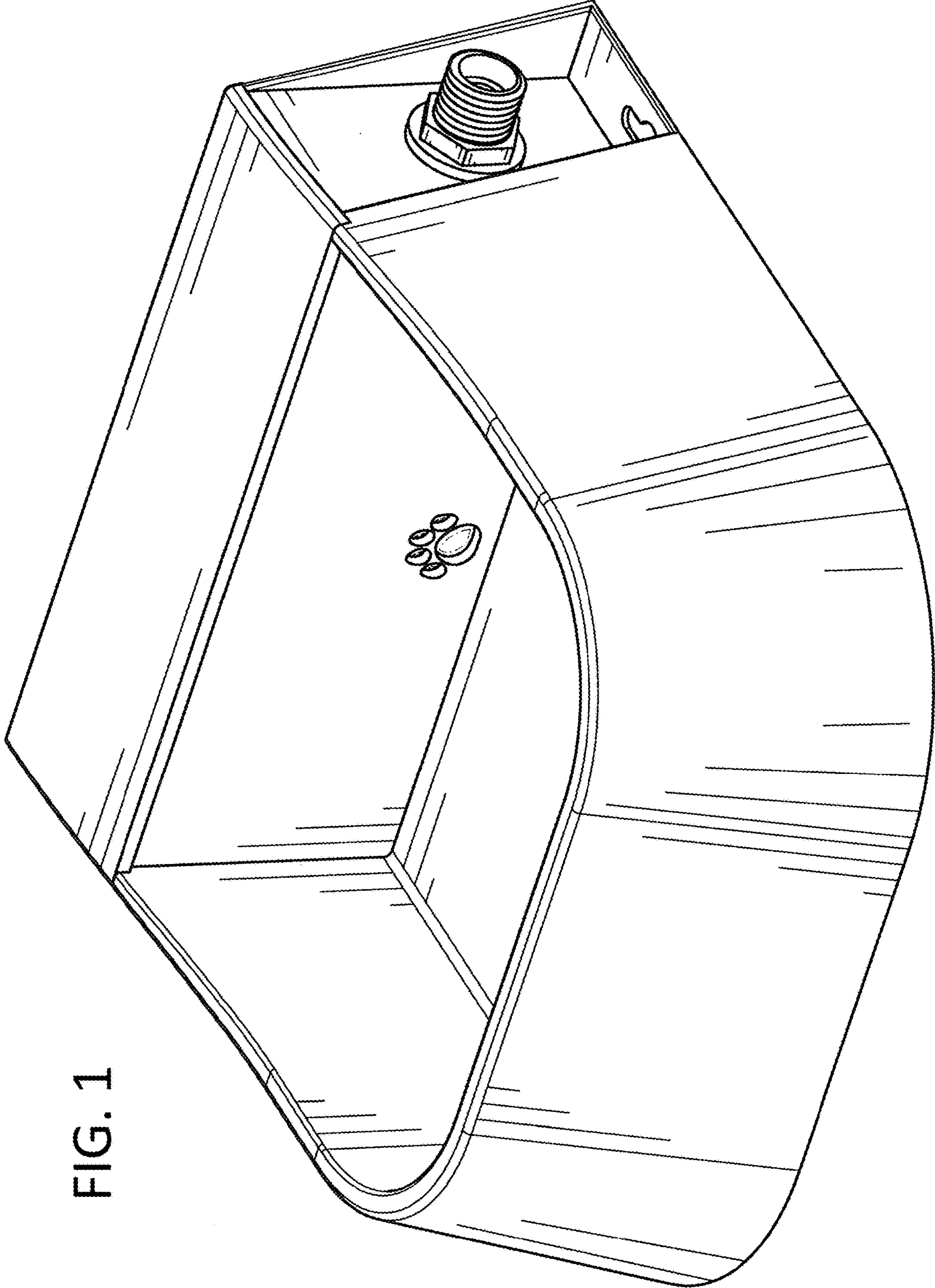


FIG. 1

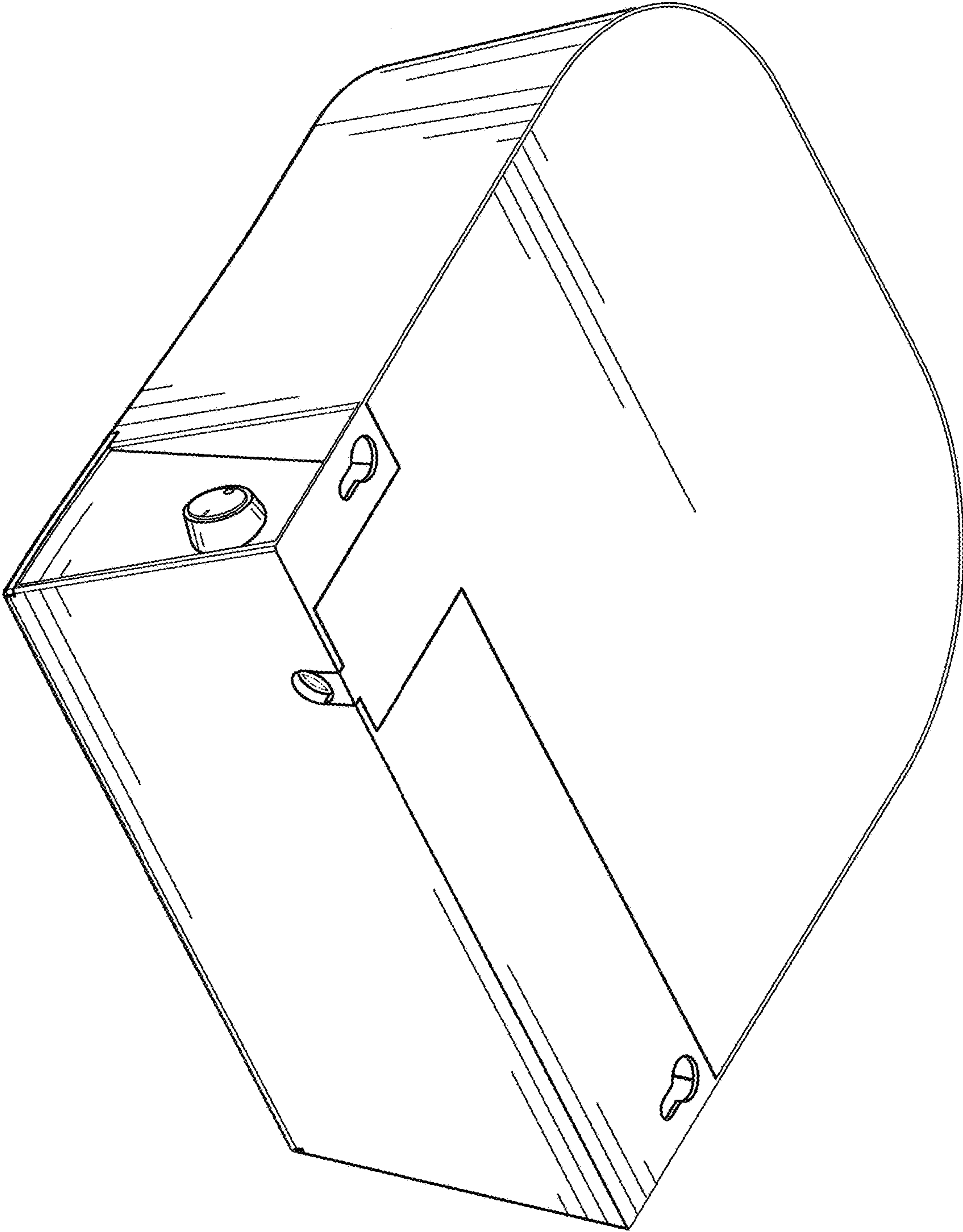


FIG. 2

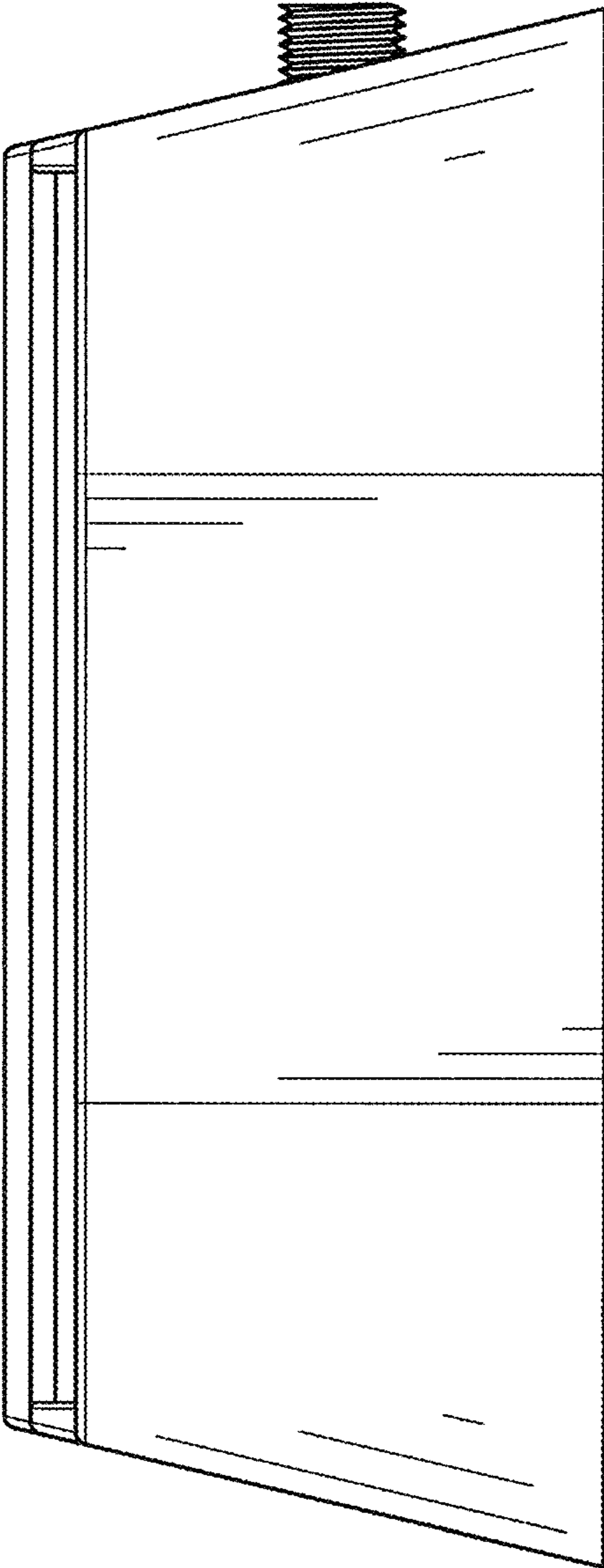


FIG. 3

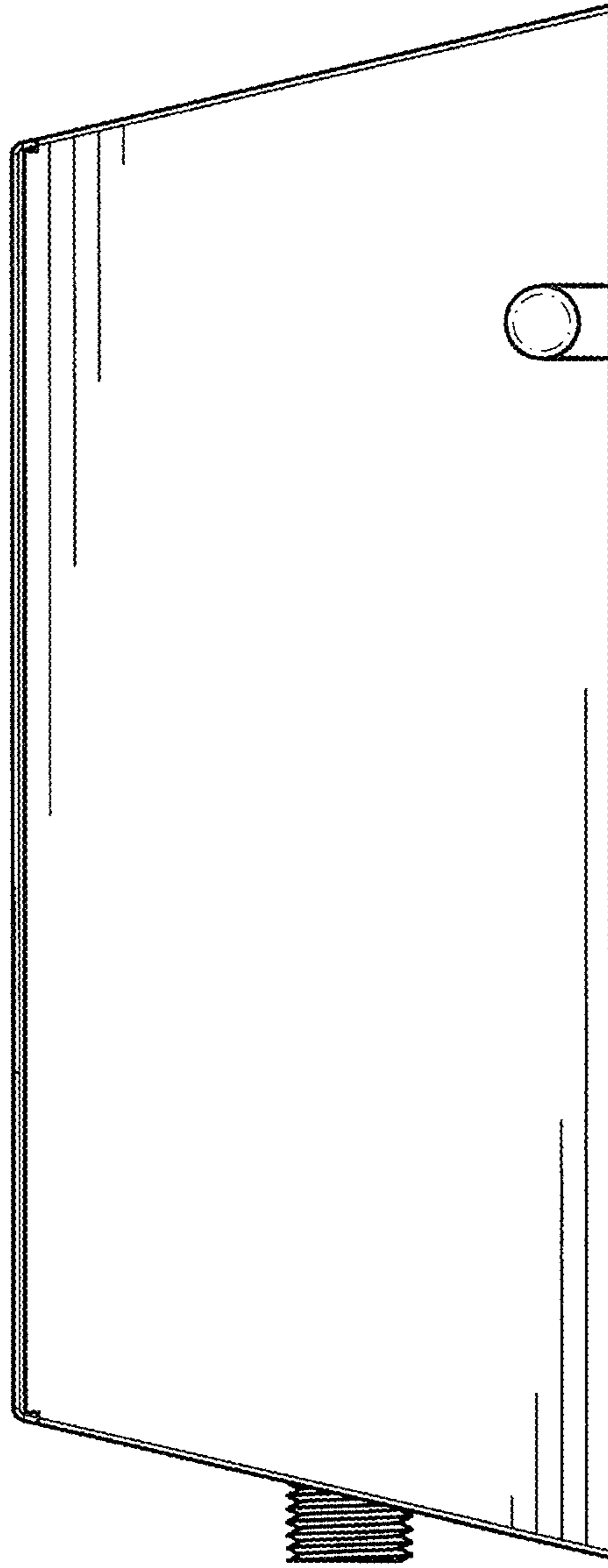


FIG. 4

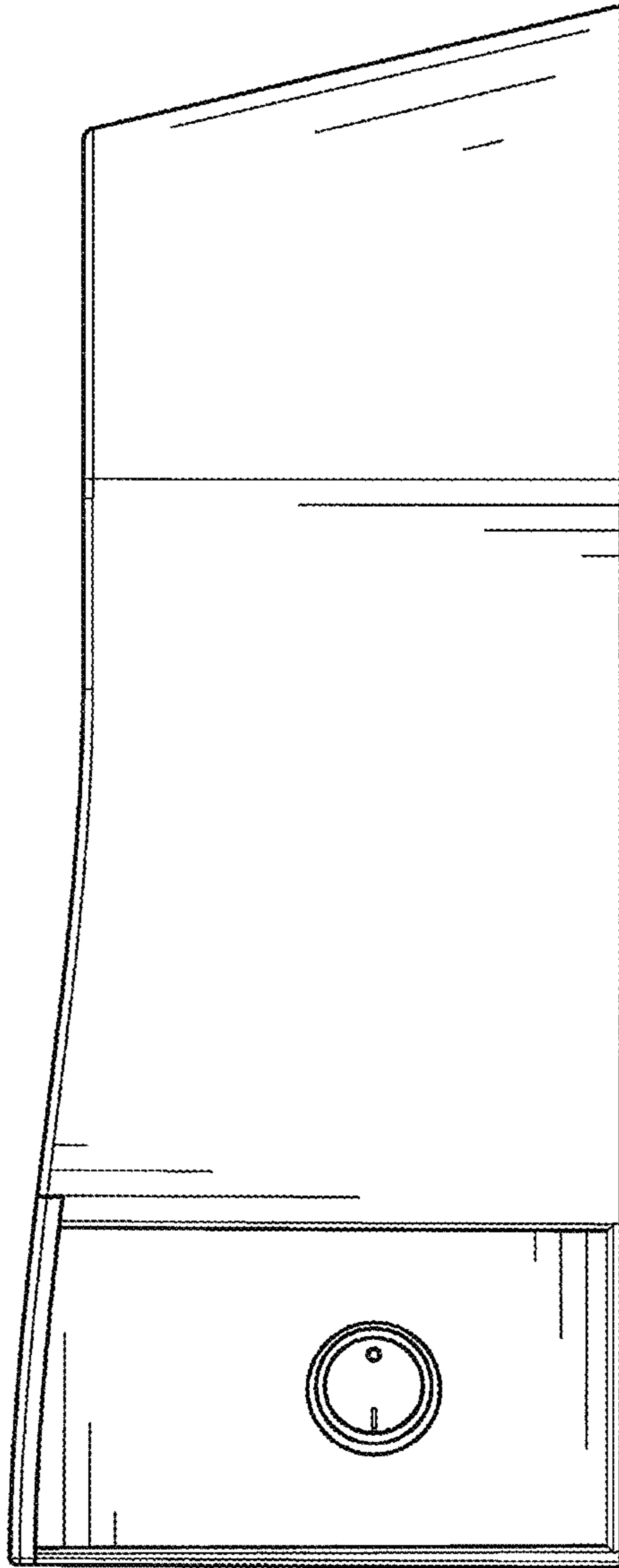


FIG. 5

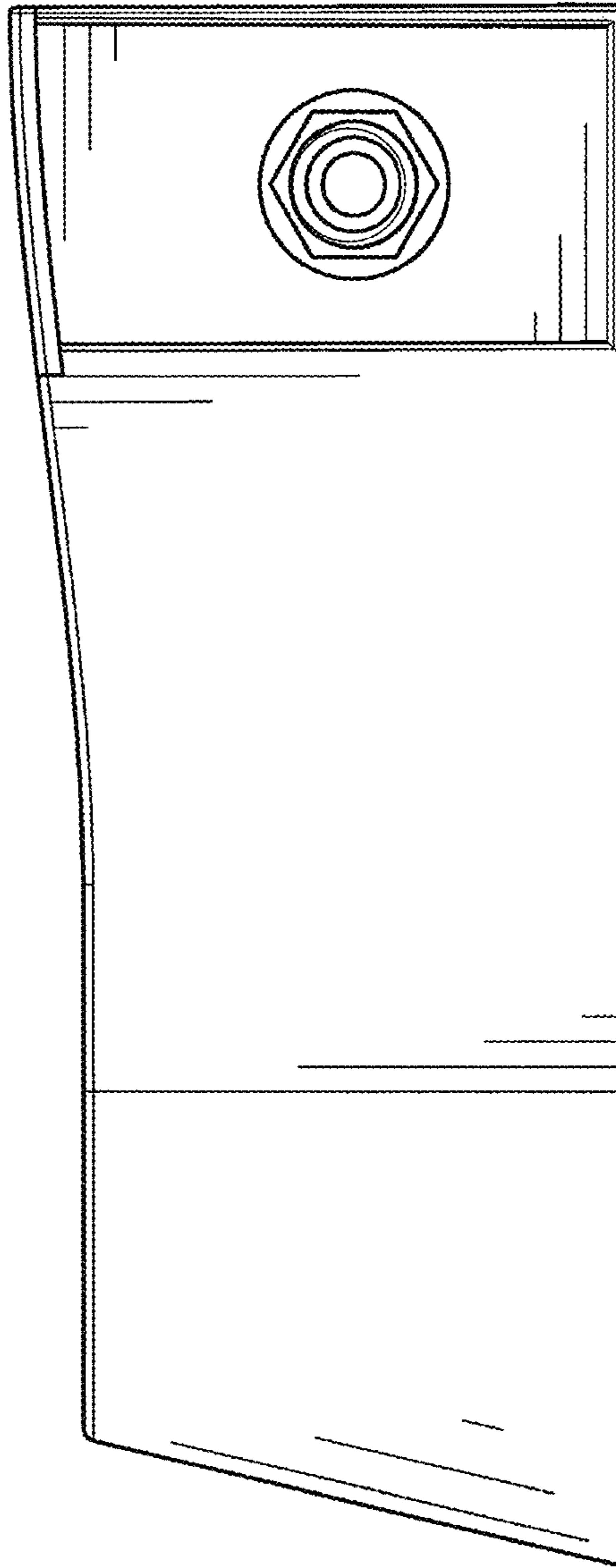


FIG. 6

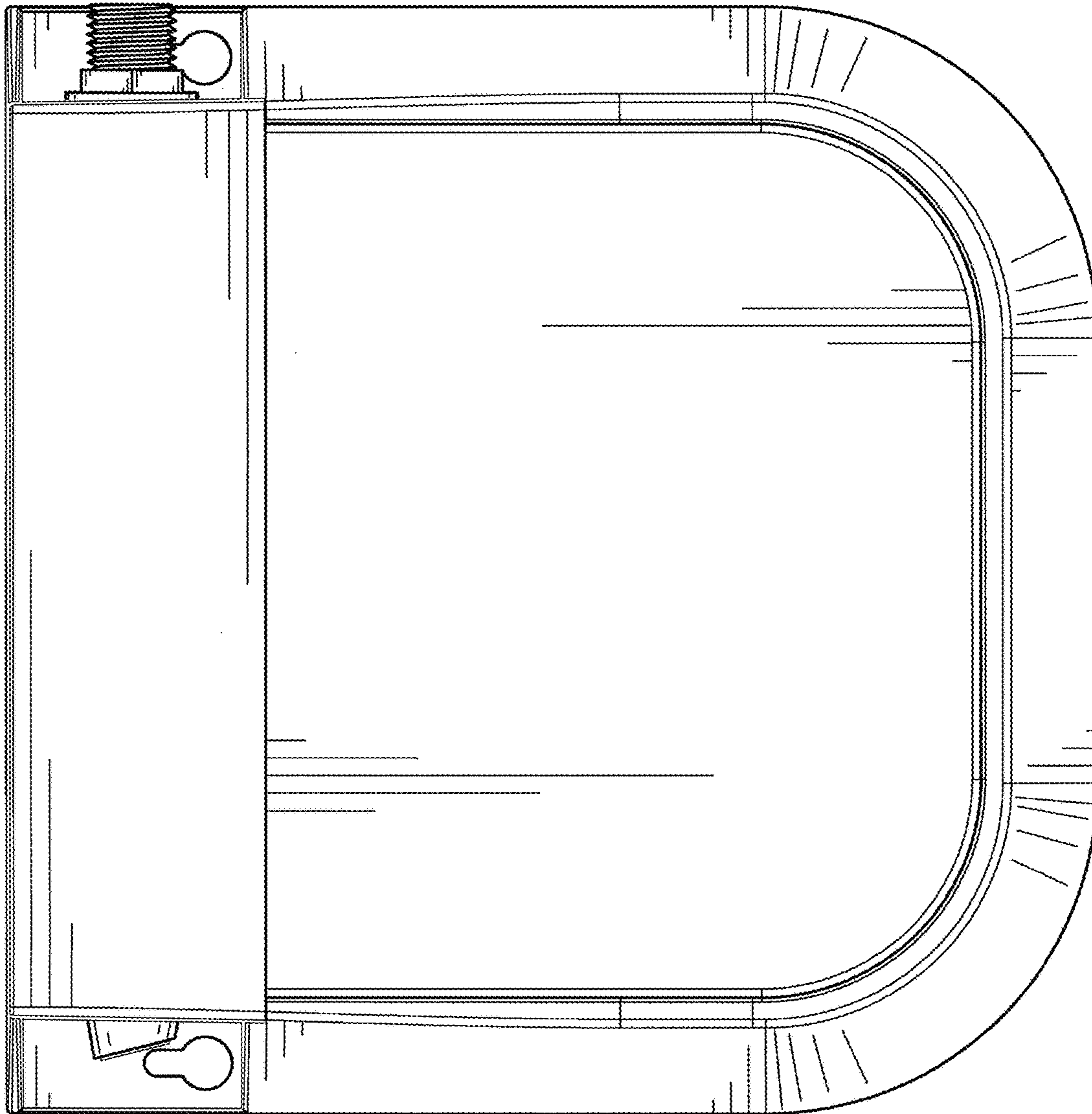


FIG. 7

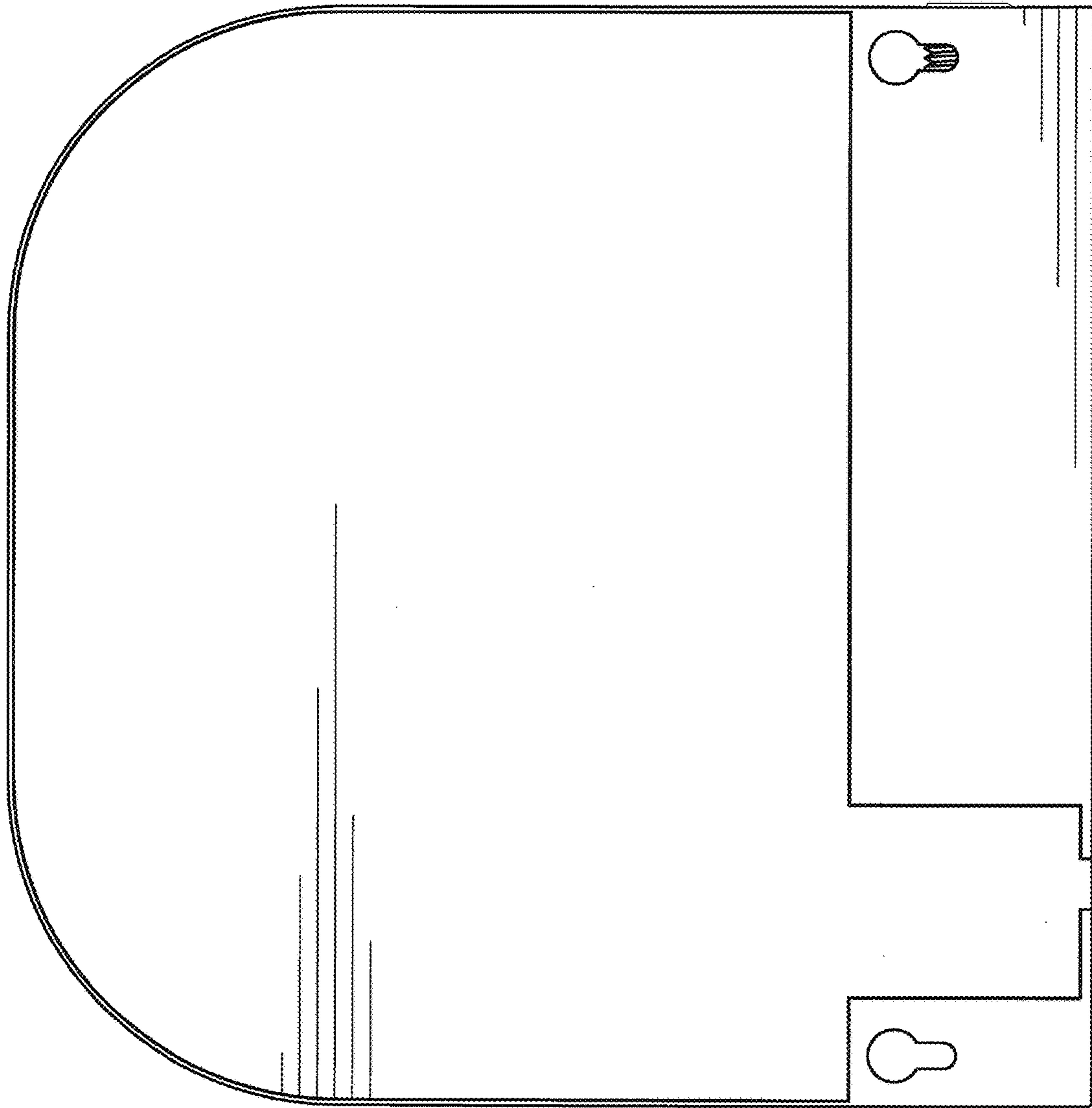


FIG. 8