



US00D930912S

(12) **United States Design Patent**
Yang et al.

(10) **Patent No.: US D930,912 S**

(45) **Date of Patent: ** Sep. 14, 2021**

(54) **WELDING FILTER**

(71) Applicant: **Ningbo Geostar Photoelectric Technology Co., Ltd., Zhejiang (CN)**

(72) Inventors: **Zhaolin Yang, Zhejiang (CN); Jianrong Zhou, Zhejiang (CN); Rongjiang Wang, Zhejiang (CN)**

(73) Assignee: **Ningbo Geostar Photoelectric Technology Co., Ltd., Ningbo (CN)**

(**) Term: **15 Years**

(21) Appl. No.: **29/644,743**

(22) Filed: **Apr. 20, 2018**

(30) **Foreign Application Priority Data**

Dec. 22, 2017 (CN) 201730662954.3

(51) **LOC (13) Cl.** **29-02**

(52) **U.S. Cl.**
USPC **D29/110; D29/122**

(58) **Field of Classification Search**
USPC D15/144, 144.1, 144.2; D29/100, 101.1, D29/102, 104-110, 122
CPC .. A61F 9/06; A61F 9/061; A61F 9/065; A61F 9/067; A62B 18/02
See application file for complete search history.

(56) **References Cited**

U.S. PATENT DOCUMENTS

- D347,644 S * 6/1994 Bezdicek D15/144
- D349,588 S * 8/1994 Howard D15/144.1
- D353,692 S * 12/1994 Ferguson D16/134
- D360,708 S * 7/1995 Palmaer D29/104
- D597,709 S * 8/2009 Juhlin D29/122
- D601,304 S * 9/2009 McClellan D29/100
- D604,911 S * 11/2009 Juhlin D29/122
- D616,155 S * 5/2010 Juhlin D29/122

- D661,841 S * 6/2012 Klotz D29/109
- D662,261 S * 6/2012 Klotz D29/109
- D678,619 S * 3/2013 Jackson D29/110

(Continued)

Primary Examiner — Michael C Stout
Assistant Examiner — Fritzgerald L Butac

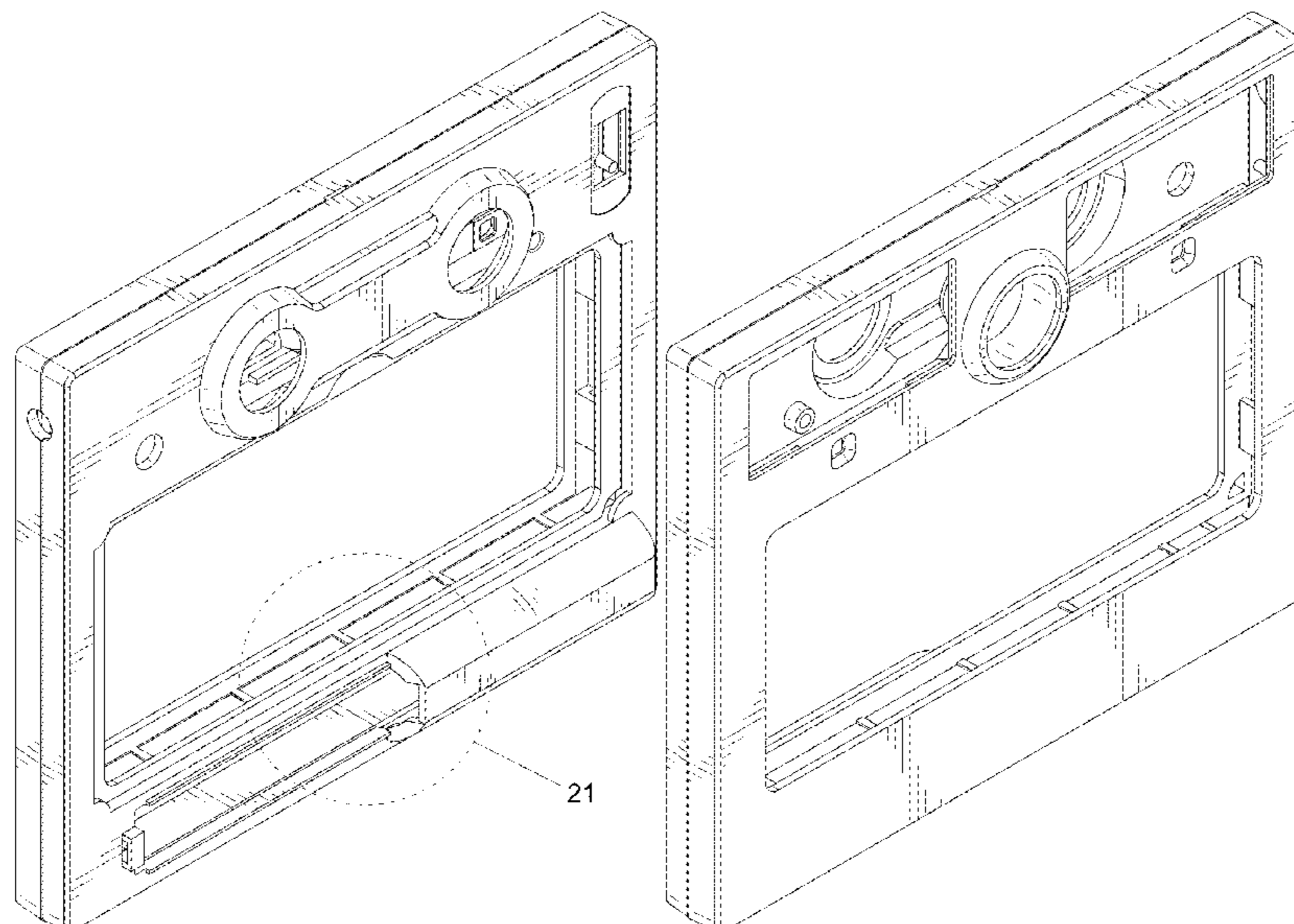
(57) **CLAIM**

The ornamental design for a welding filter, as shown and described.

DESCRIPTION

FIG. 1 is a front elevational view of a welding filter showing our new design;
 FIG. 2 is a rear elevational view thereof;
 FIG. 3 is a left side view thereof;
 FIG. 4 is a right side view thereof;
 FIG. 5 is a top plan view thereof;
 FIG. 6 is a bottom plan view thereof;
 FIG. 7 is a top, front and right side perspective view thereof;
 FIG. 8 is a top, front and left side perspective view thereof;
 FIG. 9 is a top, rear and left side perspective view thereof;
 FIG. 10 is a top, rear and right side perspective view thereof;
 FIG. 11 is an enlarged view of portion 11 in FIG. 1;
 FIG. 12 is an enlarged view of portion 12 in FIG. 2;
 FIG. 13 is an enlarged view of portion 13 in FIG. 3;
 FIG. 14 is an enlarged view of portion 14 in FIG. 4;
 FIG. 15 is an enlarged view of portion 15 in FIG. 5;
 FIG. 16 is an enlarged view of portion 16 in FIG. 6;
 FIG. 17 is an enlarged view of portion 17 in FIG. 7;
 FIG. 18 is an enlarged view of portion 18 in FIG. 7;
 FIG. 19 is an enlarged view of portion 19 in FIG. 7;
 FIG. 20 is an enlarged view of portion 20 in FIG. 7;
 FIG. 21 is an enlarged view of portion 21 in FIG. 8;
 FIG. 22 is an enlarged view of portion 22 in FIG. 9; and,
 FIG. 23 is an enlarged view of portion 23 in FIG. 9.

1 Claim, 23 Drawing Sheets



(56)

References Cited

U.S. PATENT DOCUMENTS

D679,869 S *	4/2013	Kim	D29/122
D683,502 S *	5/2013	Jackson	D29/110
D683,906 S *	6/2013	Jackson	D29/110
D816,746 S *	5/2018	Liu	D15/144
D841,896 S *	2/2019	Wu	D29/122
D848,077 S *	5/2019	Rosca	D29/122
D874,413 S *	2/2020	Hart	D13/182
D877,988 S *	3/2020	Huh	D29/122
2019/0083316 A1 *	3/2019	Yang	F21L 4/08

* cited by examiner

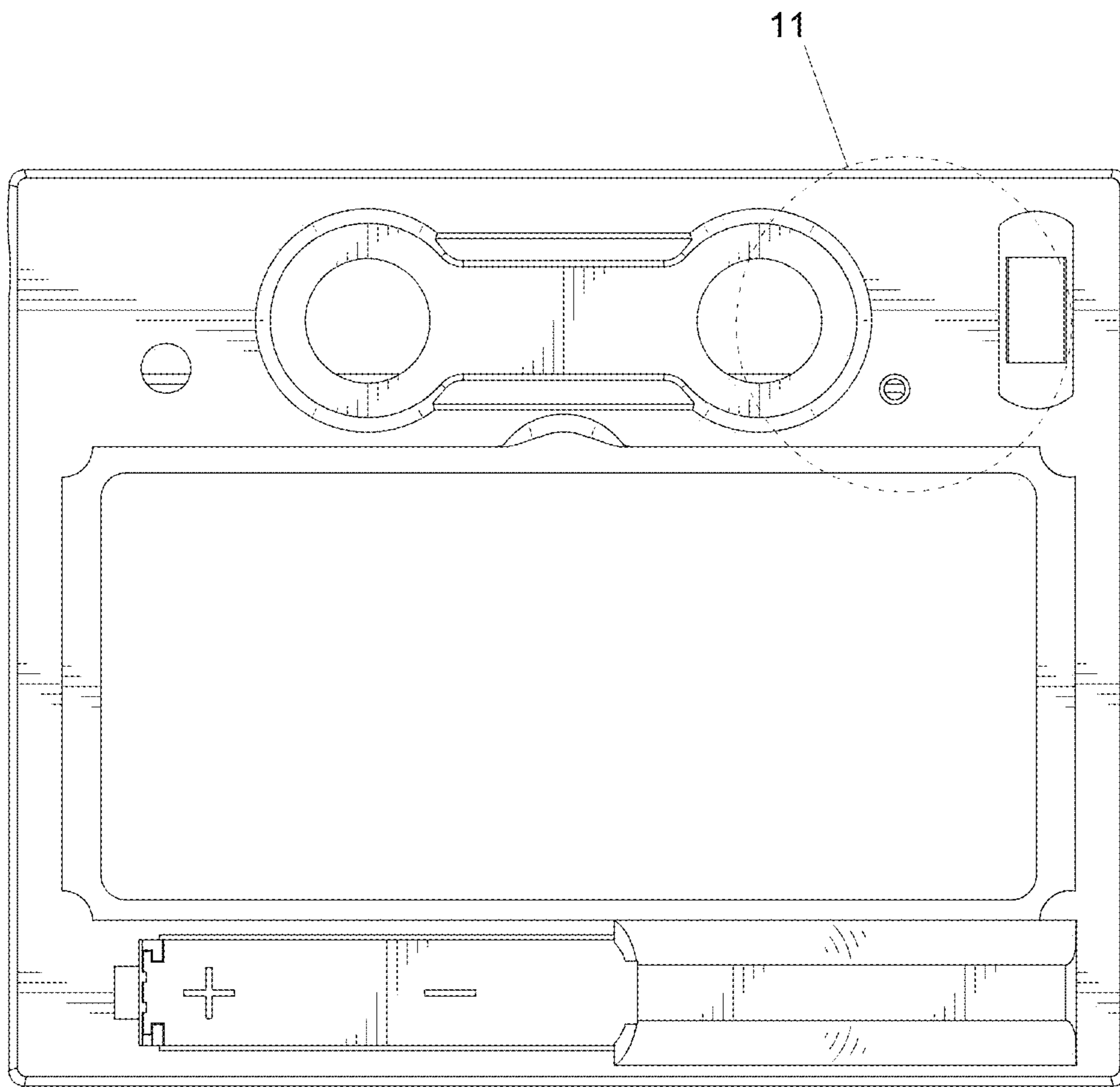


FIG.1

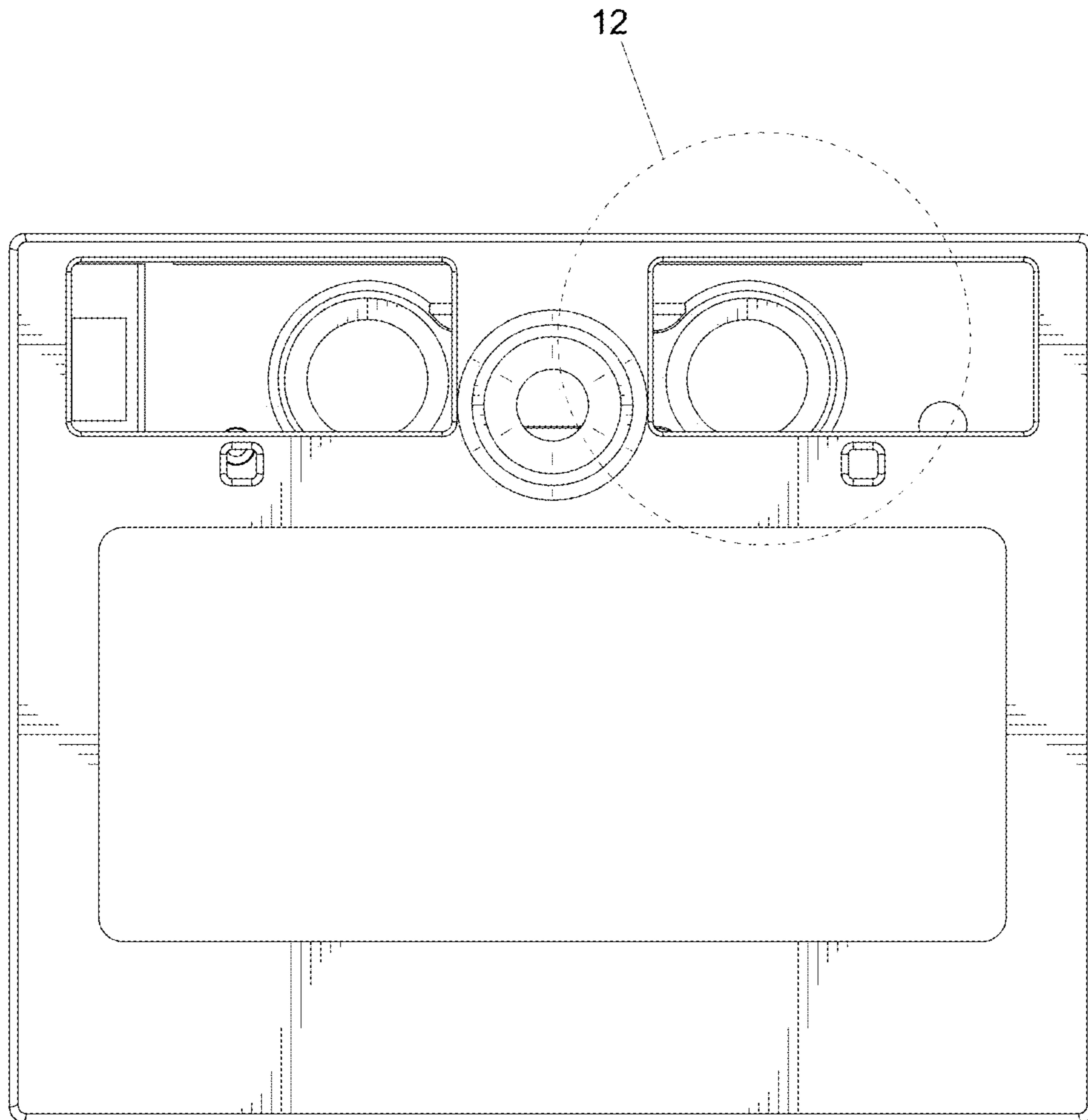


FIG.2

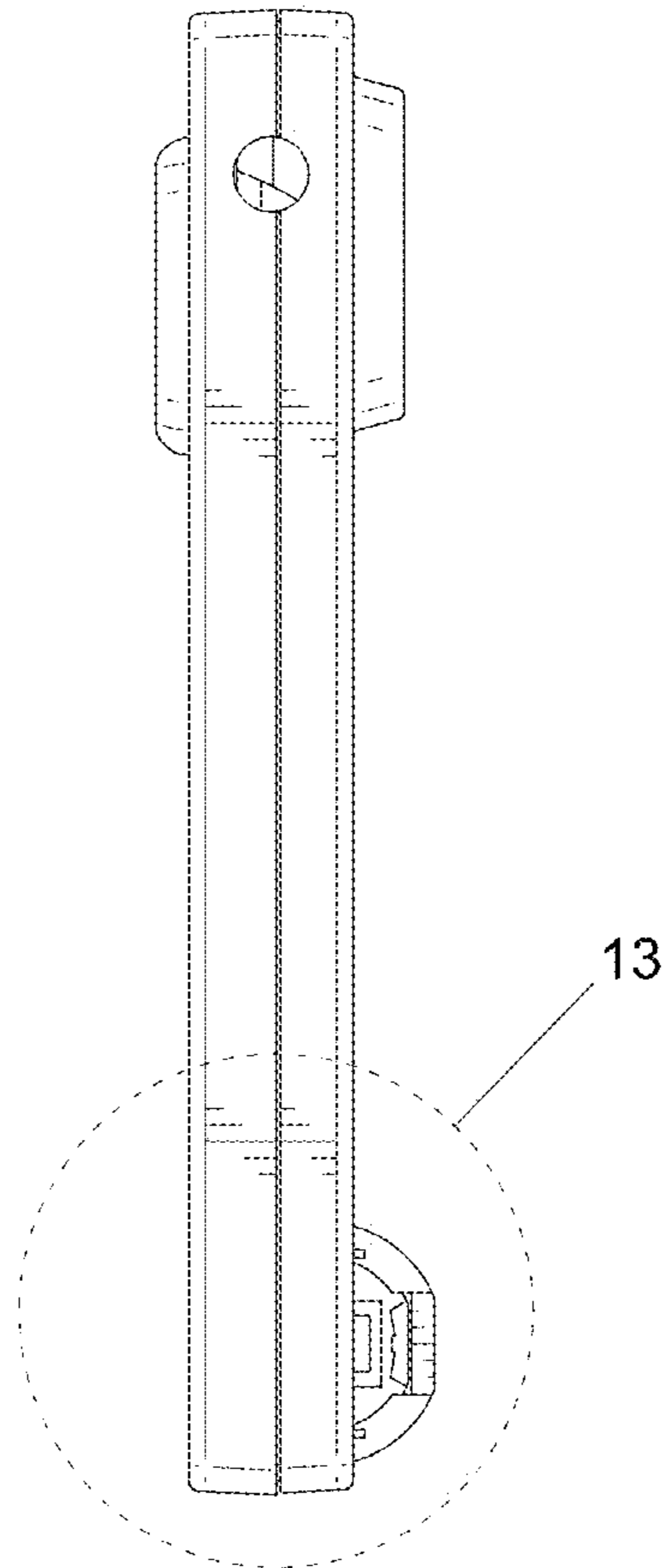


FIG.3

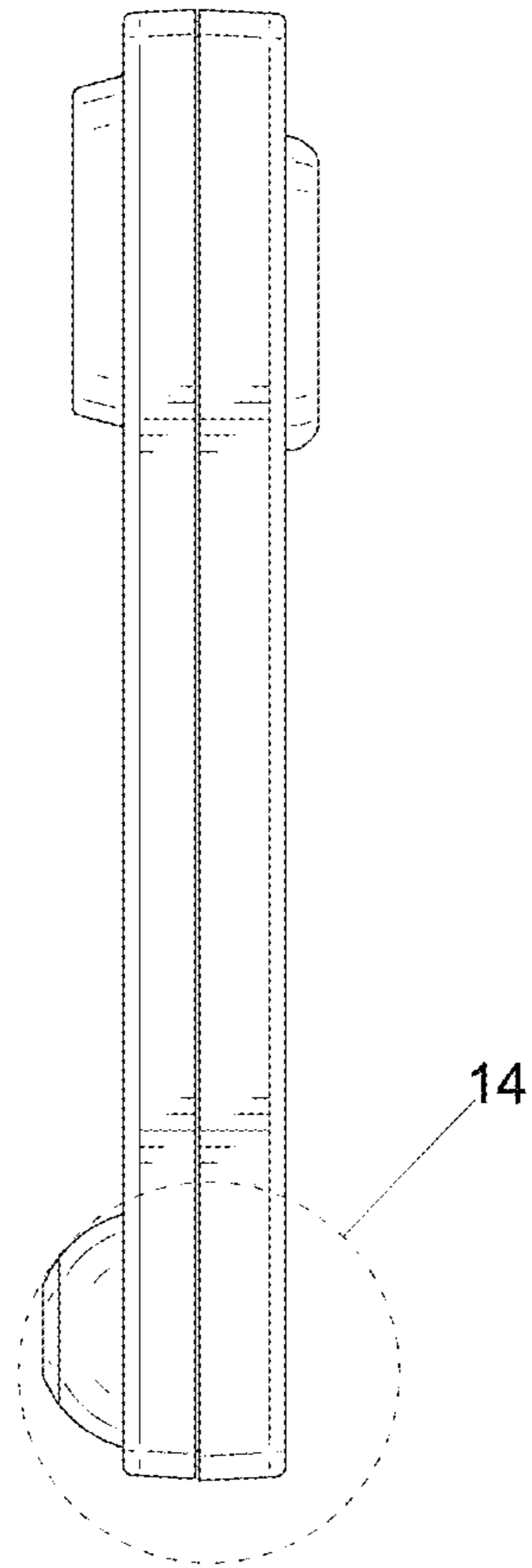


FIG.4

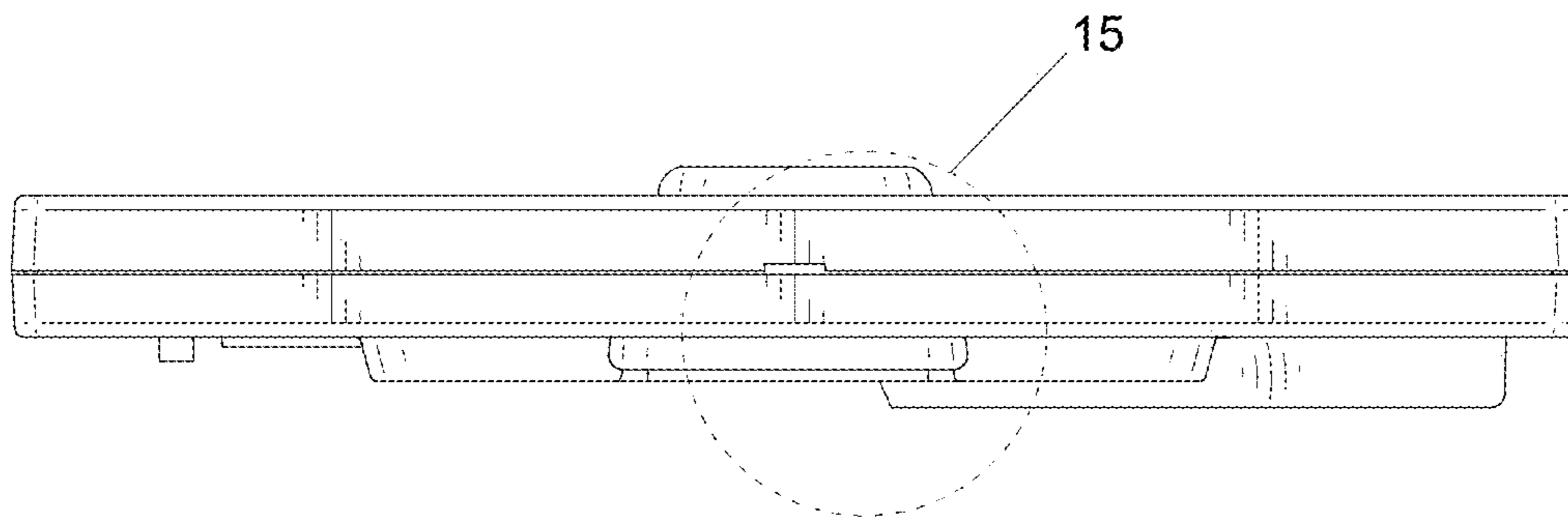


FIG.5

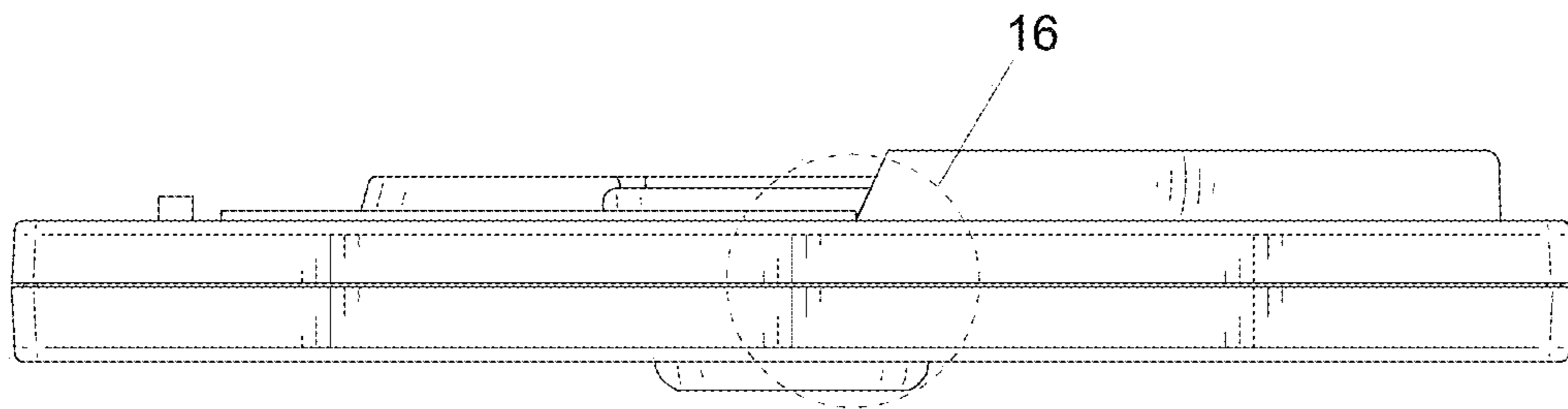


FIG.6

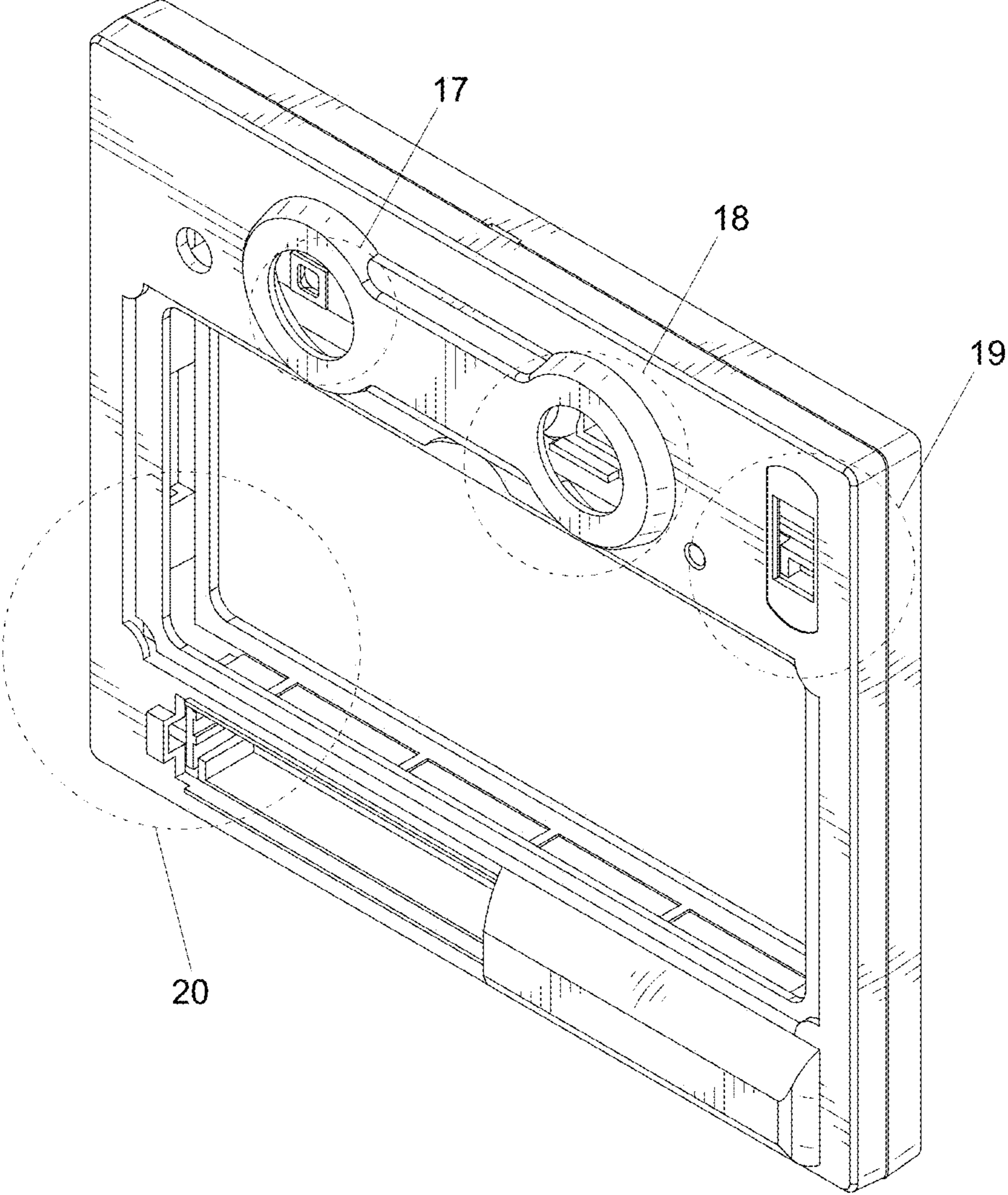


FIG.7

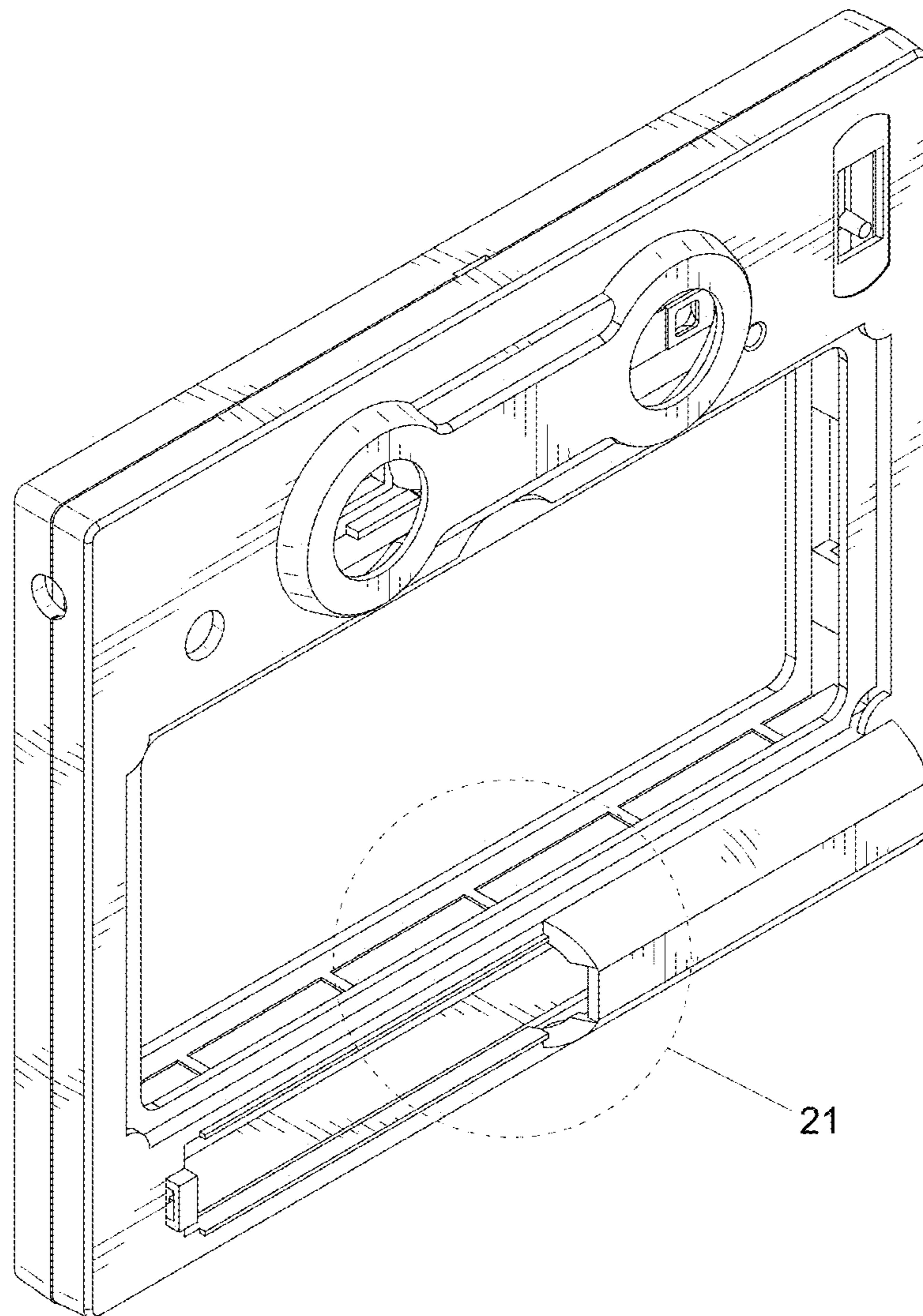


FIG.8

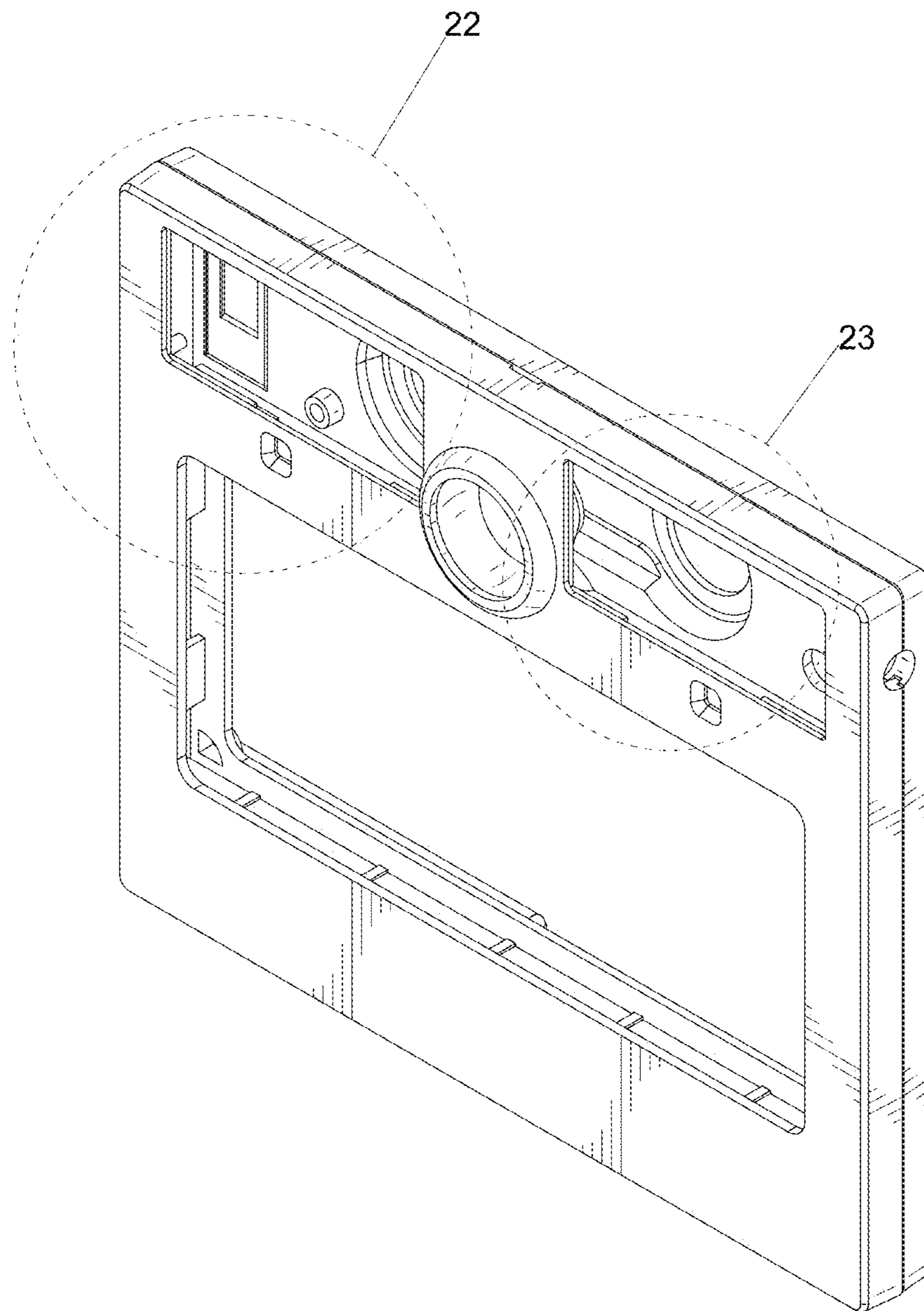


FIG.9

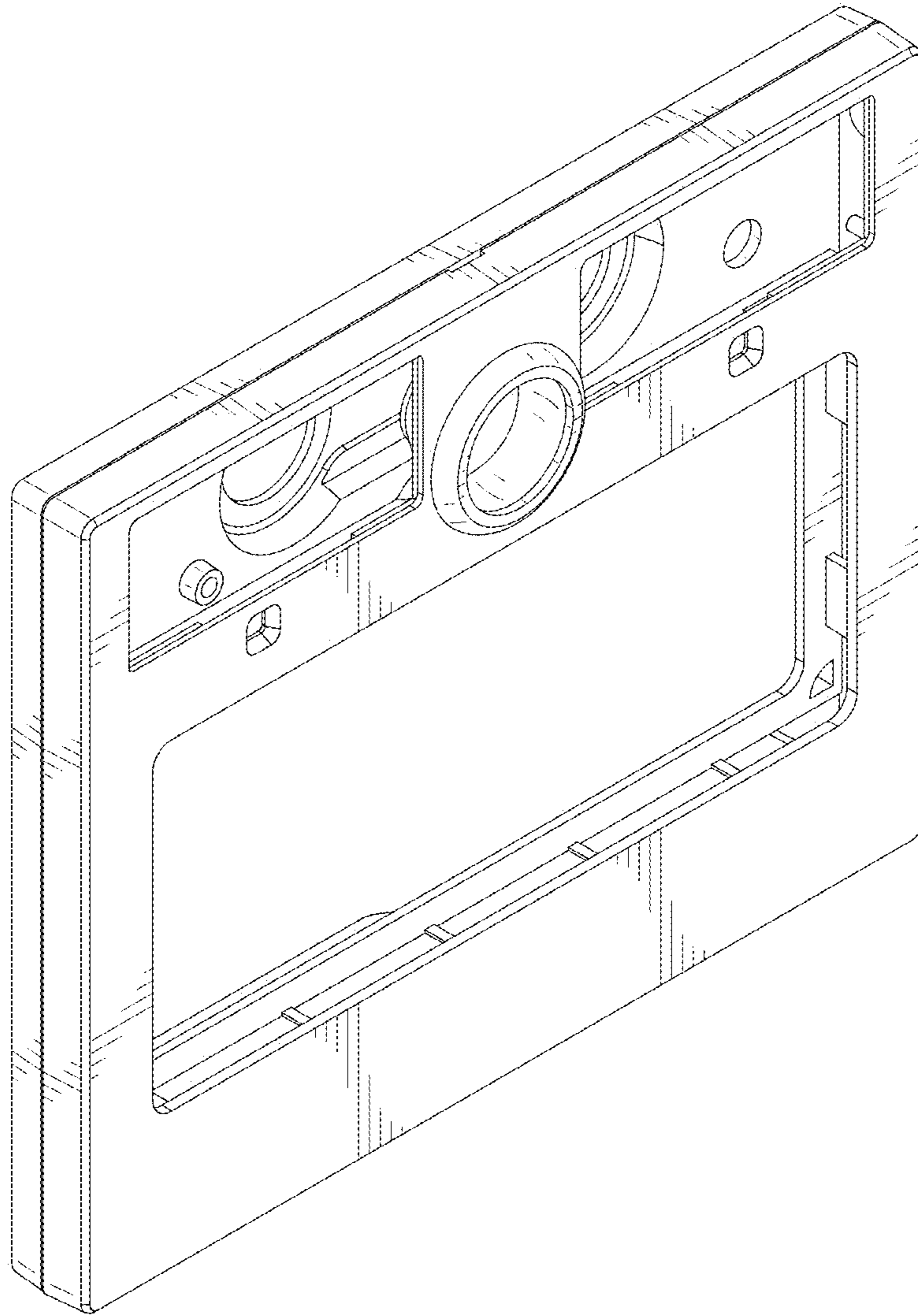


FIG.10

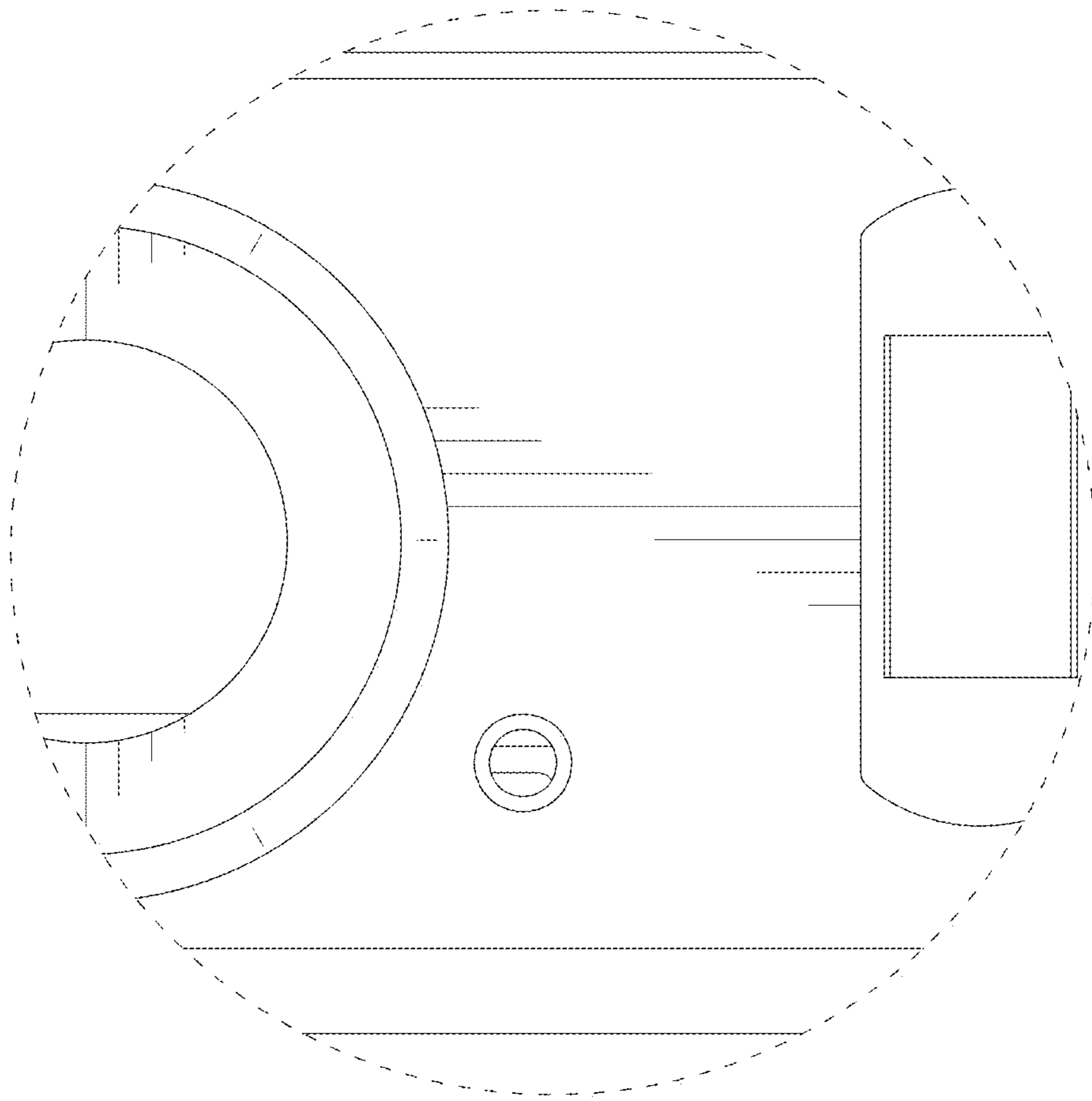


FIG.11

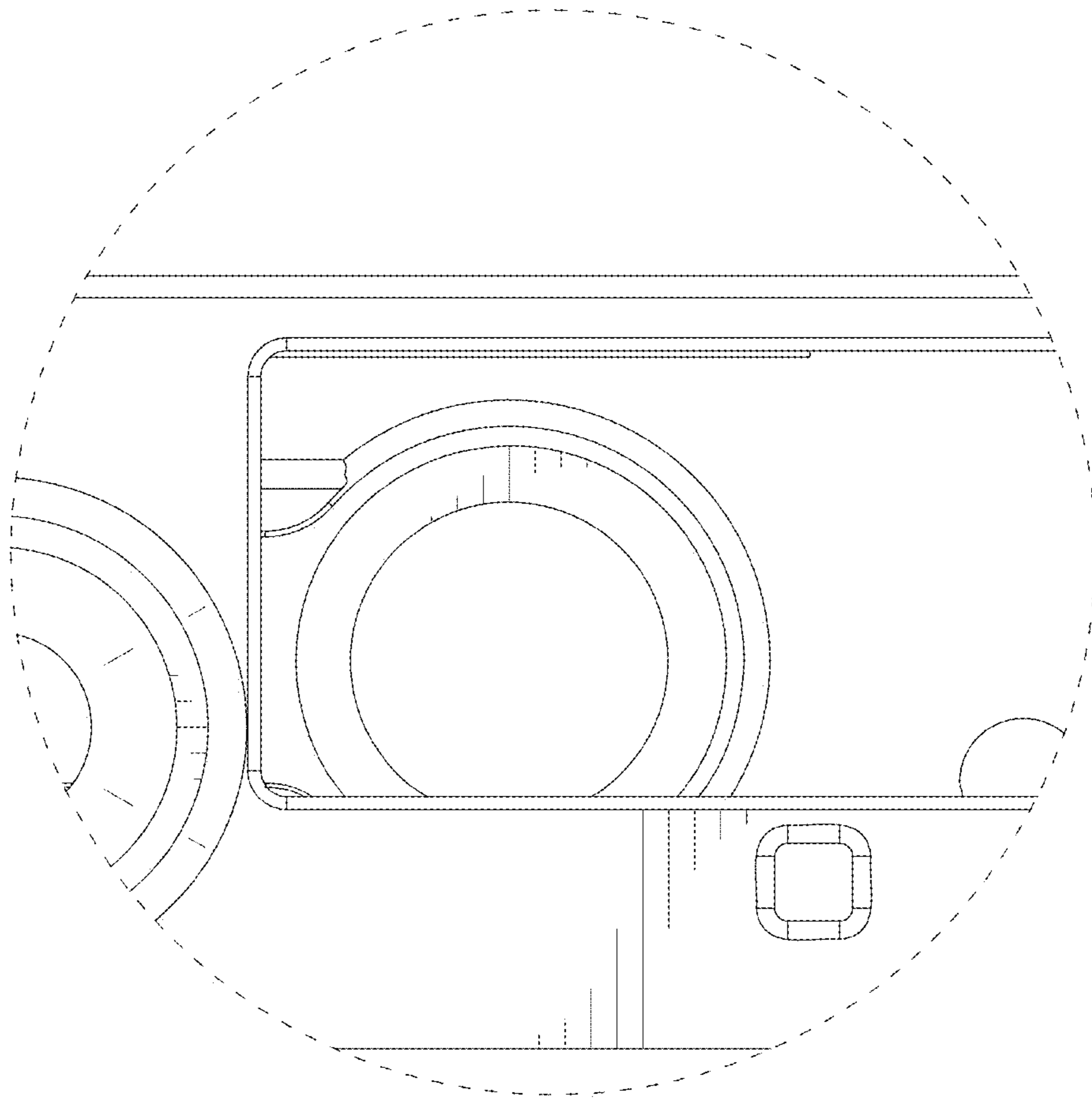


FIG.12

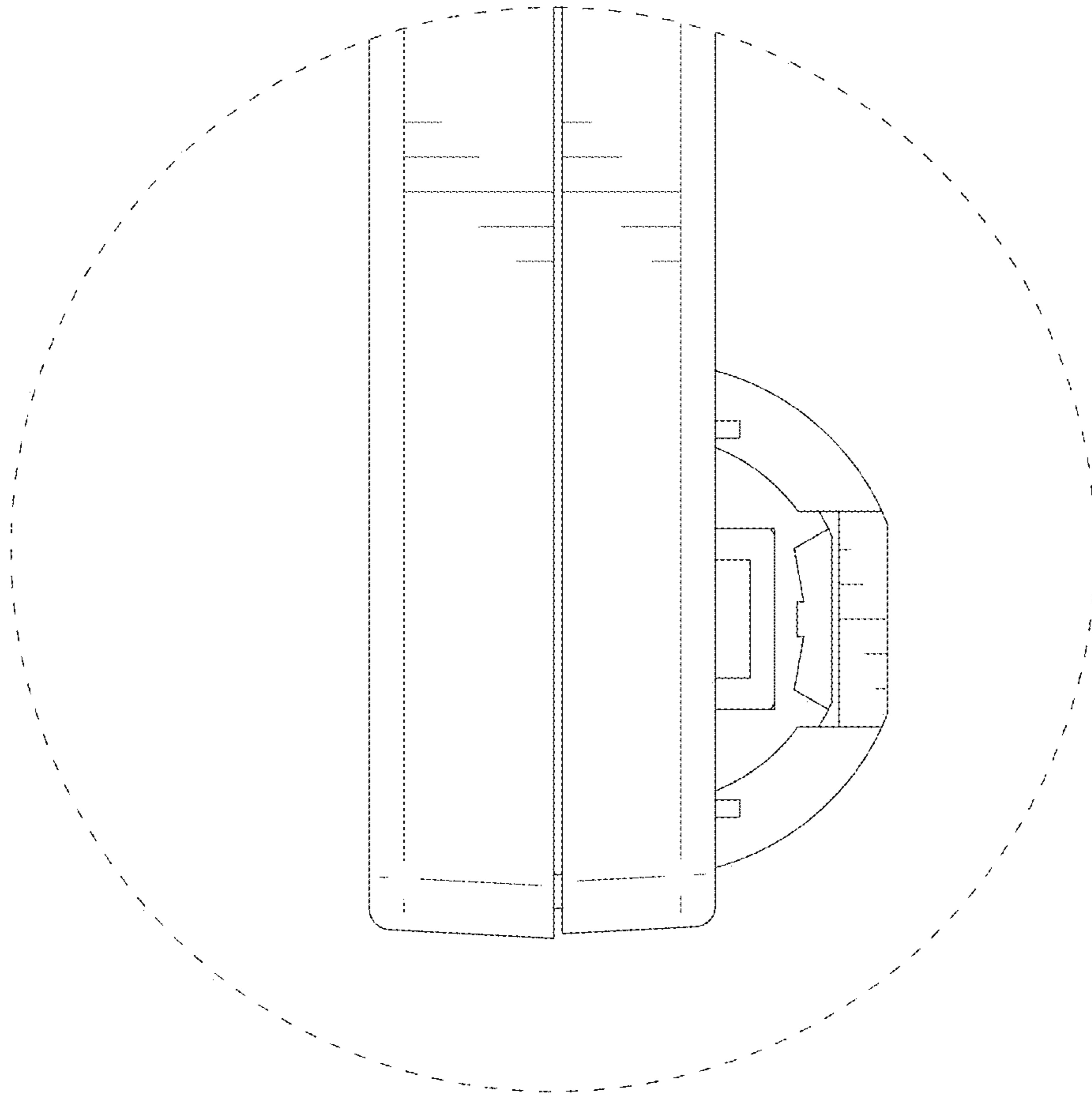


FIG.13

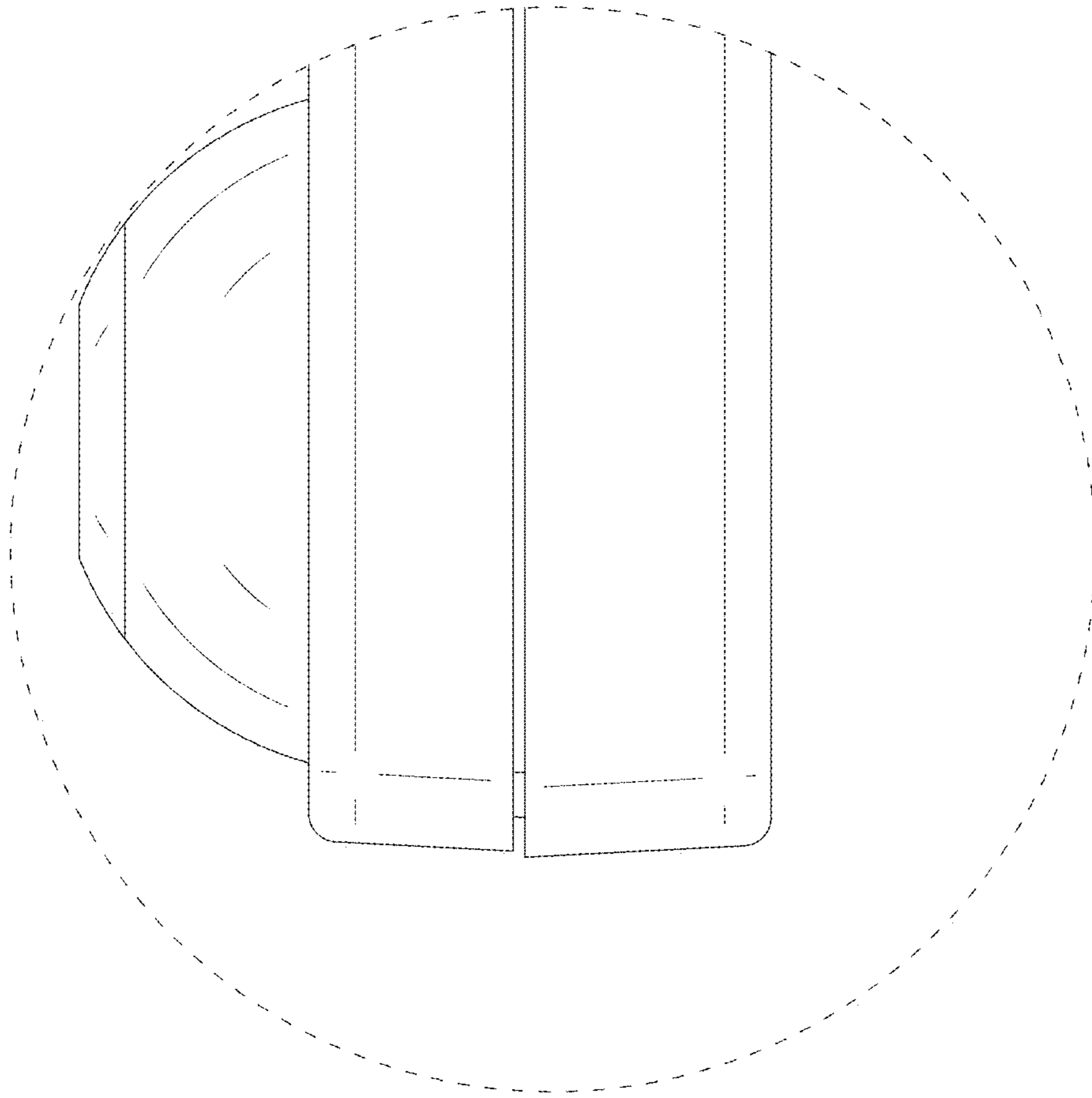


FIG.14

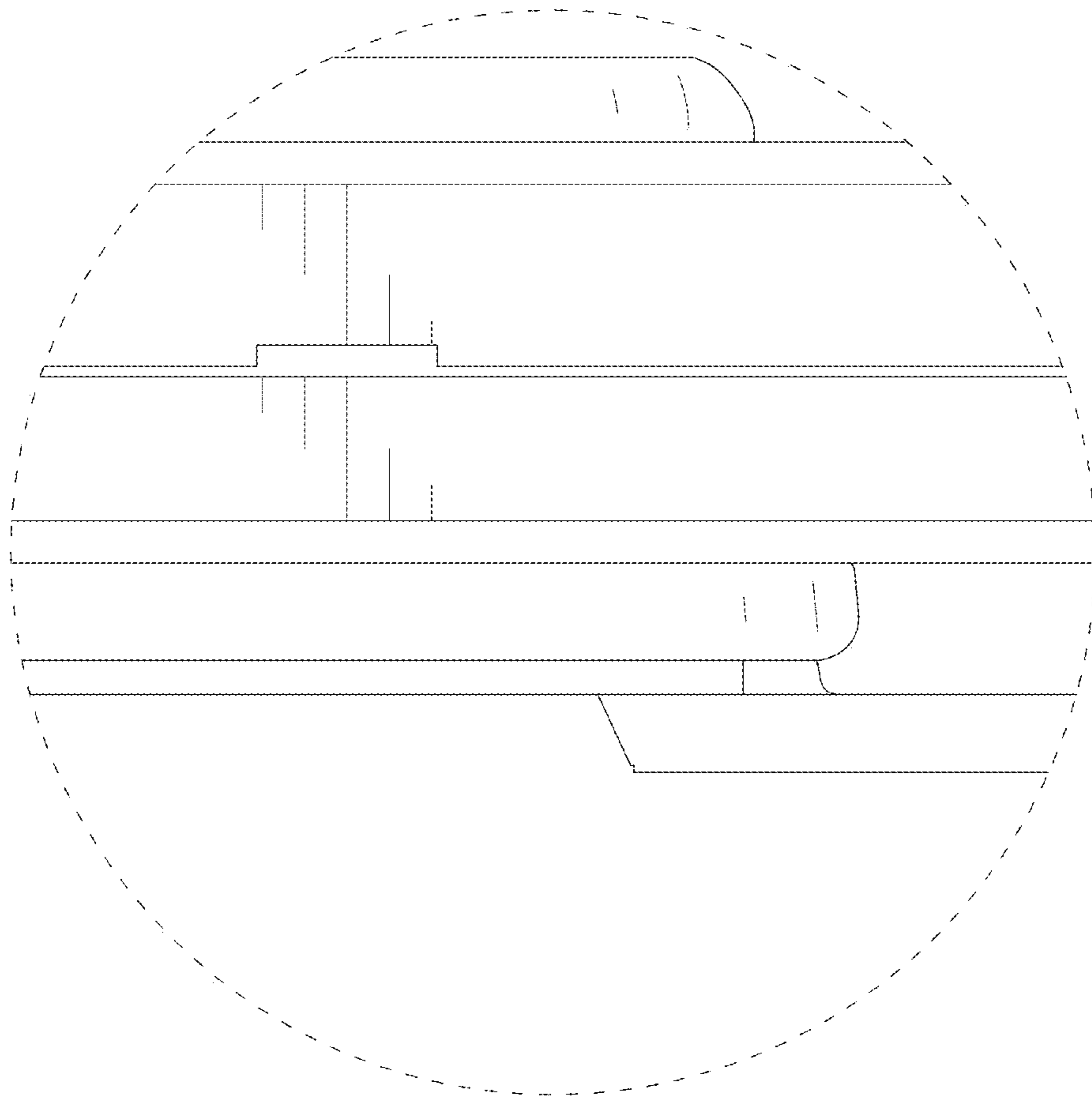


FIG.15

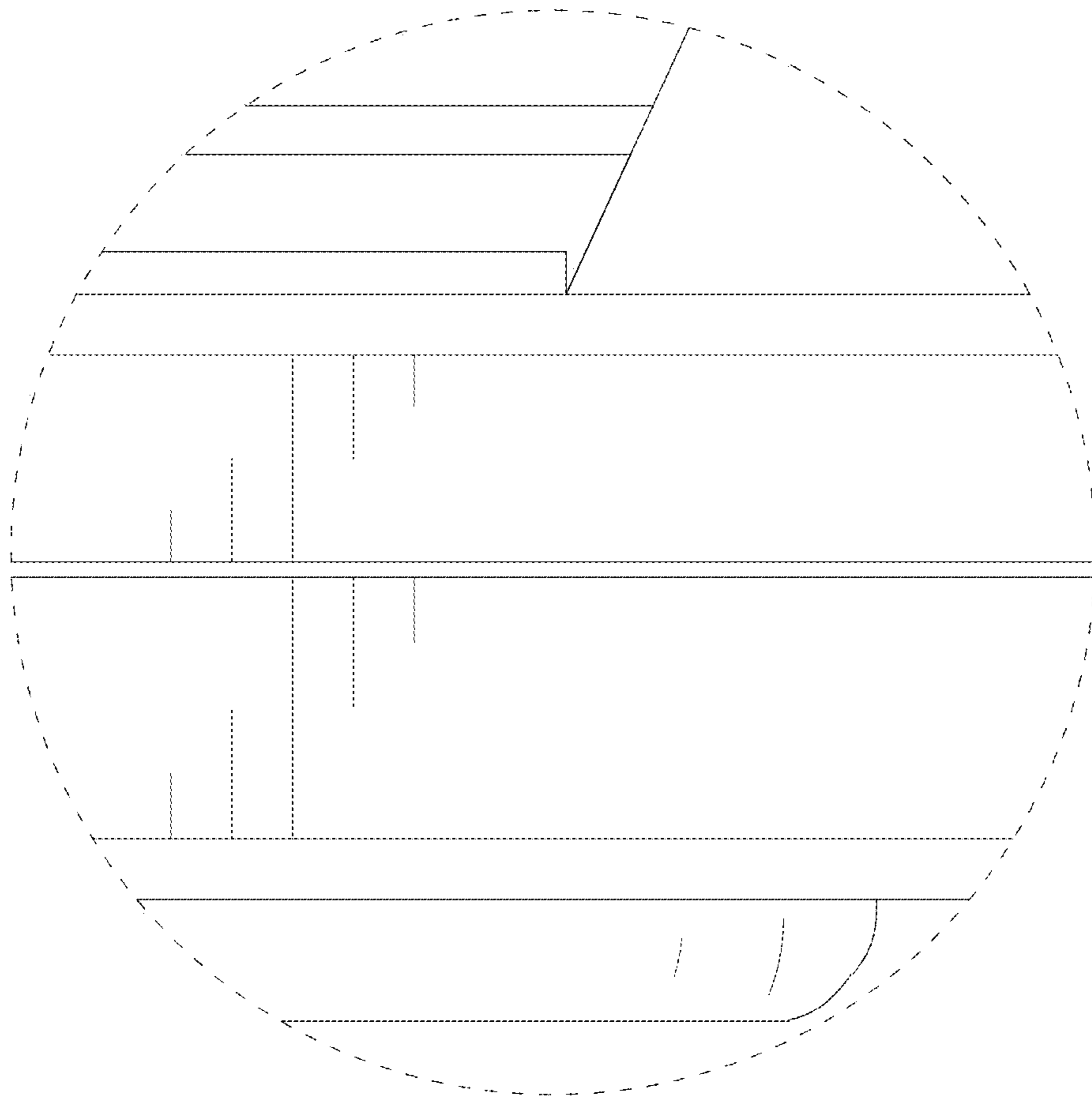


FIG.16

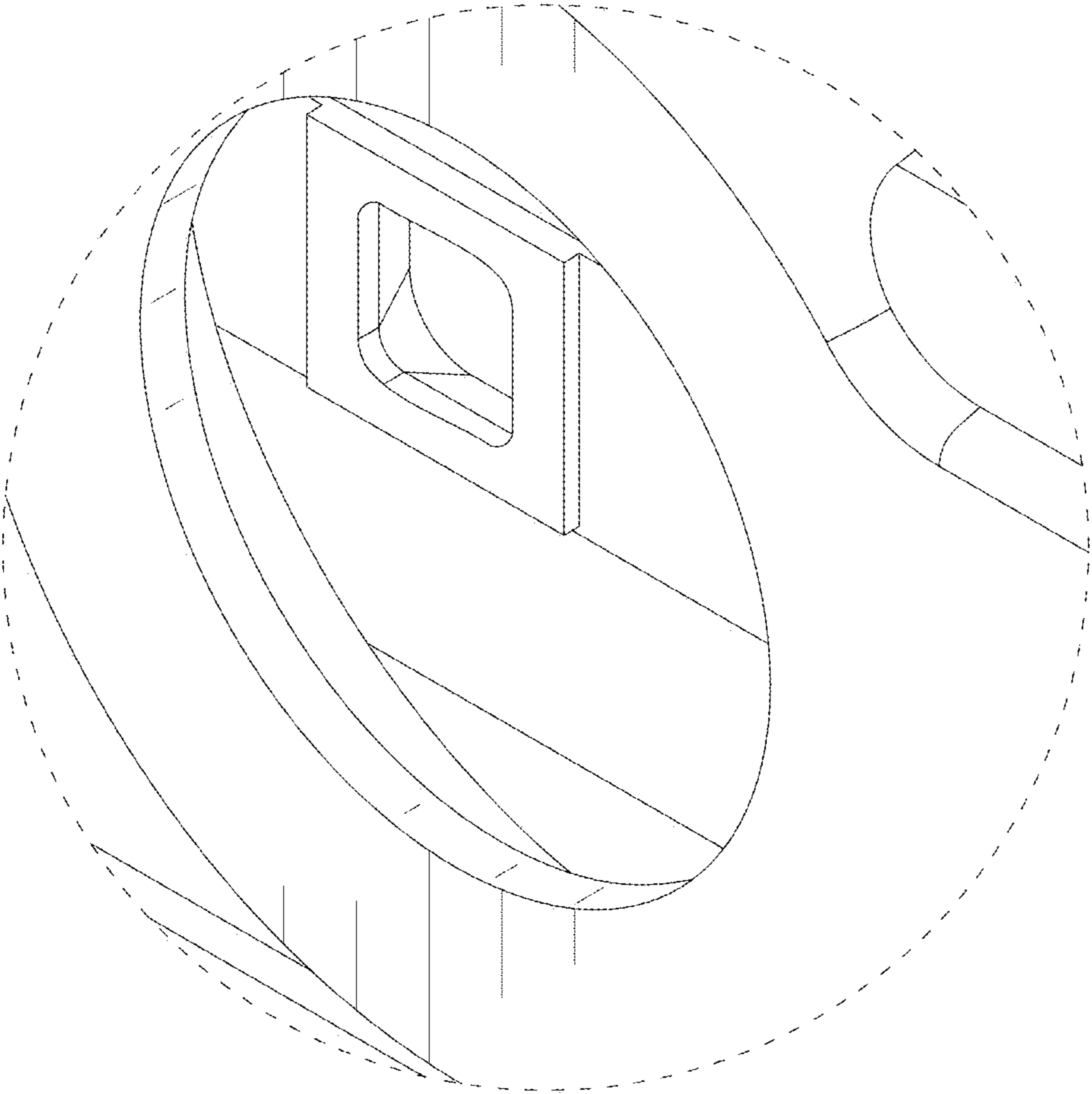


FIG.17

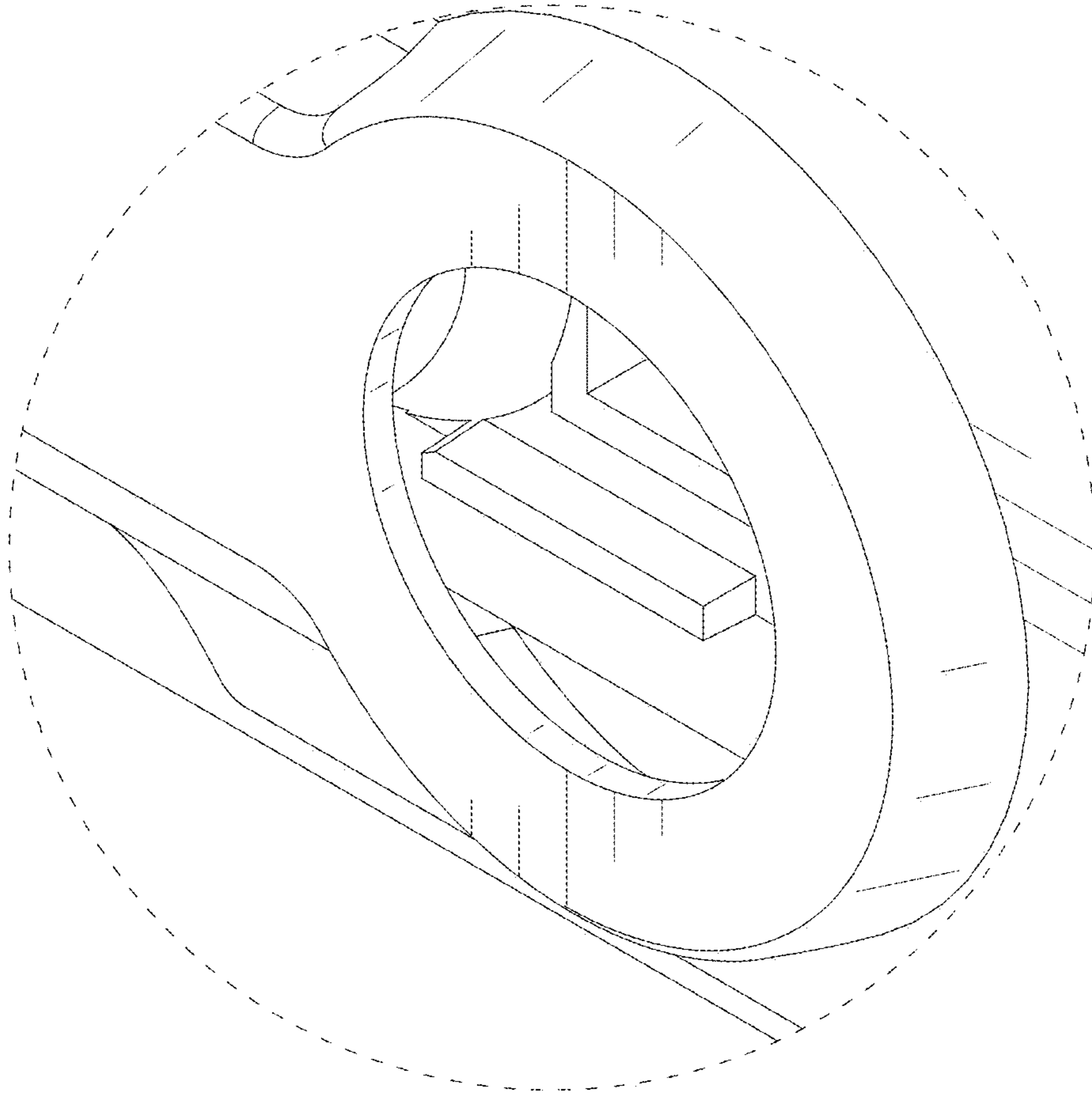


FIG.18

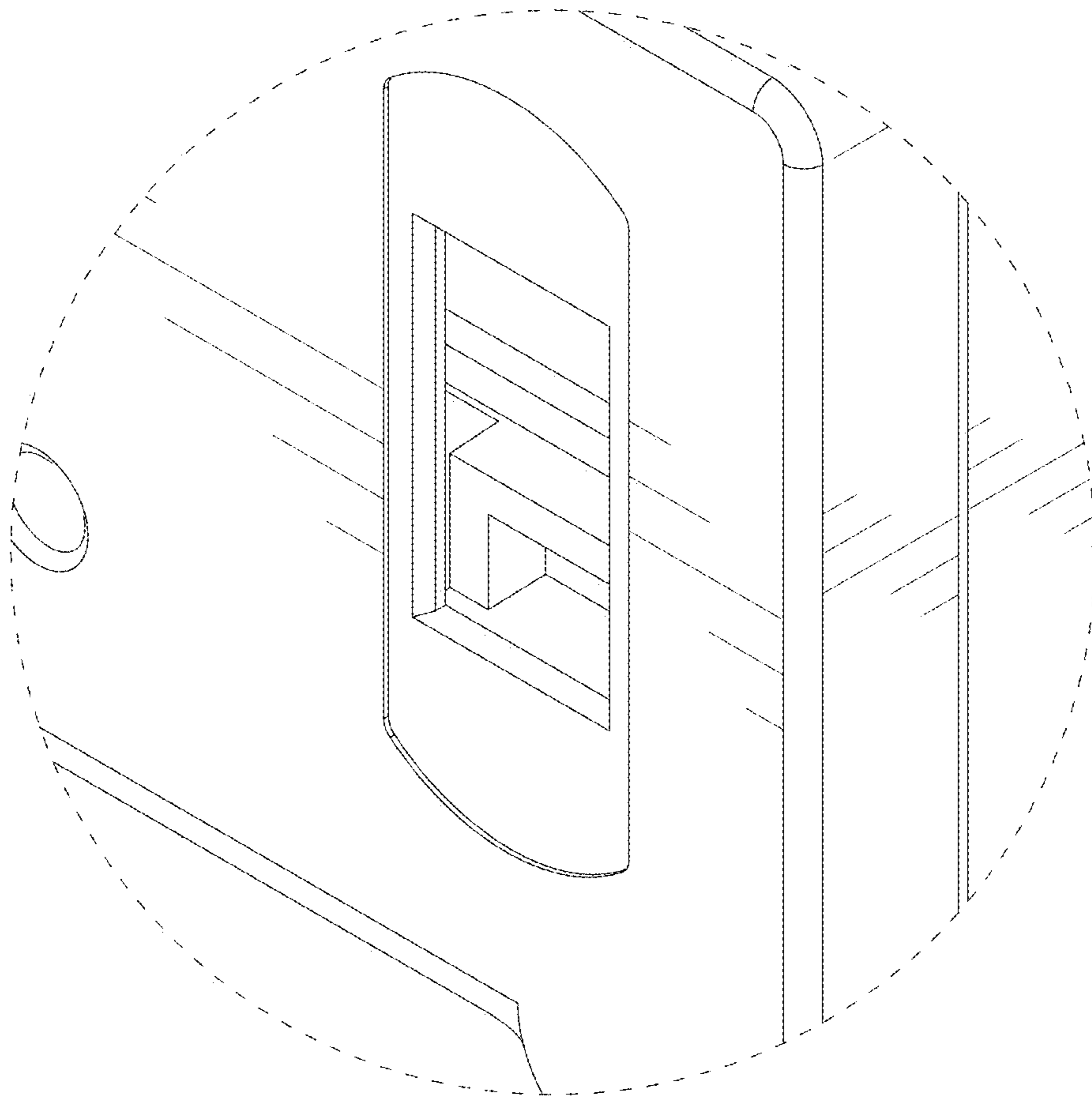


FIG.19

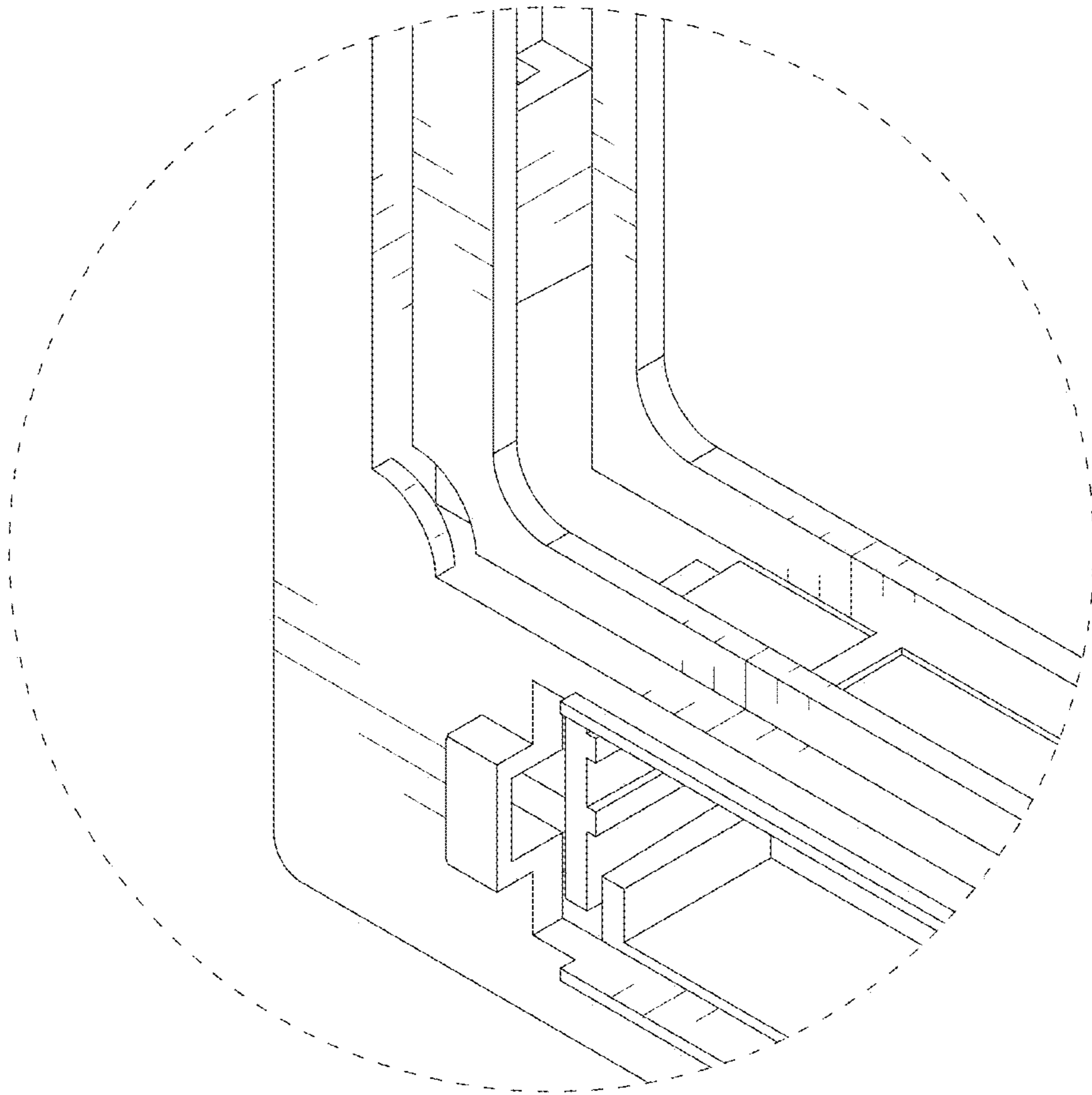


FIG.20

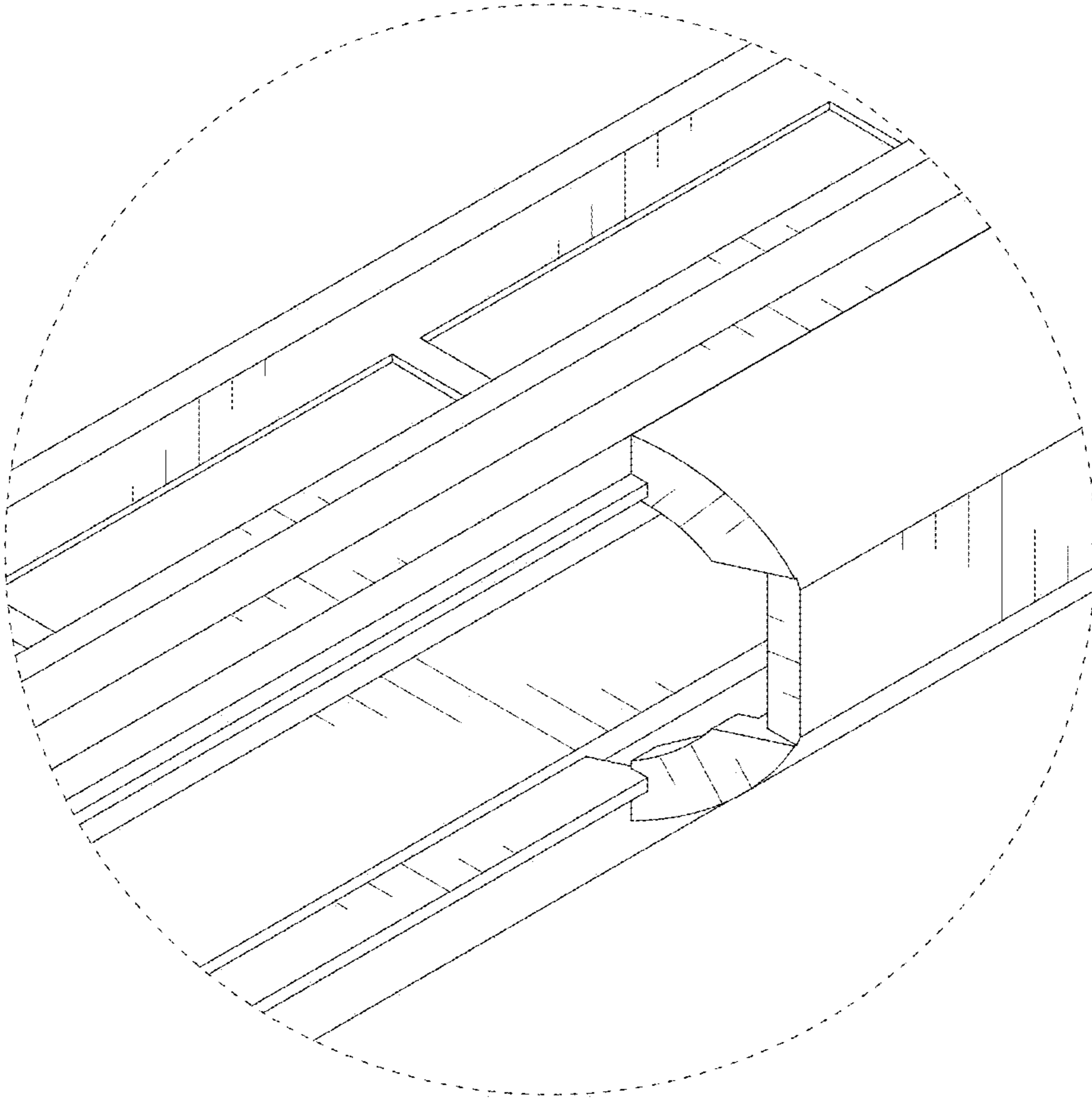


FIG.21

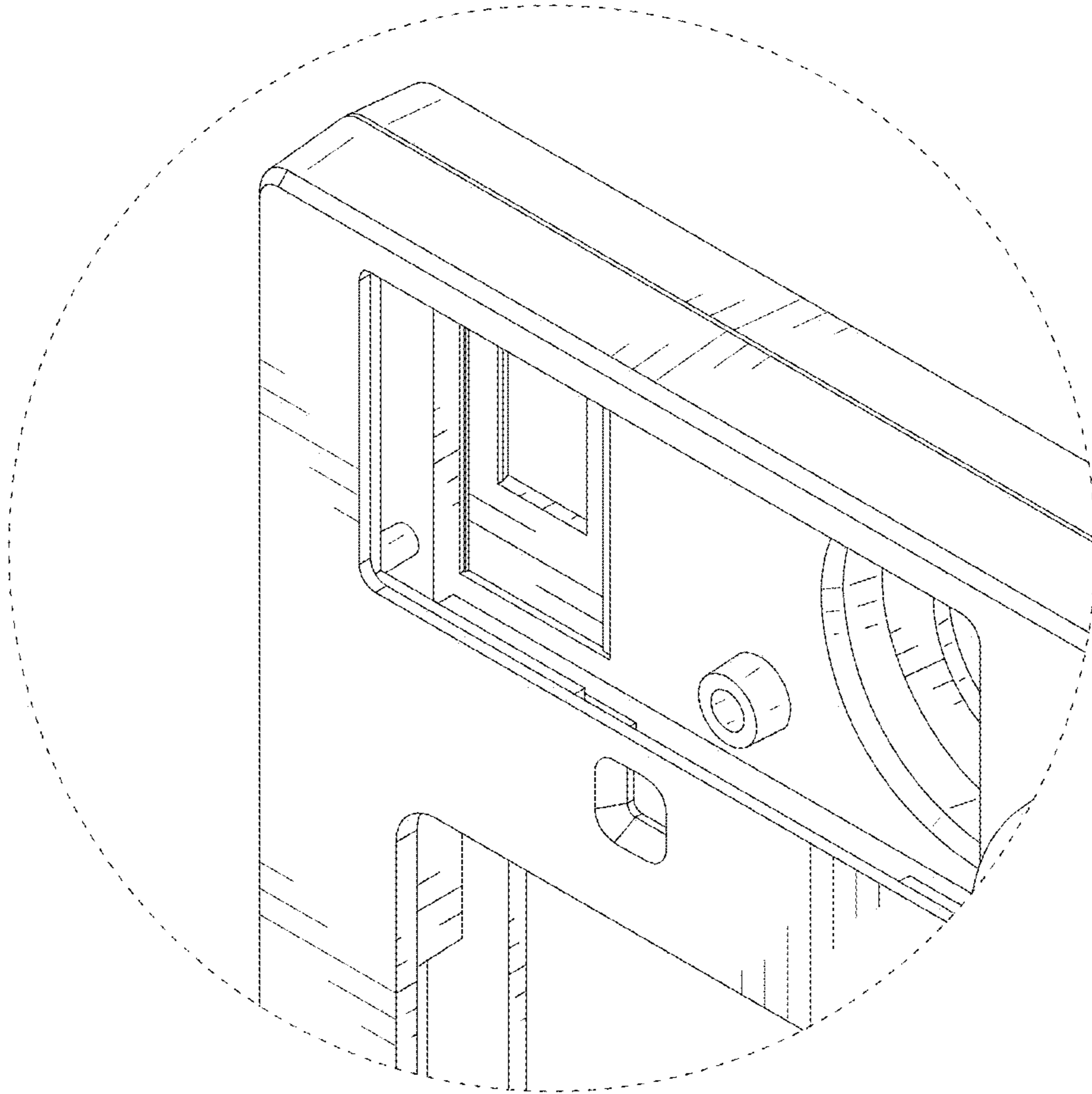


FIG.22

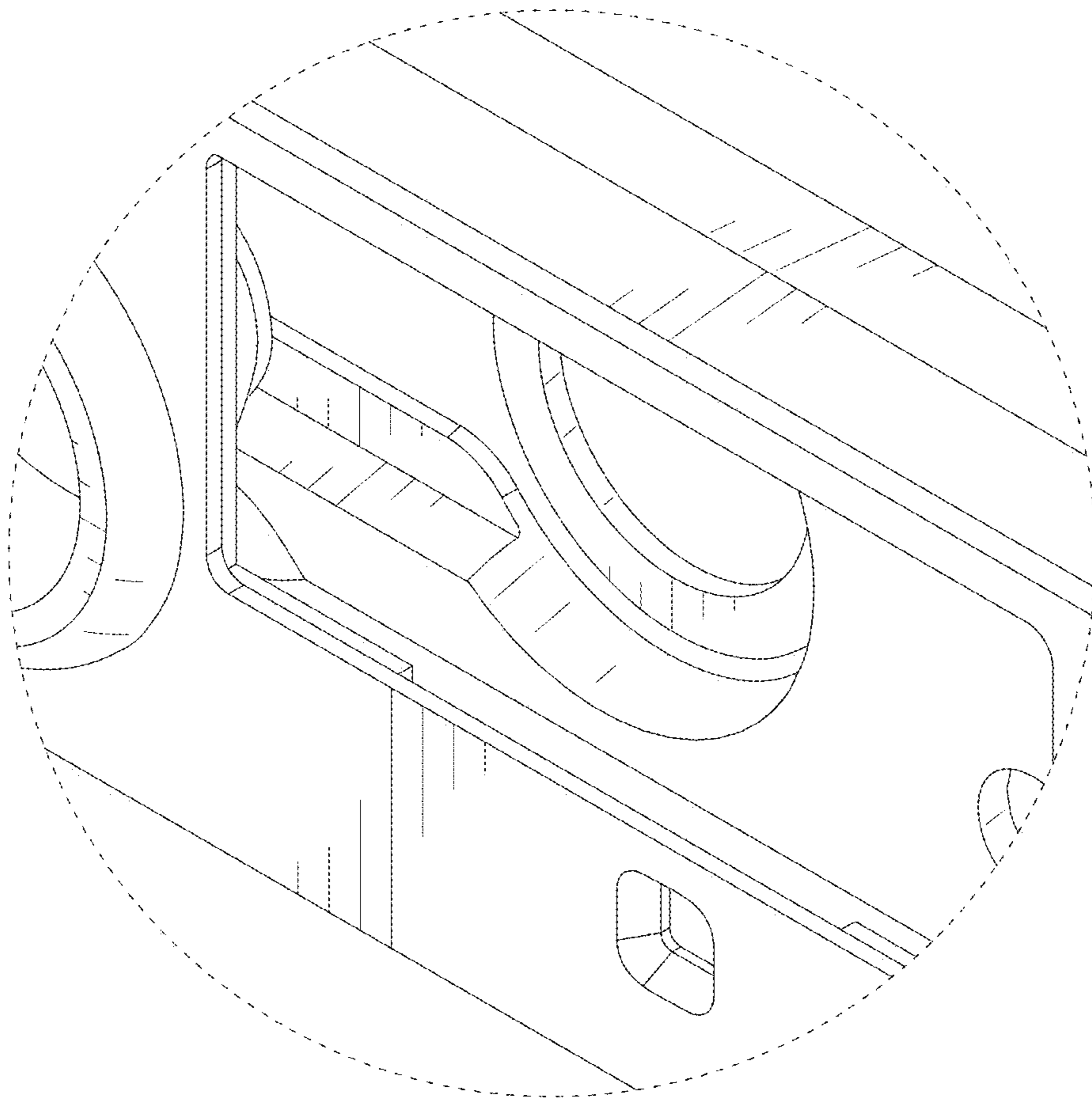


FIG.23