



US00D930906S

(12) **United States Design Patent** (10) **Patent No.:** **US D930,906 S**
Jung (45) **Date of Patent:** **** Sep. 14, 2021**

(54) **CONTAINER FOR COSMETICS**
(71) Applicant: **YONWOO CO., LTD.**, Incheon (KR)
(72) Inventor: **Seo Hui Jung**, Incheon (KR)
(73) Assignee: **YONWOO CO., LTD.**, Incheon (KR)
(**) Term: **15 Years**

D593,874 S * 6/2009 Nichols D9/504
D683,238 S * 5/2013 You D9/688
D685,638 S * 7/2013 DeMarco D9/504
D703,052 S * 4/2014 Park D9/503
D703,053 S * 4/2014 Park D9/503
D705,066 S * 5/2014 DeMarco D9/503
D845,132 S * 4/2019 Otani D9/503
D892,624 S * 8/2020 Son D9/504
D903,495 S * 12/2020 Chou D9/504
D903,496 S * 12/2020 Burrowes D9/504

(21) Appl. No.: **29/733,089**
(22) Filed: **Apr. 29, 2020**

OTHER PUBLICATIONS

Yonwoo Medi Lab Eco Friendly, published on Dec. 4, 2020, retrieved on Apr. 6, 2021, retrieved from the Internet URL: https://www.youtube.com/watch?v=0Yv5w_SM8fl.*

(30) **Foreign Application Priority Data**

Nov. 19, 2019 (KR) 30-2019-0055273

* cited by examiner

(51) **LOC (13) Cl.** **28-03**

Primary Examiner — Jennifer Rivard

(52) **U.S. Cl.**

Assistant Examiner — Alison M Ofstun

USPC **D28/76**; D9/504

(74) *Attorney, Agent, or Firm* — Novick, Kim & Lee, PLLC; Sang Ho Lee; Hyun Woo Shin

(58) **Field of Classification Search**

USPC D28/4, 8.1, 9, 76, 85–90, 91.1, 99; D9/451, 629, 503–504, 500, 529, 575, D9/686, 723; D24/216, 224

CPC A45D 33/22; A45D 33/24; A45D 33/26; A45D 33/28; A45D 40/00; A45D 40/20; A45D 40/24; A45D 34/00; A45D 34/04; A45D 34/06; A45D 34/041; A45D 40/02; A45D 40/06; A45D 40/18; A45D 40/262

See application file for complete search history.

(57) **CLAIM**

I claim the ornamental design for a container for cosmetics, as shown and described.

DESCRIPTION

FIG. 1 is a perspective view of a container for cosmetics, showing my new design;

FIG. 2 is a front elevational view thereof;

FIG. 3 is a rear elevational view thereof;

FIG. 4 is a left side elevational view thereof;

FIG. 5 is a right side elevational view thereof;

FIG. 6 is a top plan view thereof;

FIG. 7 is a bottom plan view thereof; and,

FIG. 8 is an exploded perspective view thereof.

(56) **References Cited**

U.S. PATENT DOCUMENTS

D261,940 S * 11/1981 Holloway D28/88
5,286,126 A * 2/1994 Harris A45D 40/02
401/82
D385,793 S * 11/1997 Marsal D24/224
6,068,421 A * 5/2000 Pierpont A45C 13/008
220/796

1 Claim, 8 Drawing Sheets

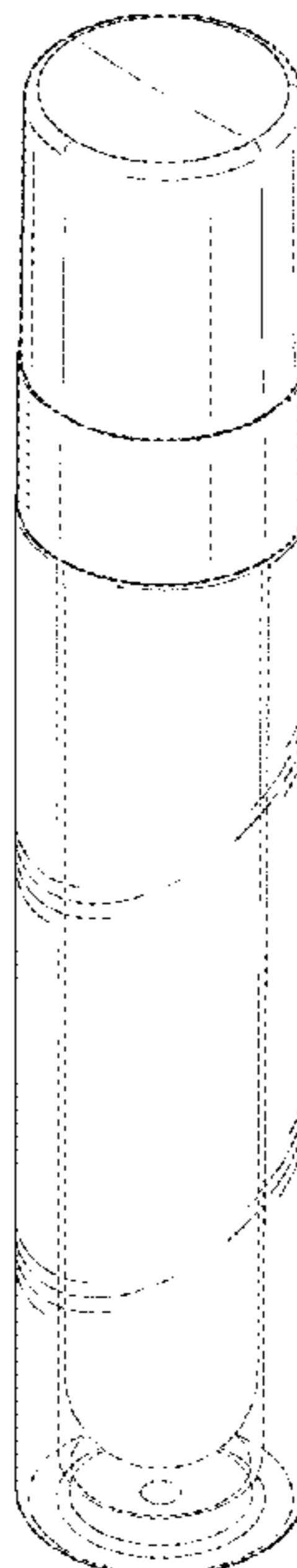


FIG. 1

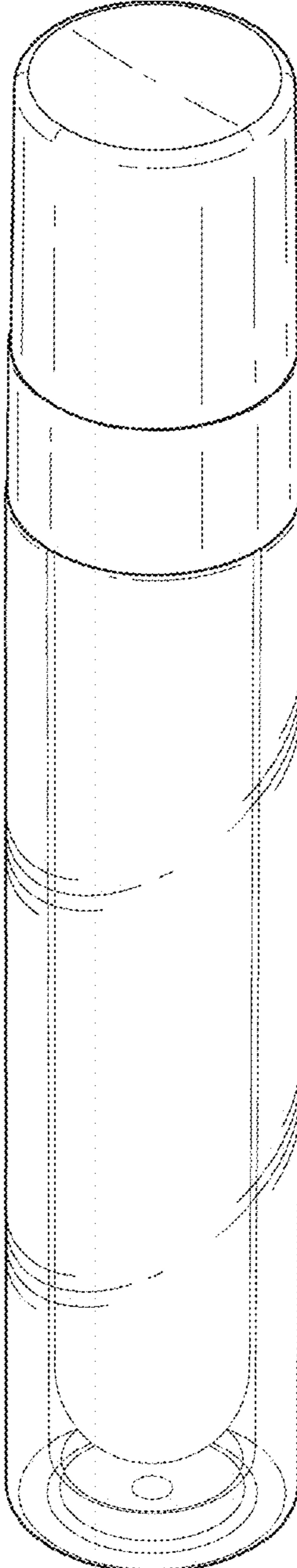


FIG. 2

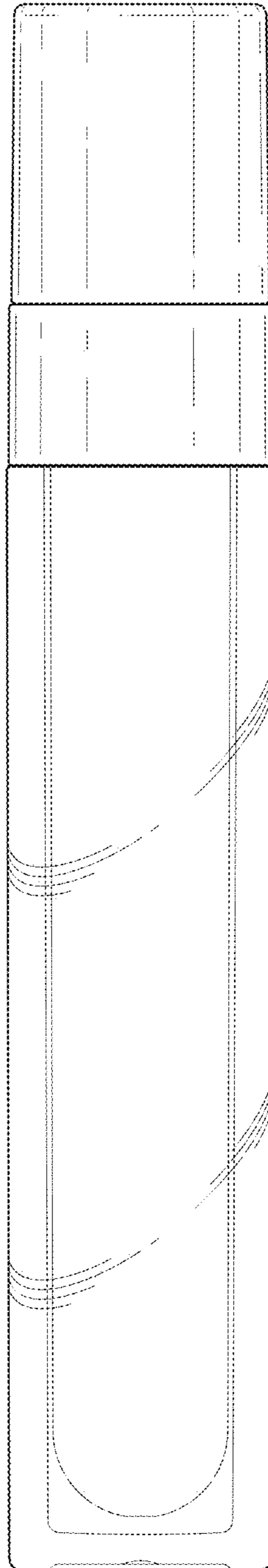


FIG. 3

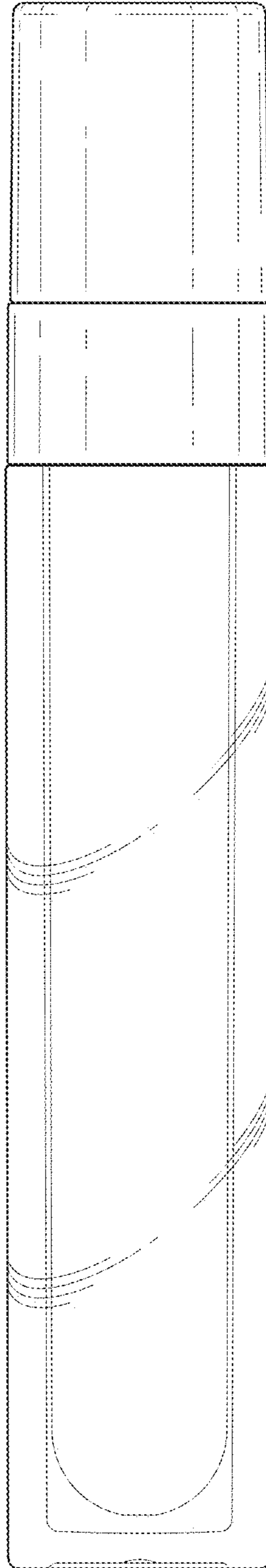


FIG. 4

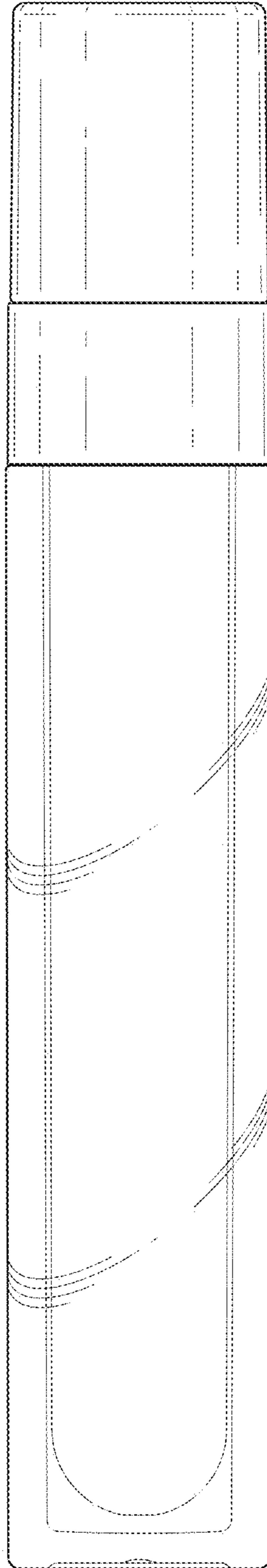


FIG. 5

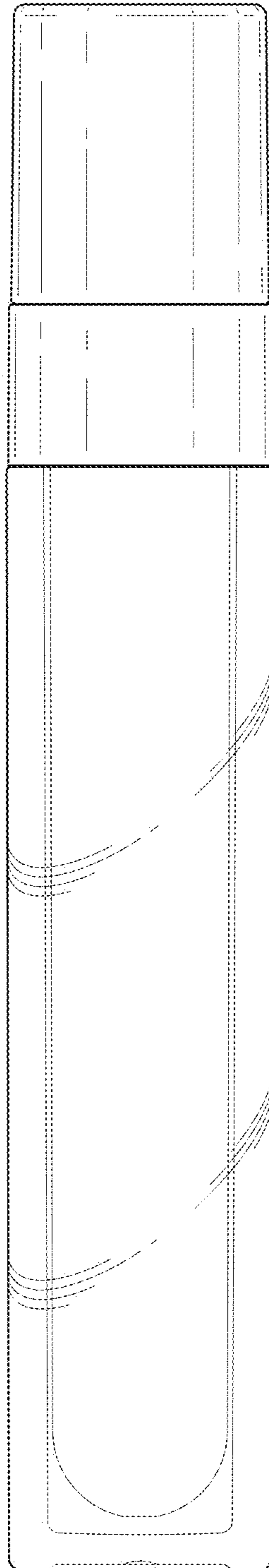


FIG. 6

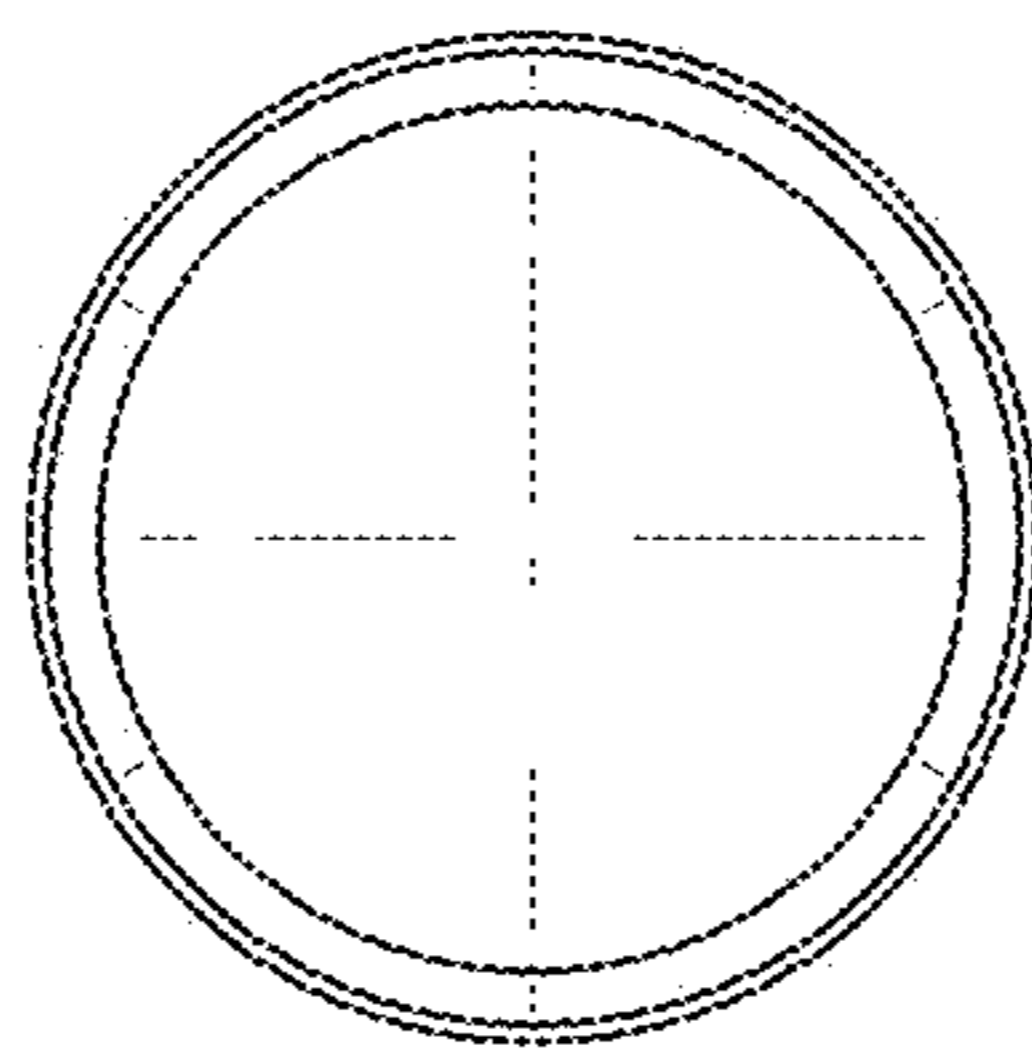


FIG. 7

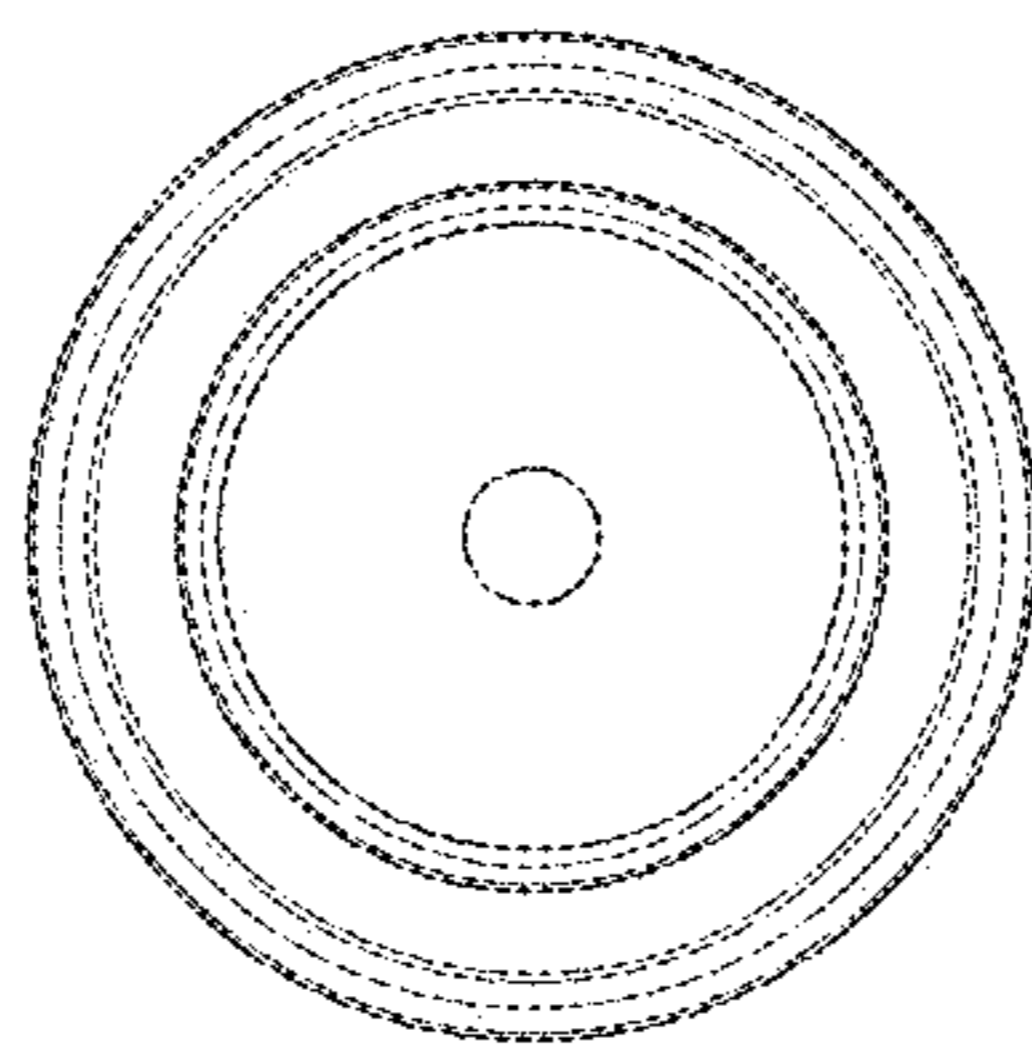


FIG. 8

