



US00D930904S

(12) **United States Design Patent** (10) **Patent No.:** **US D930,904 S**  
**Courtney et al.** (45) **Date of Patent:** **\*\* Sep. 14, 2021**

(54) **HAND-DRYER**

FOREIGN PATENT DOCUMENTS

(71) Applicant: **Dyson Technology Limited**, Wiltshire (GB)  
(72) Inventors: **Stephen Benjamin Courtney**, Gloucester (GB); **Charles Franklin Gale**, Bristol (GB); **Davide Leoni**, Bristol (GB); **Donald James McIntosh**, Gloucester (GB)  
(73) Assignee: **Dyson Technology Limited**, Malmesbury (GB)

CN 305747634 \* 11/2019  
IN 323103-001-0001 \* 10/2019  
JP D1653004 \* 11/2019  
RU 00119392 \* 11/2019

(\*\*) Term: **15 Years**

OTHER PUBLICATIONS

(21) Appl. No.: **29/714,388**

Dyson Airblade 9kJ HEPA Filtered Hand Dryer [online], [site visited May 6, 2021]. Available from internet, URL: <https://www.amazon.com/Dyson-Airblade-Filtered-Voltage-120-127V/dp/B07Z7ZFPPT> (Year: 2019).\*  
Dyson Airblade 9kJ Hand Dryer [online], [site visited May 6, 2021]. Available from internet, URL: <https://www.dyson.com/commercial/hand-dryers/airblade-9kj> (Year: 2021).\*

(22) Filed: **Nov. 22, 2019**

\* cited by examiner

(30) **Foreign Application Priority Data**

*Primary Examiner* — Cynthia Ramirez  
*Assistant Examiner* — Xavier Marti-Santos  
(74) *Attorney, Agent, or Firm* — Morrison & Foerster LLP

May 23, 2019 (EM) ..... 006505673-0002

(51) **LOC (13) Cl.** ..... **28-03**

(52) **U.S. Cl.**  
USPC ..... **D28/54.1**

(58) **Field of Classification Search**  
USPC .... D28/12, 54.1, 58, 99; D23/357, 361, 385  
CPC ..... A47K 10/00; A47K 10/48; A47K 19/00;  
A47K 21/004

See application file for complete search history.

(56) **References Cited**

U.S. PATENT DOCUMENTS

D669,222 S \* 10/2012 Dyson ..... D28/54.1  
D678,613 S \* 3/2013 Dyson ..... D28/54.1  
D679,055 S \* 3/2013 Dyson ..... D28/54.1  
D682,472 S \* 5/2013 Dyson ..... D28/54.1  
D706,983 S \* 6/2014 Courtney ..... D28/54.1  
D707,395 S \* 6/2014 Courtney ..... D28/54.1  
D820,407 S \* 6/2018 Wieser ..... D23/239  
D830,635 S \* 10/2018 Liu ..... D28/54.1  
D872,368 S \* 1/2020 Gagnon ..... D28/54.1  
2015/0164288 A1 \* 6/2015 Courtney ..... A47K 10/48  
34/90

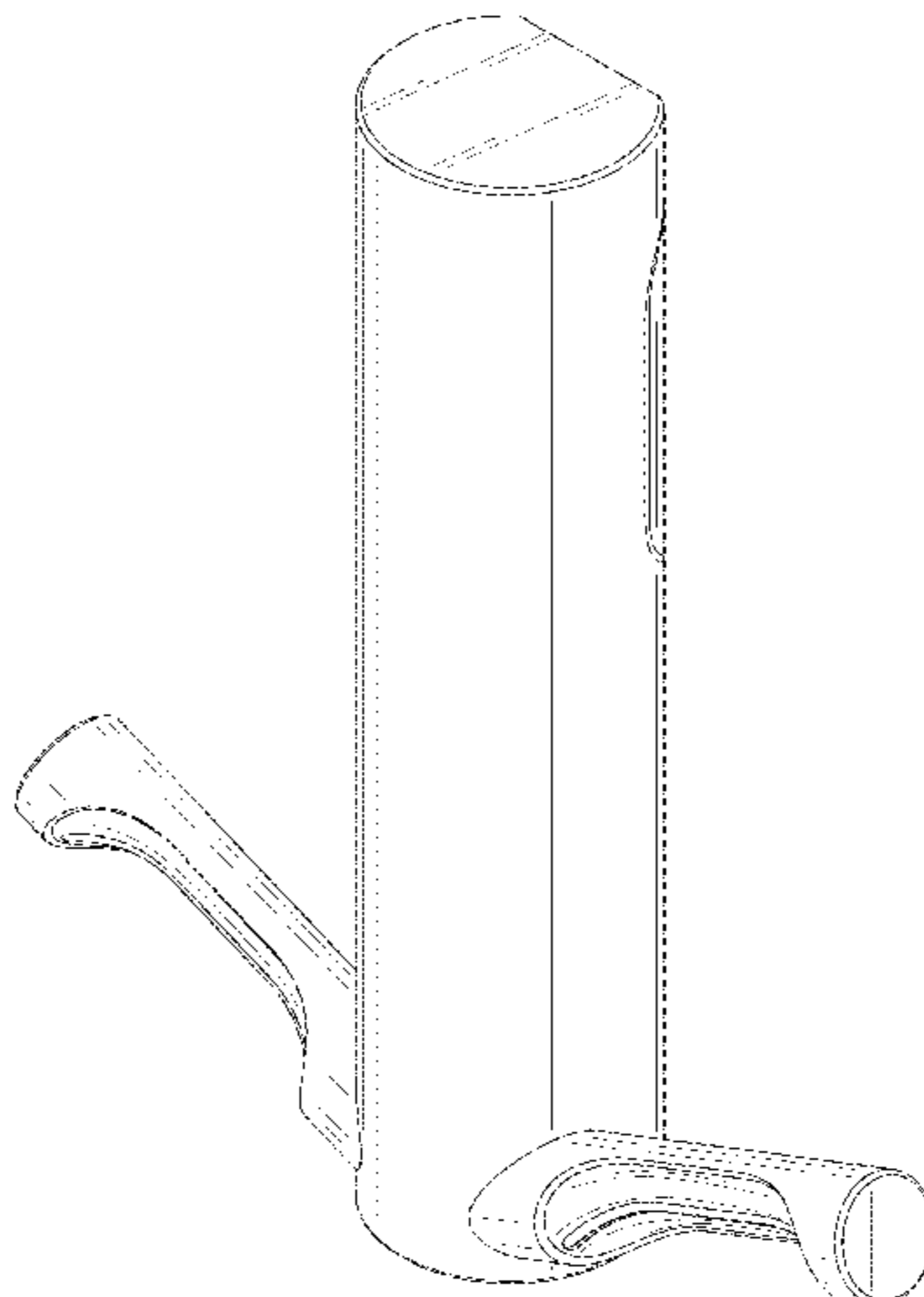
(57) **CLAIM**

We claim the ornamental design for a hand-dryer, as shown and described.

**DESCRIPTION**

FIG. 1 is a front perspective view of a hand-dryer showing our new design;  
FIG. 2 is a front view thereof;  
FIG. 3 is a rear view thereof;  
FIG. 4 is a side view thereof;  
FIG. 5 is a side view of the opposite side of FIG. 4;  
FIG. 6 is a top view thereof; and,  
FIG. 7 is a bottom view thereof.  
The broken lines shown in the drawings illustrate portions of a hand-dryer that form no part of the claimed design.

**1 Claim, 7 Drawing Sheets**



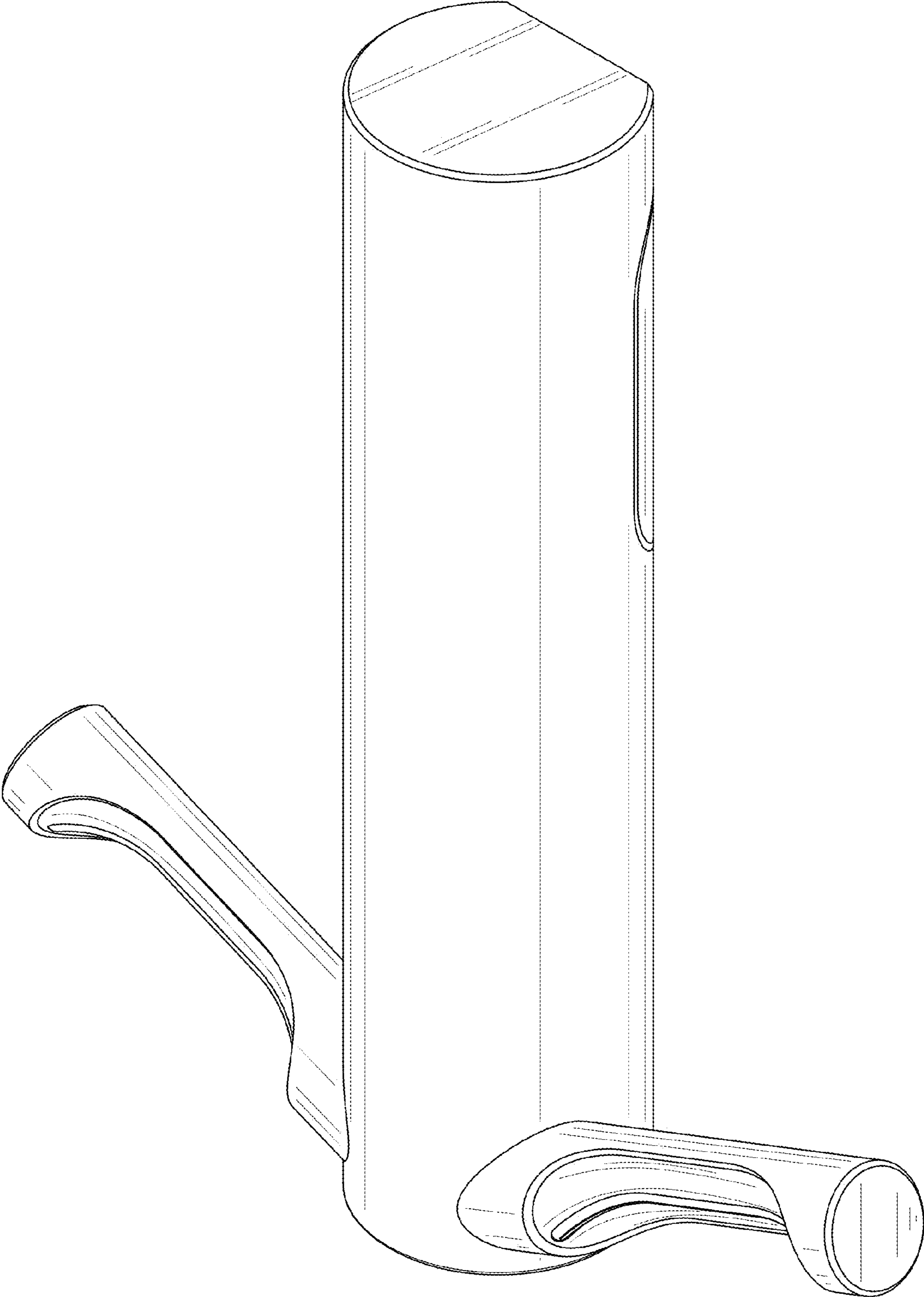


FIG. 1

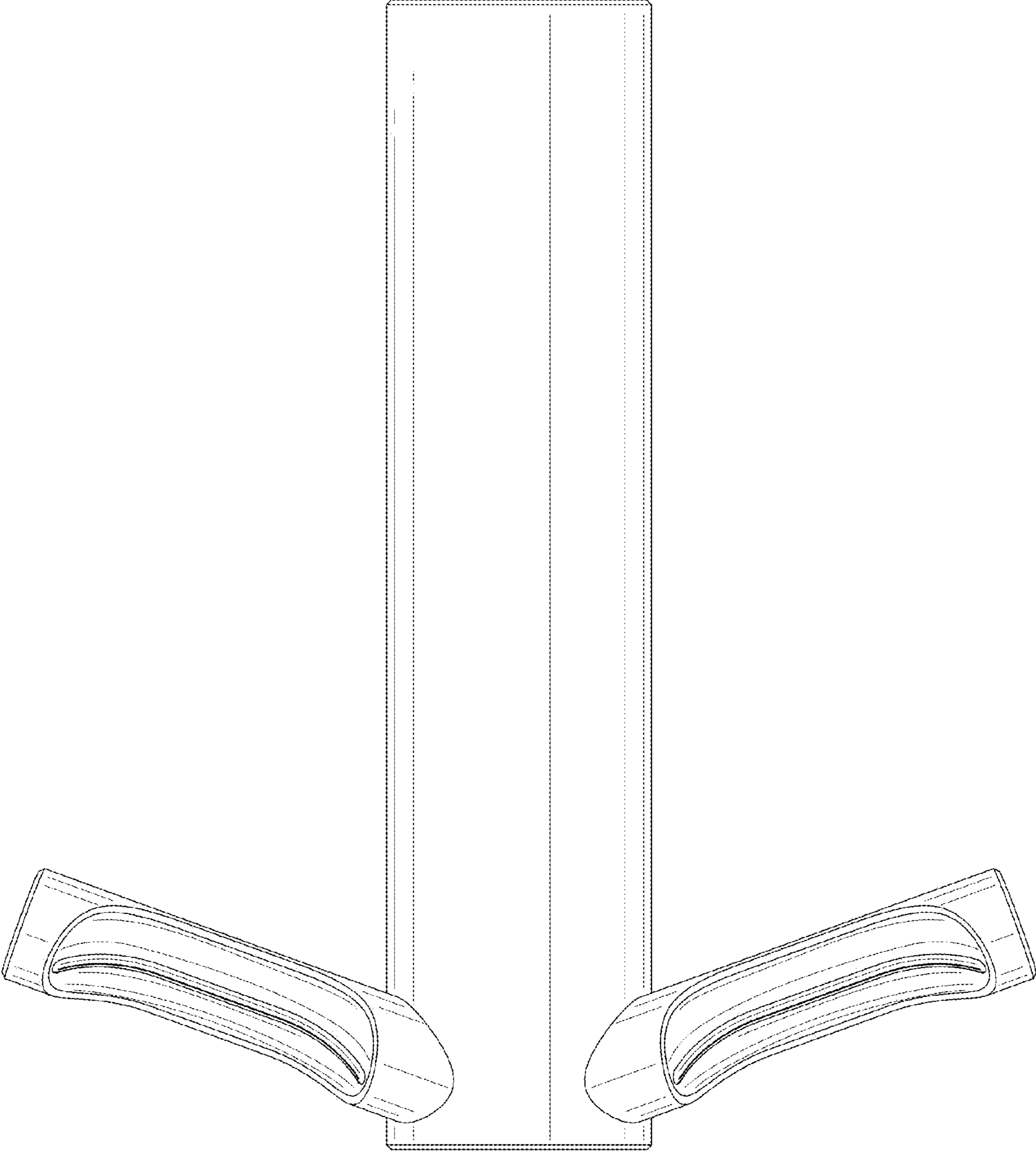


FIG. 2

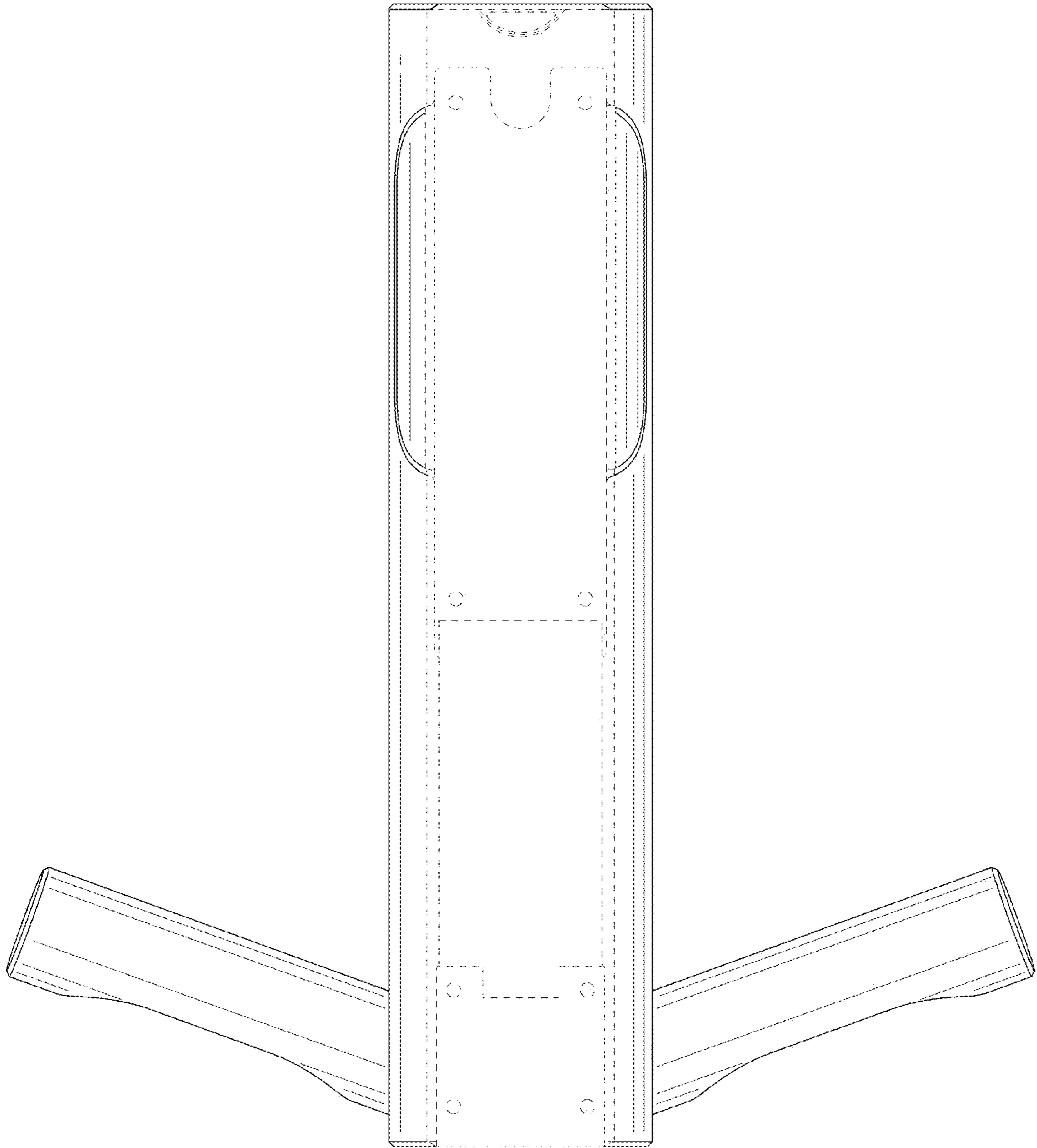


FIG. 3

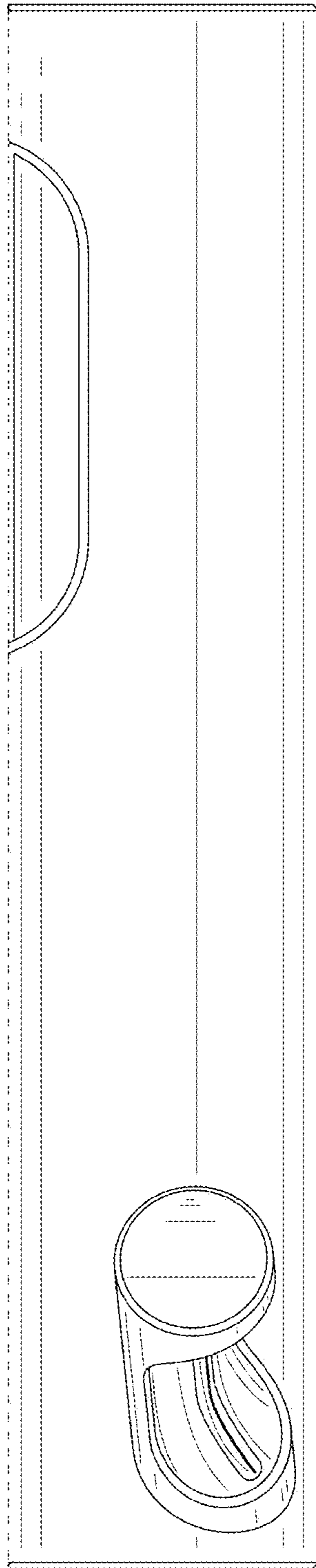


FIG. 4

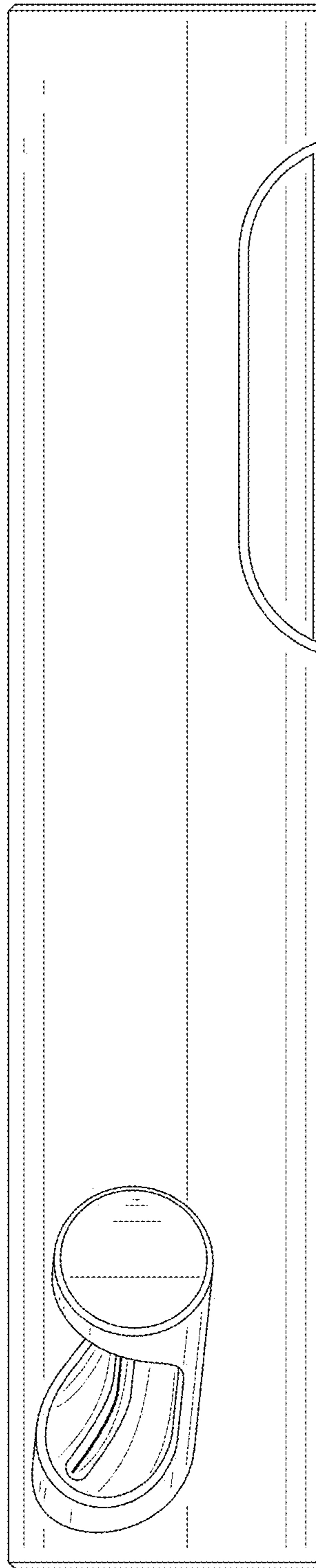


FIG. 5

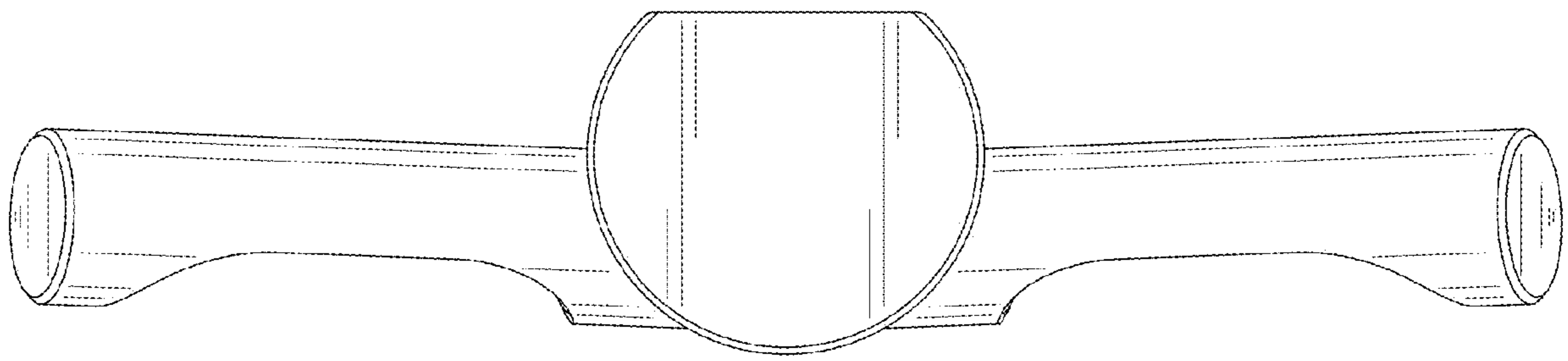


FIG. 6

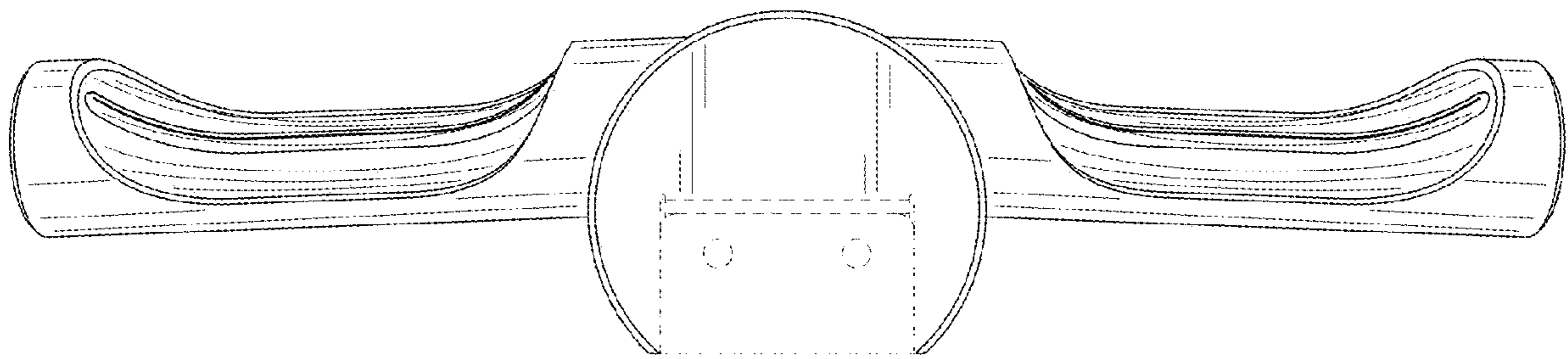


FIG. 7