



US00D930903S

(12) **United States Design Patent**
Zhuang

(10) **Patent No.:** **US D930,903 S**

(45) **Date of Patent:** **** Sep. 14, 2021**

(54) **HAIR CLIPPER**

(71) Applicant: **Qin Zhuang**, Shenzhen (CN)

(72) Inventor: **Qin Zhuang**, Shenzhen (CN)

(**) Term: **15 Years**

(21) Appl. No.: **29/736,465**

(22) Filed: **May 30, 2020**

(51) **LOC (13) Cl.** **28-03**

(52) **U.S. Cl.**
USPC **D28/53**

(58) **Field of Classification Search**
USPC D28/49, 51, 53
CPC .. B26B 19/3853-3866; B26B 19/3886; B26B 19/00-107; B26B 19/20; B26B 19/205; B26B 19/22
See application file for complete search history.

(56) **References Cited**

U.S. PATENT DOCUMENTS

| | | | |
|-----------------|---------|---------------------|----------------------|
| D456,948 S | 5/2002 | Rizzuto, Jr. et al. | |
| D456,950 S | 5/2002 | Rizzuto, Jr. et al. | |
| D458,411 S | 6/2002 | Abraham et al. | |
| 6,604,287 B2 * | 8/2003 | Melton | B26B 19/06 30/122 |
| D500,890 S | 1/2005 | Muramatsu | |
| D524,486 S | 7/2006 | Ng | |
| D534,689 S | 1/2007 | Gross et al. | |
| 7,188,422 B2 * | 3/2007 | McCambridge | B26B 19/06 30/122 |
| D637,760 S | 5/2011 | Tasar | |
| D718,496 S | 11/2014 | Ino | |
| D784,618 S | 4/2017 | Mori et al. | |
| D820,521 S | 6/2018 | Nitsch | |
| D821,652 S * | 6/2018 | Skuhra | D28/53 |
| 10,059,013 B2 * | 8/2018 | Skuhra | B26B 19/3853 |
| D844,245 S * | 3/2019 | Wu | D28/53 |
| D846,192 S * | 4/2019 | Wu | D28/53 |
| D852,419 S | 6/2019 | Mori | |
| D866,072 S | 11/2019 | Chen | |

| | | | |
|-------------------|---------|---------|------------------------|
| D869,768 S | 12/2019 | Cowan | |
| 2009/0265942 A1 * | 10/2009 | Beltran | B26B 19/06 30/201 |
| 2016/0008994 A1 * | 1/2016 | Johnson | B26B 19/3853 30/216 |

OTHER PUBLICATIONS

[https://www.amazon.com/Professional-Clippers-Cordless-Rechargeable-Boyfriend/dp/B07S1W7D5G/ref=sr_1_1_sspa?Bestbomg Hair clipper, www.amazon.com, 1 page, reviewed as early as Dec. 2019 \(Year: 2019\).*](https://www.amazon.com/Professional-Clippers-Cordless-Rechargeable-Boyfriend/dp/B07S1W7D5G/ref=sr_1_1_sspa?Bestbomg+Hair+clipper,+www.amazon.com,+1+page,+reviewed+as+early+as+Dec.+2019+(Year:+2019).*)
https://www.youtube.com/watch?v=BoxrDmS_jrl Bestbomg Hair clipper, www.youtube.com, 1 page, reviewed as early as Dec. 2019 (Year: 2019).*

* cited by examiner

Primary Examiner — Jennifer Rivard
(74) *Attorney, Agent, or Firm* — Law Offices of Steven W. Weinrieb

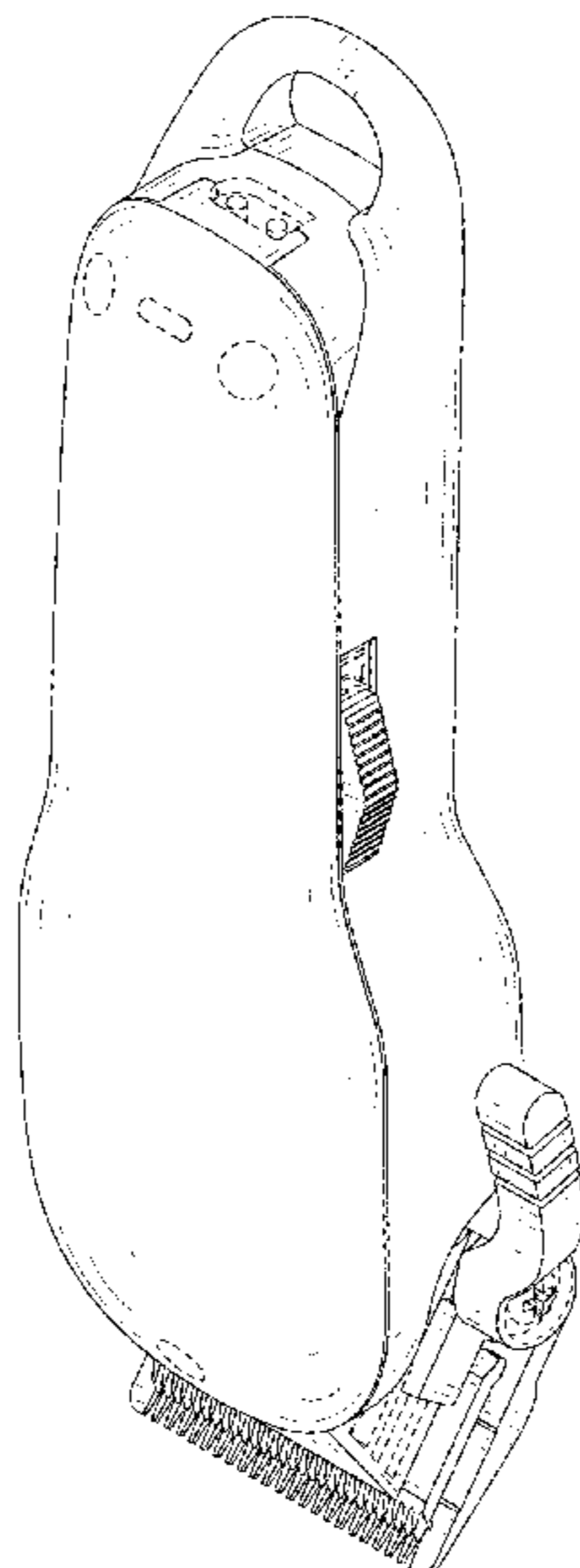
(57) **CLAIM**

The ornamental design for a hair clipper, as shown and described.

DESCRIPTION

FIG. 1 is a front, right side, top perspective view of a hair clipper showing my new design; FIG. 2 is a rear, left side, bottom perspective view thereof; FIG. 3 is a front elevational view thereof; FIG. 4 is a rear elevational view thereof; FIG. 5 is a left side elevational view thereof; FIG. 6 is a right side elevational view thereof; FIG. 7 is a top plan view thereof; and, FIG. 8 is a bottom plan view thereof. The broken lines depict portions of the hair clipper that form no part of the claimed design.

1 Claim, 8 Drawing Sheets



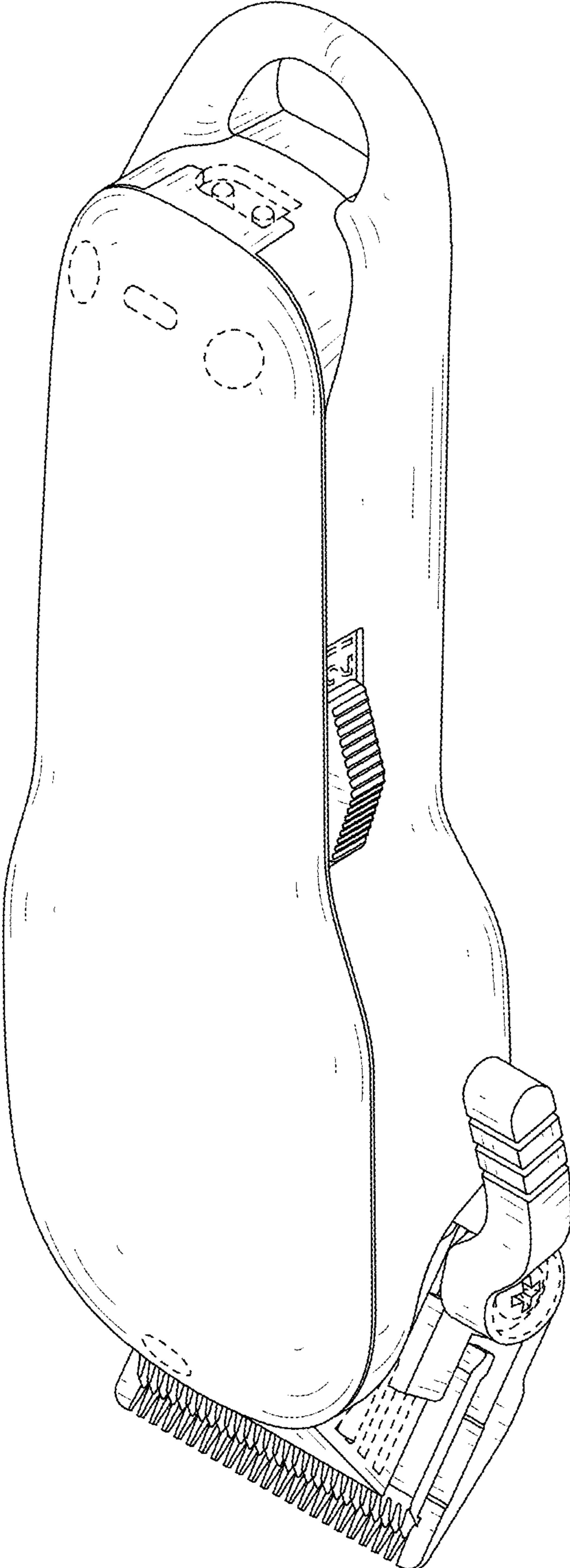


FIG. 1

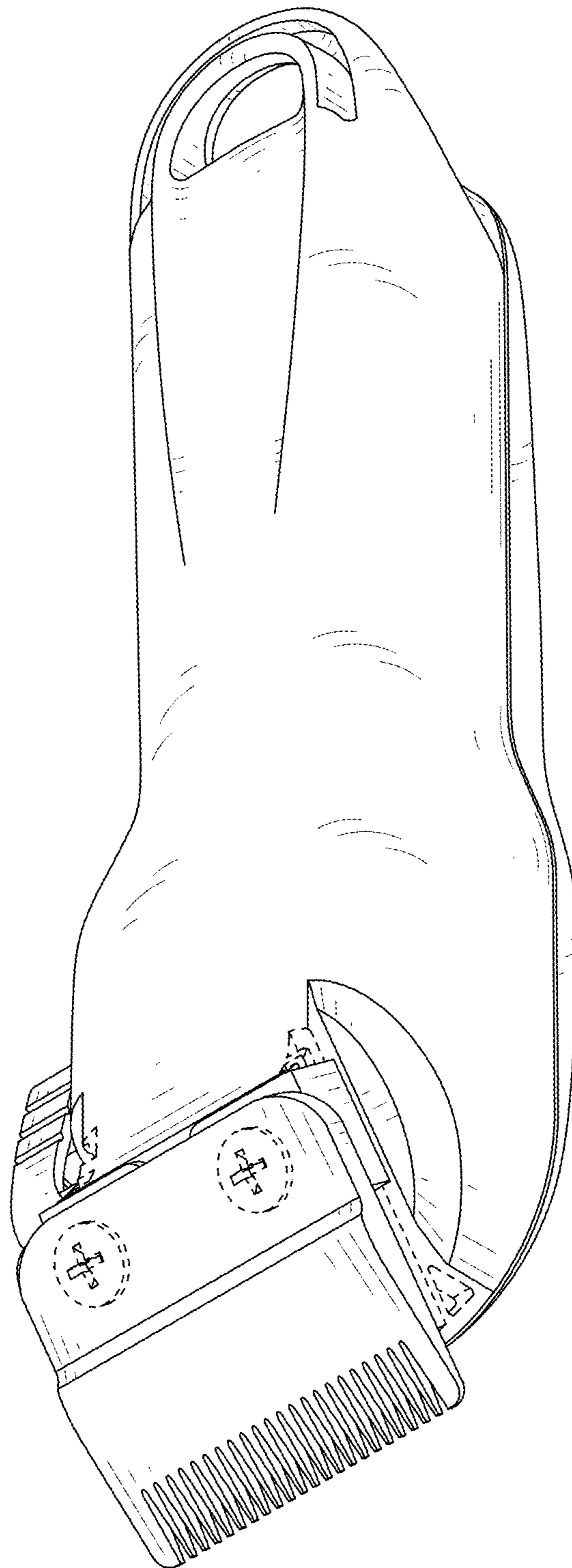


FIG. 2

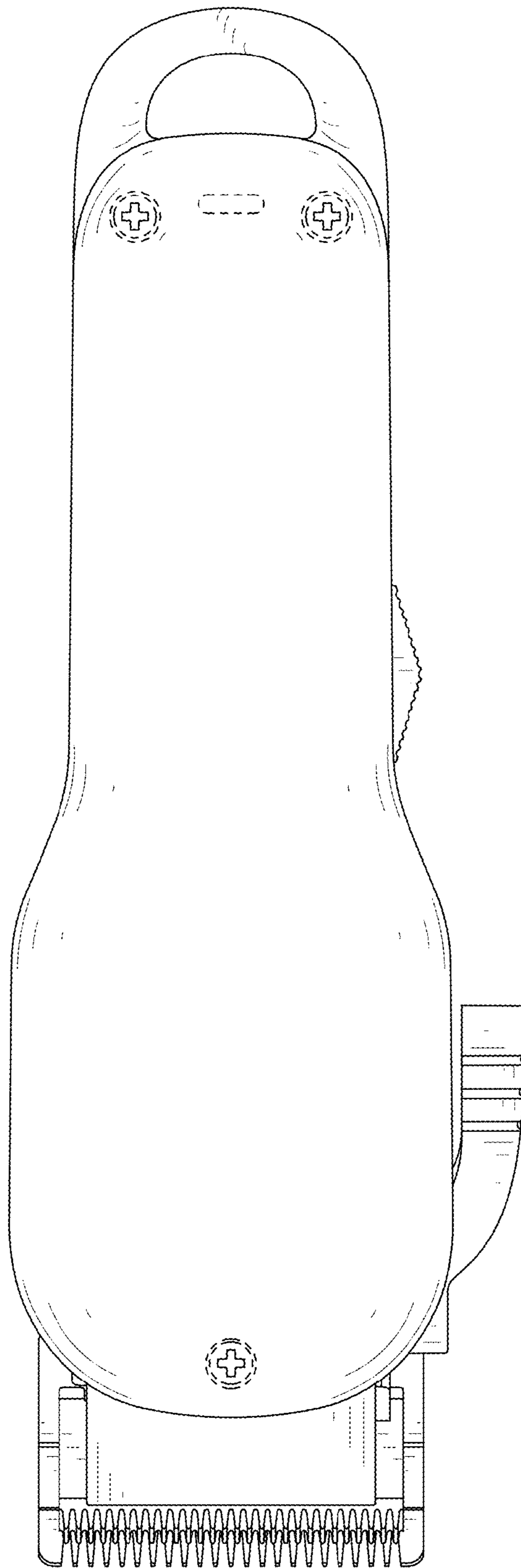


FIG. 3

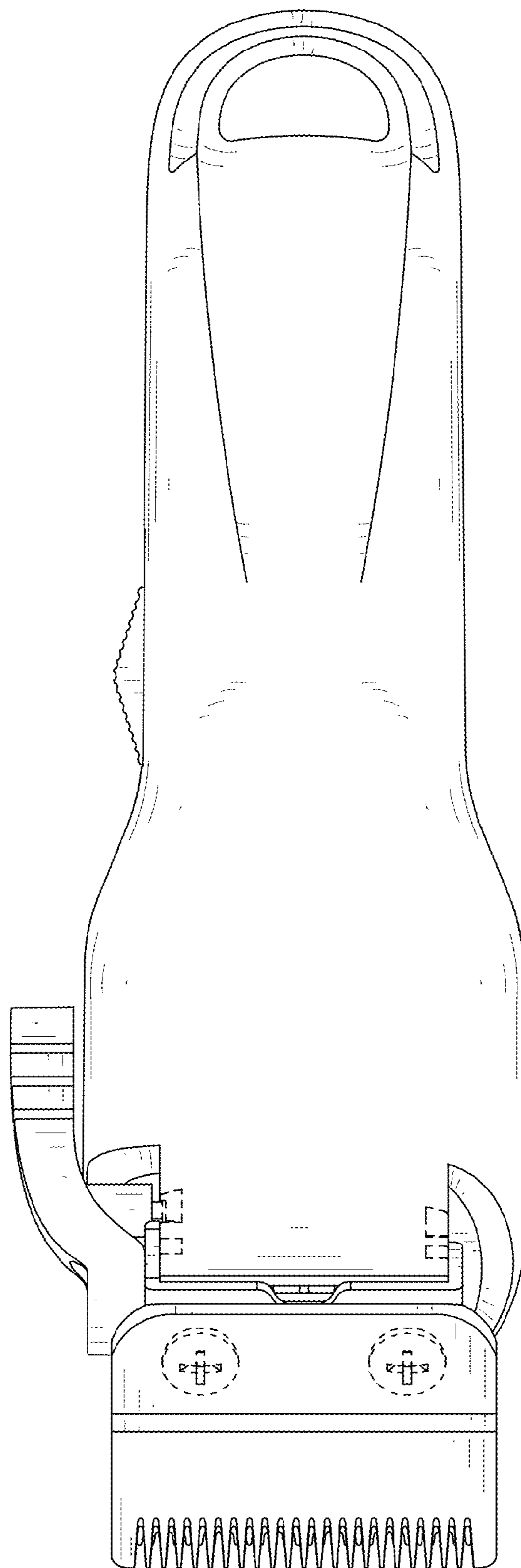


FIG. 4

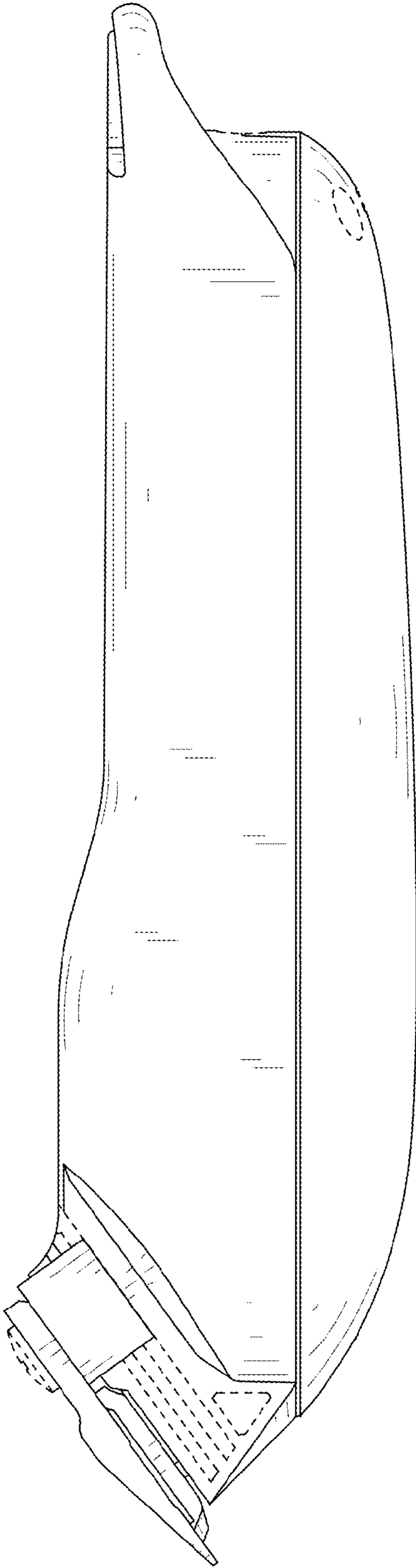


FIG. 5

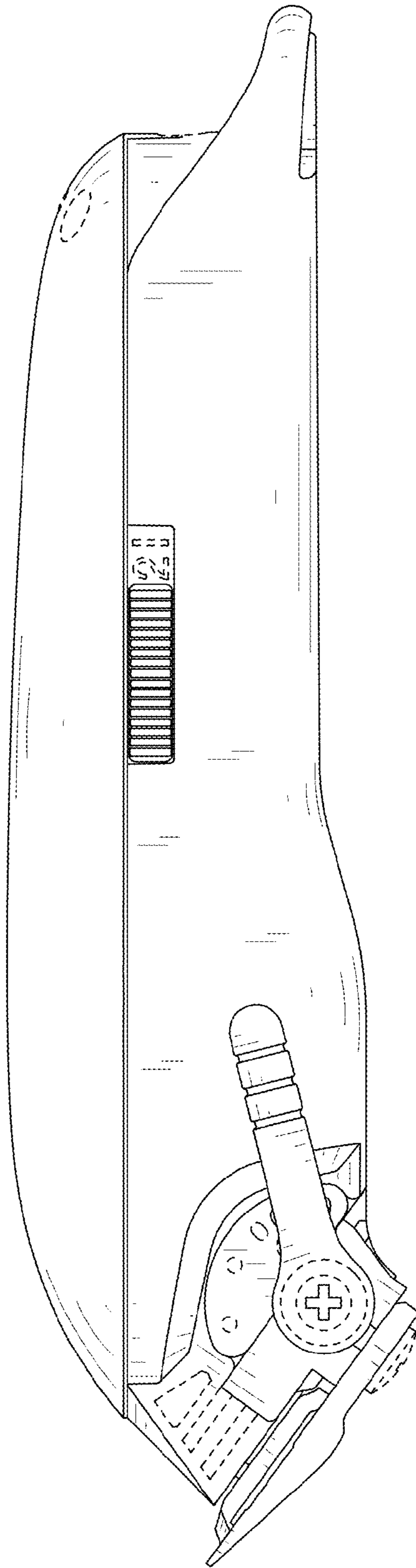


FIG. 6

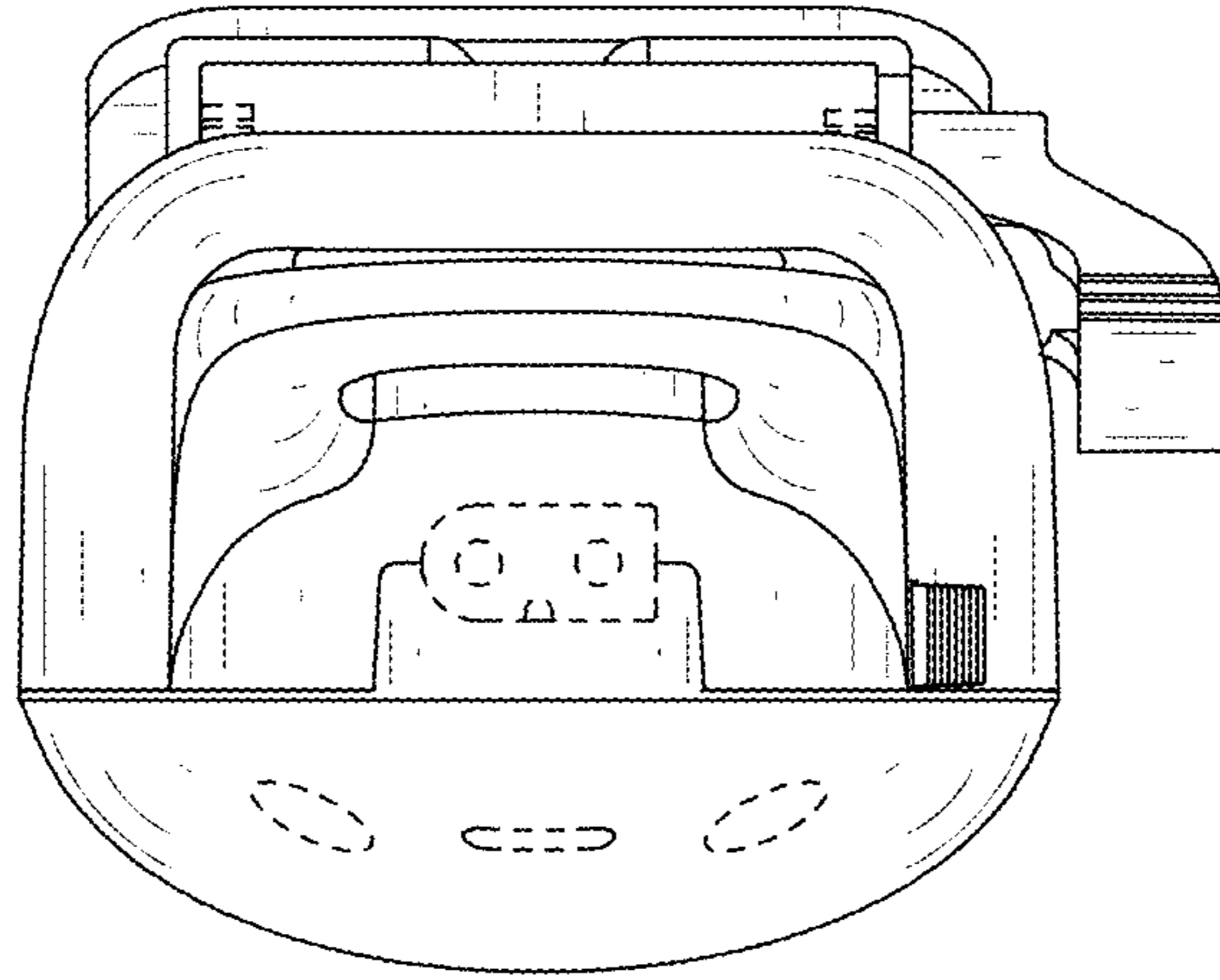


FIG. 7

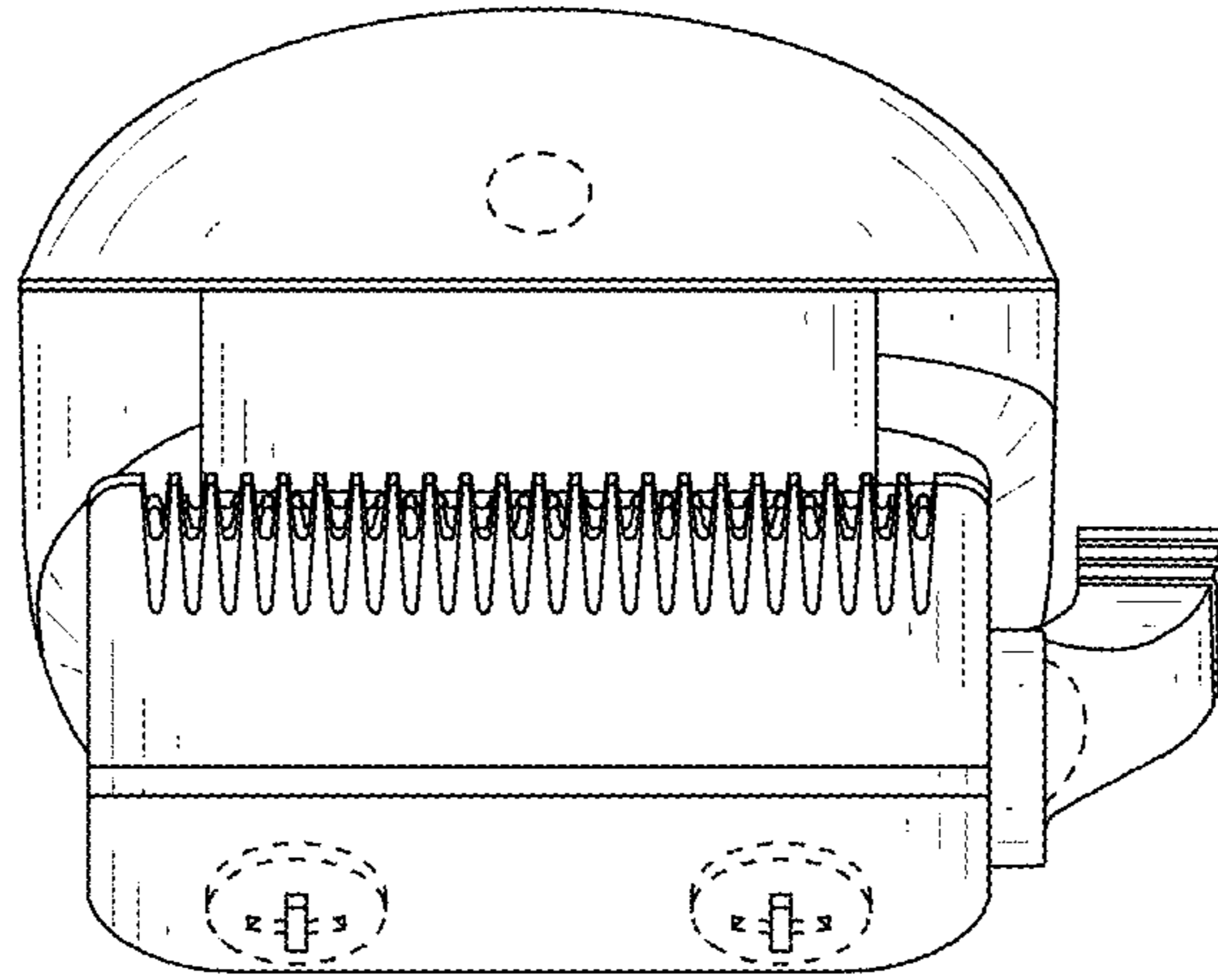


FIG. 8