



US00D930902S

(12) **United States Design Patent** (10) **Patent No.:** **US D930,902 S**
Liu (45) **Date of Patent:** **** Sep. 14, 2021**

(54) **LINT REMOVER**

(71) Applicant: **Songqing Liu**, Shenzhen (CN)

(72) Inventor: **Songqing Liu**, Shenzhen (CN)

(**) Term: **15 Years**

(21) Appl. No.: **29/757,079**

(22) Filed: **Nov. 3, 2020**

(51) **LOC (13) Cl.** **28-03**

(52) **U.S. Cl.**
USPC **D28/50**

(58) **Field of Classification Search**
USPC D28/50
CPC A47L 25/08; B26B 19/48; B26B 19/3853;
B26B 19/14; D06C 11/00
See application file for complete search history.

(56) **References Cited**

U.S. PATENT DOCUMENTS

D310,890 S *	9/1990	Ho	D28/50
4,985,999 A *	1/1991	Iwasaki	A46B 13/02 30/133
D319,564 S *	9/1991	Okayasu	D8/61
D455,228 S *	4/2002	Hsu	D28/50
D495,831 S *	9/2004	Hsu	D28/50
D620,643 S	7/2010	Teteak et al.		
D671,267 S *	11/2012	Hsu	D28/50
D678,611 S *	3/2013	Hsu	D28/50
8,857,011 B2 *	10/2014	Casper	A47L 9/149 15/344

D828,626 S *	9/2018	Hsu	D28/50
D845,544 S	4/2019	Hsu		
D866,071 S *	11/2019	Luo	D28/50
D877,985 S	3/2020	Wei		
D917,890 S *	5/2021	Cai	D4/137
2013/0283631 A1 *	10/2013	Moloney	A45D 20/04 34/97

OTHER PUBLICATIONS

IRuntek Fabric Shaver, www. amazon.com, first available Dec. 7, 2020, 1 page (Year: 2020).*

* cited by examiner

Primary Examiner — Jennifer Rivard
(74) *Attorney, Agent, or Firm* — Rumit Ranjit Kanakia

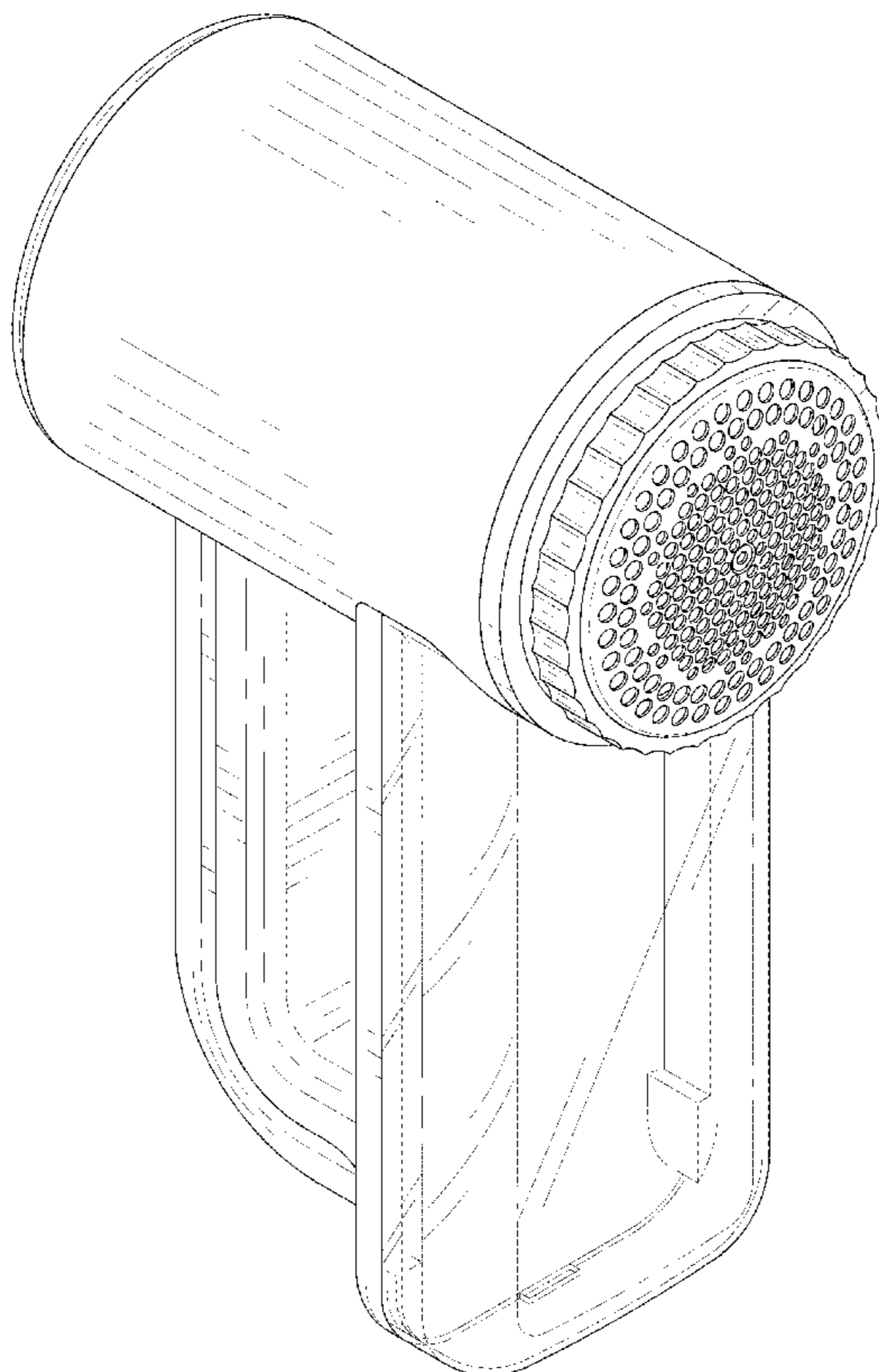
(57) **CLAIM**

The ornamental design for a lint remover, as shown and described.

DESCRIPTION

FIG. 1 is a front elevational view of a lint remover showing my new design;
FIG. 2 is a rear elevational view thereof; and
FIG. 3 is a right side view thereof;
FIG. 4 is a left side view thereof;
FIG. 5 is a bottom plan view thereof;
FIG. 6 is a top plan view thereof; and,
FIG. 7 is perspective view thereof.
The broken lines illustrate a portion of the lint remover and form no part of the claimed design.

1 Claim, 7 Drawing Sheets



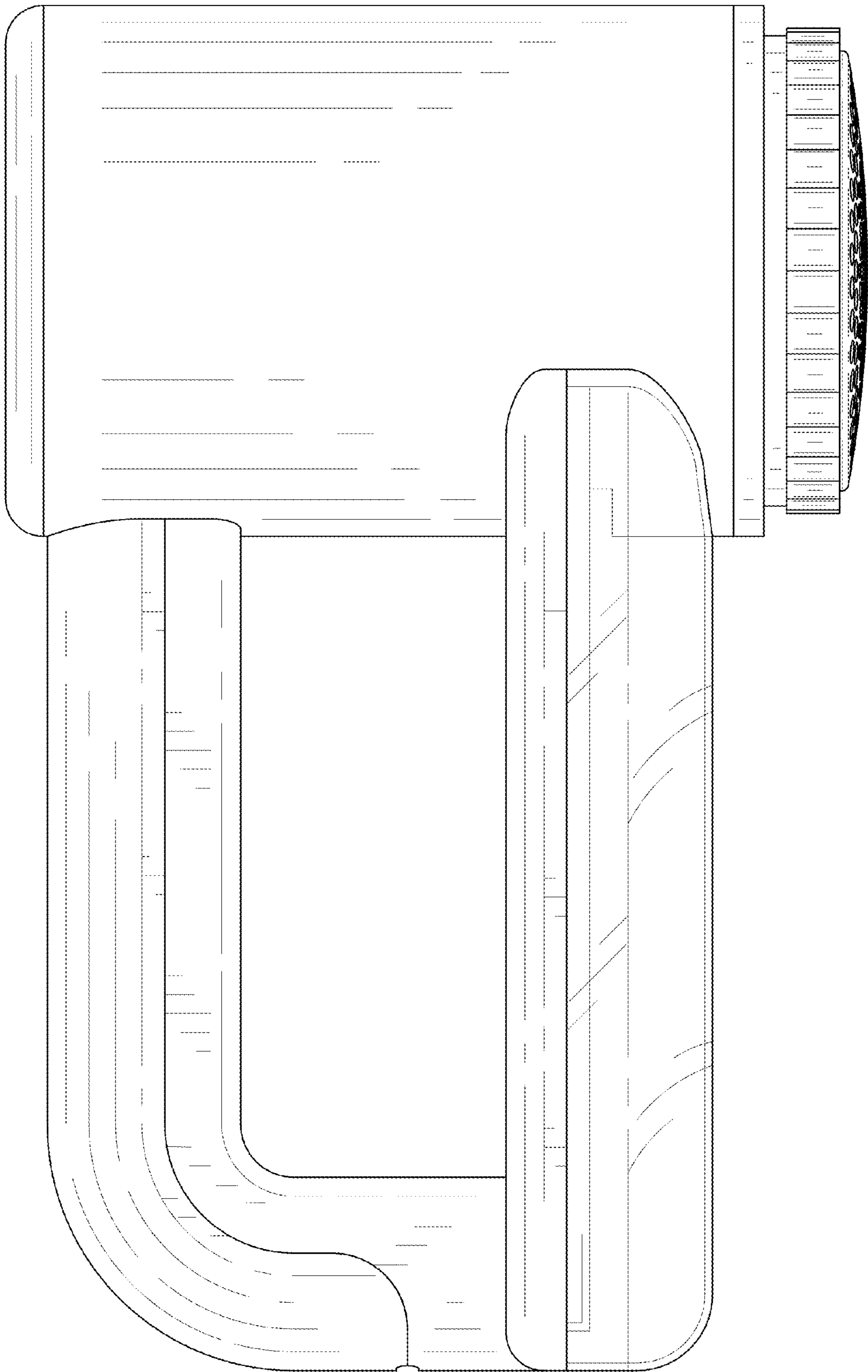


Fig. 1

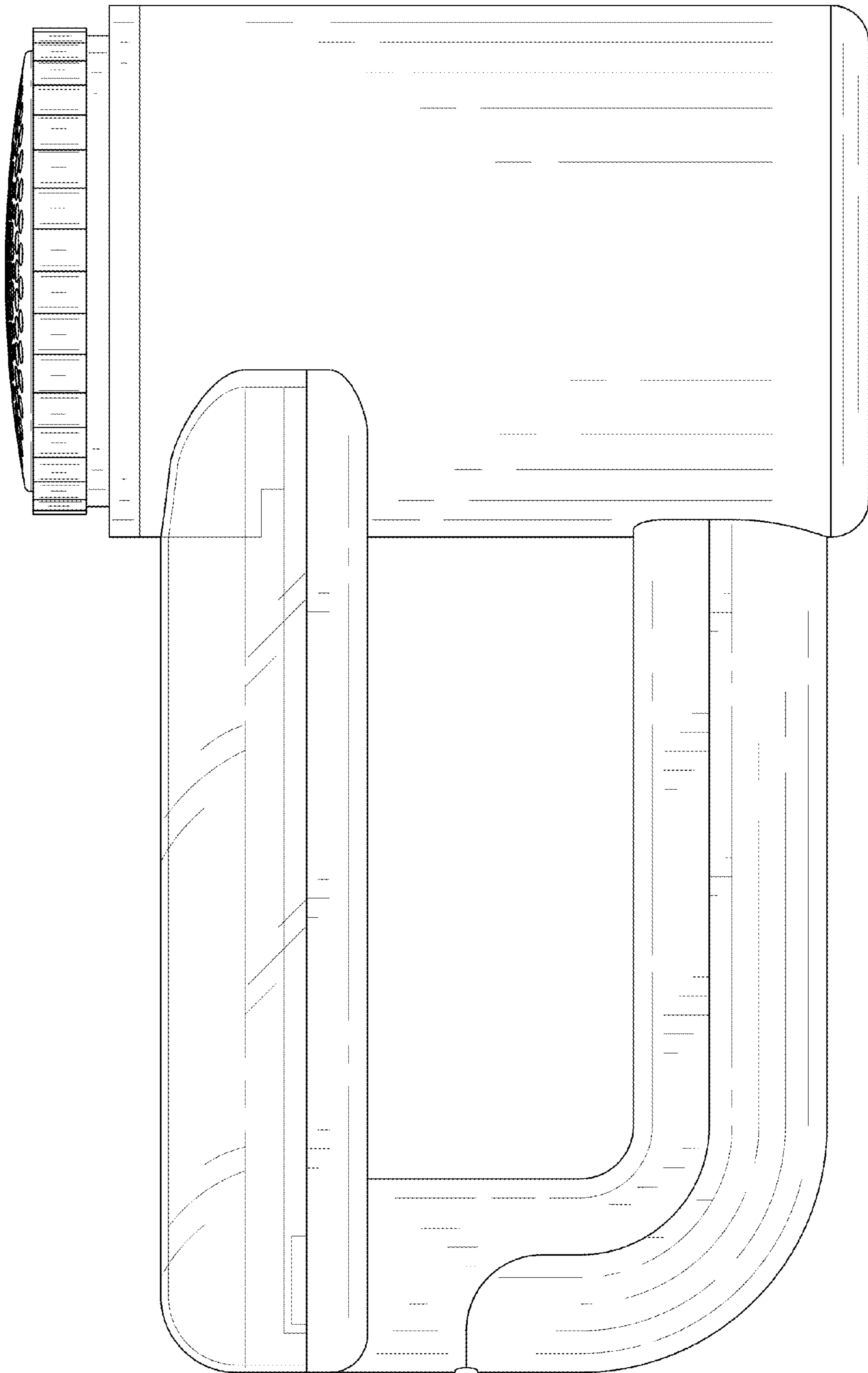


Fig. 2

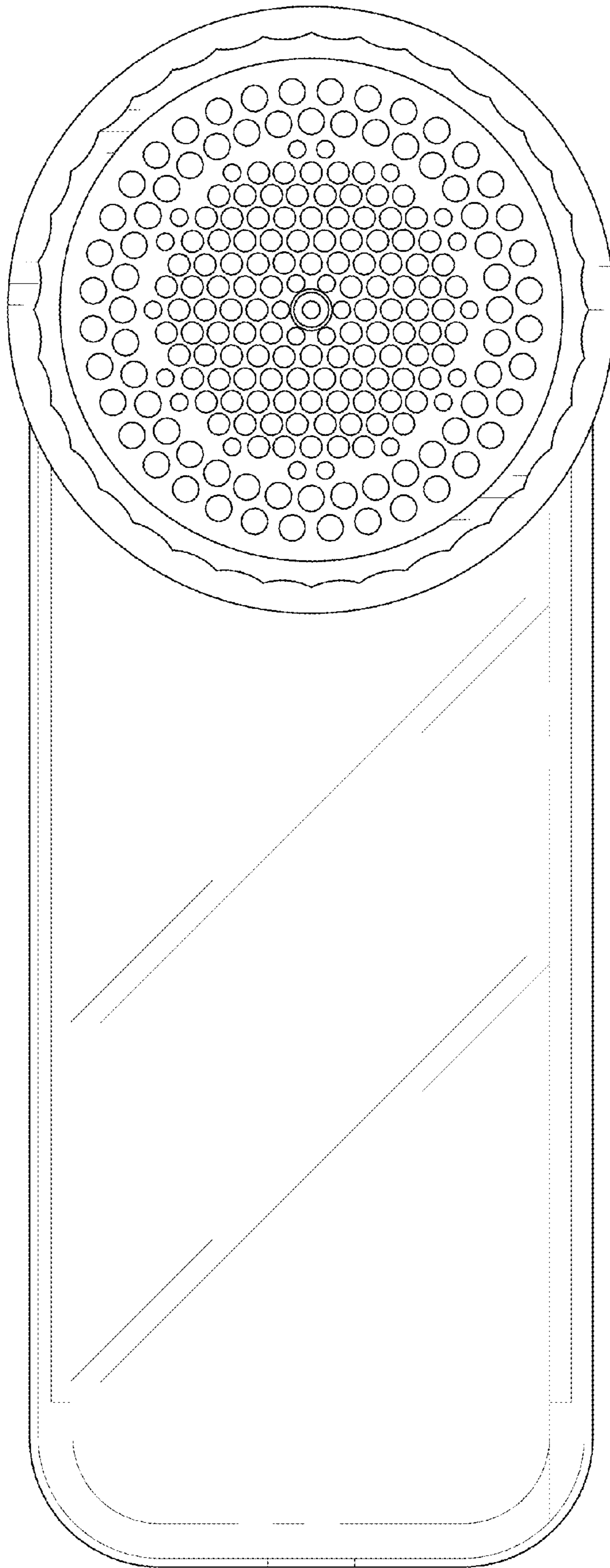


Fig. 3

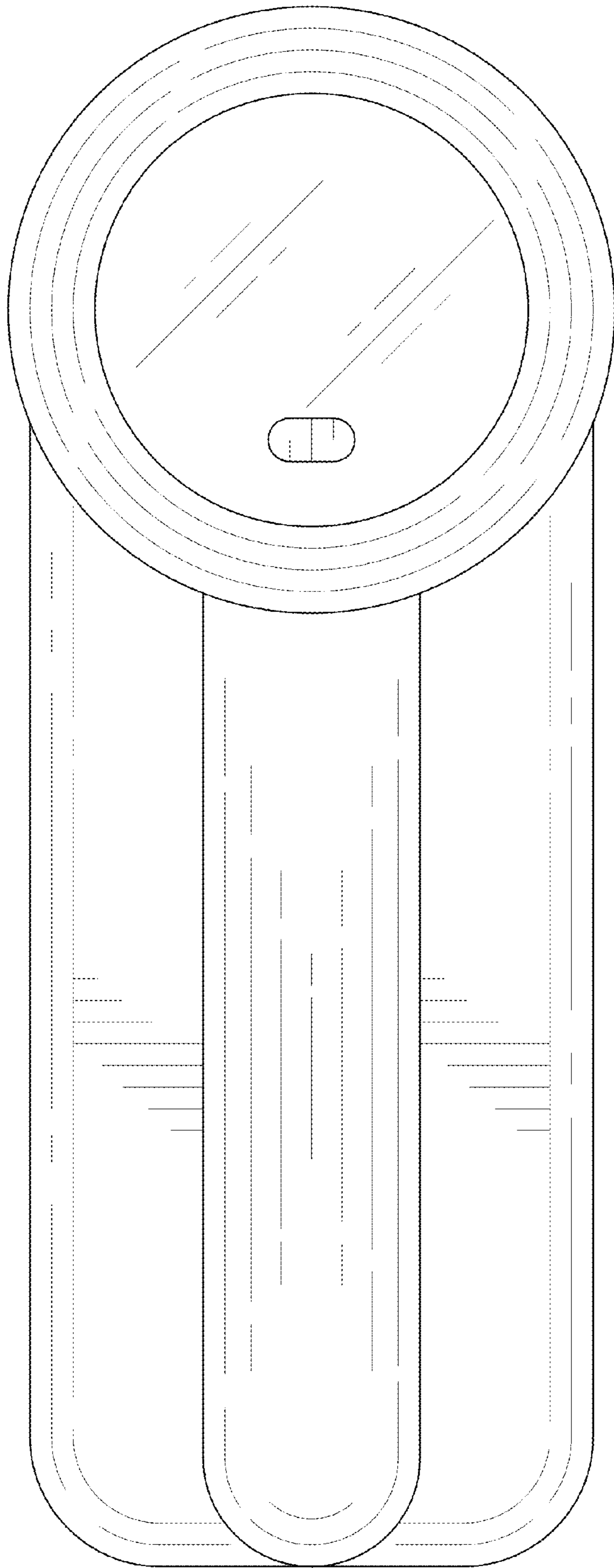


Fig. 4

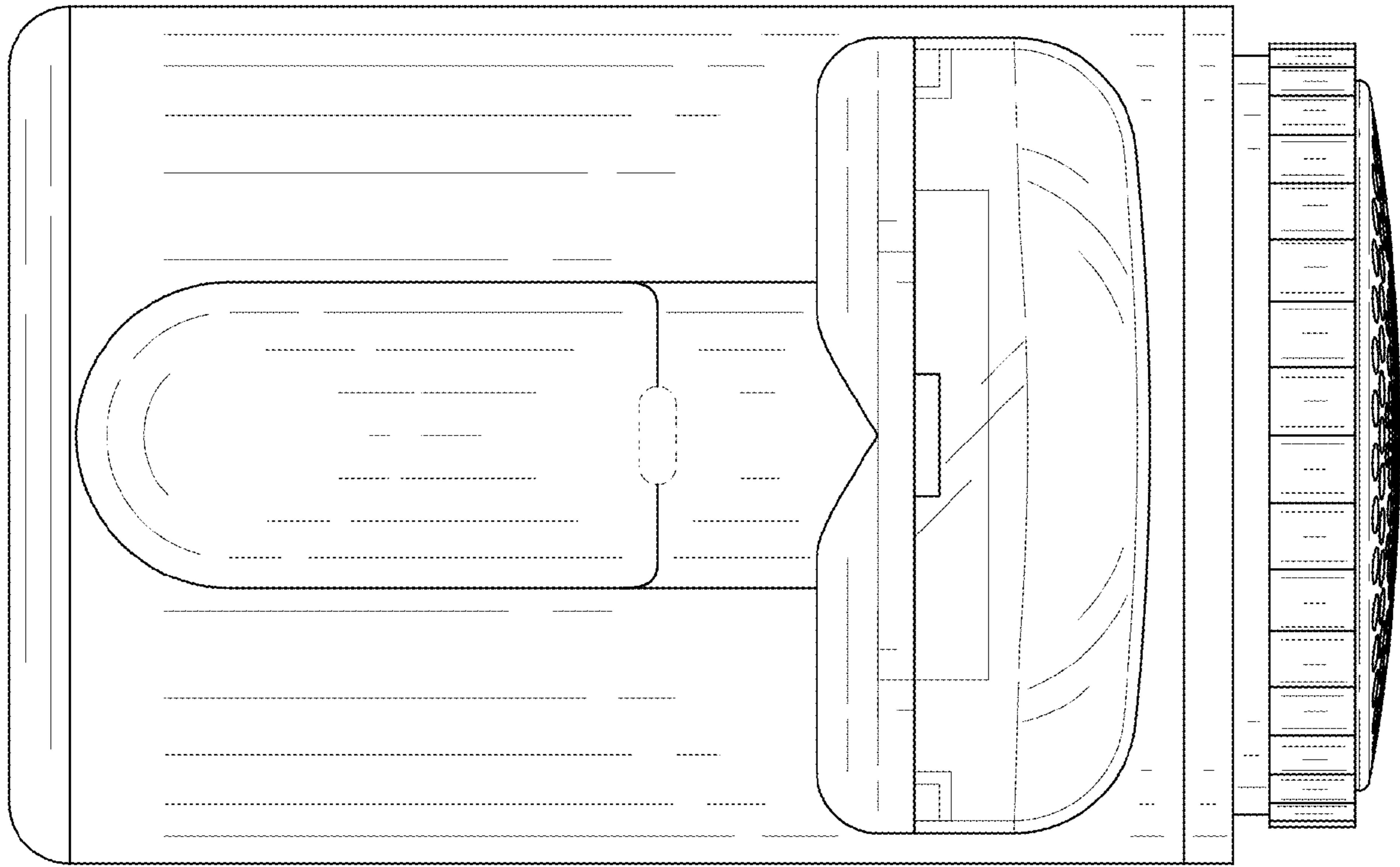


Fig.5



Fig. 6

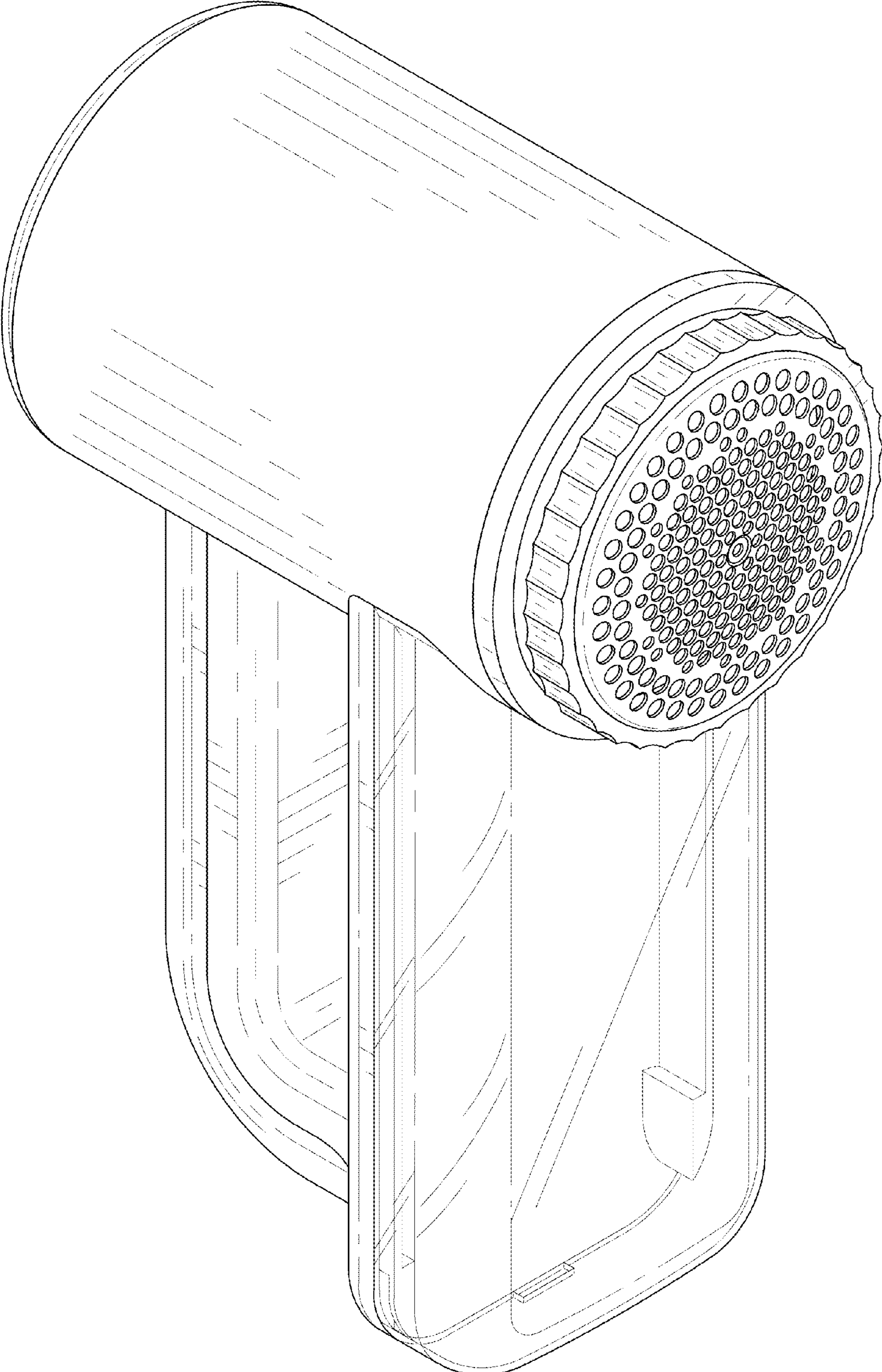


Fig. 7