



US00D930901S

(12) **United States Design Patent** (10) **Patent No.:** **US D930,901 S**
Park et al. (45) **Date of Patent:** **** Sep. 14, 2021**

(54) **HAIR APPLIANCE**
(71) Applicant: **LG ELECTRONICS INC.**, Seoul (KR)
(72) Inventors: **Sunjung Park**, Seoul (KR); **Daekee Shin**, Seoul (KR); **Hophil Lee**, Seoul (KR)
(73) Assignee: **LG ELECTRONICS INC.**, Seoul (KR)

2010/0300477 A1* 12/2010 Keong A45D 1/28
132/269
2011/0079237 A1* 4/2011 Price A45D 2/001
132/224
2015/0313339 A1* 11/2015 Moore A45D 20/08
132/224

(Continued)

FOREIGN PATENT DOCUMENTS

CN 305805277 * 12/2019

OTHER PUBLICATIONS

Ceramic Touch Professional Hair Straightener [online], [site visited Feb. 9, 2021]. Available from internet, URL:<<https://www.zalahair.com/ceramic-touch-professional-hair-straightener.html>> (Year: 2020).*

(Continued)

(**) Term: **15 Years**
(21) Appl. No.: **29/713,476**
(22) Filed: **Nov. 15, 2019**
(30) **Foreign Application Priority Data**
May 17, 2019 (WO) WIPO83636
(51) **LOC (13) Cl.** **28-03**
(52) **U.S. Cl.**
USPC **D28/35**
(58) **Field of Classification Search**
USPC D28/10, 35, 37, 38
CPC A45D 2/00; A45D 2001/045; A45D 1/16;
A45D 1/04; A45D 1/18; A45D 1/06-14;
A45D 2/02-10; A45D 2/38-42; A45D
2/001-002
See application file for complete search history.

Primary Examiner — Cynthia Ramirez
Assistant Examiner — Xavier Marti-Santos
(74) *Attorney, Agent, or Firm* — Birch, Stewart, Kolasch & Birch, LLP

(57) **CLAIM**

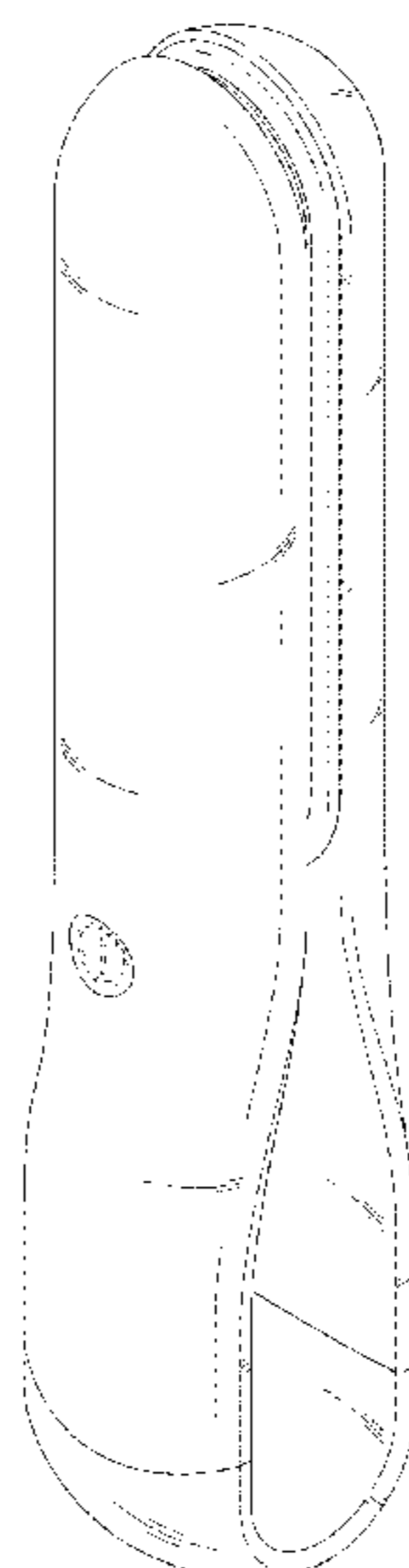
The ornamental design for a hair appliance, as shown and described.

DESCRIPTION

FIG. 1 is a front perspective view of the hair appliance showing our new design;
FIG. 2 is a front view thereof;
FIG. 3 is a back view thereof;
FIG. 4 is a left view thereof where the right view is a mirror image;
FIG. 5 is a top view thereof;
FIG. 6 is a bottom view thereof; and,
FIG. 7 is another perspective view thereof in a condition of use.
The broken lines depict portions of the hair appliance that form no part of the claimed design.

1 Claim, 7 Drawing Sheets

(56) **References Cited**
U.S. PATENT DOCUMENTS
D623,306 S * 9/2010 Boyer D24/200
D670,396 S * 11/2012 Doogan D24/200
D700,347 S * 2/2014 Sedic D24/215
D719,296 S * 12/2014 Brady D28/35
D719,662 S * 12/2014 Pope D24/191
9,848,683 B2 * 12/2017 Sayers A45D 1/06
10,455,916 B2 * 10/2019 Moore A45D 20/08



(56)

References Cited

U.S. PATENT DOCUMENTS

2017/0127784 A1* 5/2017 Rees-Jones A45D 6/12

OTHER PUBLICATIONS

Ghd platinum+ black styler [online], [site visited Feb. 9, 2021].
Available from internet, URL:<<https://www.ghdhair.com/us/ghd-platinum/ghd-platinum-plus-black-styler>> (Year: 2018).*

* cited by examiner

FIG. 1

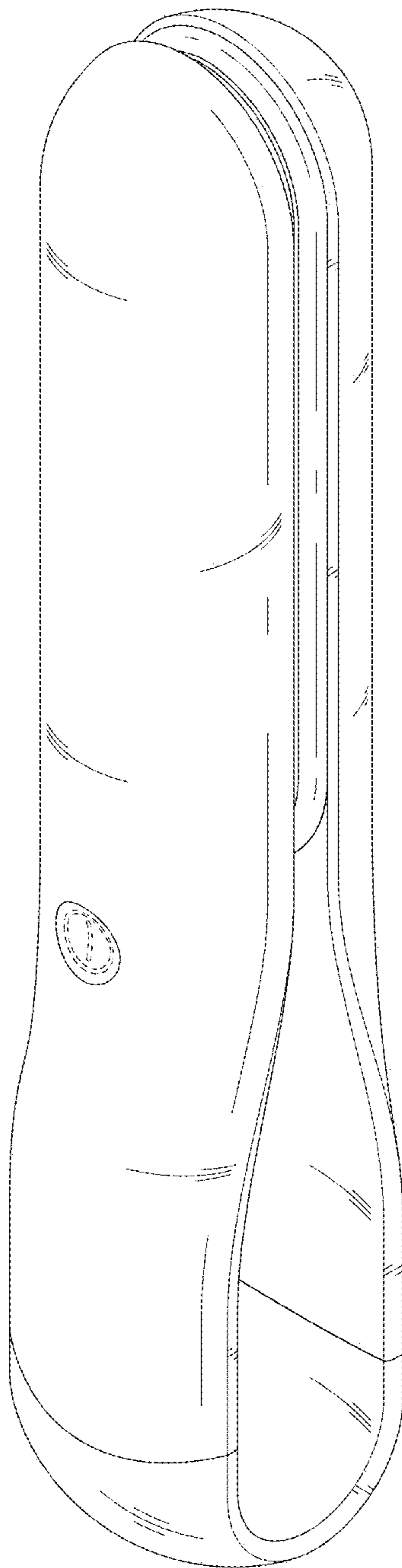


FIG. 2

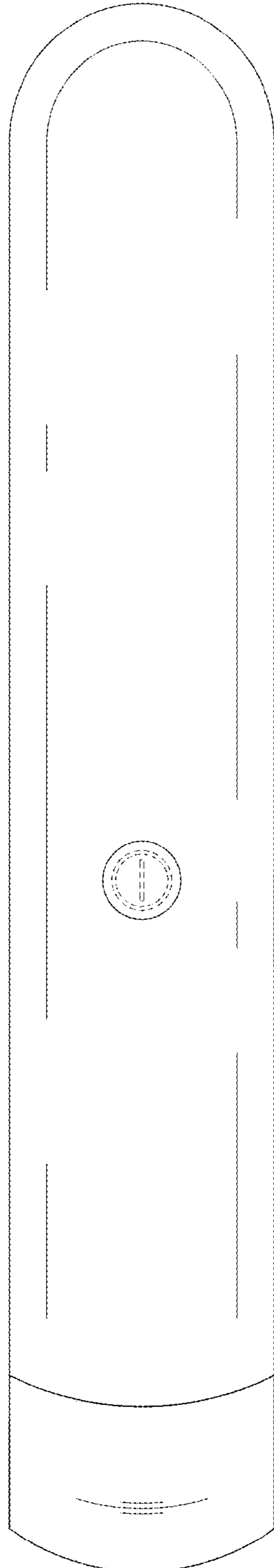


FIG. 3

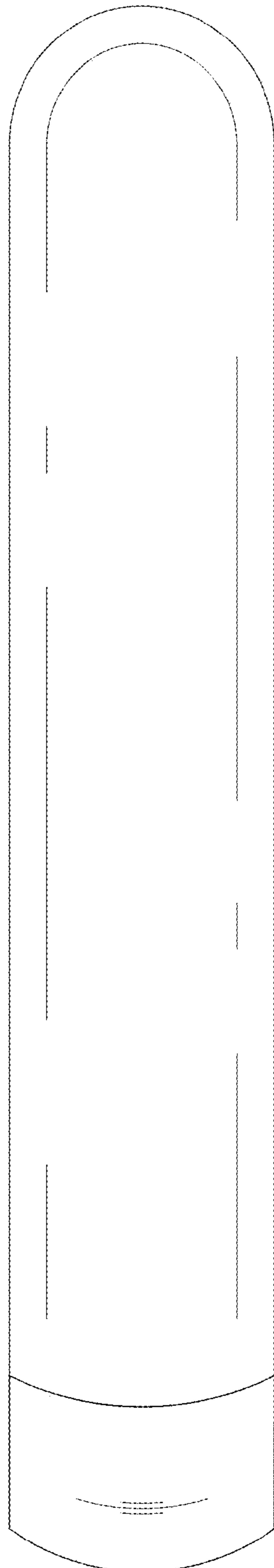


FIG. 4

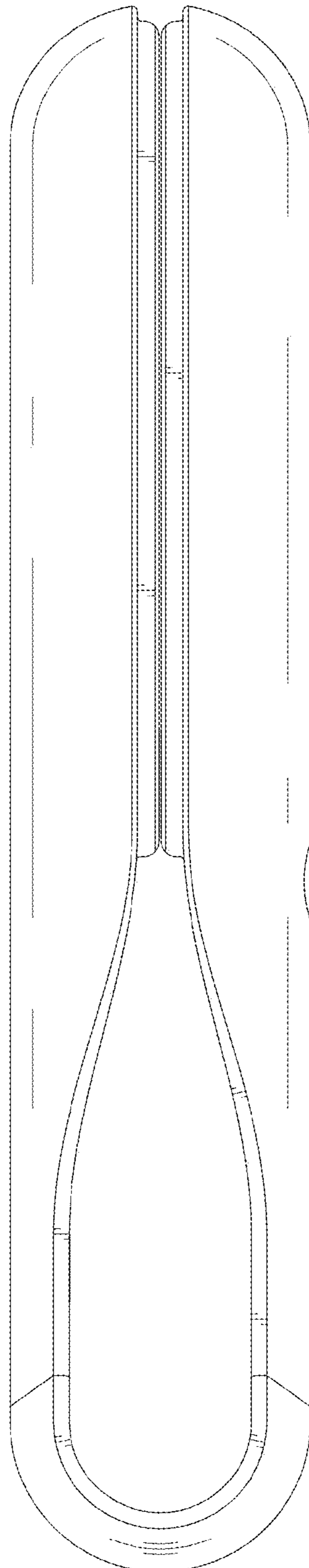


FIG. 5

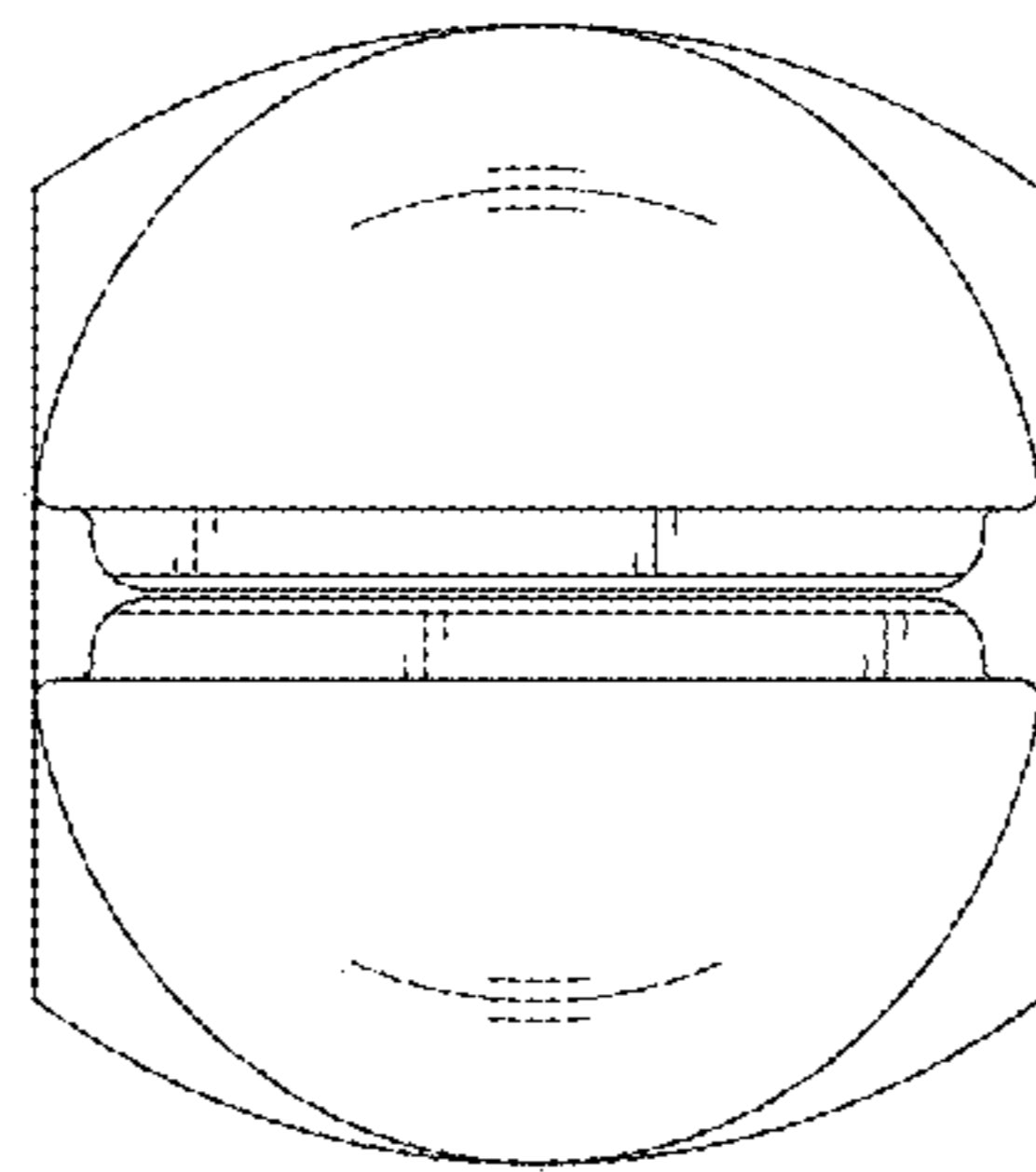


FIG. 6

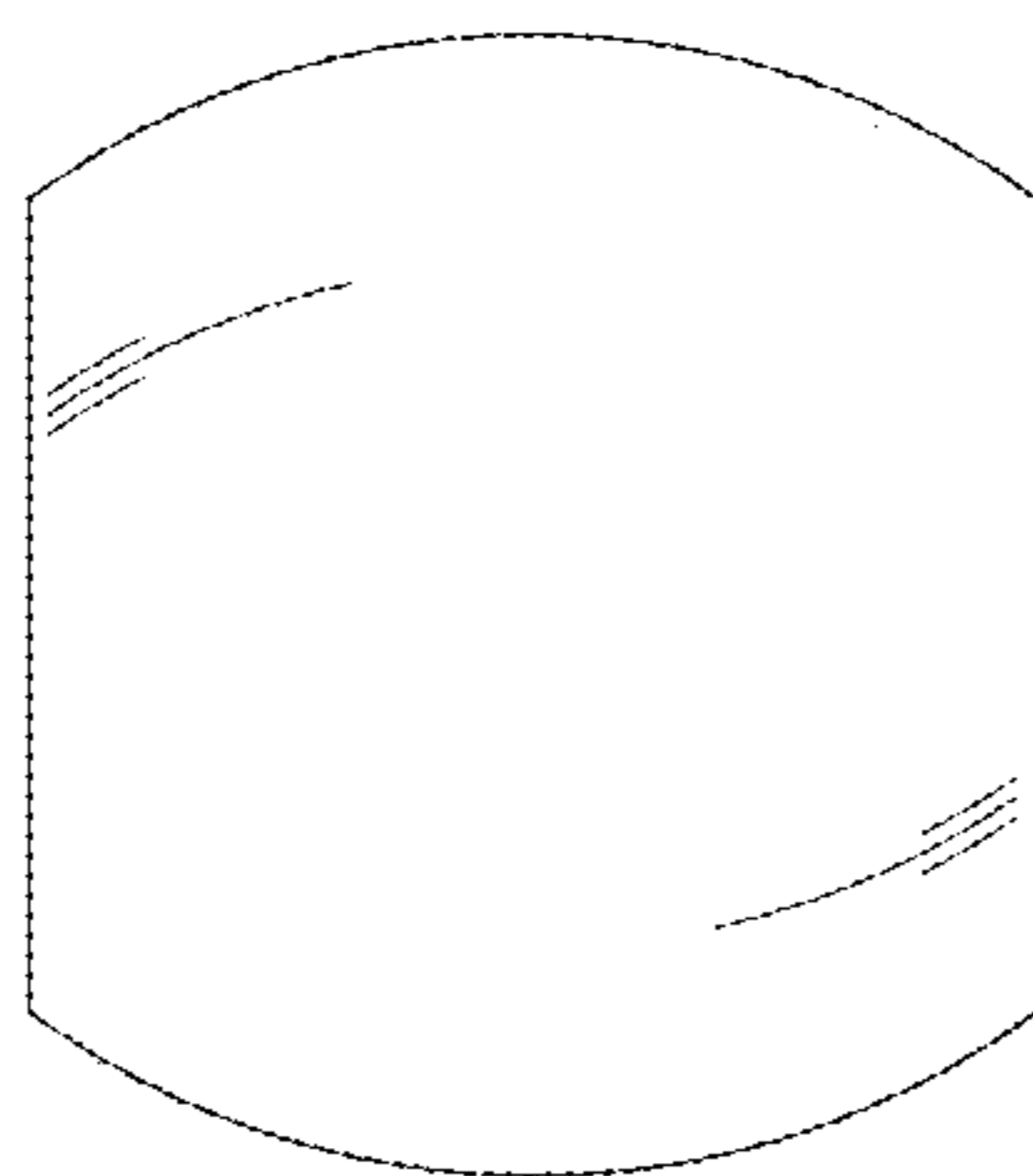


FIG. 7

