



US00D930899S

(12) **United States Design Patent**
Zhang

(10) **Patent No.:** **US D930,899 S**

(45) **Date of Patent:** **** Sep. 14, 2021**

(54) **HAIR DRIER**

(71) Applicant: **Zengdong Zhang**, Taizhou (CN)

(72) Inventor: **Zengdong Zhang**, Taizhou (CN)

(**) Term: **15 Years**

(21) Appl. No.: **29/723,935**

(22) Filed: **Feb. 12, 2020**

(30) **Foreign Application Priority Data**

Aug. 13, 2019 (CN) 201930437336.8

(51) **LOC (13) Cl.** **28-03**

(52) **U.S. Cl.**
USPC **D28/13**

(58) **Field of Classification Search**
USPC D28/12-19; D8/29.1
CPC A45D 20/00; A45D 20/08; A45D 20/10;
A45D 20/12; A45D 20/122; A45D
20/124; A45D 2020/128
See application file for complete search history.

(56) **References Cited**

U.S. PATENT DOCUMENTS

D293,020 S * 12/1987 Steinel D23/332
D350,217 S * 8/1994 Rizzuto, Jr. D28/13

D355,048 S * 1/1995 Soresina D28/13
D460,214 S * 7/2002 Parodi D28/13
D537,566 S * 2/2007 Kondo D28/13
D541,980 S * 5/2007 Morgandi D28/13
D670,026 S * 10/2012 Hong D28/13
D867,658 S * 11/2019 Huang D28/13

* cited by examiner

Primary Examiner — Zenia I Bennett

(57) **CLAIM**

The ornamental design for a hair drier, as shown and described.

DESCRIPTION

FIG. 1 is a first perspective view of a hair drier showing my new design;

FIG. 2 is a second perspective view thereof;

FIG. 3 is a front view thereof;

FIG. 4 is a back view thereof;

FIG. 5 is a left side view thereof;

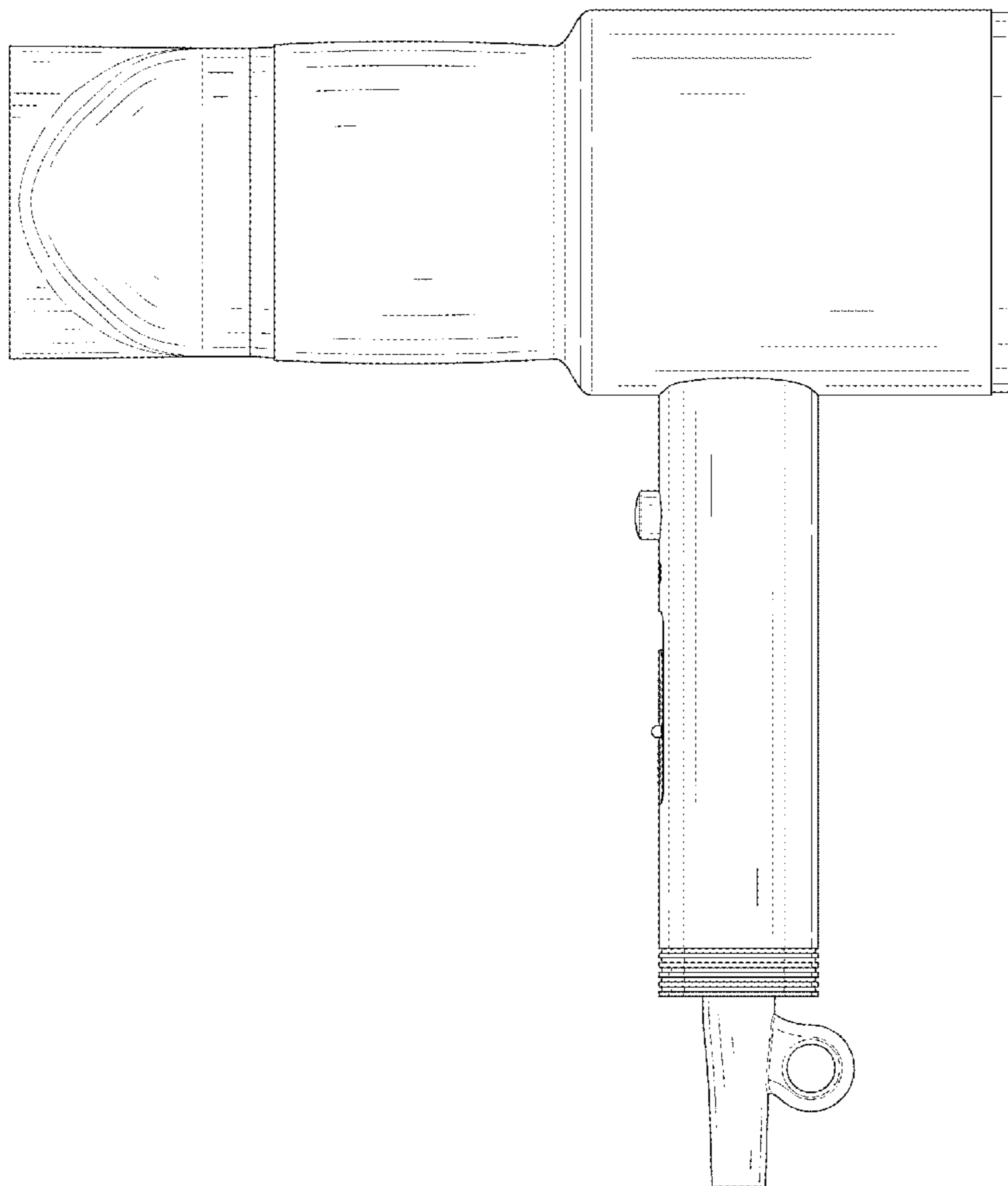
FIG. 6 is a right side view thereof;

FIG. 7 is a top view thereof; and,

FIG. 8 is a bottom view thereof.

The broken lines shown in the drawings depict portions of the hair drier in which the design is embodied that form no part of the claimed design.

1 Claim, 8 Drawing Sheets



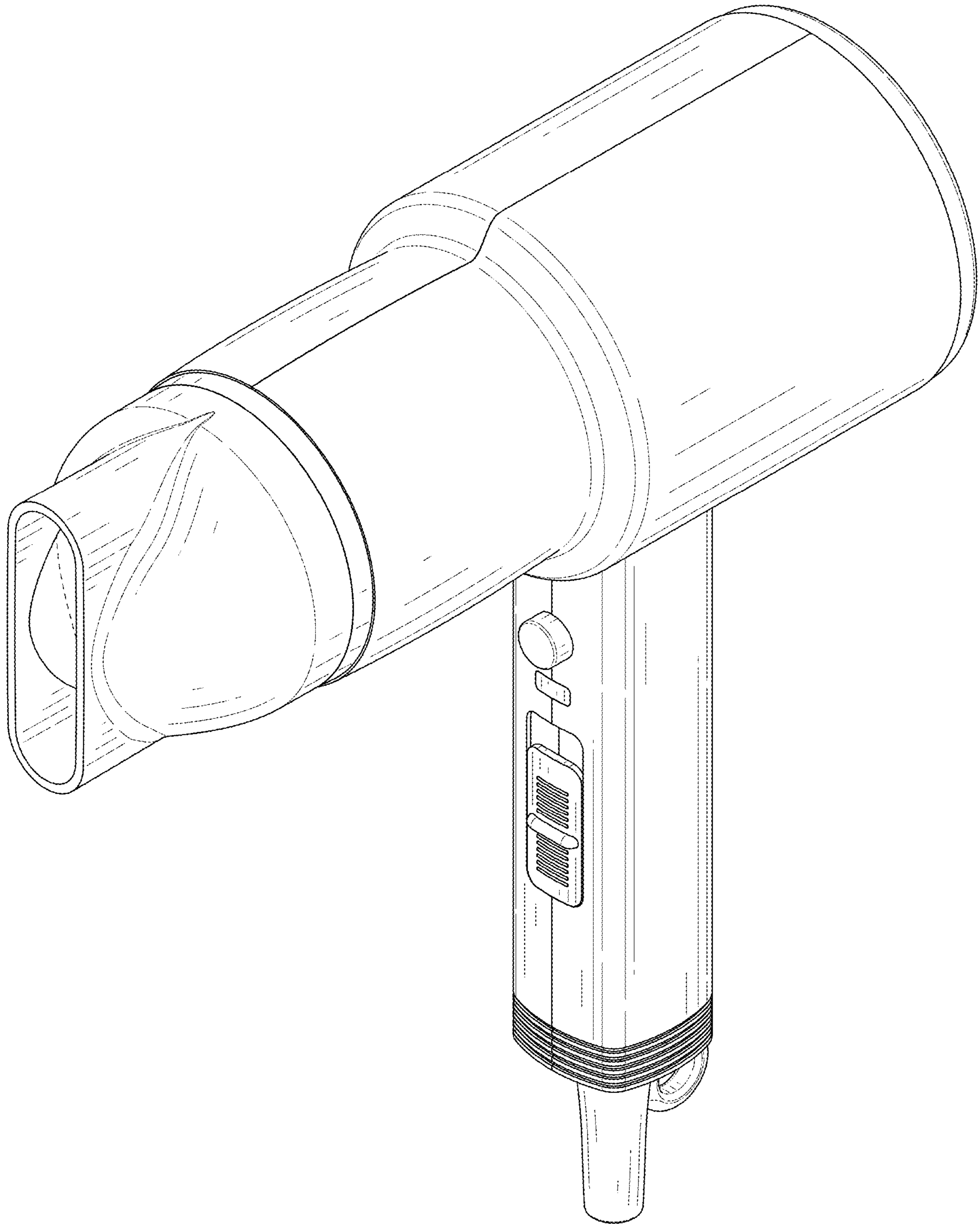


FIG. 1

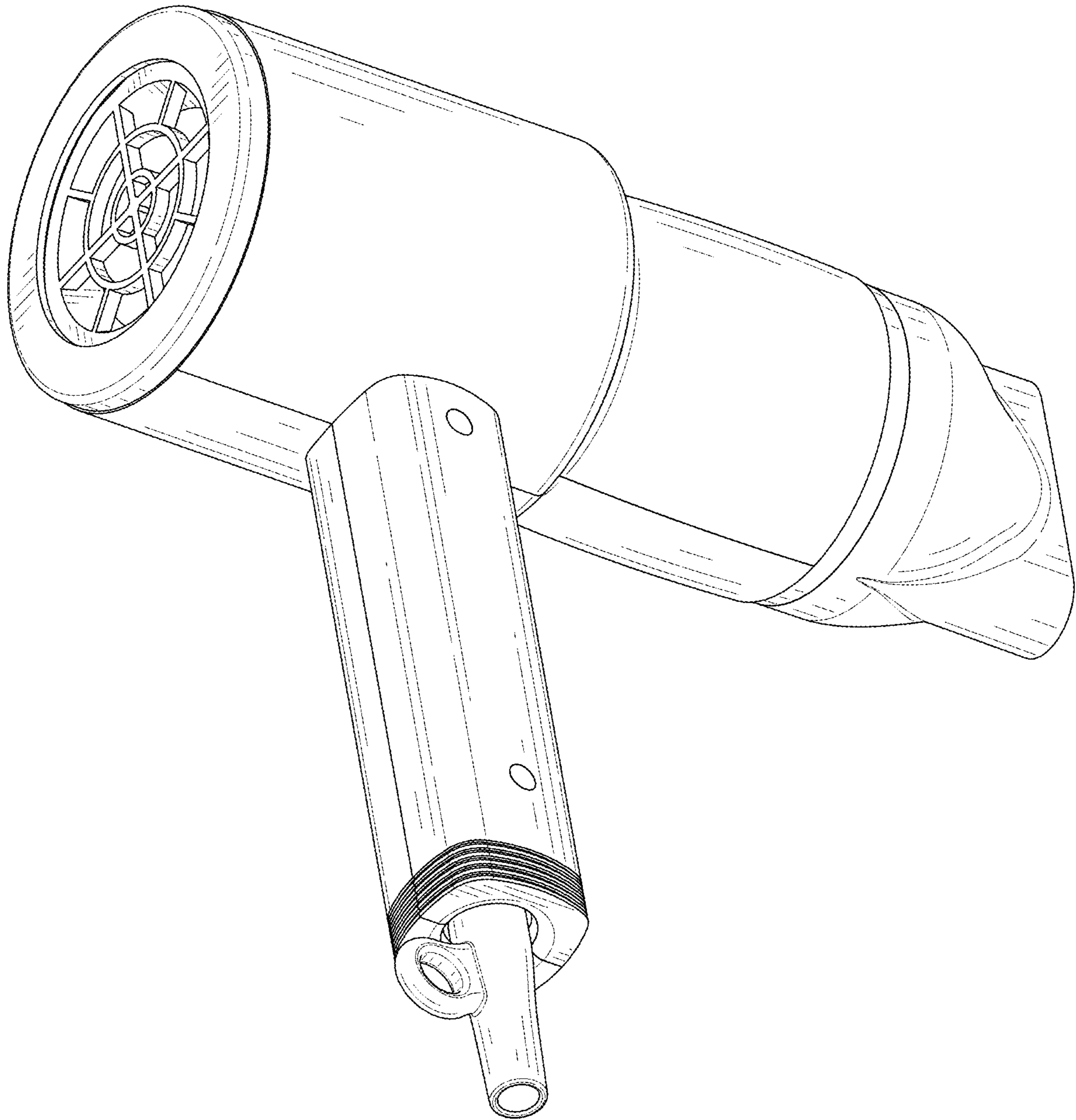


FIG. 2

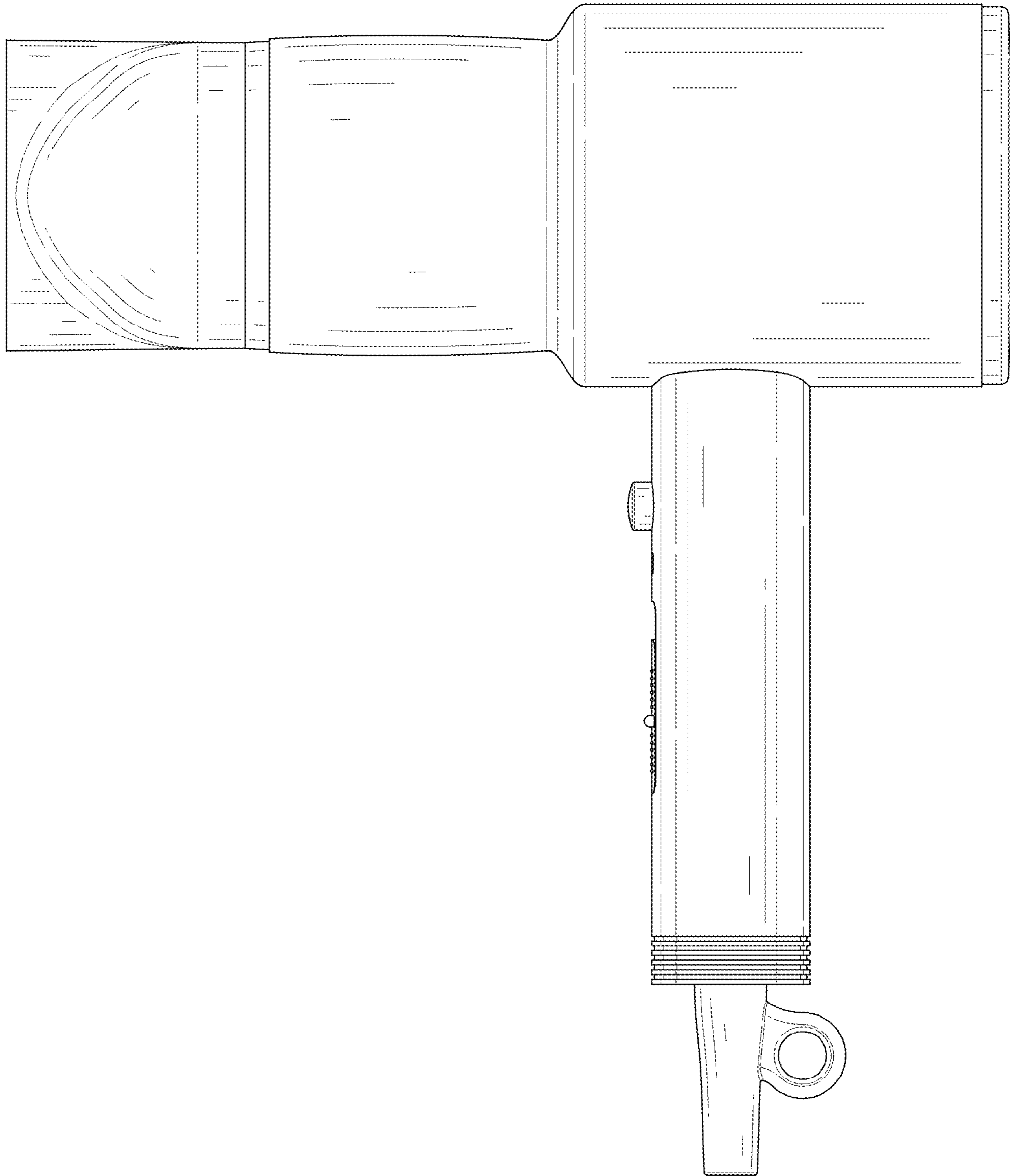


FIG. 3

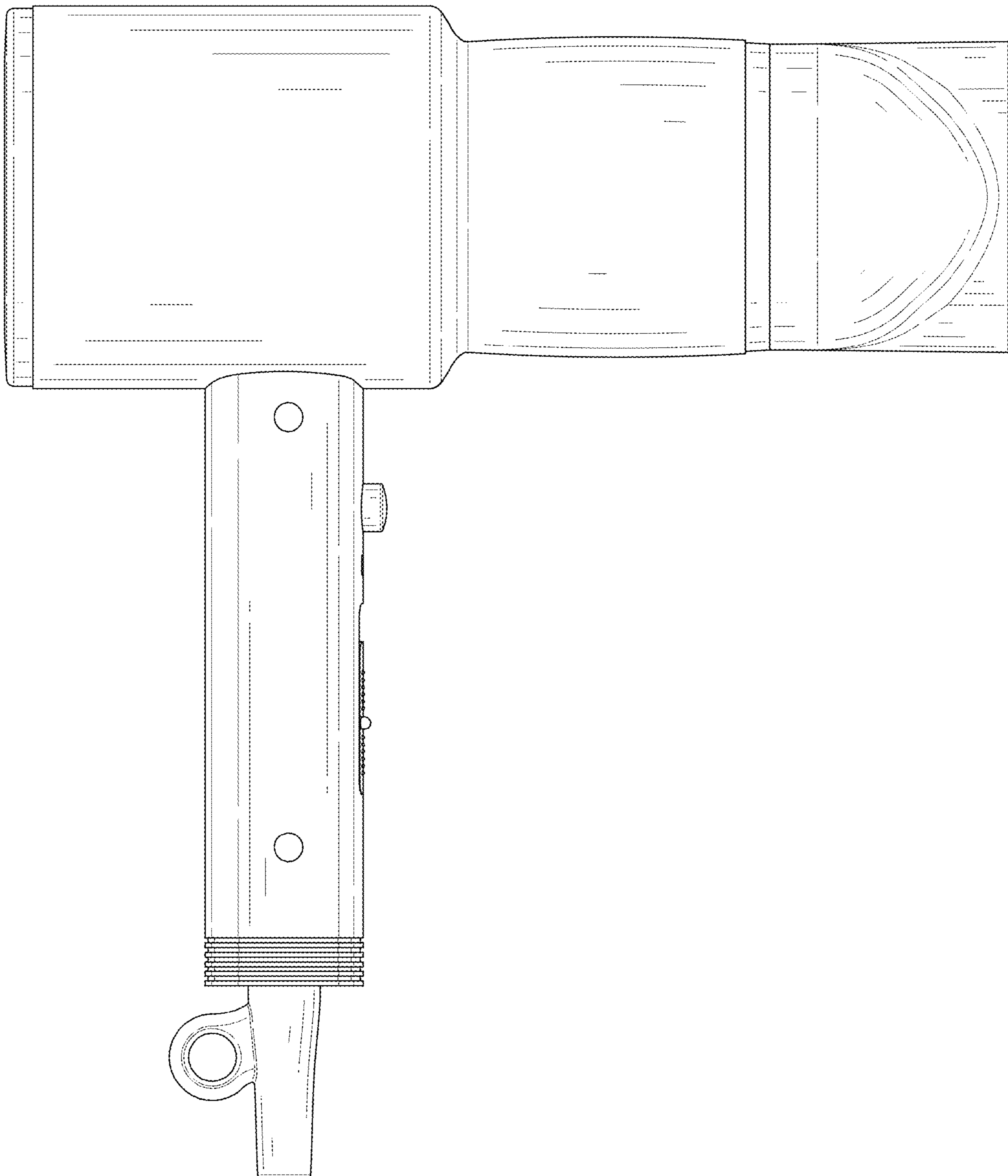


FIG. 4

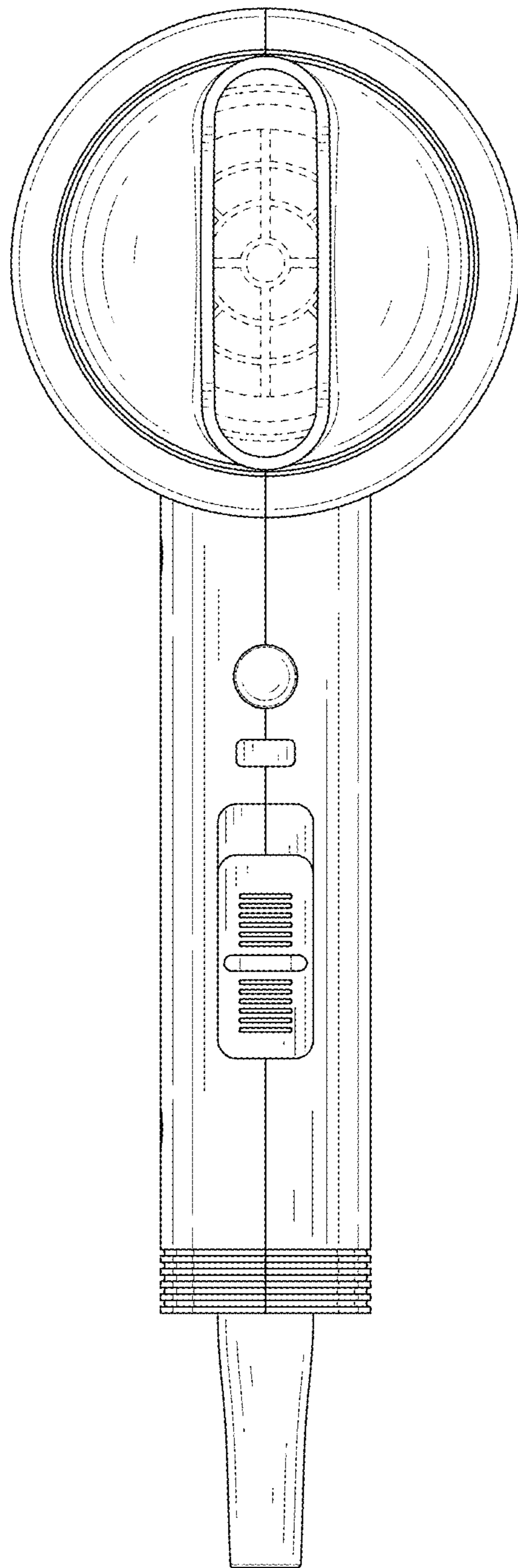


FIG. 5

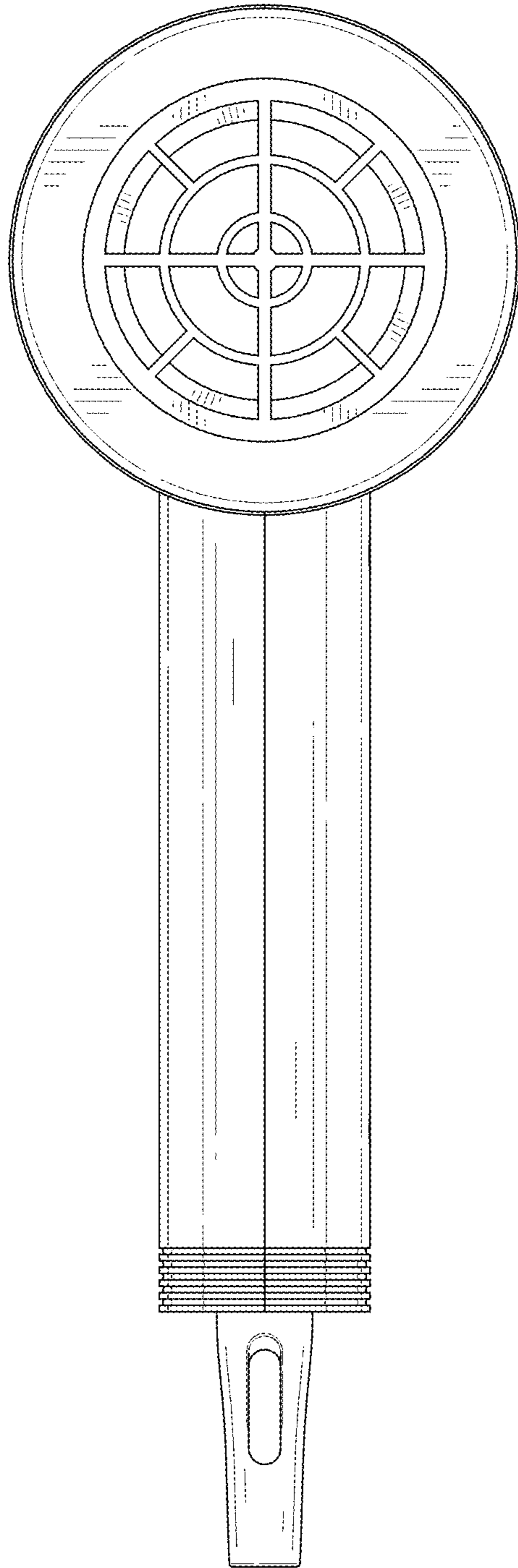


FIG. 6

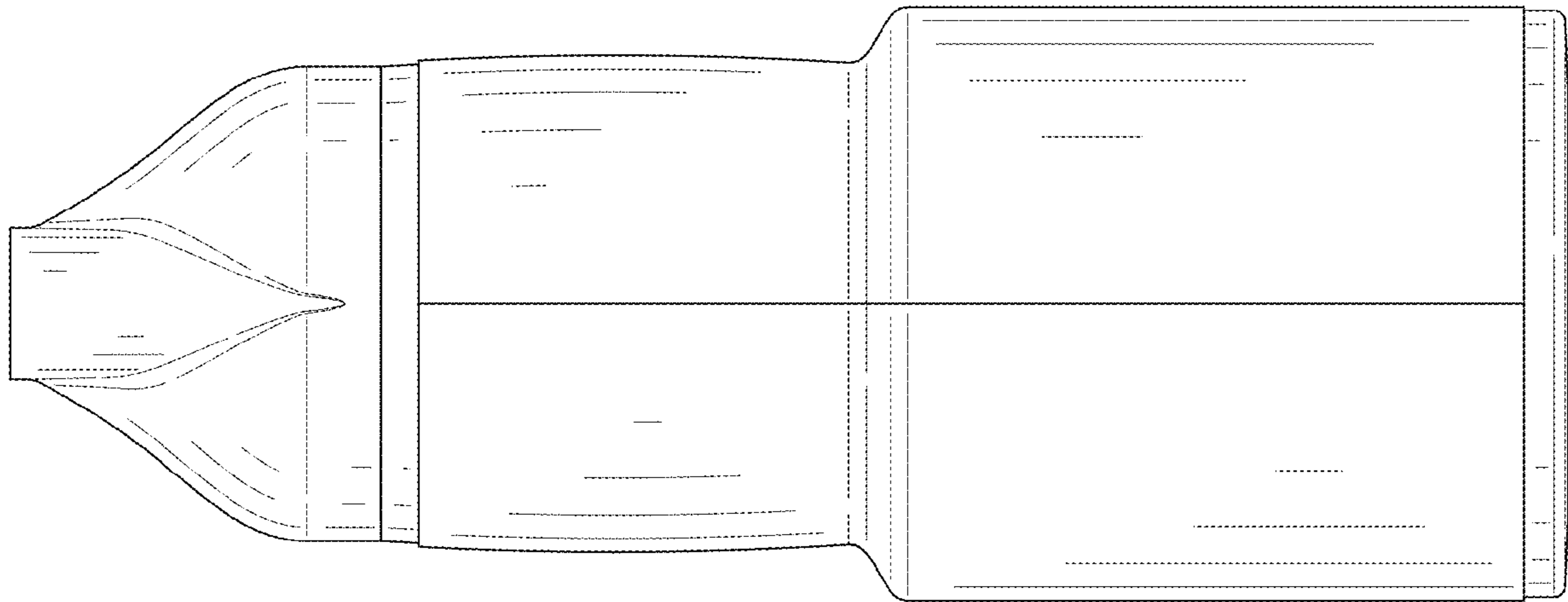


FIG. 7

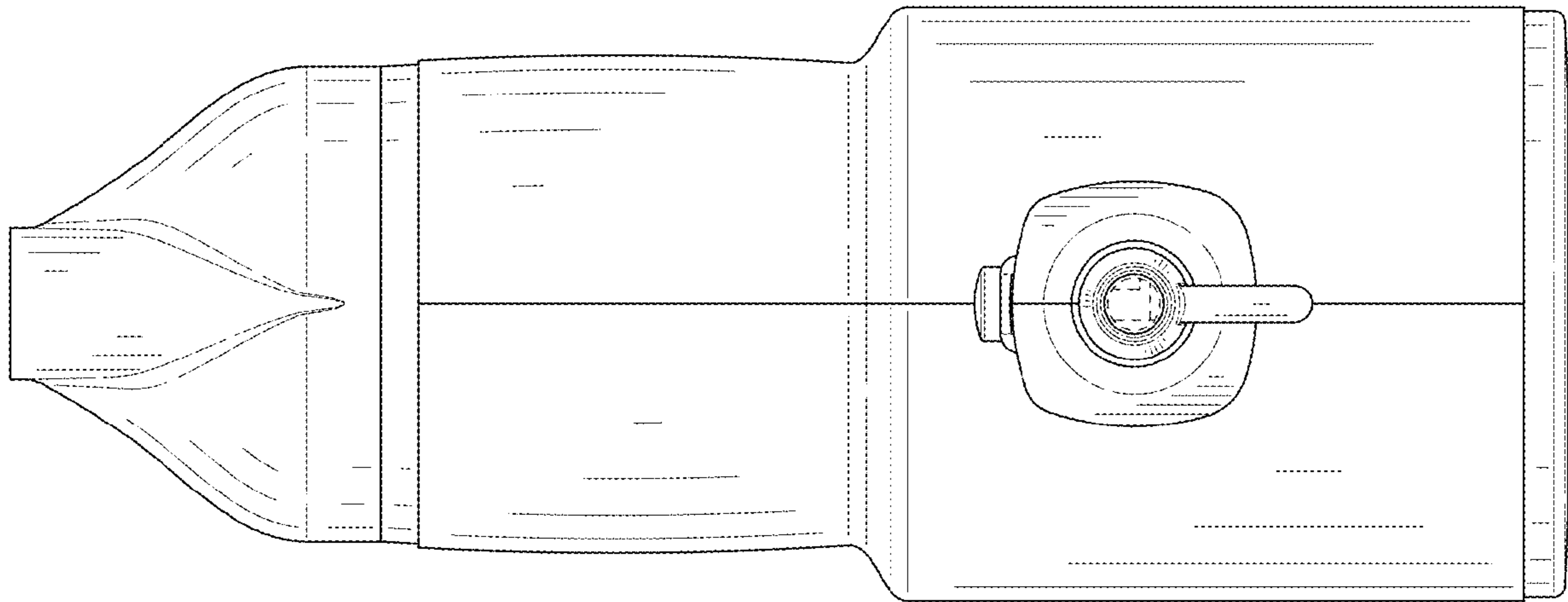


FIG. 8