



US00D930898S

(12) **United States Design Patent** (10) **Patent No.:** **US D930,898 S**
Choe (45) **Date of Patent:** **** Sep. 14, 2021**

(54) **VAPE PEN CARRYING CASE**

(71) Applicant: **Vessel Brand, Inc.**, Carlsbad, CA (US)

(72) Inventor: **James Choe**, Carlsbad, CA (US)

(73) Assignee: **Vessel Brand, Inc.**, Carlsbad, CA (US)

(**) Term: **15 Years**

(21) Appl. No.: **29/717,689**

(22) Filed: **Dec. 18, 2019**

(51) **LOC (13) Cl.** **27-06**

(52) **U.S. Cl.**
USPC **D27/189; D3/301**

(58) **Field of Classification Search**

USPC ... D3/203.1–203.8, 205–206, 215, 219, 226,
D3/247, 250–252, 263–266, 273,
D3/293–294, 298–299, 301, 303, 315,
D3/901; D6/515, 517, 534, 536;
D7/600.1, 600.4, 637; D9/734, 759–760;
D19/101–103, 106, 194–195; D27/172,
D27/180, 183, 186, 189–191; D28/73,
D28/76, 85–86, 91
CPC .. A24F 9/16; A24F 13/14; A24F 15/00; A24F
15/12; A24F 15/14; A24F 15/18; A24F
15/20; A24F 23/00; A24F 23/04; A24F
47/002; A24F 47/008; A45C 3/00; A45C
5/00; A45C 5/005; A45C 5/04; A45C
7/00; A45C 9/00; A45C 11/00; A45C
11/008; A45C 11/04; A45C 11/16; A45C

(Continued)

(56) **References Cited**

U.S. PATENT DOCUMENTS

5,004,106 A * 4/1991 Blumstock A45C 11/24
206/581
D429,563 S * 8/2000 Kurano D3/226

(Continued)

OTHER PUBLICATIONS

Rover Case, unknown first available date, vesselbrand.com [online], [site visited Apr. 22, 2021], Available at internet URL: https://www.vesselbrand.com/collections/rover-case/products/rover-case (Year: 2021).*

(Continued)

Primary Examiner — April Rivas

Assistant Examiner — Caitlin A Laverty

(74) *Attorney, Agent, or Firm* — Lapple Ubell IP Law, LLP; Matthew C. Lapple

(57) **CLAIM**

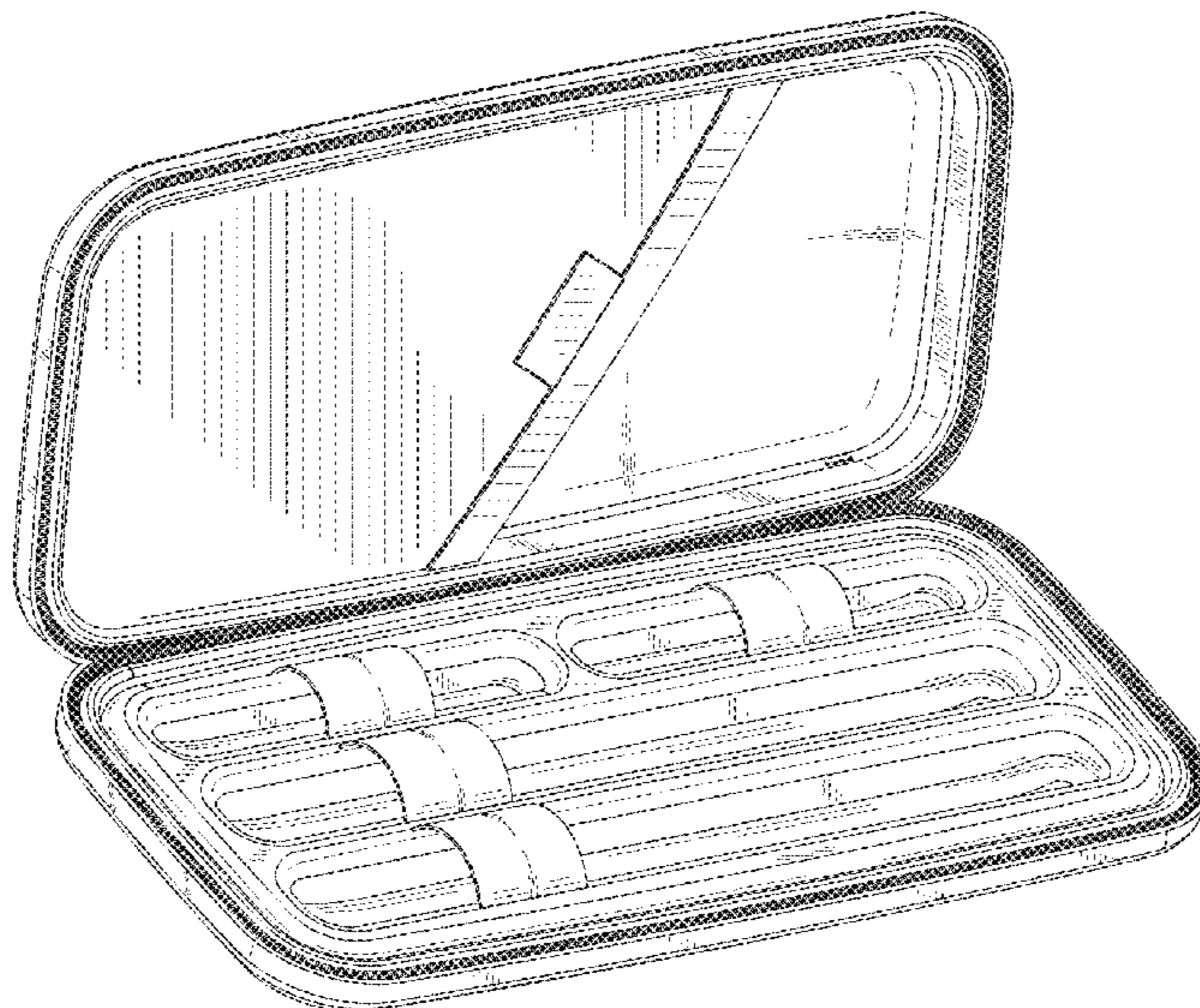
The ornamental design for a vape pen carrying case, as shown and described.

DESCRIPTION

FIG. 1 is a front perspective view of a vape pen carrying case, in a closed position, showing my new design;
FIG. 2 is a top view thereof;
FIG. 3 is a bottom view thereof;
FIG. 4 is a right side view thereof;
FIG. 5 is a left side view thereof;
FIG. 6 is a back view thereof;
FIG. 7 is a front view thereof;
FIG. 8 is a perspective view of the vape pen carrying case of FIG. 1, in an open position;
FIG. 9 is a top view of thereof, in an open position;
FIG. 10 is a bottom view thereof, in an open position;
FIG. 11 is a left side view thereof, in an open position;
FIG. 12 is a right side view thereof, in an open position;
FIG. 13 is a back view thereof, in an open position;
FIG. 14 is a front view thereof, in an open position; and,
FIG. 15 is a perspective view of the vape pen carrying case of FIG. 1, in an open position and in use to carry two vape pens and two vape pen cartridges.

The broken lines in the drawings show environmental subject matter only that form no part of the claimed design.

1 Claim, 9 Drawing Sheets



(58) **Field of Classification Search**

CPC 11/24; A45C 11/26; A45C 11/34; A45C 11/36; A45C 13/002; A45C 2011/007; A45D 33/12; A45D 33/14; A45D 33/22; A45D 33/24; A45D 33/26; A45D 33/28; A45D 34/00; A45D 34/04; A45D 34/041; A45D 34/06; A45D 40/00; A45D 40/18; A45D 40/26; A45D 40/261; A45D 40/262; A45D 44/11; A45D 44/18; A47F 7/02; A47F 7/021; A61J 1/00; A61J 1/03; A61J 7/04; A61J 7/0084; B65D 1/36; B65D 43/16; B65D 50/04; B65D 83/04; B65D 83/0445; B65D 83/0481; B65D 85/00; B65D 85/02; B65D 85/10
See application file for complete search history.

(56) **References Cited**

U.S. PATENT DOCUMENTS

6,364,100 B1 * 4/2002 Leibeck A45C 11/24
206/443
D675,434 S * 2/2013 Vernail D3/294
D740,018 S * 10/2015 Zhang D3/201
D776,340 S * 1/2017 Seibel D27/189

D808,168 S * 1/2018 Turczynskyj D3/301
D822,996 S * 7/2018 Ehara D3/301
D834,248 S * 11/2018 Cordani D27/172
D857,391 S * 8/2019 Coleman D3/301
D866,969 S * 11/2019 Cordani D3/301
D867,759 S * 11/2019 Liu D3/303
D879,462 S * 3/2020 Si D3/206
D880,860 S * 4/2020 Liu D3/303
D881,573 S * 4/2020 Liu D3/303
D894,588 S * 9/2020 Kwok D3/203.1
D899,772 S * 10/2020 Kauffman D3/294
2013/0140202 A1 * 6/2013 Benoit A45C 5/00
206/278

OTHER PUBLICATIONS

Durable Hard Shell Vape Case for Vape Pen and Mod, first available Dec. 29, 2016, amazon.com [online], [site visited Apr. 22, 2021], Available at internet URL: <https://www.amazon.com/Durable-Hard-shell-Vape-Case/dp/B01MR0T9RY> (Year: 2016).*
Electronic Vape E Pen Cigarettes DIY Kit Toolbox Ego Eva Zipper Hard Case Shell, first available Oct. 16, 2018, amazon.com [online], [site visited Apr. 22, 2021], Available at internet URL: <https://www.amazon.com/Electronic-Cigarettes-Toolbox-Zipper-Shell/dp/B07JF6D7RG> (Year: 2018).*

* cited by examiner

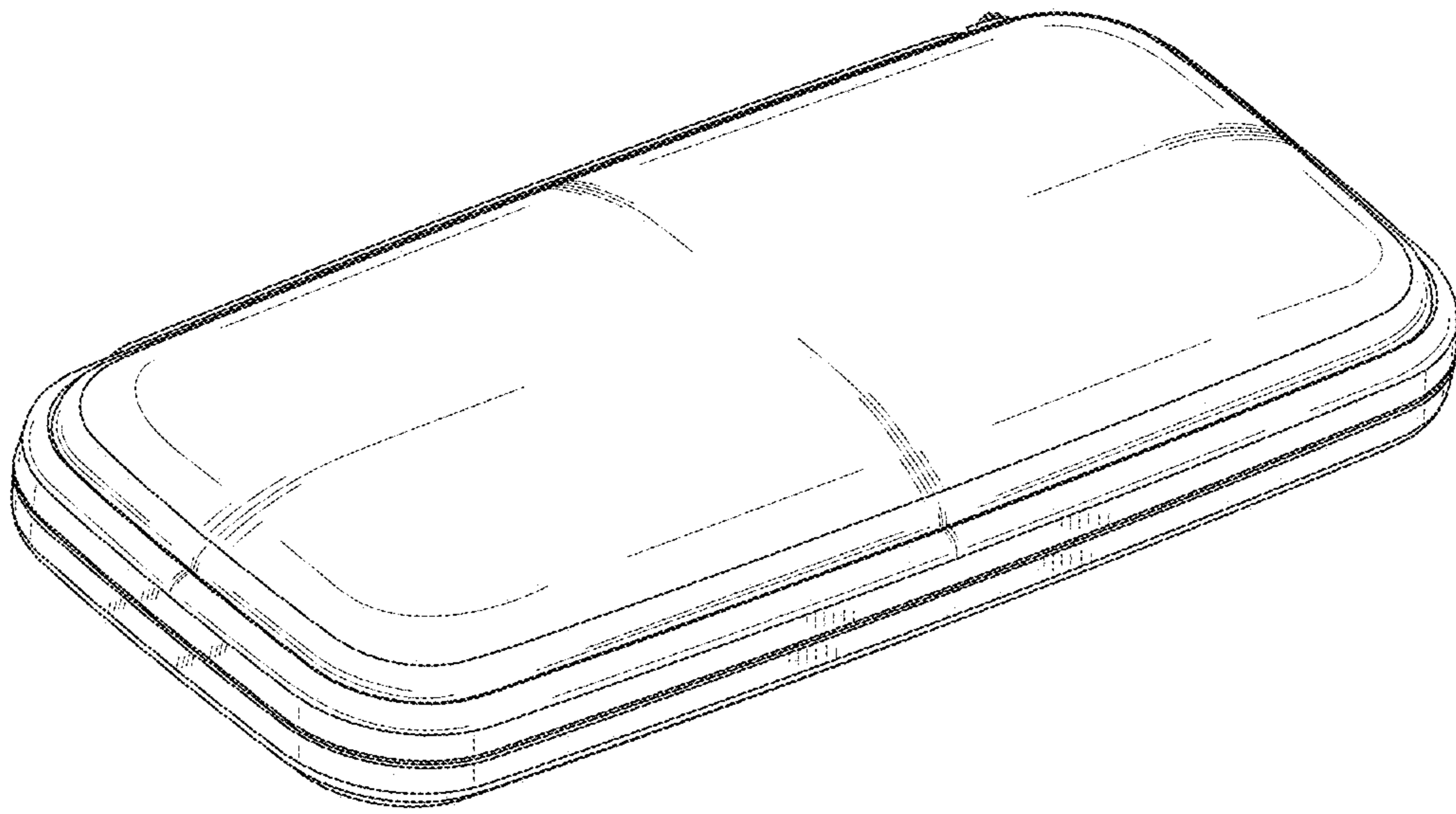


FIG. 1

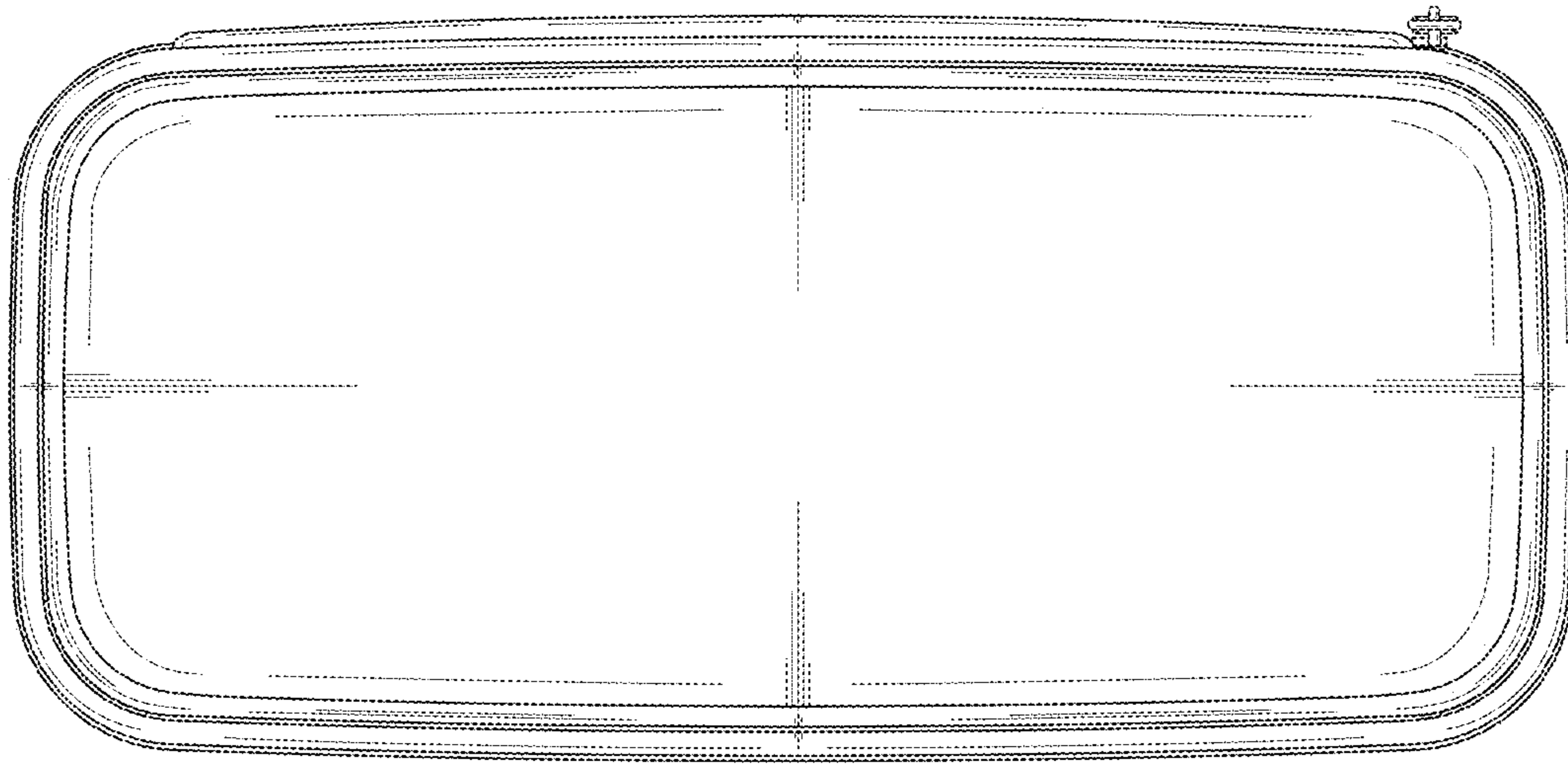


FIG. 2

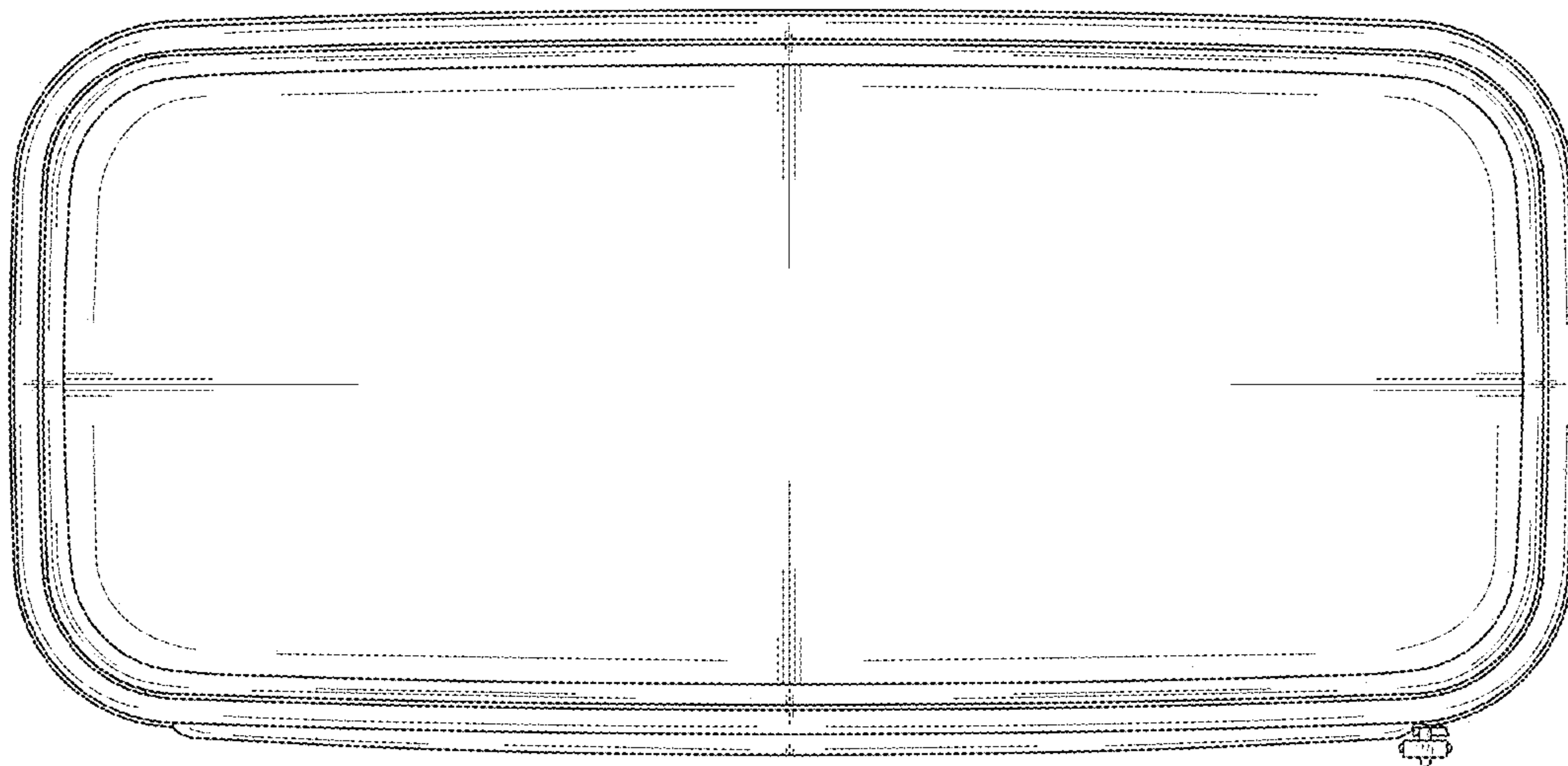


FIG. 3

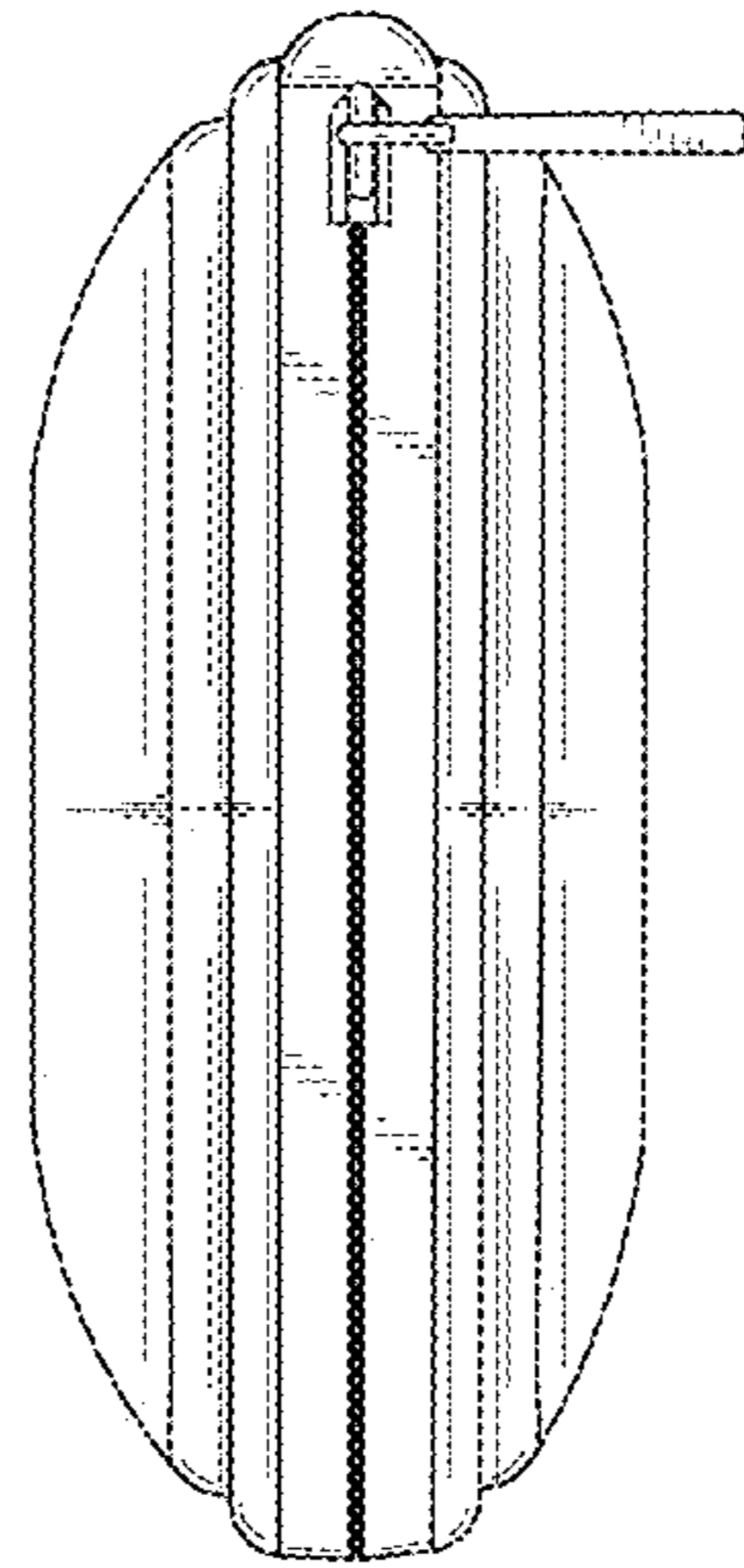


FIG. 4

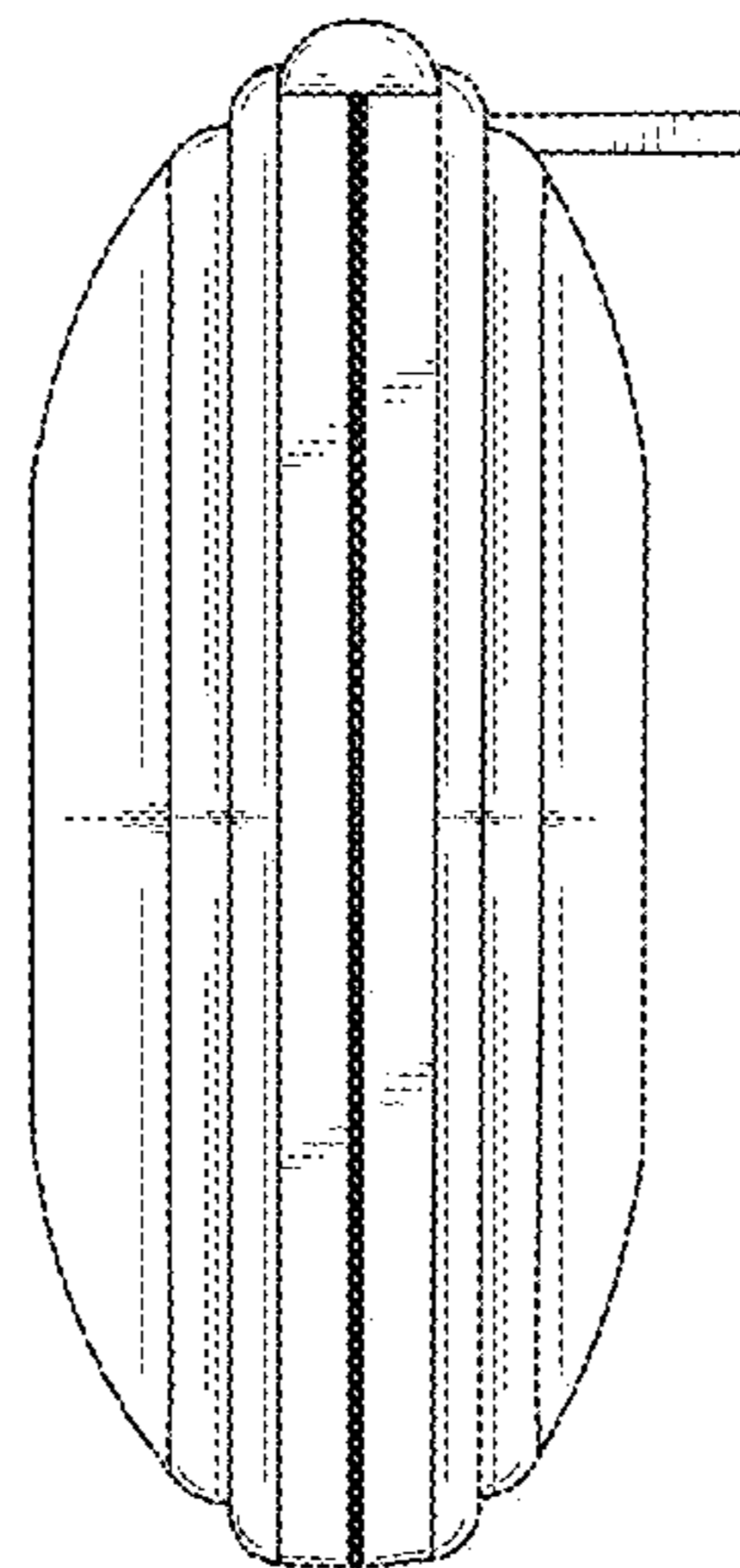


FIG. 5

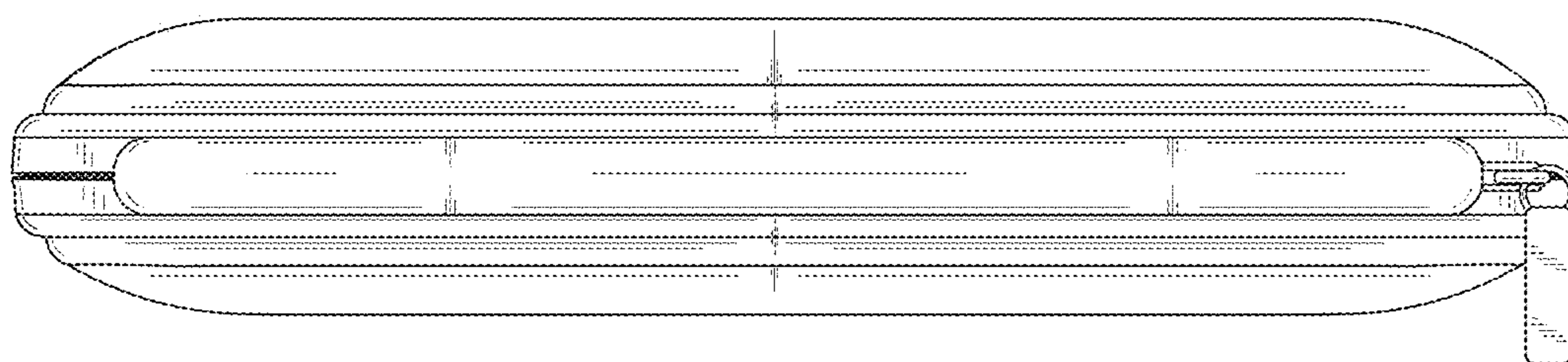


FIG. 6

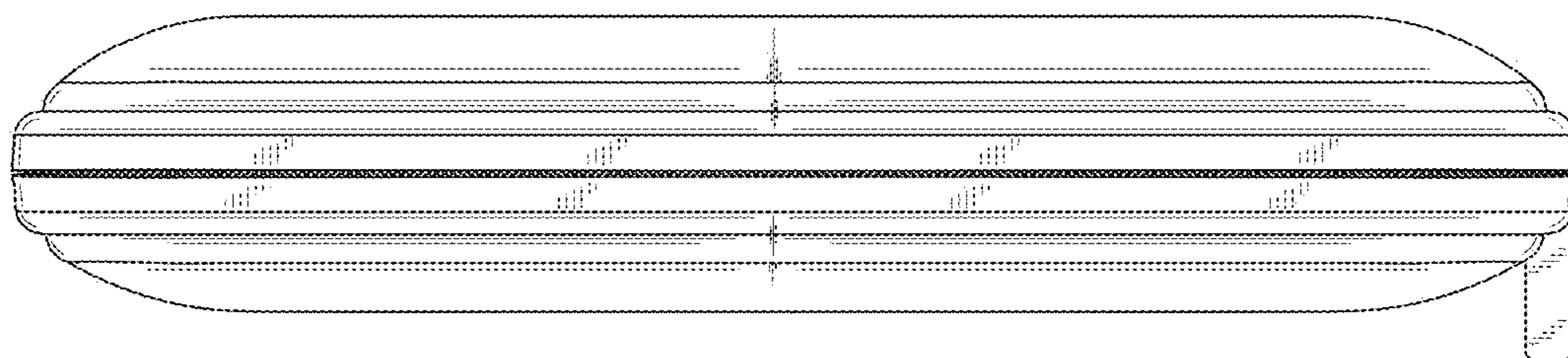


FIG. 7

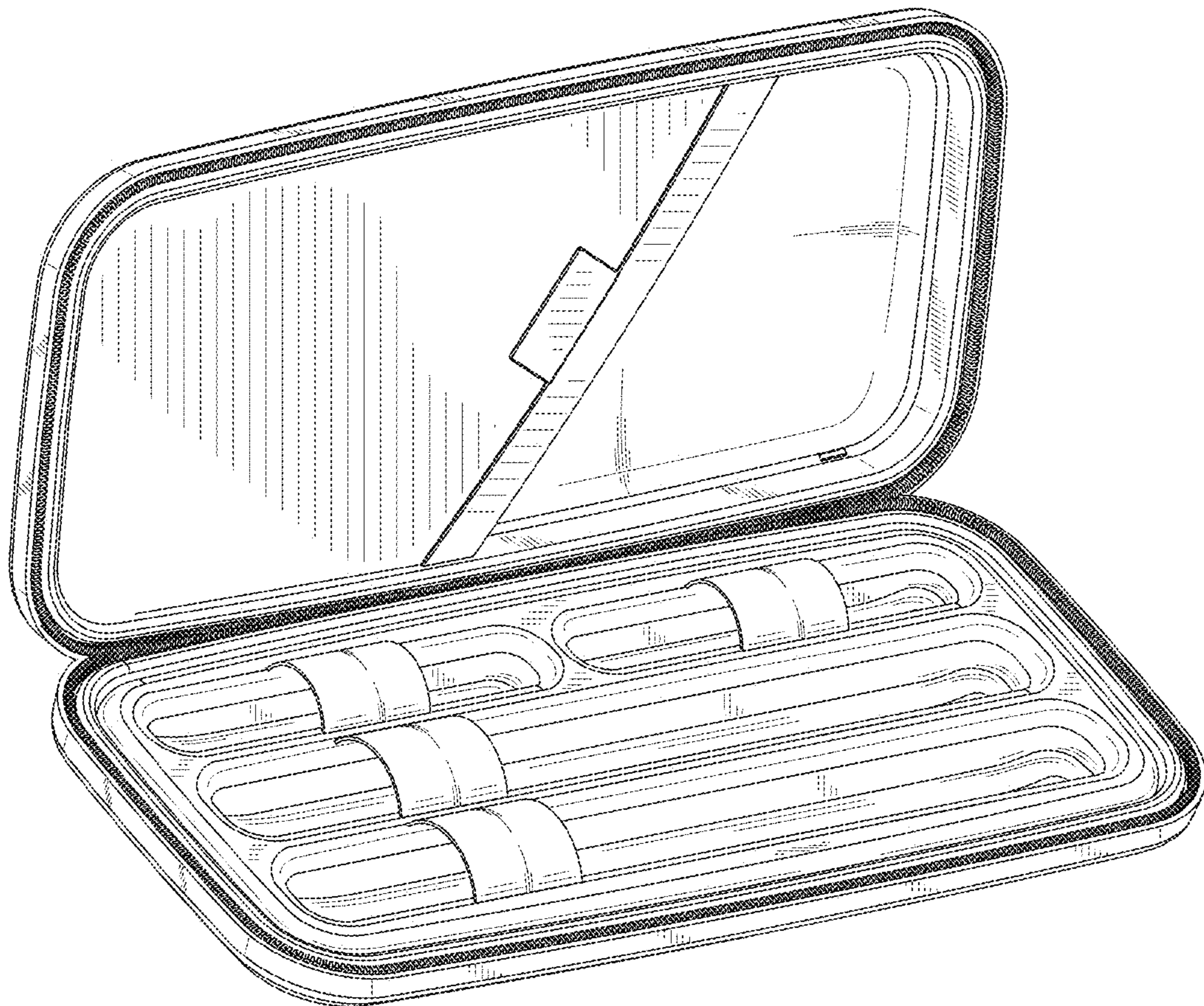


FIG. 8

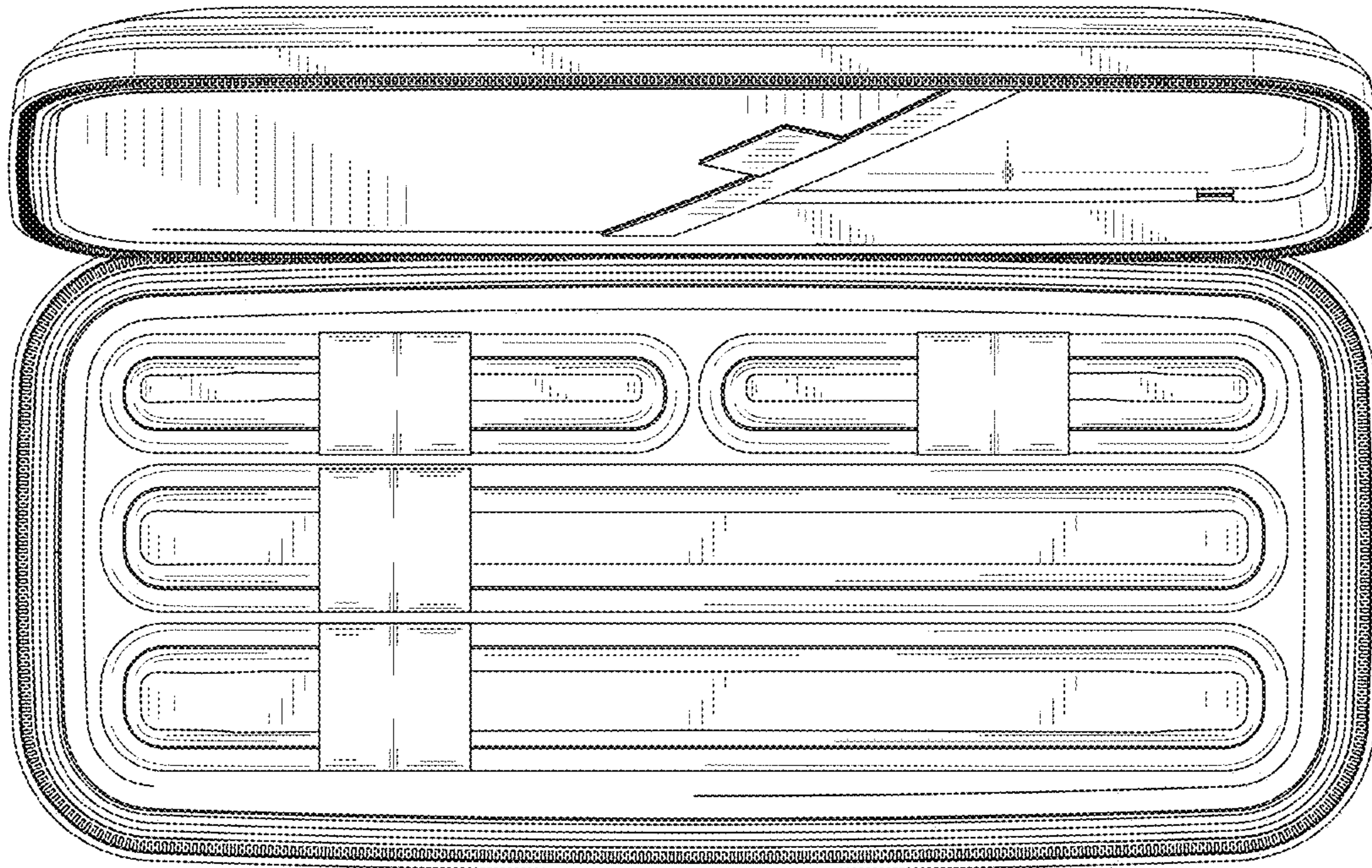


FIG. 9

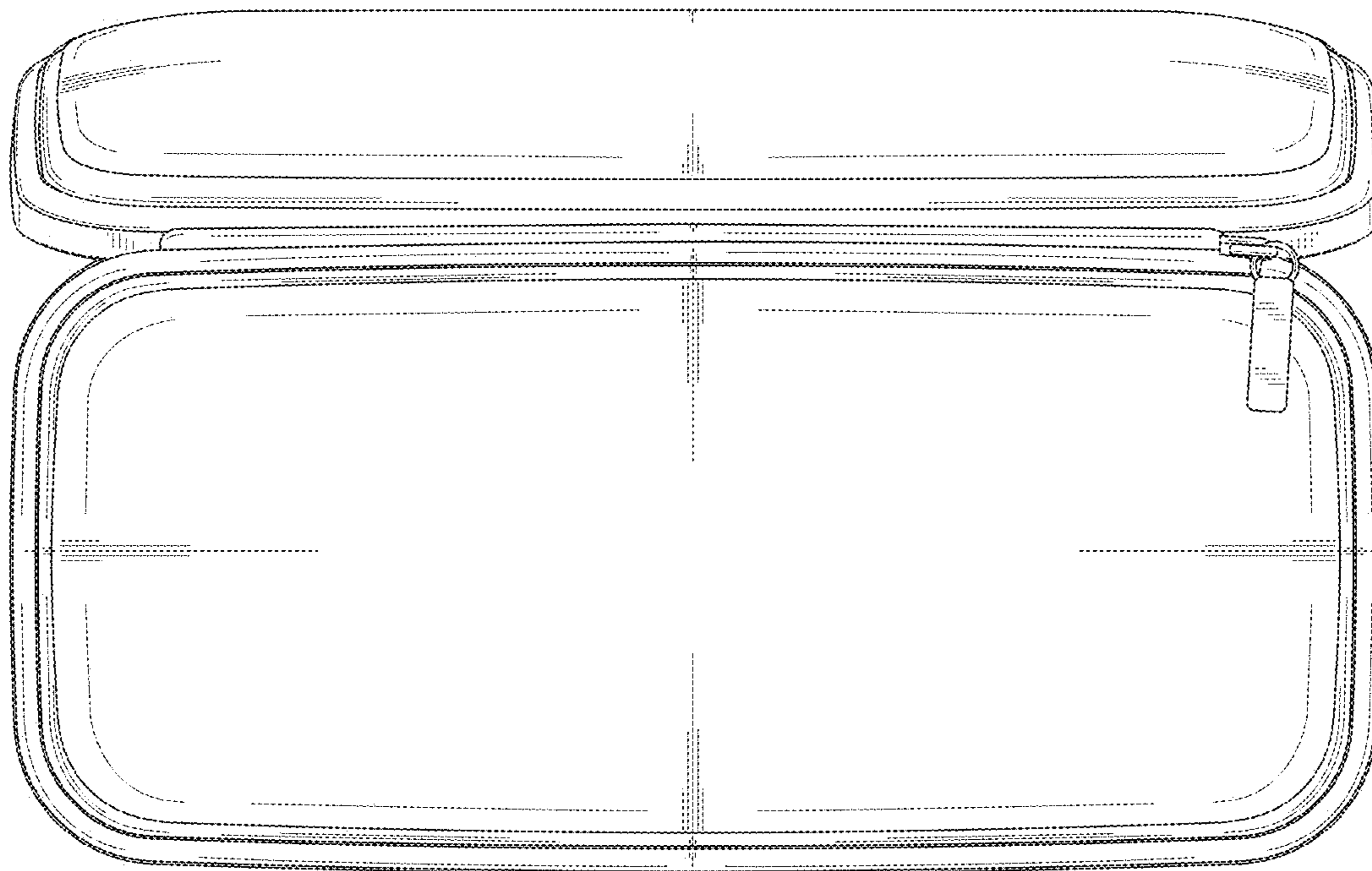


FIG. 10

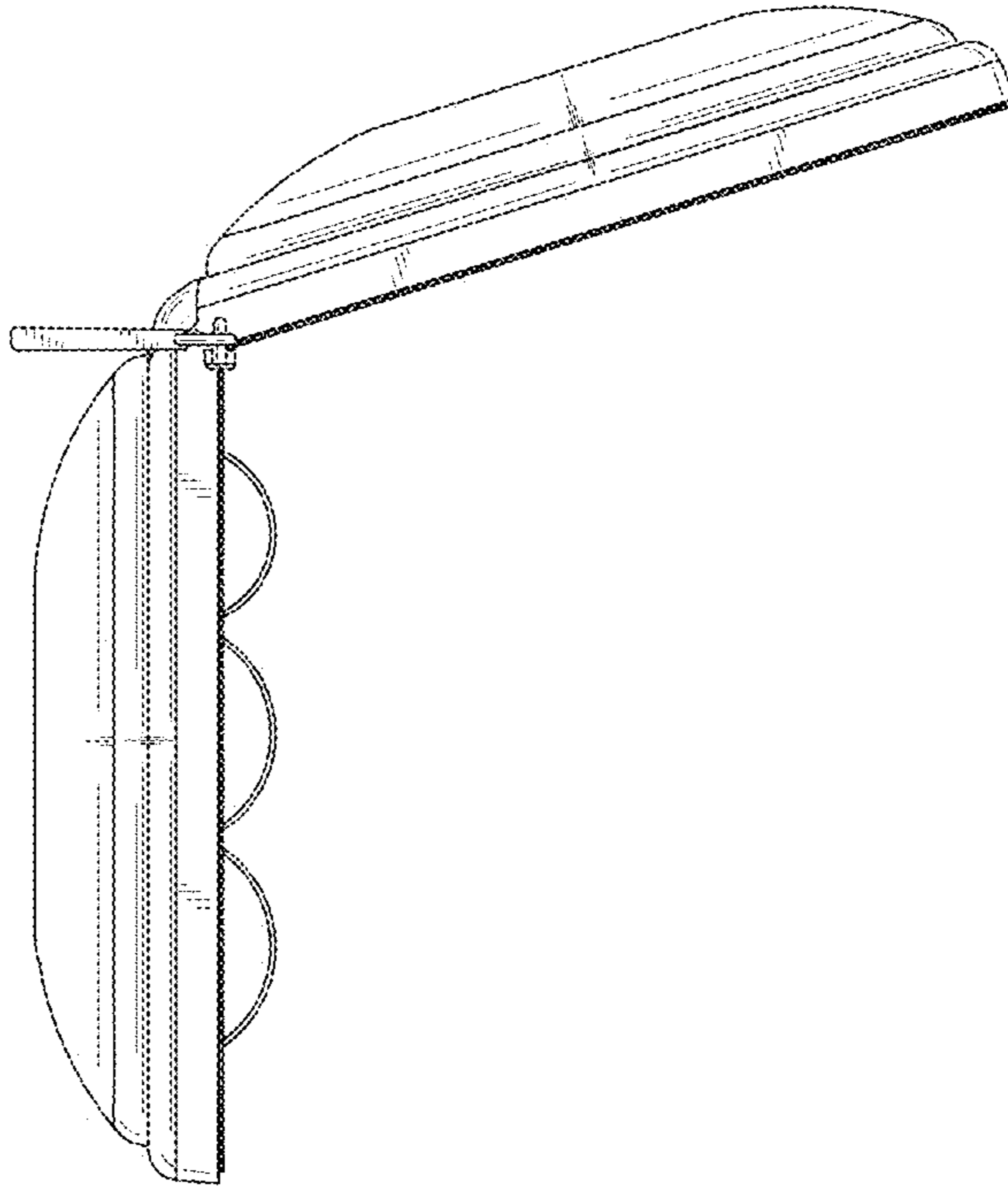


FIG. 11

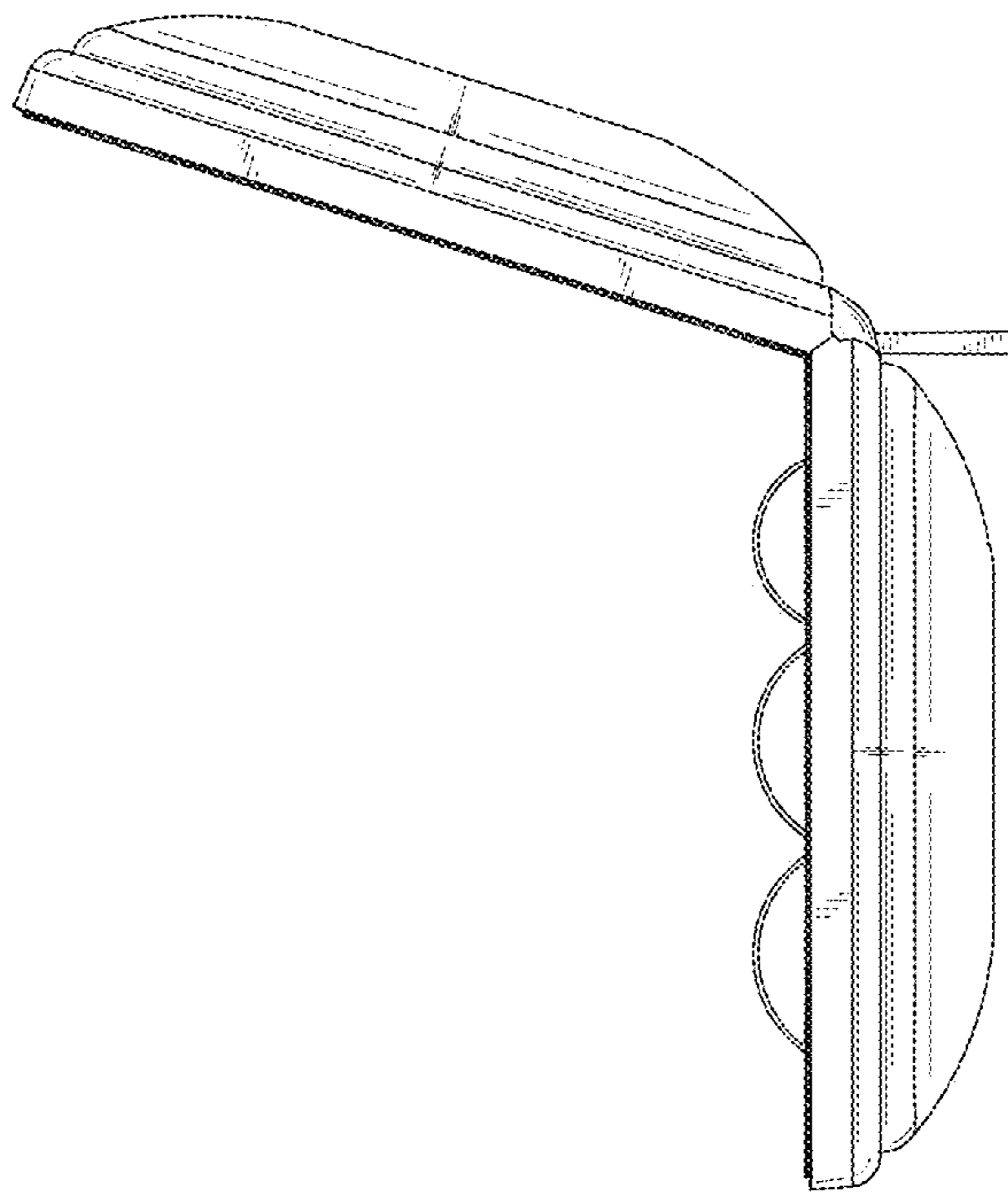


FIG. 12

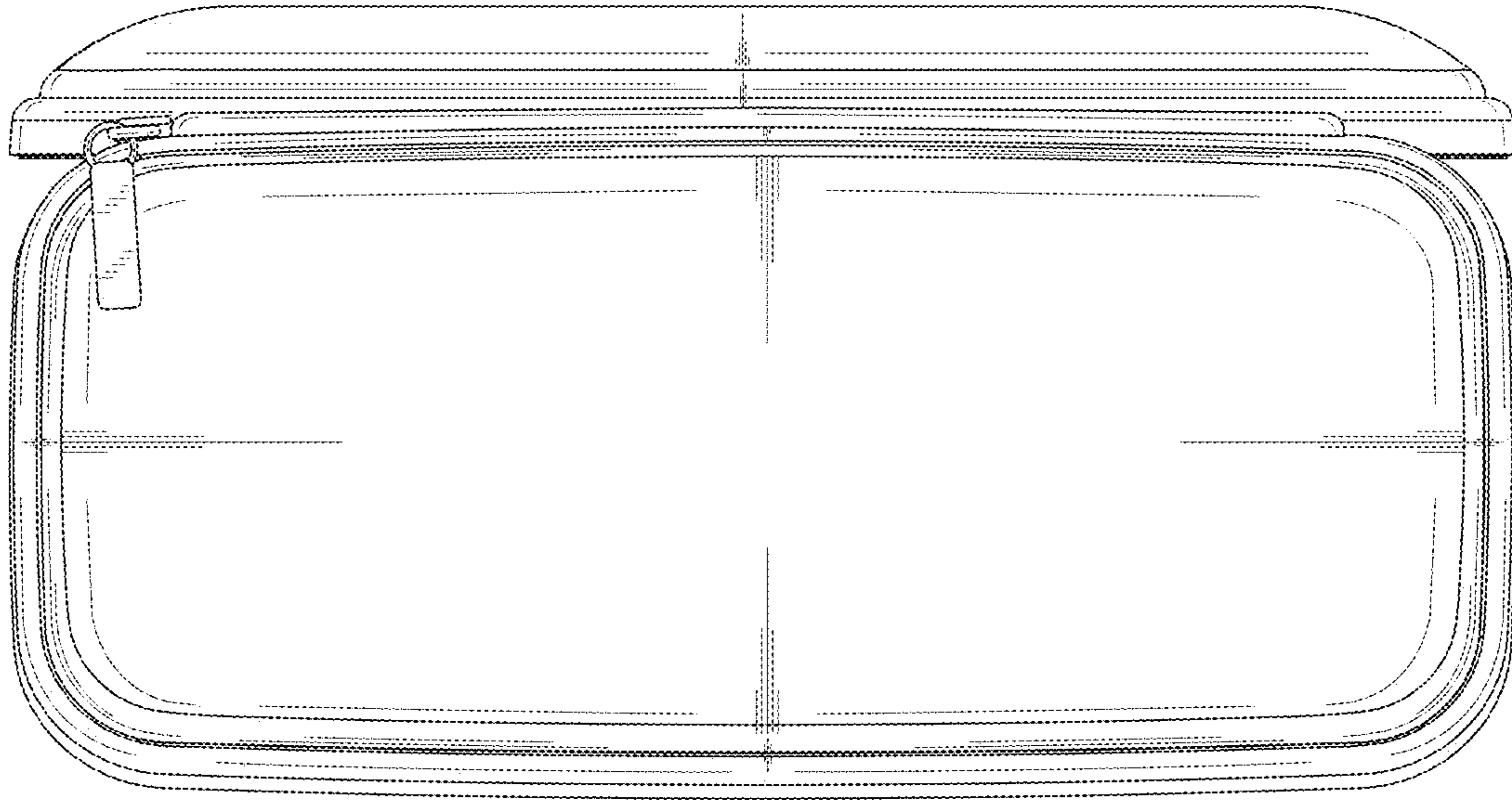


FIG. 13

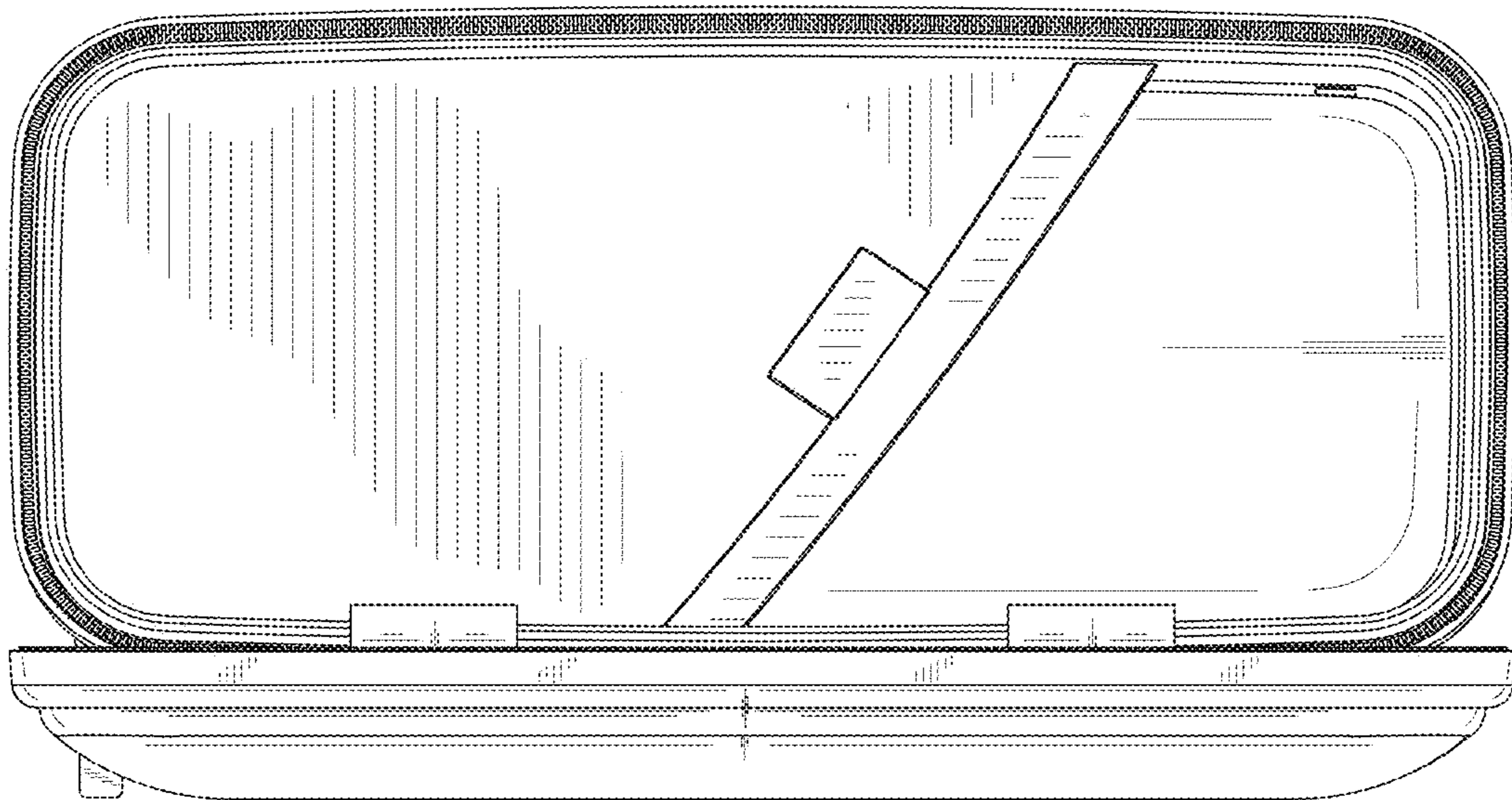


FIG. 14

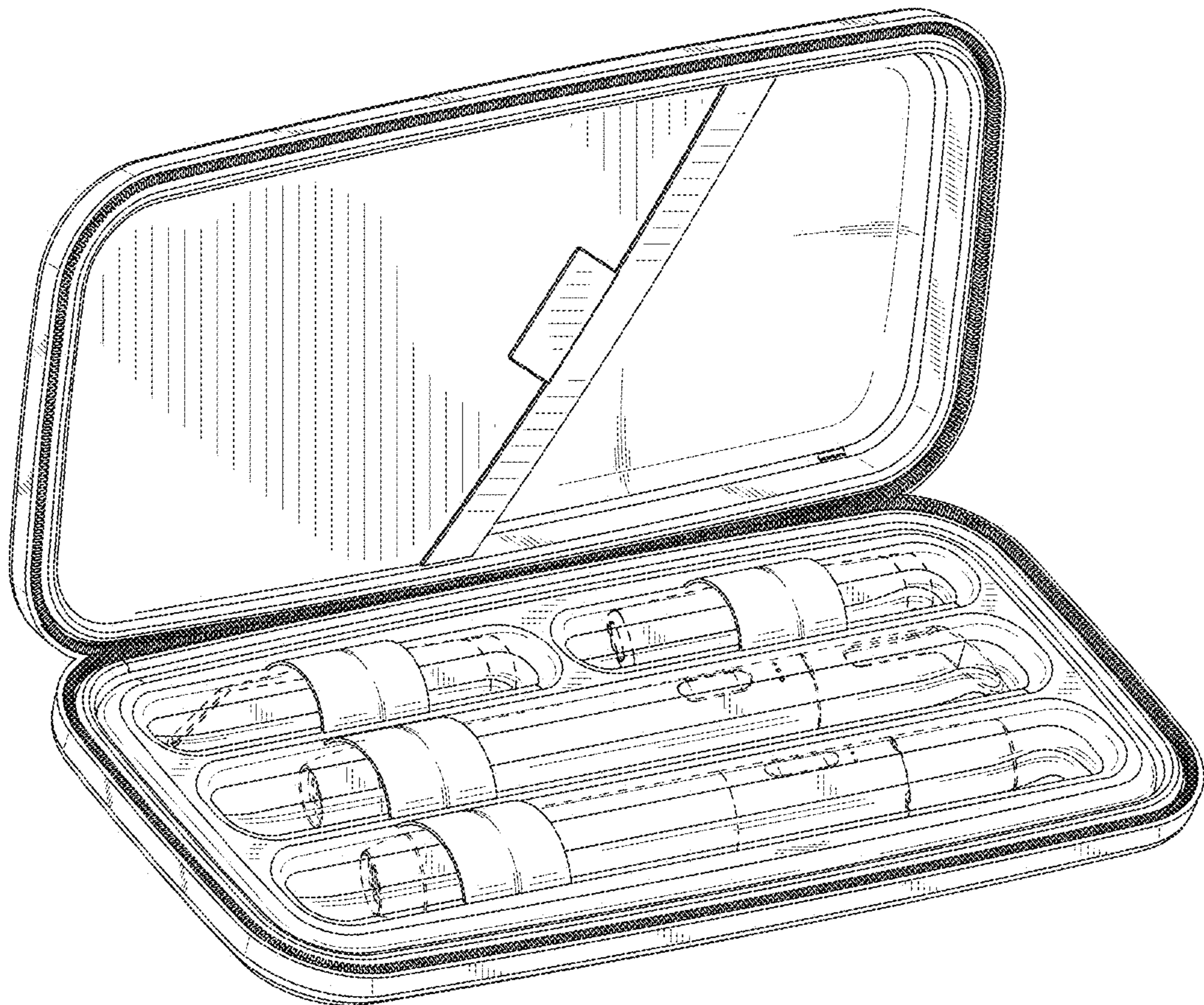


FIG. 15