



US00D930897S

(12) **United States Design Patent**
Qiu et al.

(10) **Patent No.:** **US D930,897 S**

(45) **Date of Patent:** **** Sep. 14, 2021**

(54) **ELECTRONIC CIGARETTE**

(71) Applicant: **JOYETECH EUROPE HOLDING GMBH, Zug (CH)**

(72) Inventors: **Weihua Qiu, Changzhou (CN); Mifei Xu, Changzhou (CN)**

(73) Assignee: **JOYETECH EUROPE HOLDING GMBH, Zug (CH)**

(**) Term: **15 Years**

(21) Appl. No.: **29/706,635**

(22) Filed: **Sep. 21, 2019**

(30) **Foreign Application Priority Data**

Mar. 22, 2019 (CN) 201930121136.1

(51) **LOC (13) Cl.** **27-02**

(52) **U.S. Cl.**
USPC **D27/162**

(58) **Field of Classification Search**

USPC D27/100, 101, 139, 141, 148, 157, D27/161-171, 183, 185-194; D13/108, D13/144, 103, 119, 146, 168; D23/360, D23/364-366; D24/110, 110.5, 129, 113, D24/112; D19/925-929, 161-166, 173, D19/66, 115, 123, 177, 923, 194-196; D28/85, 4, 7, 88, 73-76; D3/201, 11, 13, D3/17, 273, 300, 202; D14/411, 480.5, D14/480.1, 480.3, 483, 484.1, 137, 250, D14/251, 480.7, 203.1, 203.3, 203.7, 218, D14/254, 433-435, 435.1; D9/686, 529; D8/107; D10/119.1, 119.3, 119.2; D17/13

CPC A24F 40/00; A24F 40/40; A24F 40/42; A24F 40/05; A24F 40/46; A24F 47/002; A24F 47/008; A24D 1/14; A24D 1/042; A24D 1/02; G06F 3/03545; A61M 15/06

See application file for complete search history.

(56) **References Cited**

U.S. PATENT DOCUMENTS

1,919,887 A * 7/1933 Gleeson A45D 40/26
401/180
1,953,296 A * 4/1934 Gleeson A45D 40/04
401/175

(Continued)

FOREIGN PATENT DOCUMENTS

CN 304083818 * 3/2017
CN 304107330 * 4/2017

(Continued)

Primary Examiner — Dana K Weiland

Assistant Examiner — Mary Claire Ramirez

(74) *Attorney, Agent, or Firm* — Cheng-Ju Chiang

(57) **CLAIM**

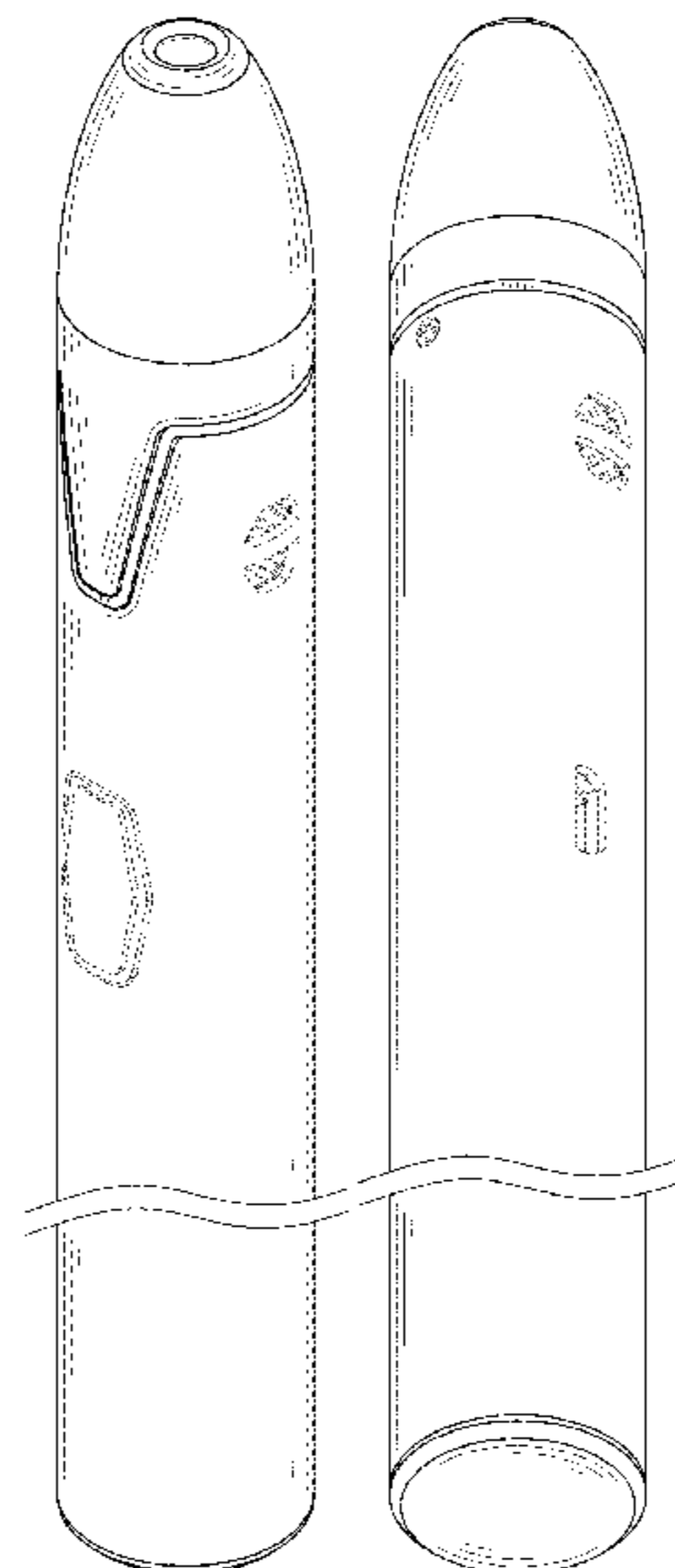
The ornamental design for an electronic cigarette, as shown and described.

DESCRIPTION

FIG. 1 is a top, right front perspective view of an electronic cigarette showing our new design;
FIG. 2 is a bottom, left back perspective view thereof;
FIG. 3 is a front view thereof;
FIG. 4 is a back view thereof;
FIG. 5 is a left-side view thereof;
FIG. 6 is a right-side view thereof;
FIG. 7 is a top view thereof; and,
FIG. 8 is a bottom view thereof.

The broken lines shown in the drawings depict portions of the electronic cigarette that form no part of the claimed design. The electronic cigarette is shown with a symbolic break in its length. The appearance of any portion of the article between the break lines forms no part of the claimed design.

1 Claim, 4 Drawing Sheets



(56)

References Cited

U.S. PATENT DOCUMENTS

2,726,760 A * 12/1955 Dulberg A45D 40/06
 401/63
 3,713,528 A * 1/1973 Daenen A47G 19/28
 206/525
 D293,097 S * 12/1987 Alligood D13/103
 D365,759 S * 1/1996 Otani D9/504
 D402,312 S * 12/1998 Chevalier D19/195
 D430,609 S * 9/2000 Keda D19/195
 D451,196 S * 11/2001 Block D24/112
 D512,378 S * 12/2005 Dobler D13/146
 D512,965 S * 12/2005 Dobler D13/146
 D532,372 S * 11/2006 Keating D13/108
 D533,225 S * 12/2006 Gerules D19/117
 D606,590 S * 12/2009 Daida D19/194
 D683,696 S * 6/2013 Woodard D13/103
 D743,539 S * 11/2015 Chung D24/113
 D756,030 S * 5/2016 Chen D27/101
 D758,651 S * 6/2016 Wu D27/101
 D760,948 S * 7/2016 Eksouzian D27/101
 D776,337 S * 1/2017 Levin D27/163
 D784,610 S * 4/2017 Bosch D27/101
 D790,122 S * 6/2017 Hawes D27/101
 D800,383 S * 10/2017 Verleur D27/167
 D829,372 S * 9/2018 Huang D27/101
 D838,898 S * 1/2019 Qiu D27/167
 D853,633 S * 7/2019 Zeng D27/162
 D855,881 S * 8/2019 Hawes D27/194
 D874,057 S * 1/2020 Tu D27/162

D874,058 S * 1/2020 Liu D27/162
 D874,242 S * 2/2020 Meyer D8/107
 D877,976 S * 3/2020 Ding D27/162
 D878,567 S * 3/2020 Jansen D24/113
 D882,165 S * 4/2020 Ouyang D27/162
 D886,281 S * 6/2020 Boyaval D24/113
 D910,905 S * 2/2021 Liu D27/162
 D915,666 S * 4/2021 Choe D27/162
 2015/0128971 A1* 5/2015 Verleur A24F 40/90
 131/329
 2017/0000190 A1* 1/2017 Wu A24F 47/008
 2017/0172212 A1* 6/2017 Phillips A24F 40/48
 2019/0166919 A1* 6/2019 Yilmaz A24F 40/485
 2019/0174827 A1* 6/2019 Fernando H01R 13/2421
 2019/0350262 A1* 11/2019 Saygili H05B 3/44
 2020/0008470 A1* 1/2020 Reevell A24F 40/46
 2020/0046029 A1* 2/2020 Adair A24F 40/48
 2020/0154765 A1* 5/2020 Lee A24F 40/46
 2020/0154768 A1* 5/2020 Han A24F 40/51
 2020/0154782 A1* 5/2020 Hawes A24F 47/008
 2020/0323267 A1* 10/2020 Breiwa, III A24F 40/40

FOREIGN PATENT DOCUMENTS

CN 304355651 * 11/2017
 CN 304659645 * 6/2018
 CN 304700899 * 6/2018
 CN 304769449 * 8/2018
 CN 304836253 * 9/2018
 EM 002556373-0001 * 11/2014

* cited by examiner

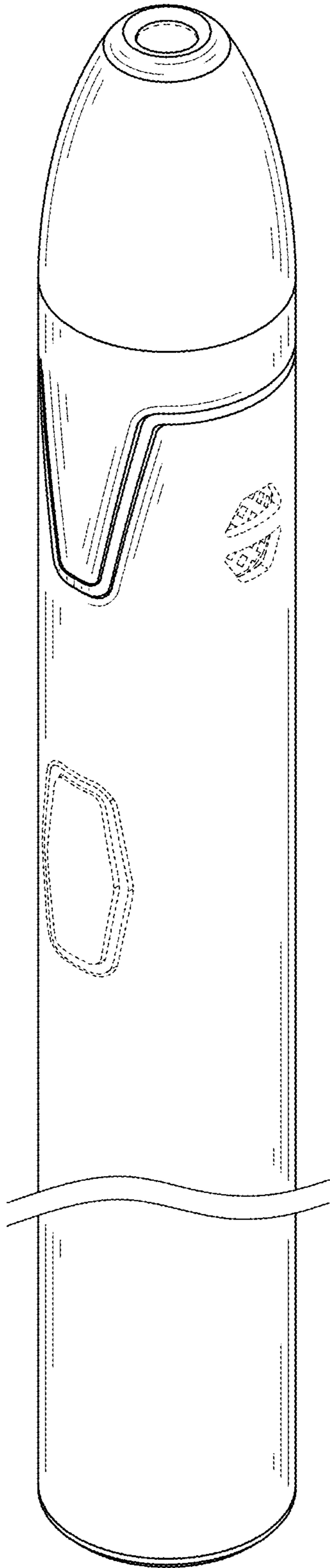


FIG. 1

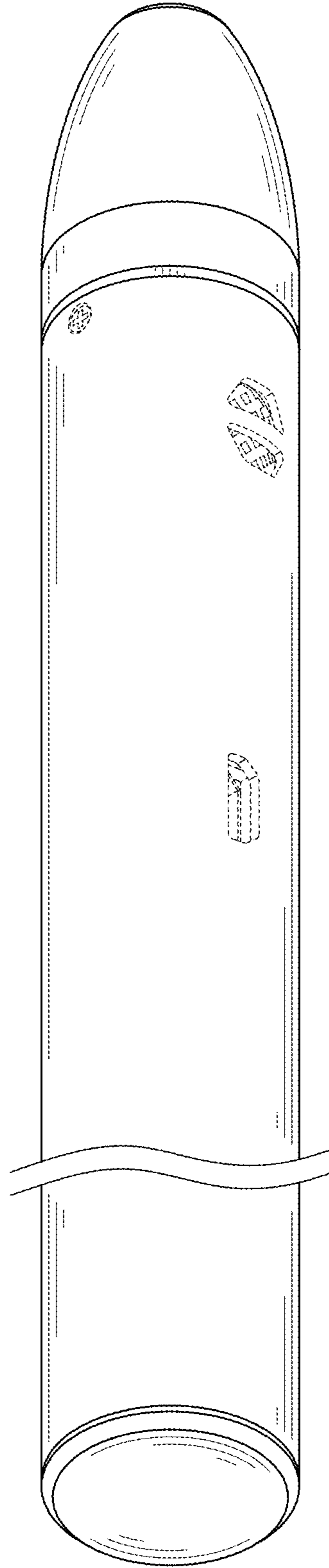


FIG. 2

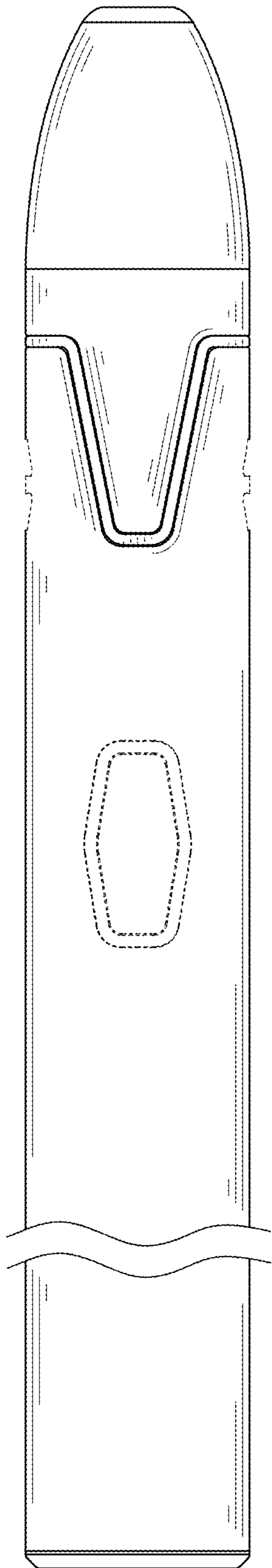


FIG. 3

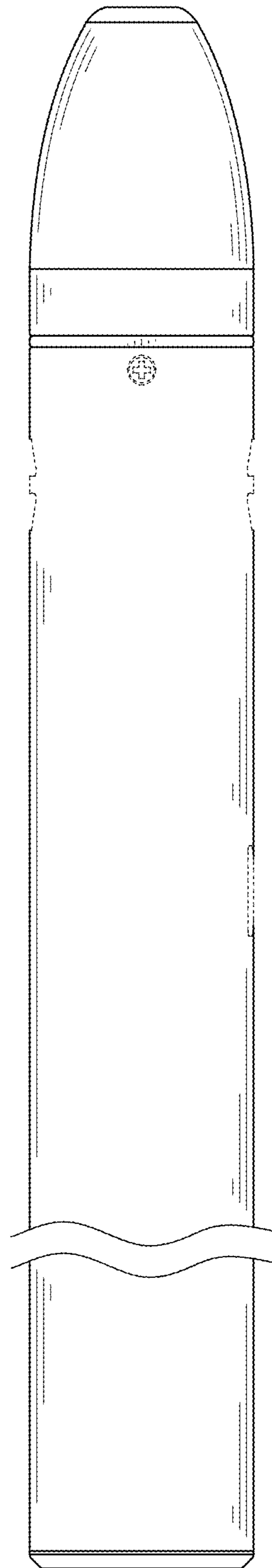


FIG. 4

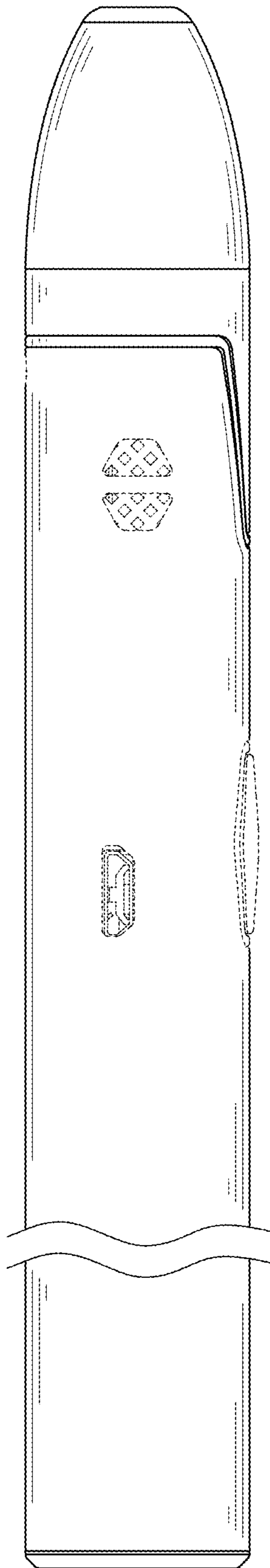


FIG. 5

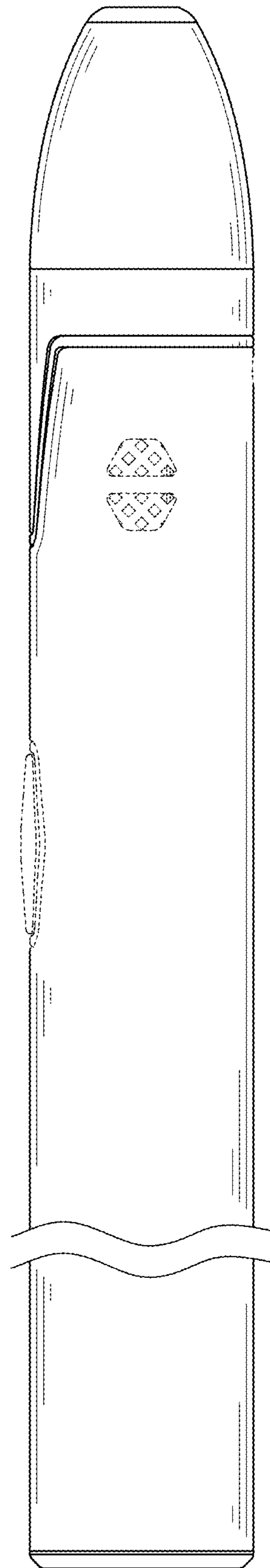


FIG. 6

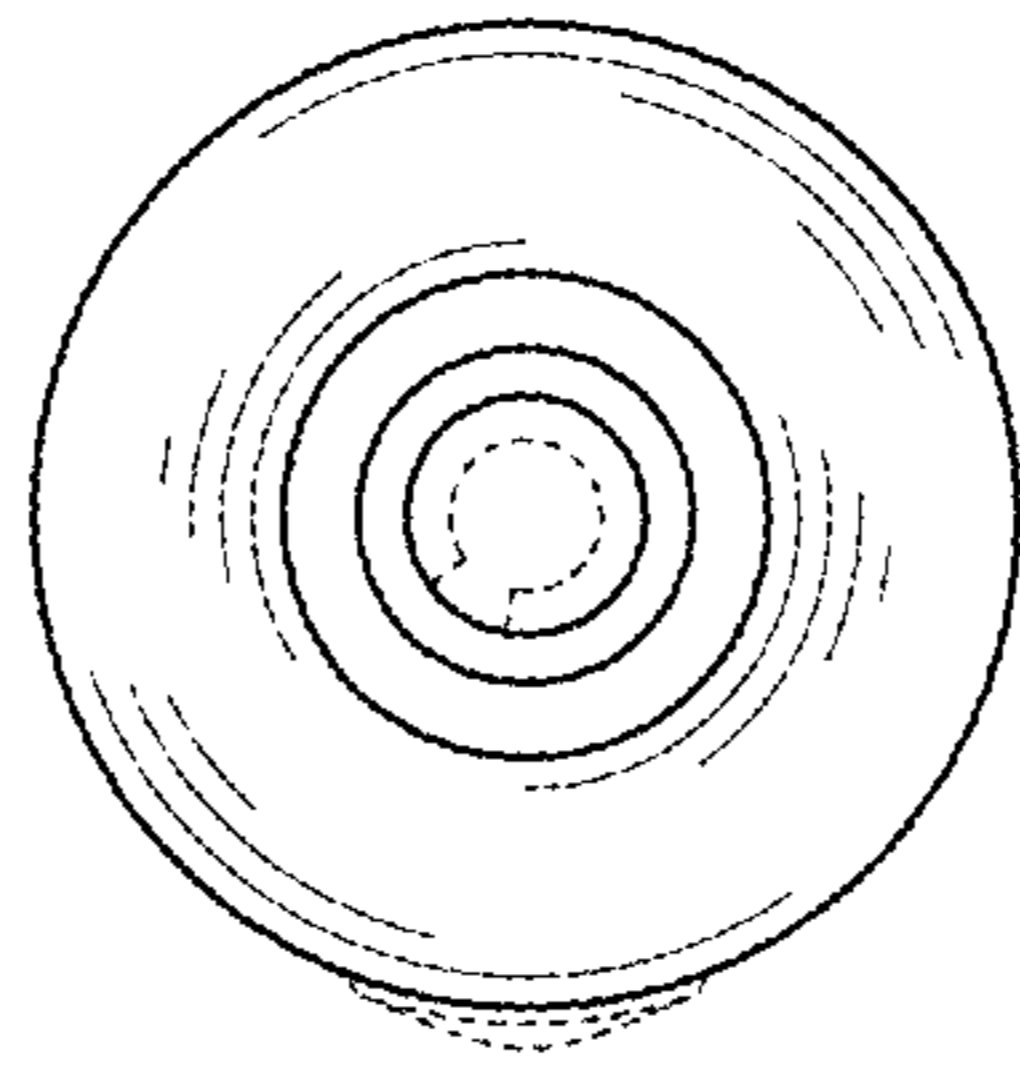


FIG. 7

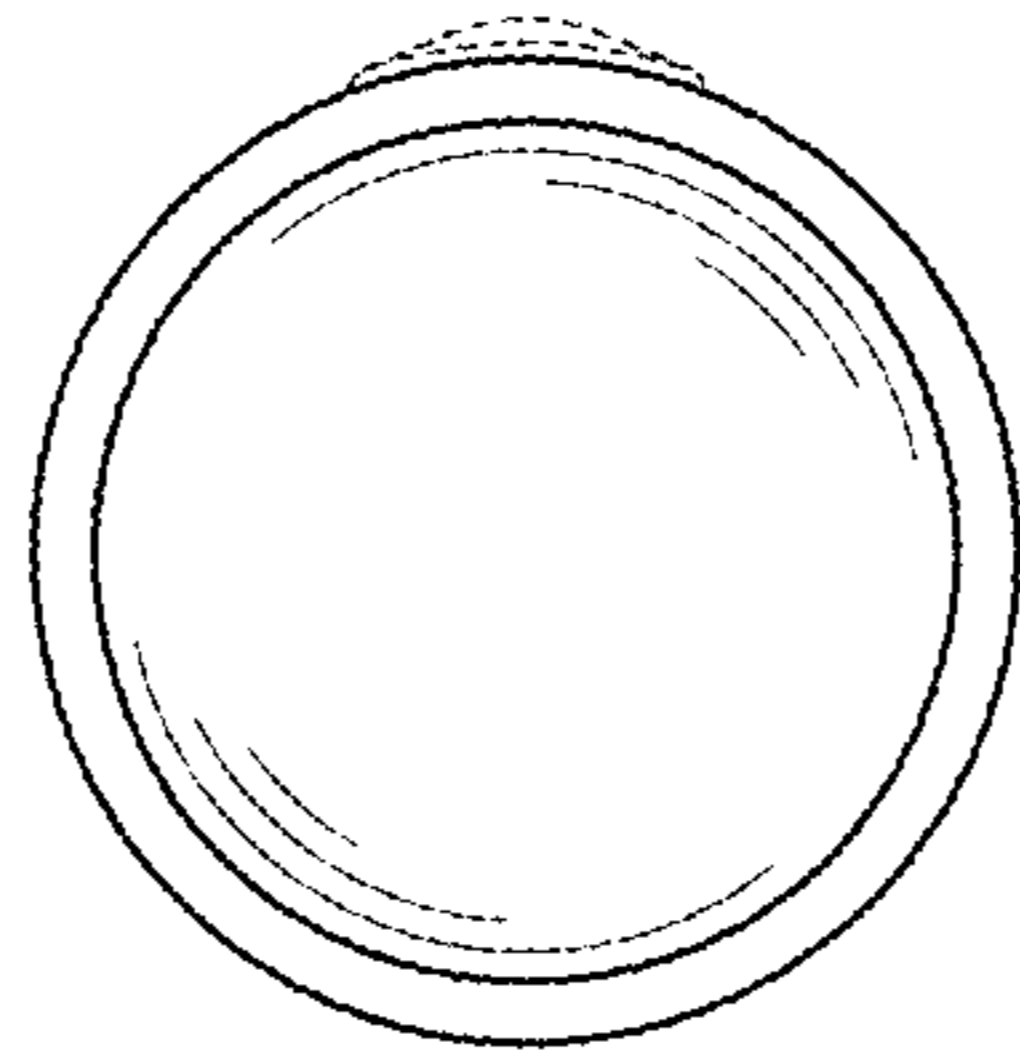


FIG. 8