



US00D930895S

(12) **United States Design Patent**
Fornarelli

(10) **Patent No.:** **US D930,895 S**
(45) **Date of Patent:** **** Sep. 14, 2021**

(54) **VAPORIZATION DEVICE**

(71) Applicant: **14TH ROUND INC.**, Chicago, IL (US)

(72) Inventor: **Thomas Fornarelli**, Chicago, IL (US)

(73) Assignee: **14TH ROUND INC.**, Los Angeles, CA (US)

(**) Term: **15 Years**

(21) Appl. No.: **29/687,029**

(22) Filed: **Apr. 10, 2019**

(51) **LOC (13) Cl.** **27-02**

(52) **U.S. Cl.**
USPC **D27/162**

(58) **Field of Classification Search**
USPC D27/100, 101, 139, 141, 148, 157,
D27/161-171, 183, 185-194; D13/108,
(Continued)

(56) **References Cited**

U.S. PATENT DOCUMENTS

D300,331 S * 3/1989 Hortrich 401/202
D417,731 S * 12/1999 Butler D24/110
(Continued)

FOREIGN PATENT DOCUMENTS

CN 304350813 * 11/2017
CN 304594747 * 4/2018
(Continued)

Primary Examiner — Dana K Weiland

Assistant Examiner — Mary Claire Ramirez

(74) *Attorney, Agent, or Firm* — Flener IP & Business
Law; Zareefa B. Flener; Ayhan E. Mertogul

(57) **CLAIM**

The ornamental design for a vaporization device, as shown and described.

DESCRIPTION

FIG. 1 is a front perspective view of a first embodiment of a vaporization device showing my new design;

FIG. 2 is a front elevational view of the design of FIG. 1; FIG. 3 is a rear elevational view of the design of FIG. 1; FIG. 4 is a left side elevational view of the design of FIG. 1; FIG. 5 is a right side elevational view of the design of FIG. 1; FIG. 6 is a top plan view of the design of FIG. 1; FIG. 7 is a bottom plan view of the design of FIG. 1; FIG. 8 is an exploded front perspective view of the first embodiment showing the vaporizer pod component removed from the battery component of the vaporization device; FIG. 9 is a perspective view of the first embodiment of the vaporization device showing the battery component; FIG. 10 is a front (and identical rear) elevational view thereof; FIG. 11 is a front (and identical rear) elevational view the second embodiment of the vaporization device showing the battery component, it being understood all other surfaces of the second embodiment are otherwise identical to the first embodiment; FIG. 12 is a left (and identical right) side elevational view thereof; FIG. 13 is a left (and identical right) side view of the third embodiment of the vaporization device showing the battery component, it being understood that all other surfaces of the third embodiment are otherwise identical to the first embodiment; FIG. 14 is a top plan view of the first embodiment showing the battery component; FIG. 15 is a bottom view thereof; FIG. 16 is a perspective view of the first embodiment showing the vaporizer pod component; FIG. 17 is a front (and identical rear) elevational view thereof; FIG. 18 is a left (and identical right) side elevational view thereof; FIG. 19 is a left (and identical right) side elevational view of the fourth embodiment of the vaporization device showing the vaporizer pod component, it being understood that all other surfaces of the fourth embodiment are otherwise identical to the first embodiment

(Continued)

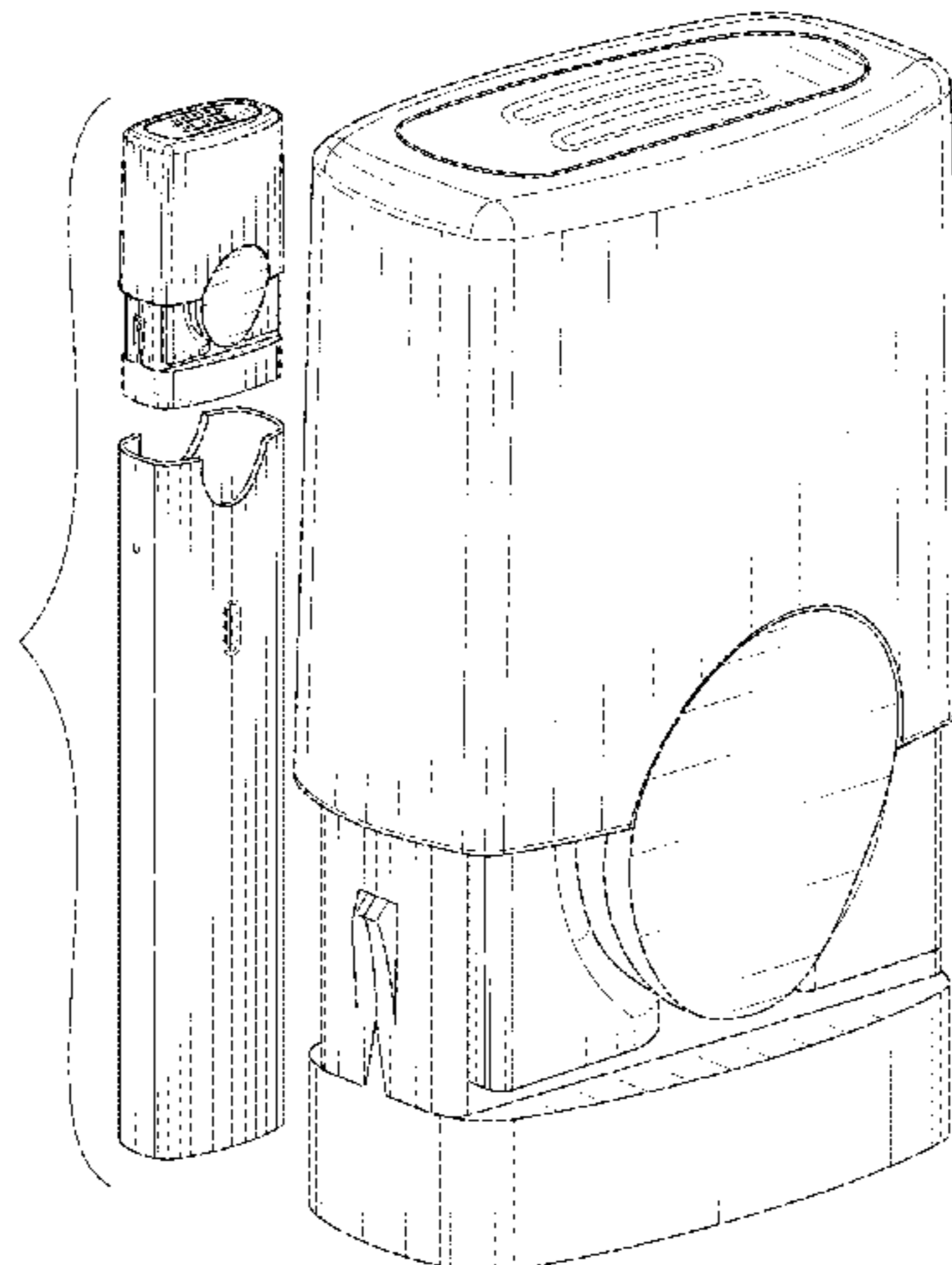


FIG. 20 is a top plan view of the first embodiment of the vaporization device showing the vaporizer pod component; FIG. 21 is a bottom plan view thereof; FIG. 22 is a top plan view of the fourth embodiment of the vaporization device showing the vaporizer pod component, it being understood that all other surfaces of the fourth embodiment are otherwise identical to the first embodiment; FIG. 23 is a perspective view of the fifth embodiment of the vaporization device showing the vaporizer pod component, it being understood that all other surfaces of the fifth embodiment are otherwise identical to the first embodiment; FIG. 24 is a front (and identical rear) elevational view thereof; FIG. 25 is a left (and identical right) side elevational view thereof; FIG. 26 is a top plan view thereof; FIG. 27 is a top plan view of the sixth embodiment of the vaporization device showing the vaporizer pod component, it being understood that all other surfaces of the sixth embodiment are otherwise identical to the first embodiment; and, FIG. 28 is a bottom plan view of the fifth embodiment of the vaporization device showing the vaporizer pod component, it being understood that all other surfaces of the fifth embodiment are otherwise identical to the first embodiment. The broken lines in the drawings depict portions of the vaporization device that form no part of the claim.

1 Claim, 20 Drawing Sheets

(58) **Field of Classification Search**

USPC D13/144, 103, 119, 146, 168; D23/360, D23/364-366; D24/110, 110.5, 129, 113, D24/112; D19/925-929, 161-166, 173, D19/66, 115, 123, 177, 923, 194-196; D28/85, 4, 7, 88, 73-76; D3/201, 11, 13, D3/17, 273, 300, 202; D14/411, 480.5, D14/480.1, 480.3, 483, 484.1, 137, 250, D14/251, 480.7, 203.1, 203.3, 203.7, 218, D14/254, 433-435, 435.1; D9/686, 529; D8/107; D10/119.1, 119.3, 119.2; D17/13
CPC A24F 40/00; A24F 40/40; A24F 40/42; A24F 40/05; A24F 40/46; A24F 47/002; A24F 47/008; A24D 1/14; A24D 1/042; A24D 1/02; G06F 3/03545; A61M 15/06

See application file for complete search history.

(56)

References Cited

U.S. PATENT DOCUMENTS

D500,301	S	*	12/2004	Deguchi	D14/480.4
D513,229	S	*	12/2005	Mazzullo	D13/133
D554,119	S	*	10/2007	Otsuka	D14/480.5
D673,576	S	*	1/2013	Lin	D14/480.7
D757,734	S	*	5/2016	Emami	D14/480.7
D779,719	S	*	2/2017	Qiu	D27/101
D818,636	S	*	5/2018	Qiu	D27/101
D834,744	S	*	11/2018	Zhu	D27/101
D836,831	S	*	12/2018	Cividi	D27/162
D844,235	S	*	3/2019	Cividi	D27/167
D849,996	S	*	5/2019	Duque	D27/194
D860,519	S	*	9/2019	Cividi	D27/162
D860,520	S	*	9/2019	Cividi	D27/162
D866,852	S	*	11/2019	Cividi	D27/101
D870,959	S	*	12/2019	Leon Duque	D27/162
D875,306	S	*	2/2020	Pan	D27/167
D881,460	S	*	4/2020	Han	D27/162
D887,632	S	*	6/2020	Duque	D27/167
D902,473	S	*	11/2020	Li	D27/101
D902,480	S	*	11/2020	Chen	D27/194
D903,303	S	*	12/2020	Guo	D3/209
D919,881	S	*	5/2021	Carlberg	D27/162
2015/0128967	A1	*	5/2015	Robinson	A24F 47/008 131/328
2016/0167846	A1	*	6/2016	Zahr	A24F 47/002 222/153.14
2018/0037381	A1	*	2/2018	White	B65D 81/02
2019/0008208	A1	*	1/2019	Cirillo	A24F 7/04
2019/0021396	A1	*	1/2019	Vo	A24F 7/04
2019/0029319	A1	*	1/2019	Moorman	A24F 7/04
2019/0037926	A1	*	2/2019	Qiu	A24F 47/008
2019/0159519	A1	*	5/2019	Bowen	A24F 40/40
2019/0373679	A1	*	12/2019	Fu	A24F 7/00
2019/0380388	A1	*	12/2019	Amorde	A24F 40/65
2020/0085104	A1	*	3/2020	Scatterday	A24F 47/008
2020/0119489	A1	*	4/2020	Novak, III	A24B 15/167
2020/0146361	A1	*	5/2020	Silver	G16H 40/67
2020/0154787	A1	*	5/2020	Novak, III	A24F 47/008
2020/0178616	A1	*	6/2020	Yu	A61M 15/0083
2020/0288788	A1	*	9/2020	Vora	A24F 40/40
2020/0315253	A1	*	10/2020	Legendy	A61M 15/06

FOREIGN PATENT DOCUMENTS

CN	304631993	*	5/2018
CN	304733805	*	7/2018
CN	304773666	*	8/2018
CN	304827366	*	9/2018
CN	304942366	*	12/2018
EM	005270725-0002	*	6/2018

* cited by examiner

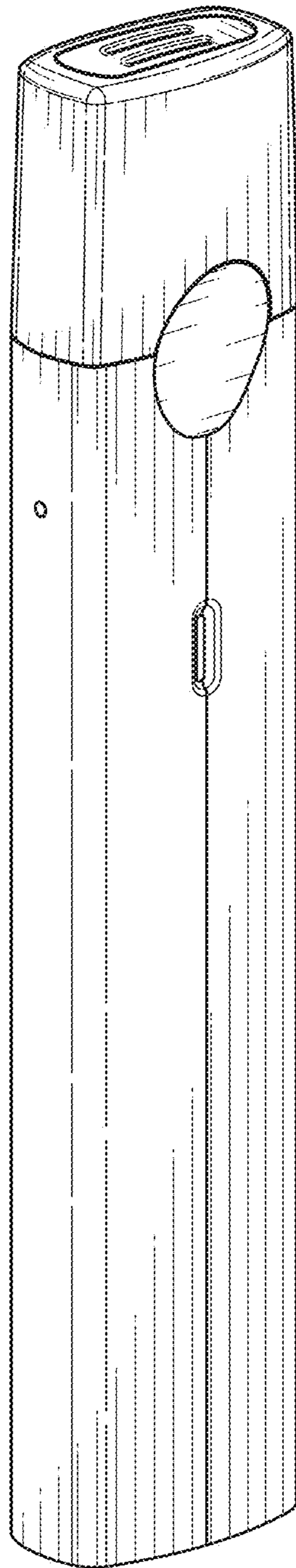


FIG. 1

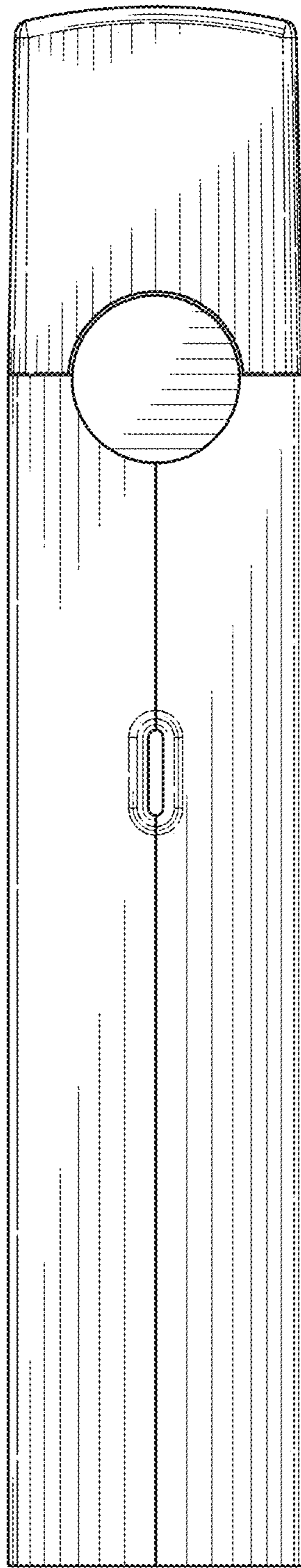


FIG. 2

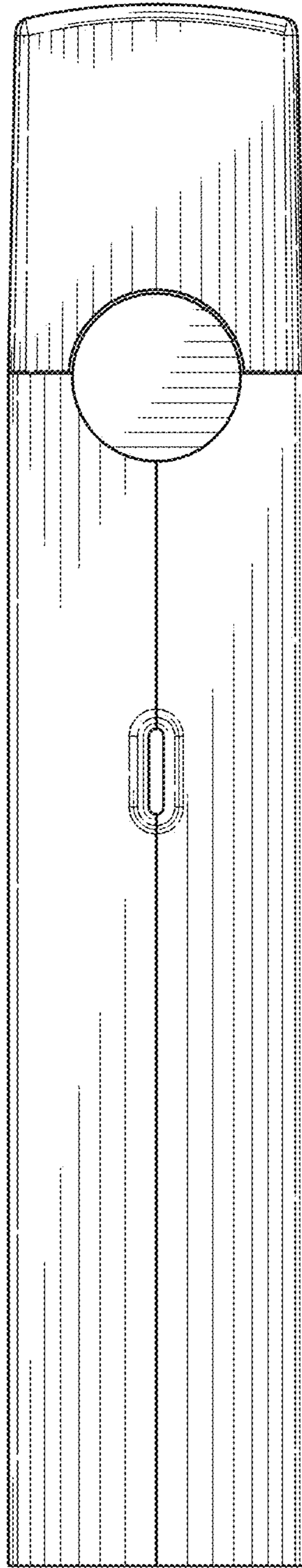


FIG. 3

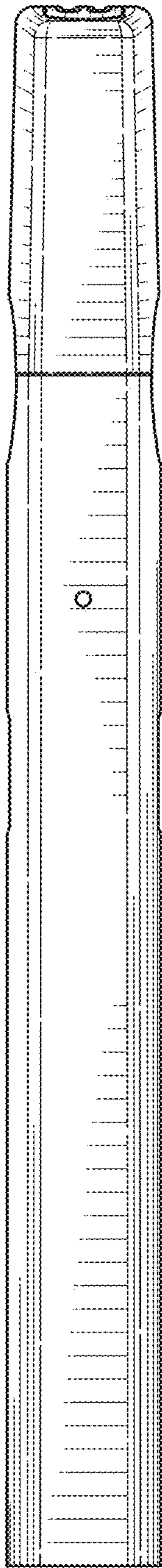


FIG. 4

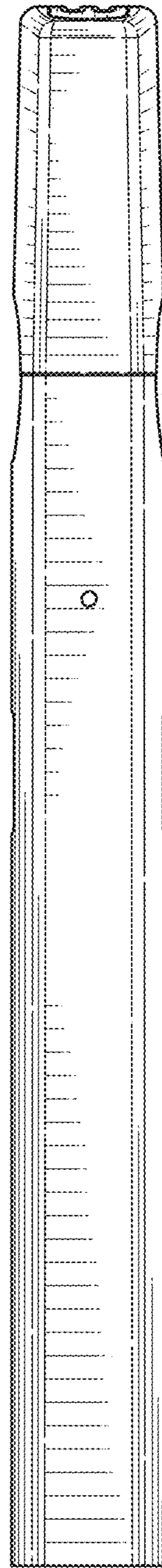


FIG. 5

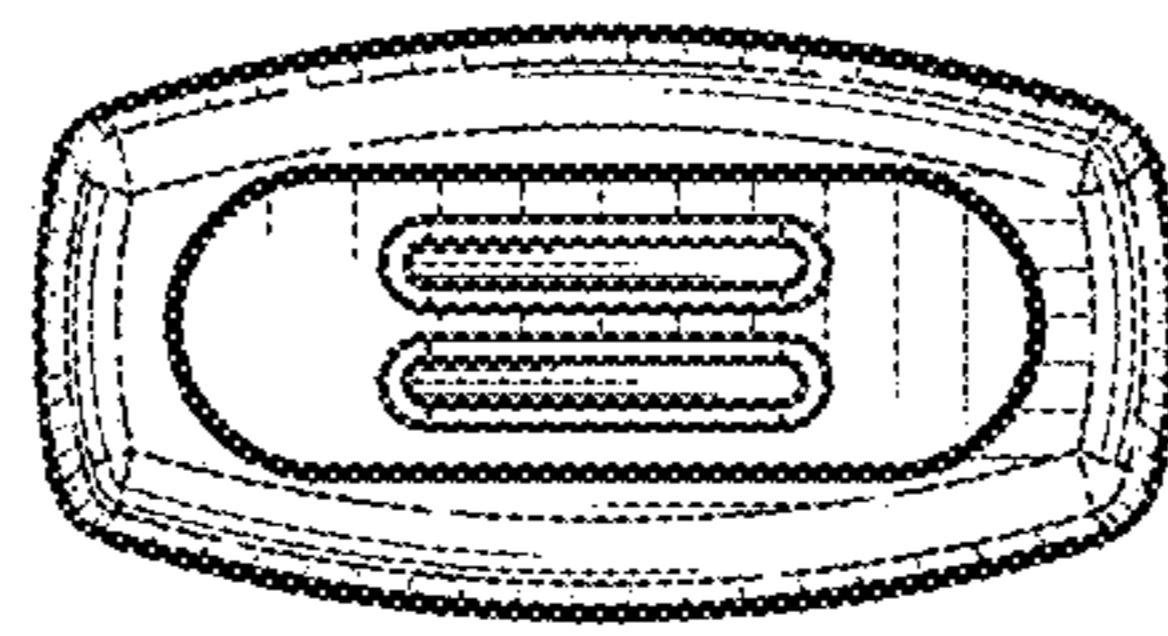


FIG. 6

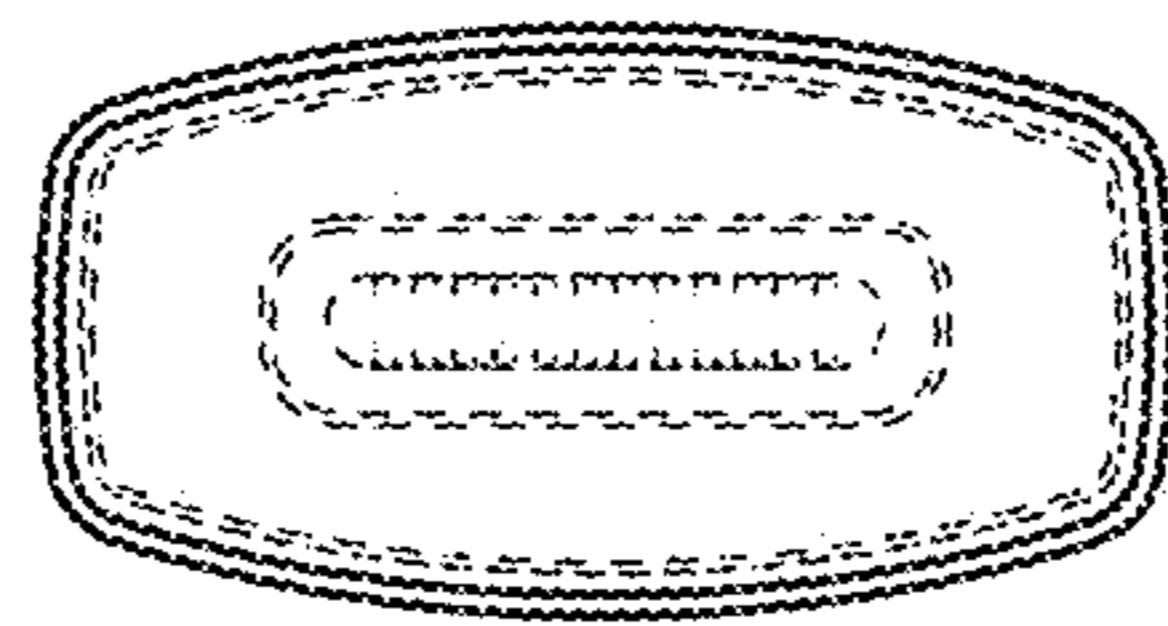


FIG. 7

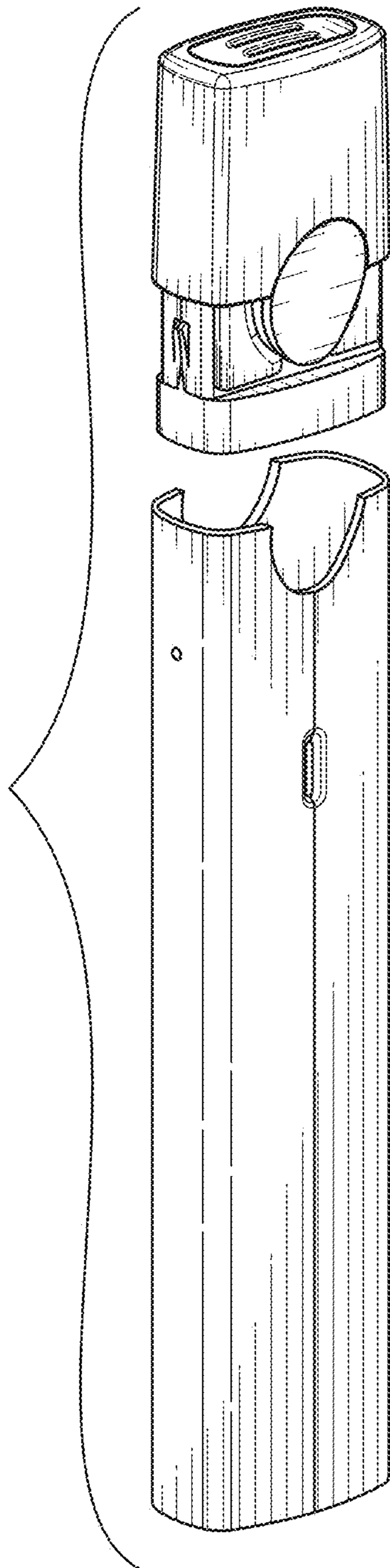


FIG. 8

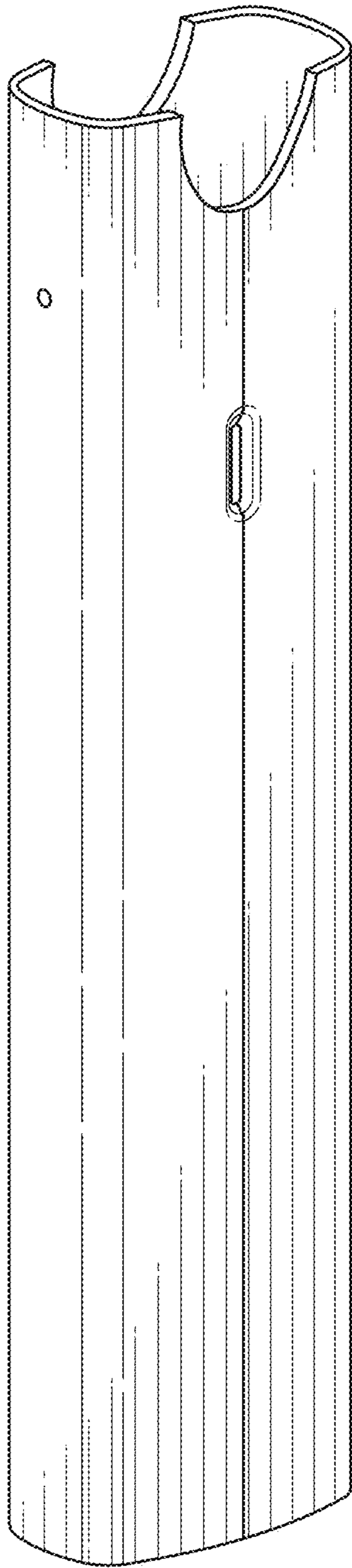


FIG. 9

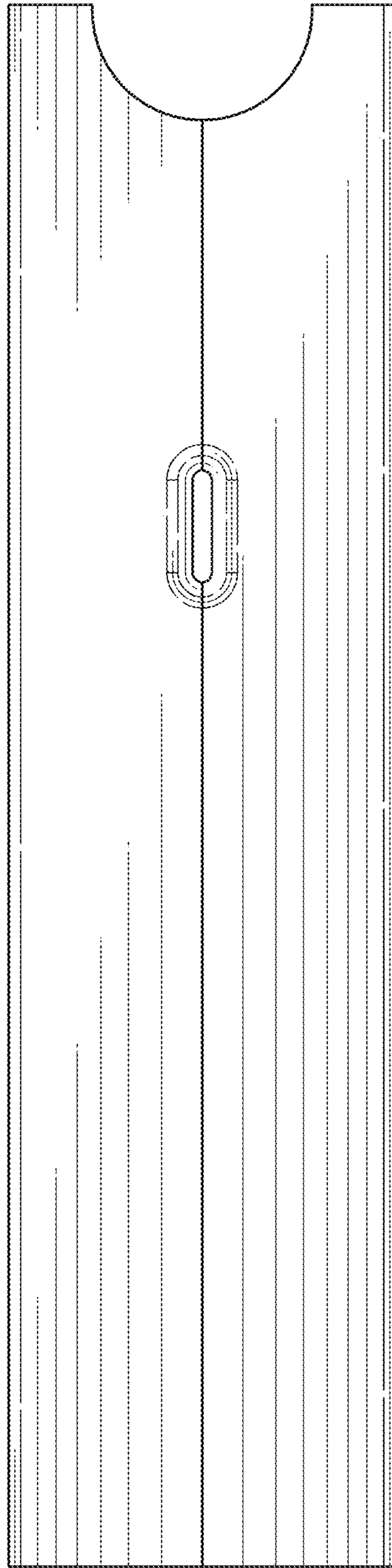


FIG. 10

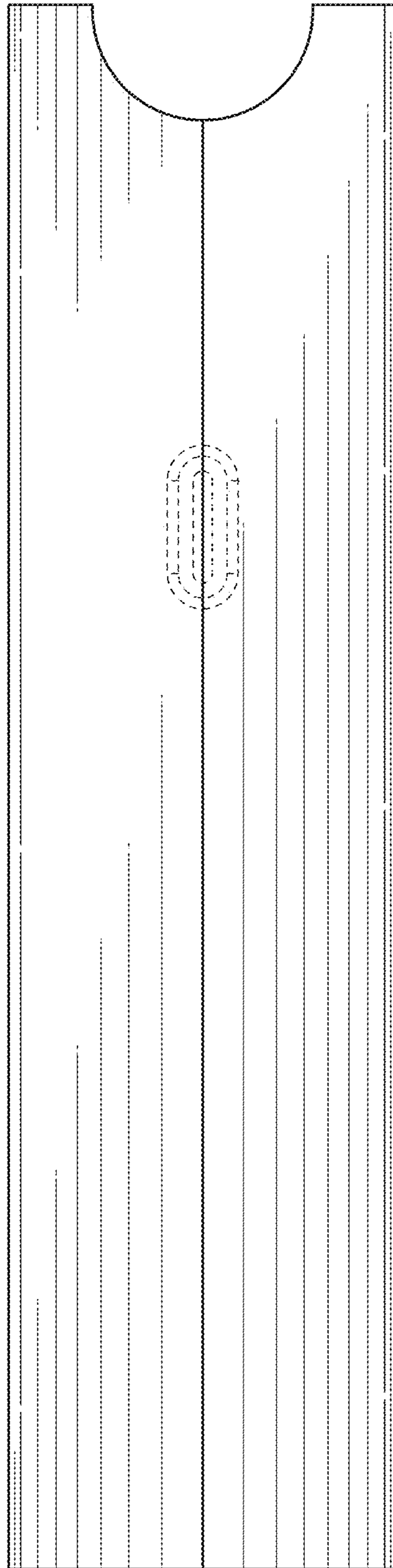


FIG. 11

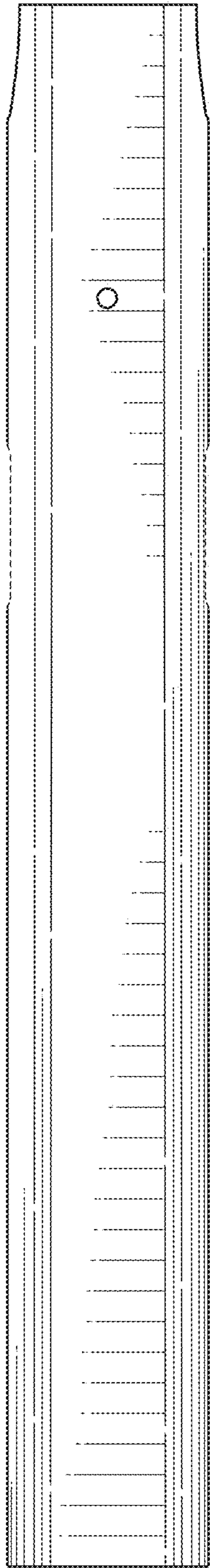


FIG. 12

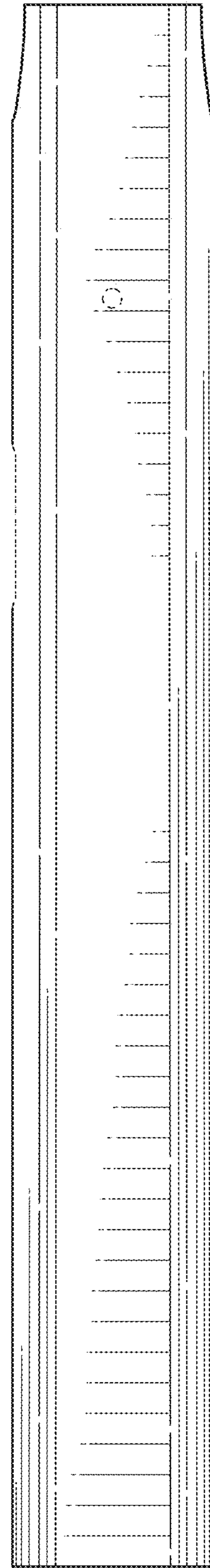


FIG. 13

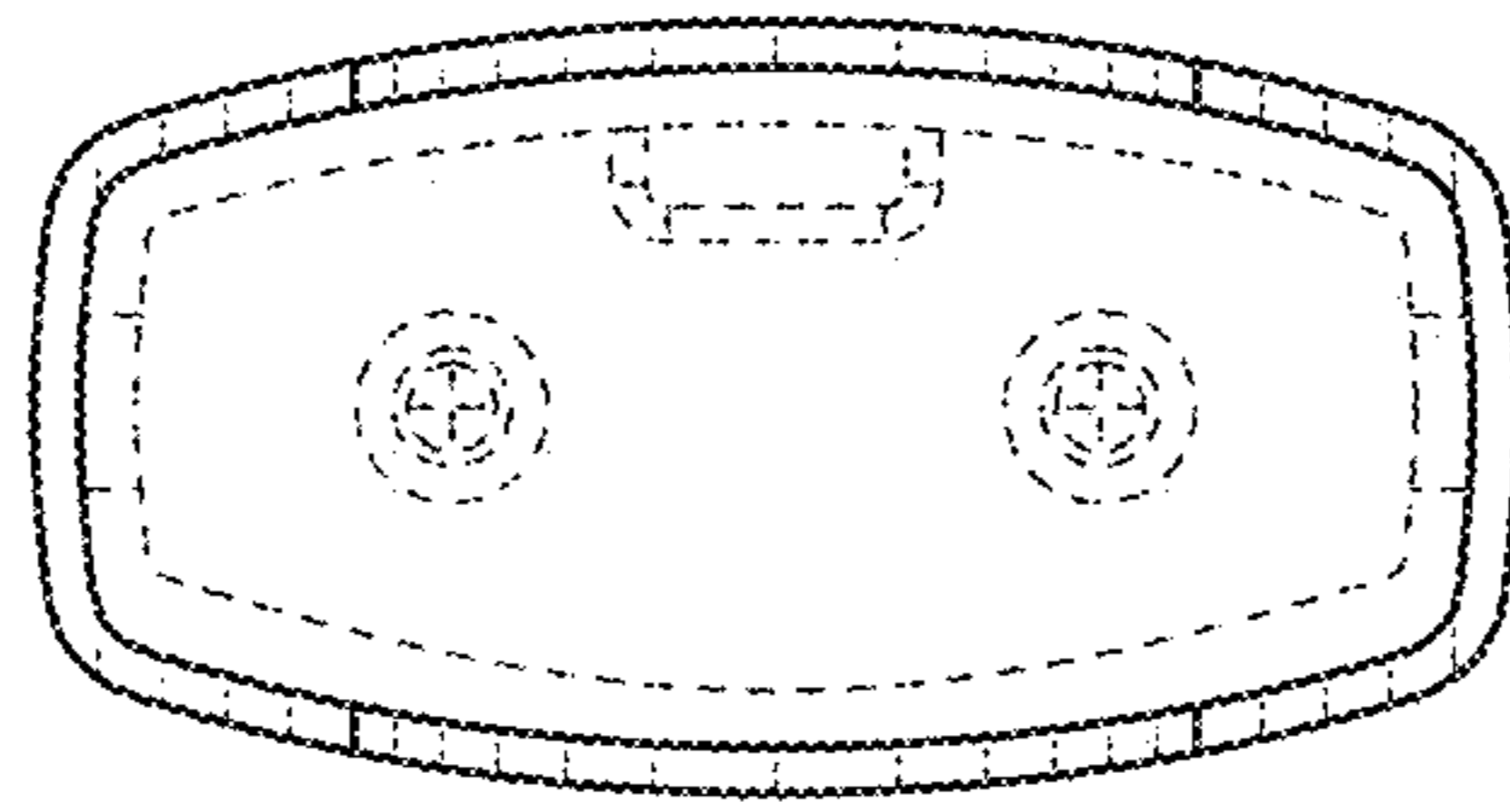


FIG. 14

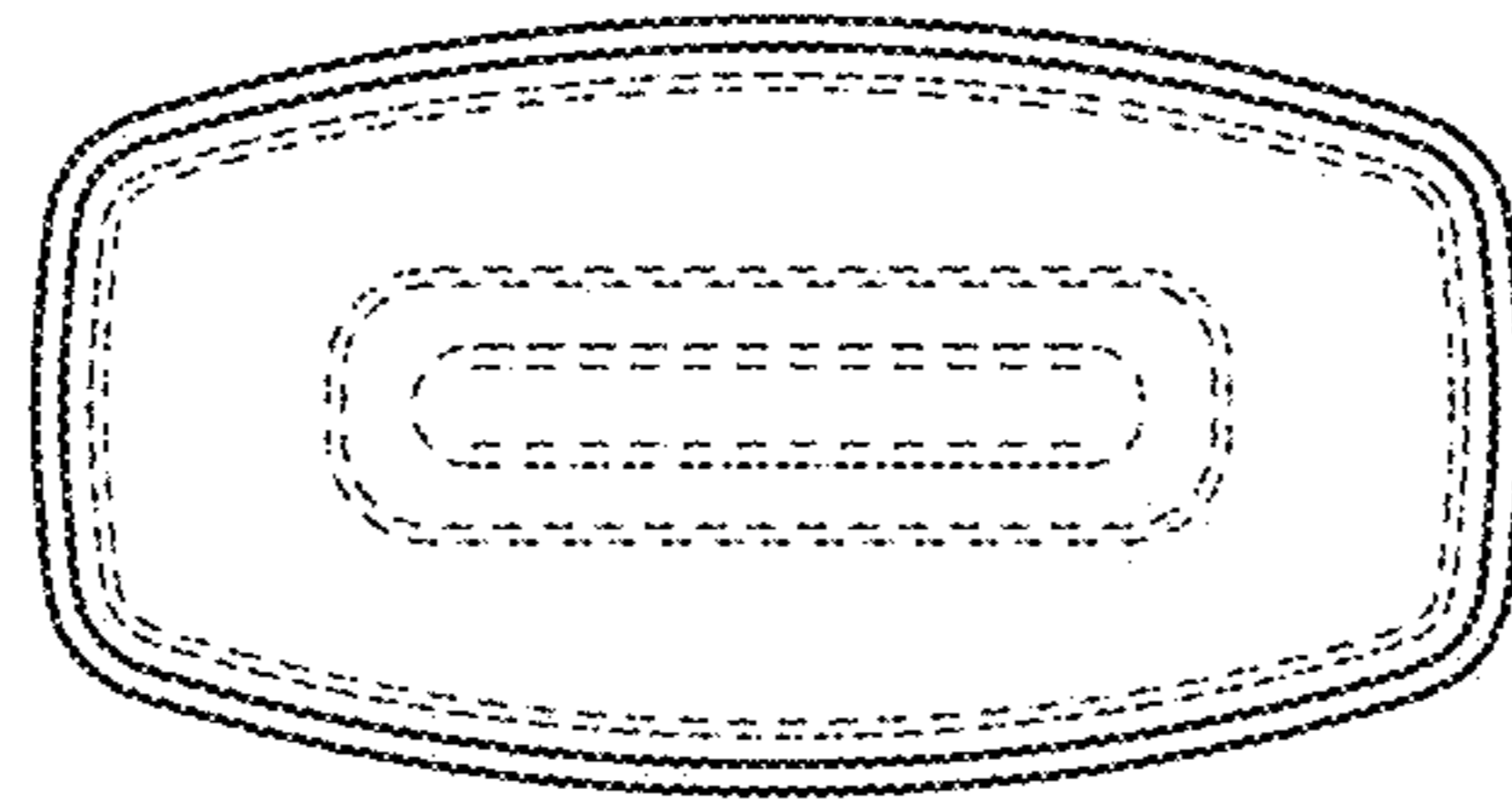


FIG. 15



FIG. 16

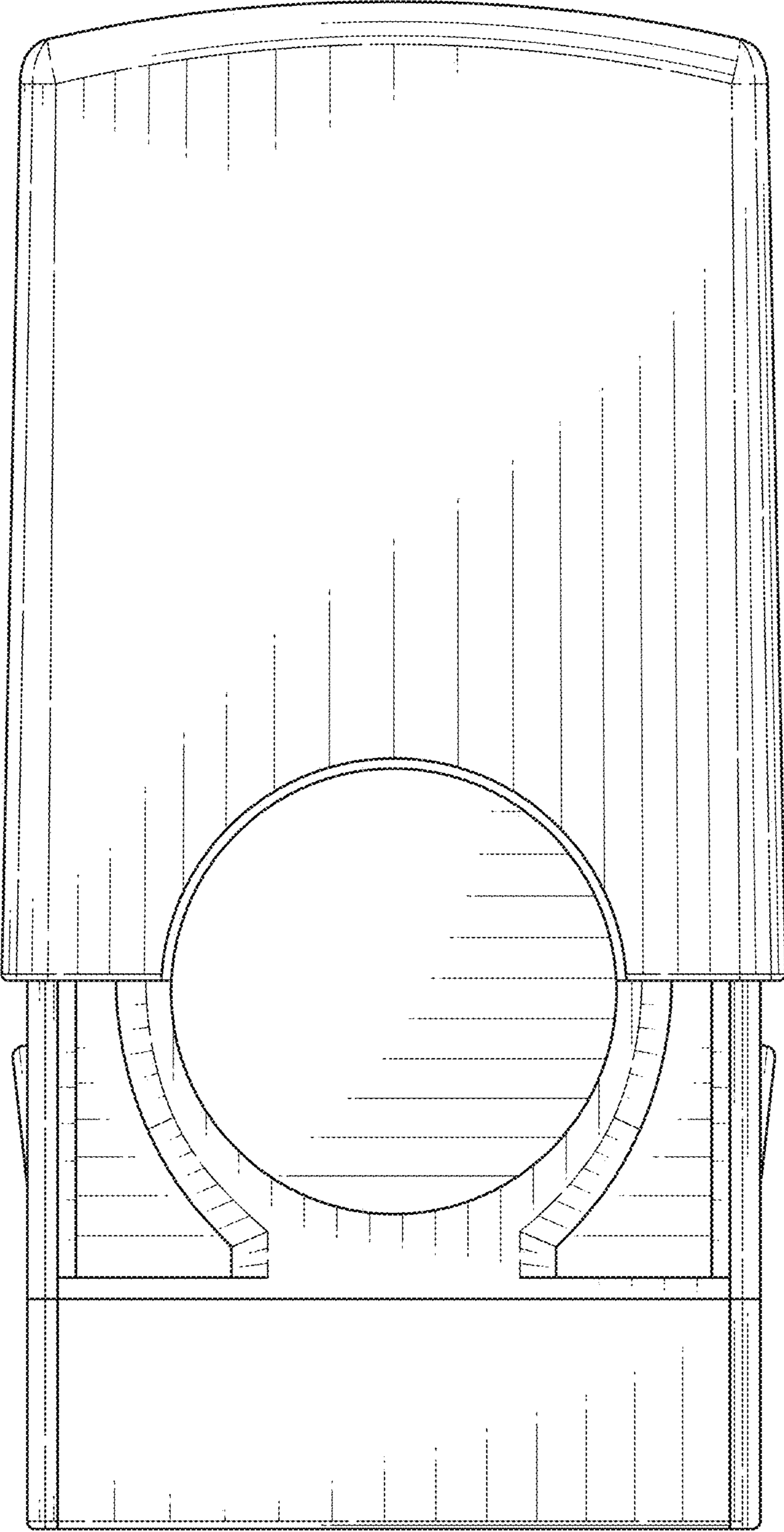


FIG. 17

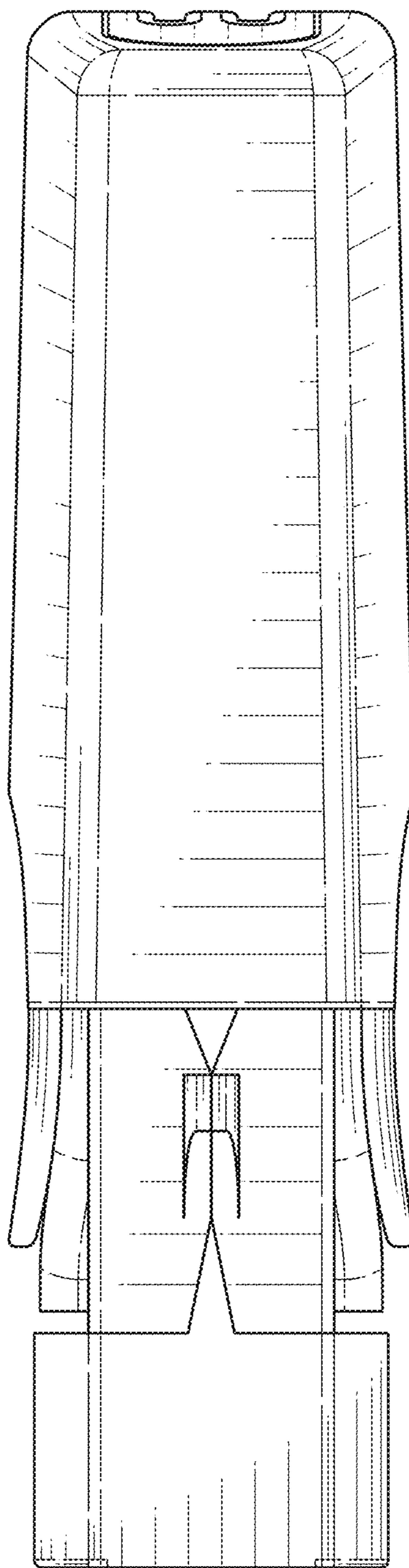


FIG. 18

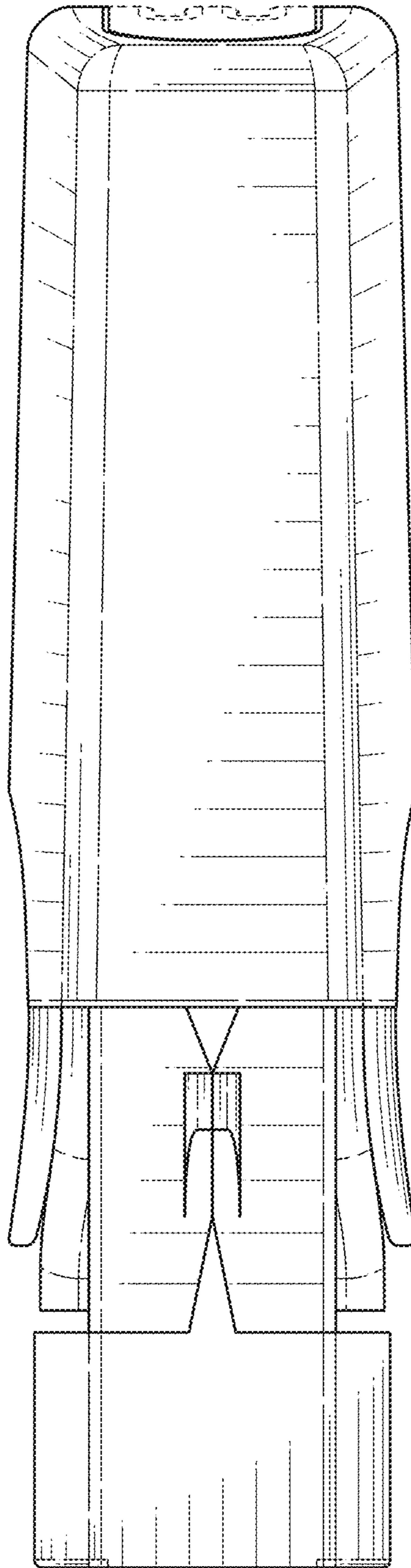


FIG. 19

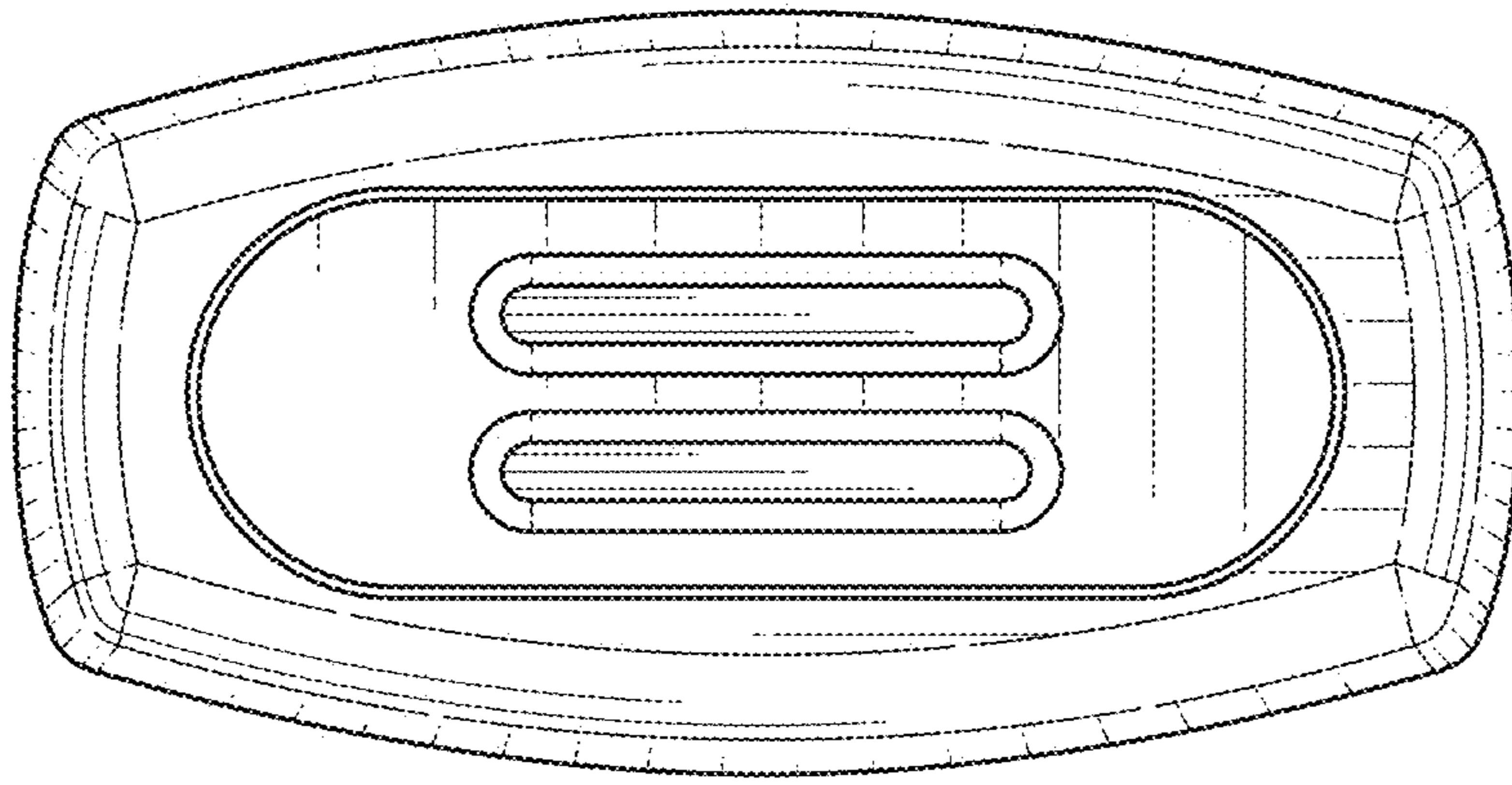


FIG. 20

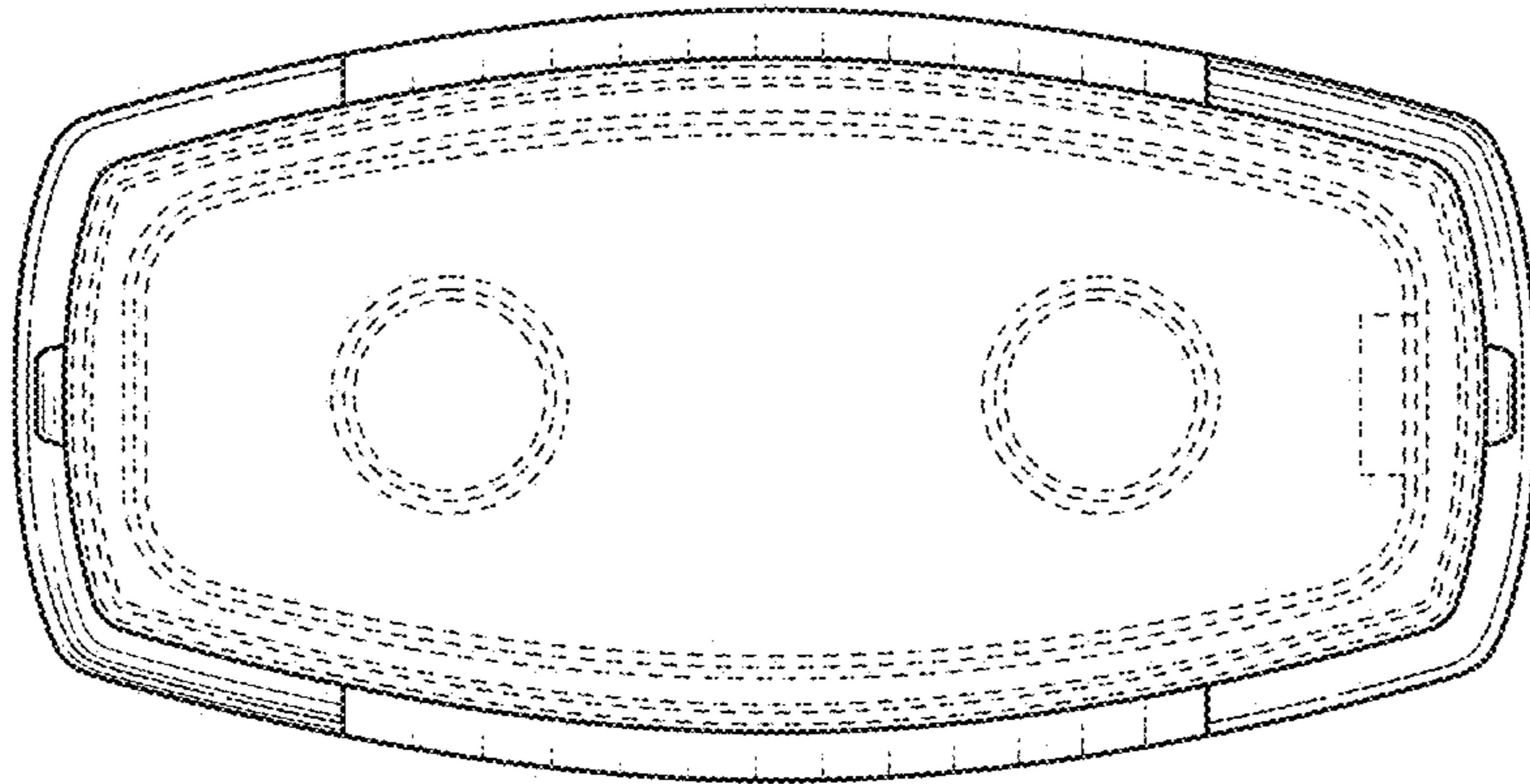


FIG. 21

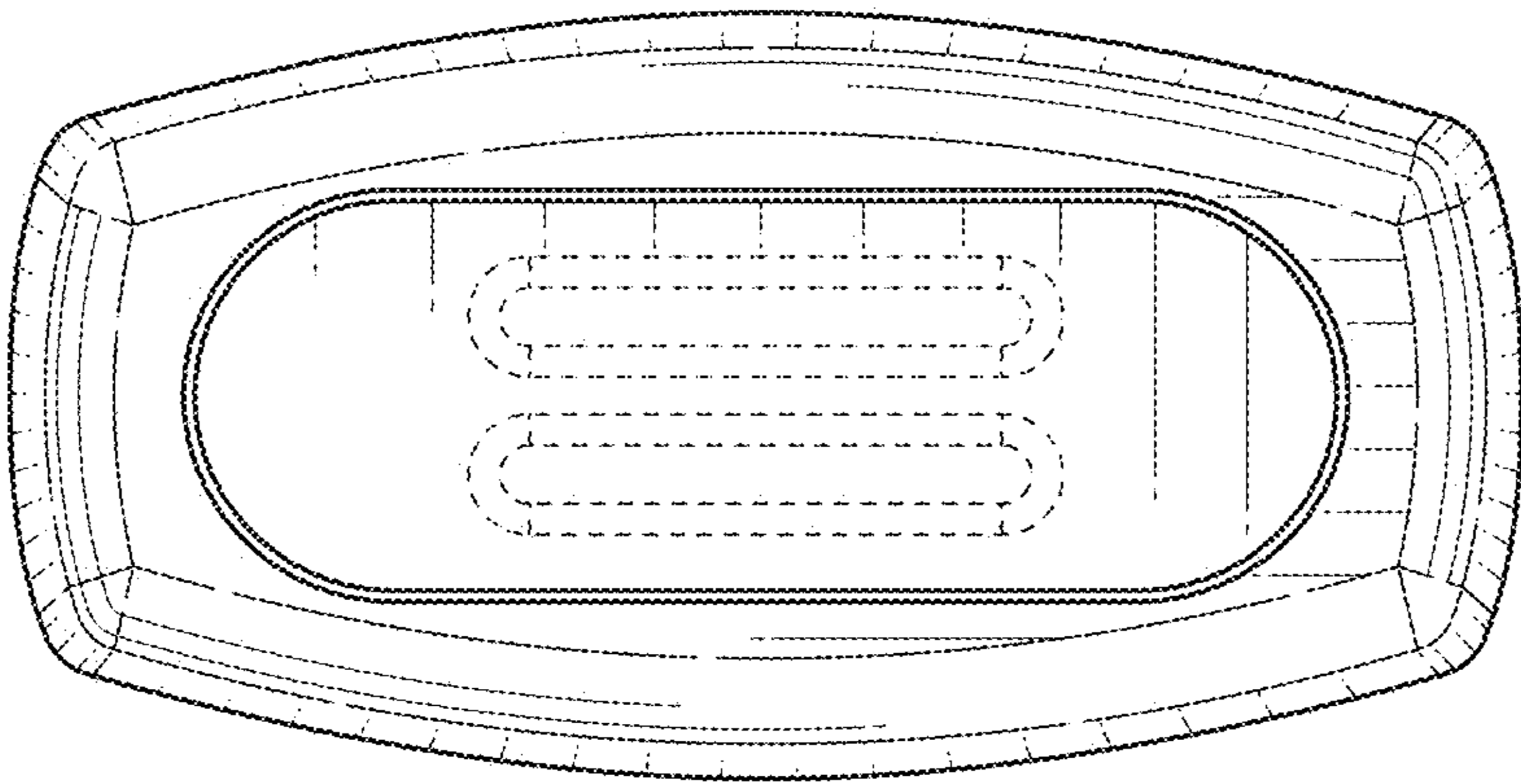


FIG. 22

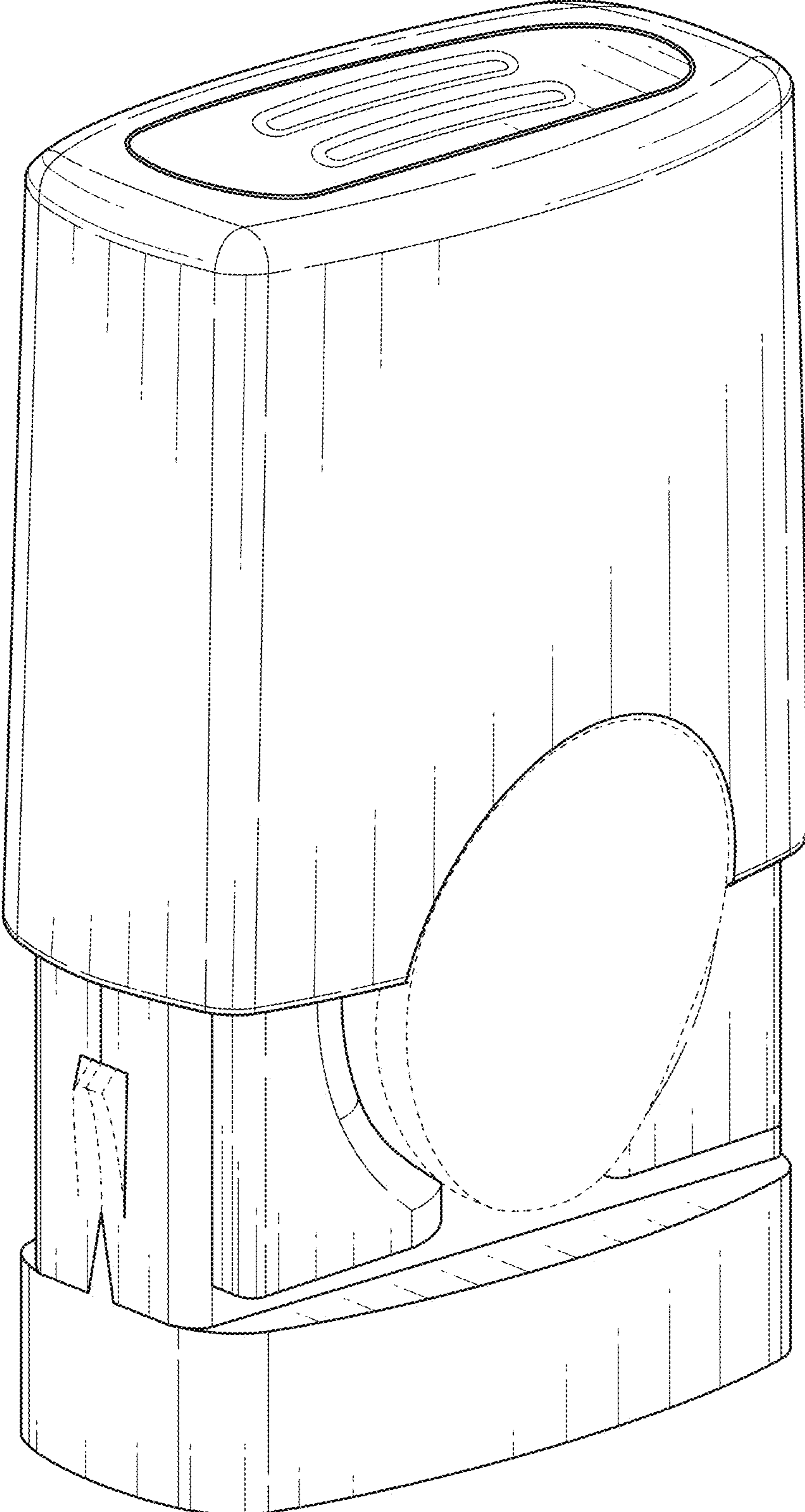


FIG. 23

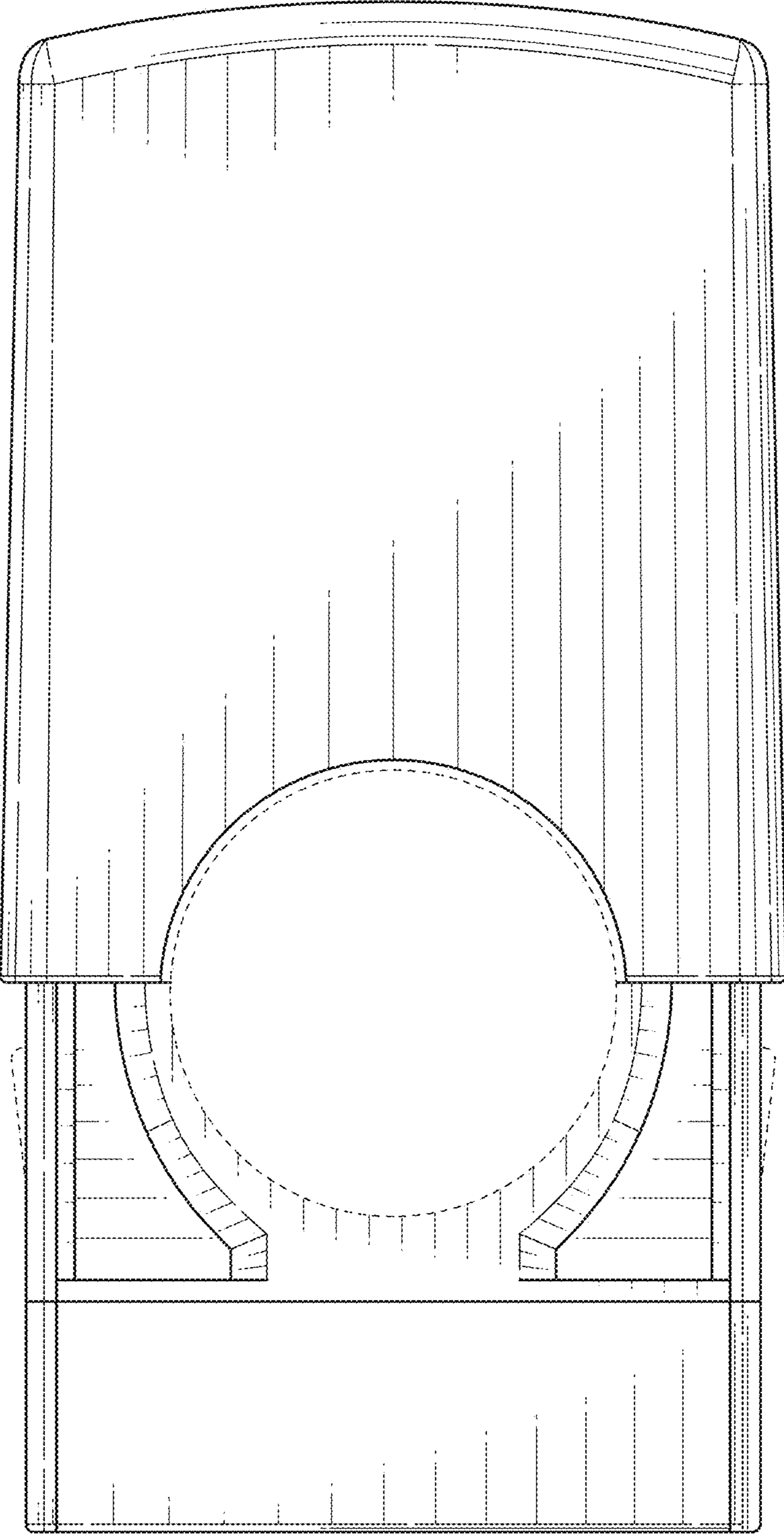


FIG. 24

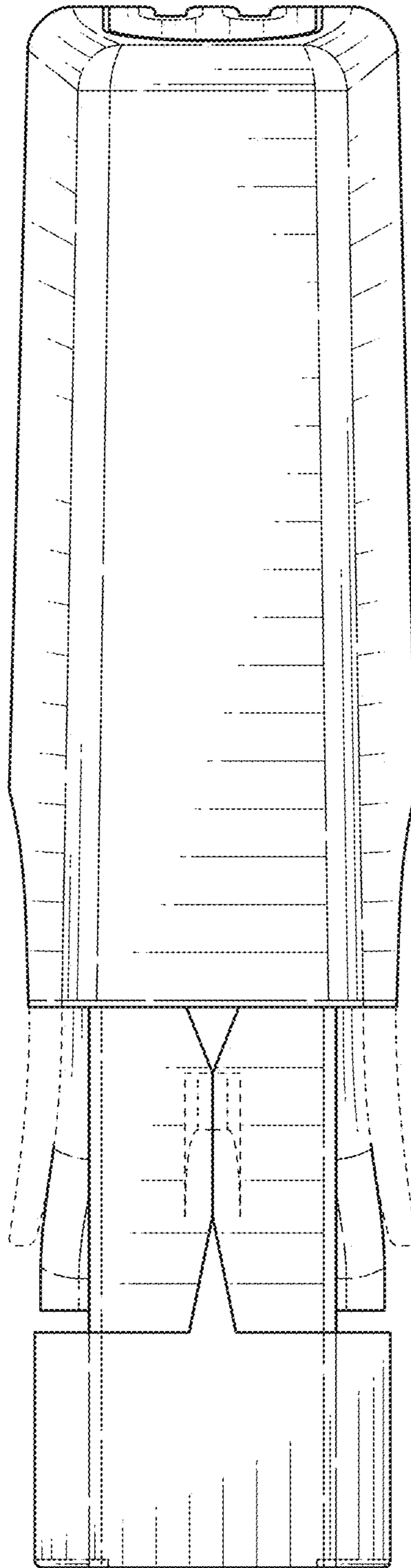


FIG. 25

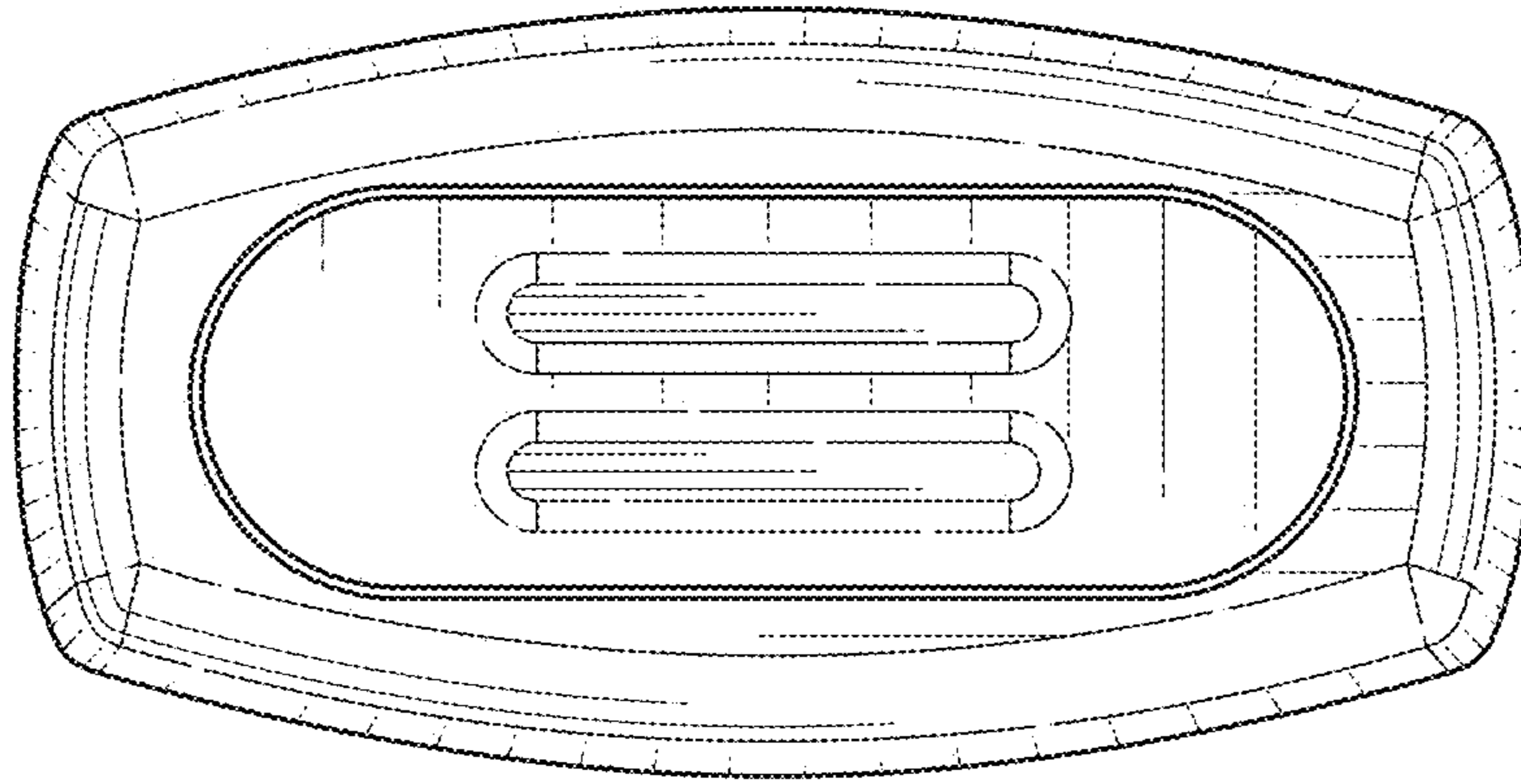


FIG. 26

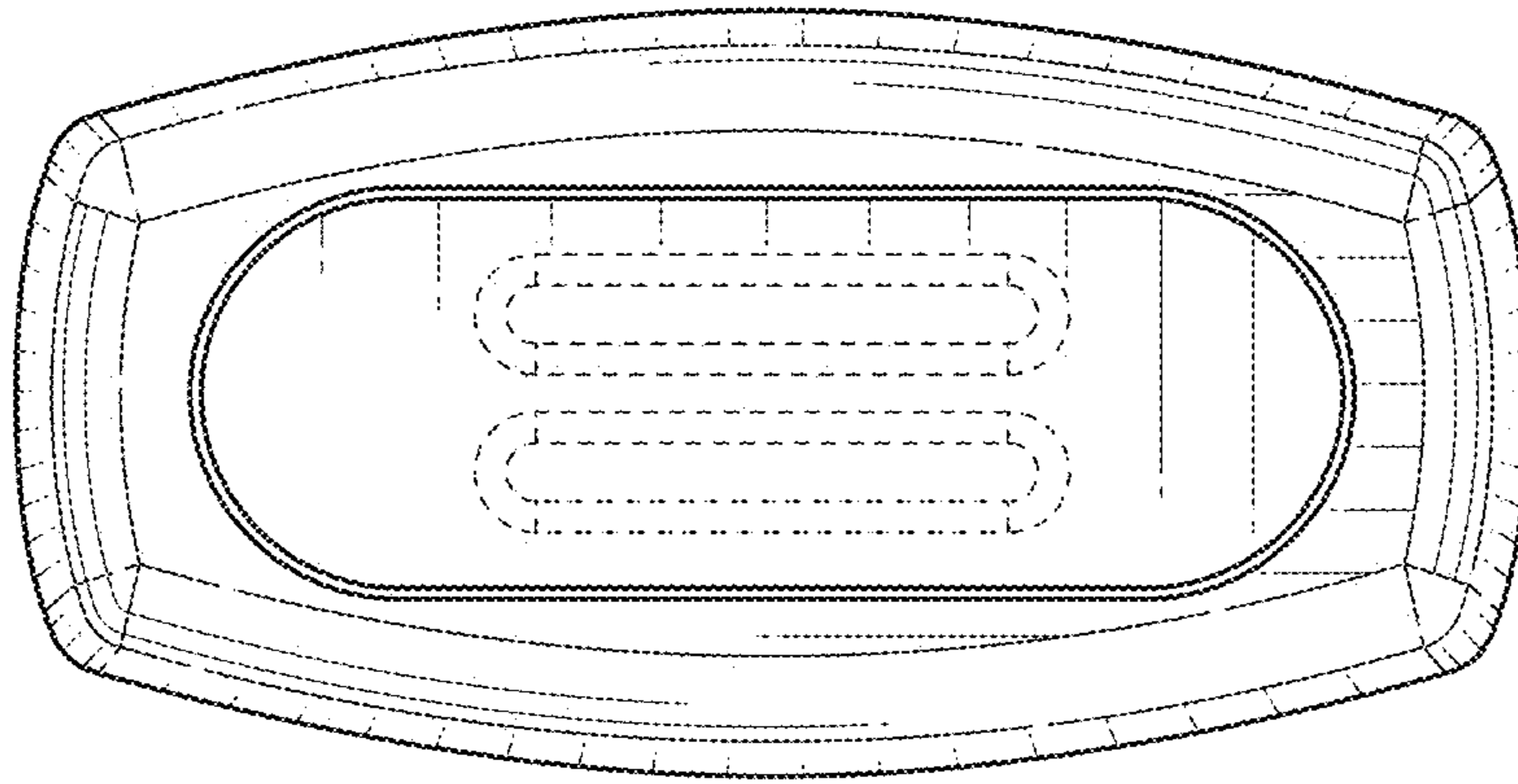


FIG. 27

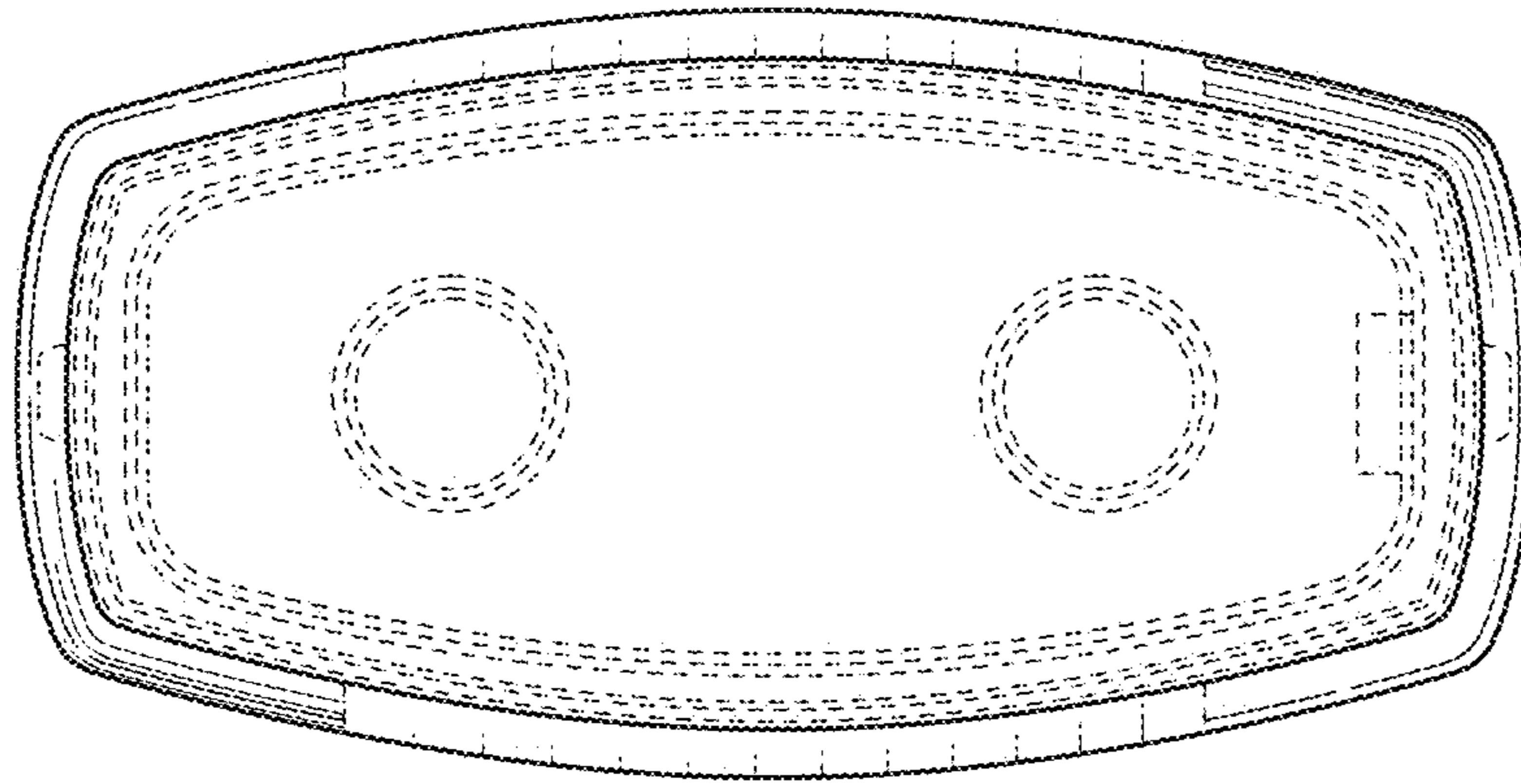


FIG. 28