



US00D930894S

(12) **United States Design Patent**  
**Fornarelli**

(10) **Patent No.:** **US D930,894 S**  
(45) **Date of Patent:** **\*\* Sep. 14, 2021**

(54) **VAPORIZATION DEVICE ASSEMBLY**

(71) Applicant: **14TH ROUND INC.**, Chicago, IL (US)

(72) Inventor: **Thomas Fornarelli**, Chicago, IL (US)

(73) Assignee: **14TH ROUND INC.**, Los Angeles, CA (US)

(\*\*) Term: **15 Years**

(21) Appl. No.: **29/685,343**

(22) Filed: **Mar. 27, 2019**

(51) **LOC (13) Cl.** ..... **27-02**

(52) **U.S. Cl.**  
USPC ..... **D27/162**

(58) **Field of Classification Search**  
USPC ..... D27/100, 101, 139, 141, 148, 157,  
D27/161–171, 183, 185–194; D13/108,  
(Continued)

(56) **References Cited**

U.S. PATENT DOCUMENTS

D43,150 S \* 10/1912 Mahn ..... D27/183  
3,550,244 A \* 12/1970 Utzy ..... F16B 1/0071  
29/407.05

(Continued)

*Primary Examiner* — Dana K Weiland

*Assistant Examiner* — Mary Claire Ramirez

(74) *Attorney, Agent, or Firm* — Flener IP & Business  
Law; Zareefa B. Flener; Ayhan E. Mertogul

(57) **CLAIM**

The ornamental design for a vaporization device assembly,  
as shown and described.

**DESCRIPTION**

FIG. 1 is a front perspective view of a vaporization device  
assembly showing a first embodiment of the new design;

FIG. 2 is a side elevational view (same from all sides) of the  
first embodiment of the vaporization device assembly of  
FIG. 1;

FIG. 3 is a top plan view of the first embodiment of the  
vaporization device assembly of FIG. 1;

FIG. 4 is a bottom plan view of the first embodiment of the  
vaporization device assembly of FIG. 1;

FIG. 5 is an exploded front perspective view of a top cap  
component and a body component of the first embodiment  
of the vaporization device assembly of FIG. 1;

FIG. 6 is front perspective view of the body component of  
the first embodiment of the vaporization device assembly of  
FIG. 1;

FIG. 7 is a side elevational view (same from all sides) of the  
body component of the first embodiment of the vaporization  
device assembly of FIG. 1;

FIG. 8 is a side elevational view (same from all sides) of the  
body component of a second embodiment of the vaporiza-  
tion device assembly, the only difference with the first  
embodiment being the bottom square of the body compo-  
nent, it being understood that the top plan and bottom plan  
views of the second embodiment of the vaporization device  
assembly are the same as those of the first embodiment;

FIG. 9 is a top plan view of the body component of the first  
embodiment of the vaporization device assembly;

FIG. 10 is a bottom plan view of the body component of the  
first embodiment of the vaporization device assembly;

FIG. 11 is a bottom plan view of the body component of a  
third embodiment of the vaporization device assembly, the  
only difference with the first embodiment being the bracket  
features of the body component, it being understood that all  
other surfaces are the same as those of the first embodiment;

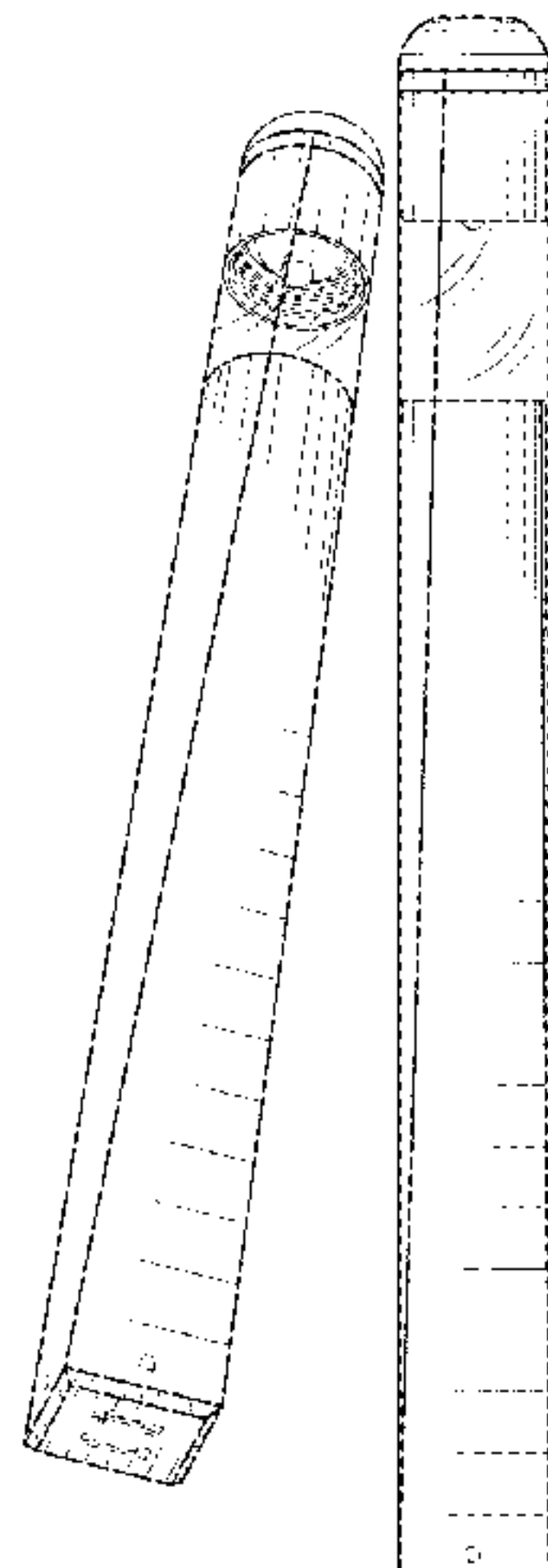
FIG. 12 is a bottom perspective view of the top cap  
component of the first embodiment of the vaporization  
device assembly;

FIG. 13 is a side elevational view (same from all sides) of  
the top cap component of the first embodiment of the  
vaporization device assembly;

FIG. 14 is a top plan view of the top cap component of the  
first embodiment of the vaporization device assembly;

FIG. 15 is a top plan view of the top cap component of a  
fourth embodiment of the vaporization device assembly, the  
only difference with the first embodiment being the bracket

(Continued)





features of the top cap component, it being understood that all other surfaces are the same as those of the first embodiment;

FIG. 16 is a bottom plan view of the top cap component of the first embodiment of the vaporization device assembly;

FIG. 17 is a bottom plan view of the top cap component of the fourth embodiment of the vaporization device assembly, the only difference with the first embodiment being the bracket features of the top cap component, it being understood that all other surfaces are the same as those of the first embodiment;

FIG. 18 is a front perspective view of a vaporization device assembly showing a fifth embodiment of the new design;

FIG. 19 is a side elevational view (same from all sides) of the fifth embodiment of the vaporization device assembly of FIG. 18;

FIG. 20 is a top plan view of the fifth embodiment of the vaporization device assembly of FIG. 18;

FIG. 21 is a bottom plan view of the fifth embodiment of the vaporization device assembly of FIG. 18;

FIG. 22 is an exploded front perspective view of the top cap component and the body component of the fifth embodiment of the vaporization device assembly of FIG. 18;

FIG. 23 is front perspective view of the body component of the fifth embodiment of the vaporization device assembly of FIG. 18;

FIG. 24 is a side elevational view (same from all sides) of the body component of the fifth embodiment of the vaporization device assembly of FIG. 18;

FIG. 25 is a side elevational view (same from all sides) of the body component of a sixth embodiment of the vaporization device assembly, the only difference with the fifth embodiment being the bottom square of the body component, it being understood that the top plan and bottom plan views of the sixth embodiment of the vaporization device assembly are the same as those of the fifth embodiment;

FIG. 26 is a top plan view of the body component of the fifth embodiment of the vaporization device assembly;

FIG. 27 is a bottom plan view of the body component of the fifth embodiment of the vaporization device assembly;

FIG. 28 is a bottom plan view of the body component of a seventh embodiment of the vaporization device assembly, the only difference with the fifth embodiment being the bracket features of the body component, it being understood that all other surfaces are the same as those of the fifth embodiment;

FIG. 29 is a bottom perspective view of the top cap component of the fifth embodiment of the vaporization device assembly;

FIG. 30 is a side elevational view (same from all sides) of the top cap component of the fifth embodiment of the vaporization device assembly;

FIG. 31 is a top plan view of the top cap component of the fifth embodiment of the vaporization device assembly;

FIG. 32 is a top plan view of the top cap component of an eighth embodiment of the vaporization device assembly, the only difference with the fifth embodiment being the bracket

features of the top cap component, it being understood that all other surfaces are the same as those of the fifth embodiment;

FIG. 33 is a bottom plan view of the top cap component of the fifth embodiment of the vaporization device assembly; and,

FIG. 34 is a bottom plan view of the top cap component of the eighth embodiment of the vaporization device assembly, the only difference with the fifth embodiment being the bracket features of the top cap component, it being understood that all other surfaces are the same as those of the fifth embodiment.

The broken lines in the drawings depict portions of the vaporization device assembly that form no part of the claim.

**1 Claim, 8 Drawing Sheets**

(58) **Field of Classification Search**

USPC ..... D13/144, 103, 119, 146, 168, 218;  
 D23/360, 364–366; D24/110, 110.5, 129,  
 D24/113, 112; D19/925–929, 161–166,  
 D19/173, 66, 115, 123, 177, 923,  
 D19/194–196; D28/85, 4, 7, 88, 73–76;  
 D3/201, 11, 13, 17, 273, 300, 202;  
 D14/411, 480.5, 480.1, 480.3, 483, 484.1,  
 D14/137, 250, 251, 480.7, 203.1, 203.3,  
 D14/203.7, 218, 254, 433–435, 435.1;  
 D9/686, 529; D8/107; D10/119.1, 119.3,  
 D10/119.2, 57; D17/13  
 CPC ..... A24F 40/00; A24F 40/40; A24F 40/42;  
 A24F 40/05; A24F 40/46; A24F 47/002;  
 A24F 47/008; A24D 1/14; A24D 1/042;  
 A24D 1/02; G06F 3/03545; A61M 15/06  
 See application file for complete search history.

(56) **References Cited**

U.S. PATENT DOCUMENTS

D721,202	S *	1/2015	Liu	D27/101
D725,821	S *	3/2015	Levin	D27/101
D725,822	S *	3/2015	Liu	D27/101
D749,506	S *	2/2016	Morgan	D13/108
D757,352	S *	5/2016	Bagai	D27/101
D757,994	S *	5/2016	Moradian	D27/101
D770,676	S *	11/2016	Bennett	D27/101
D793,365	S *	8/2017	Kato	D14/218
D796,511	S *	9/2017	Akana	D14/411
D819,738	S *	6/2018	Kevin	D19/163
D832,498	S *	10/2018	Chen	D27/101
D906,754	S *	1/2021	Zhu	D7/376
2013/0298905	A1 *	11/2013	Levin	A24F 40/00 128/202.21
2013/0340779	A1 *	12/2013	Liu	A24F 40/485 131/329
2016/0249684	A1 *	9/2016	Liu	A24F 40/50 131/328
2019/0059444	A1 *	2/2019	Cyphert	A61M 15/0021

\* cited by examiner

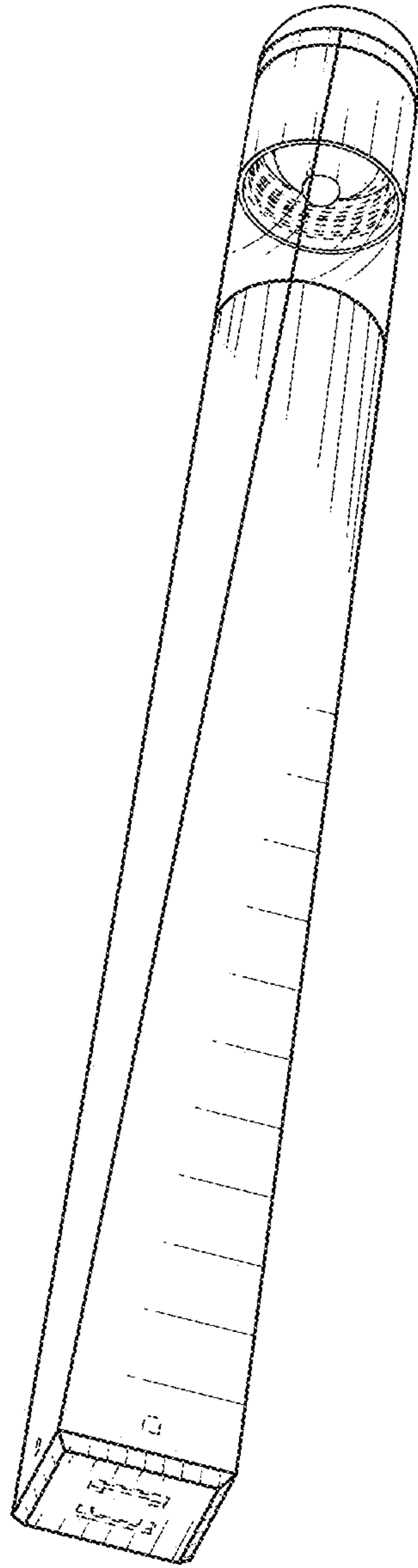


FIG. 1

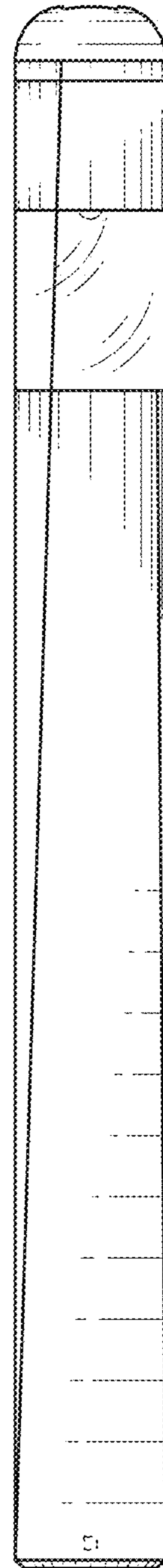


FIG. 2

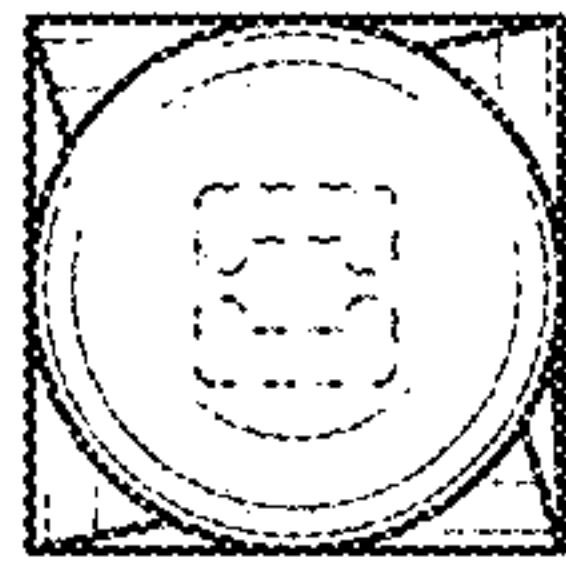


FIG. 3

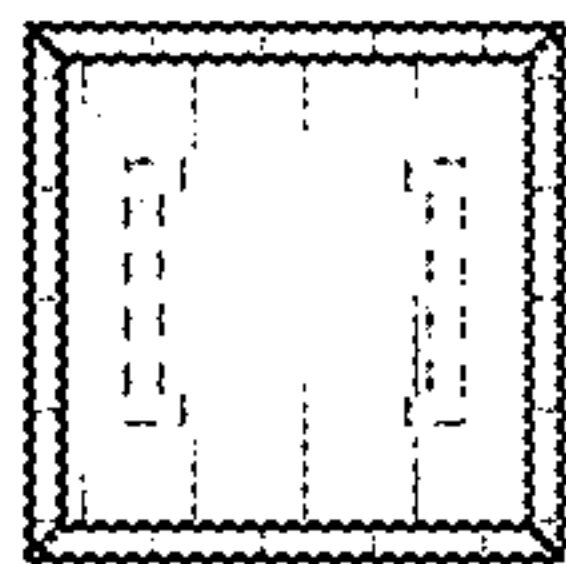


FIG. 4

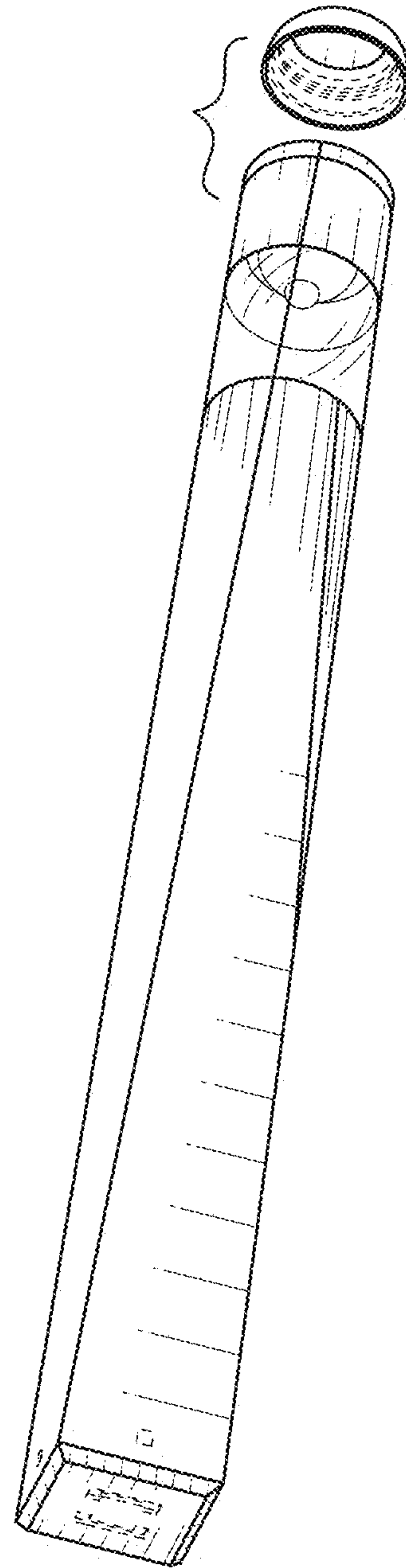


FIG. 5



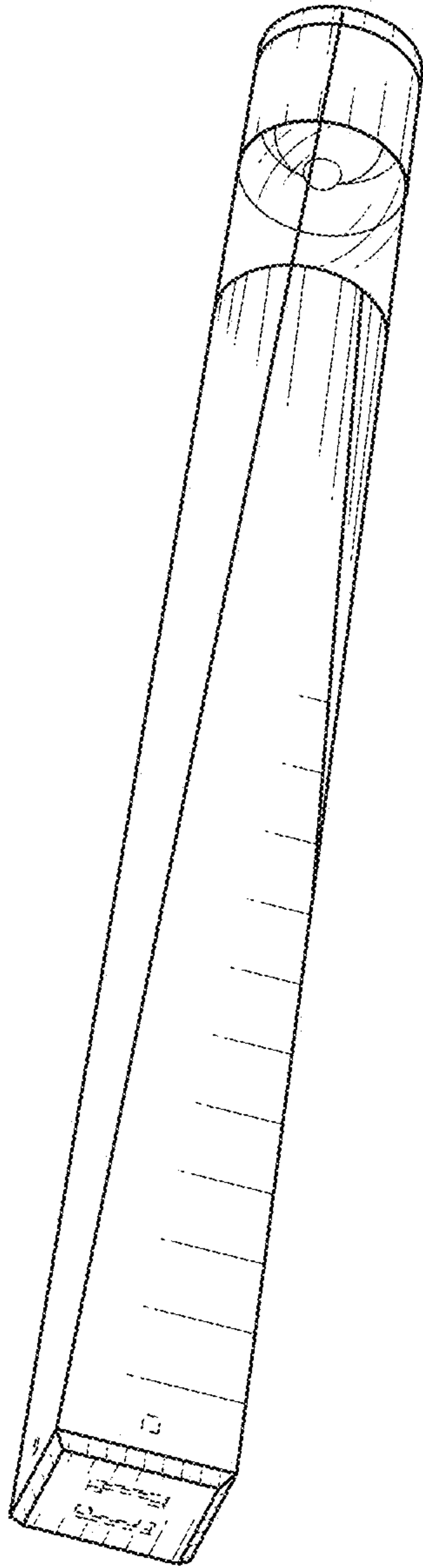


FIG. 6

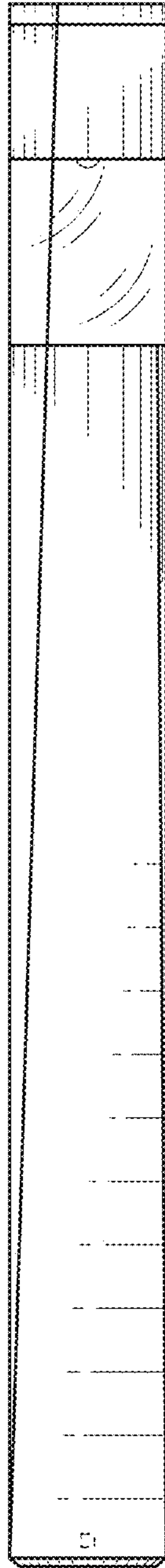


FIG. 7

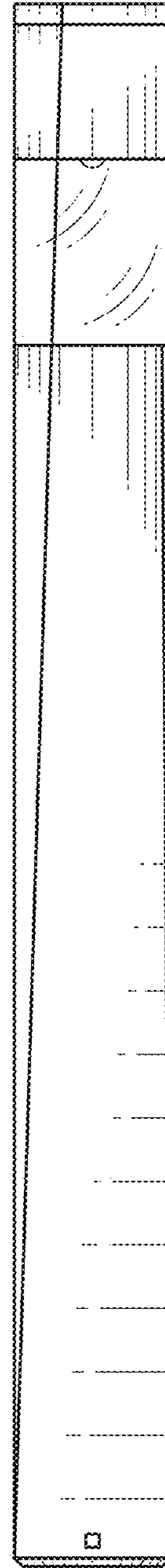


FIG. 8

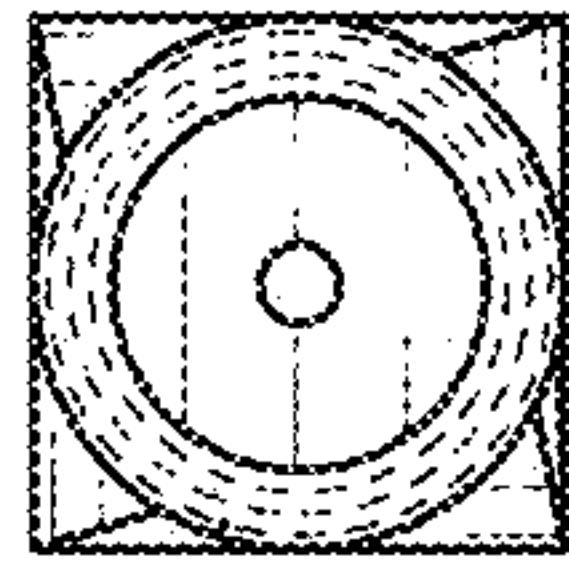


FIG. 9

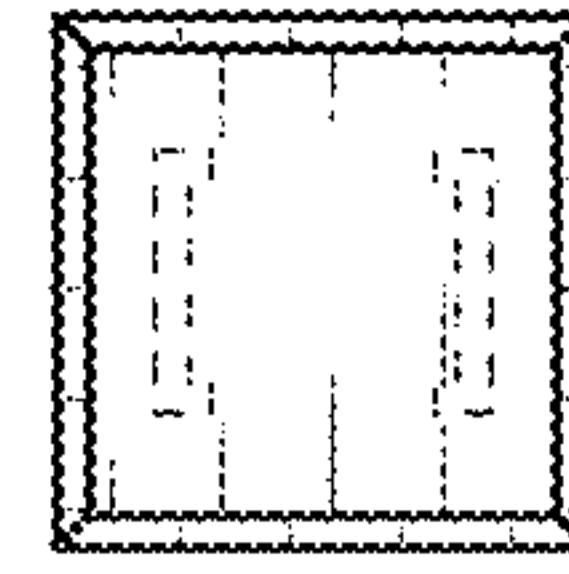


FIG. 10

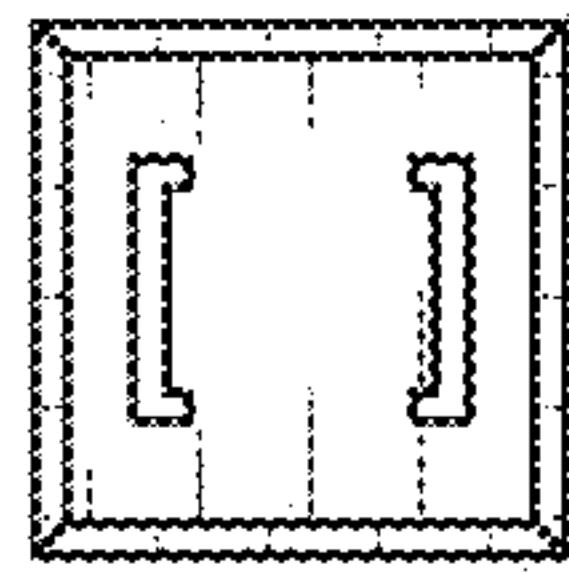


FIG. 11

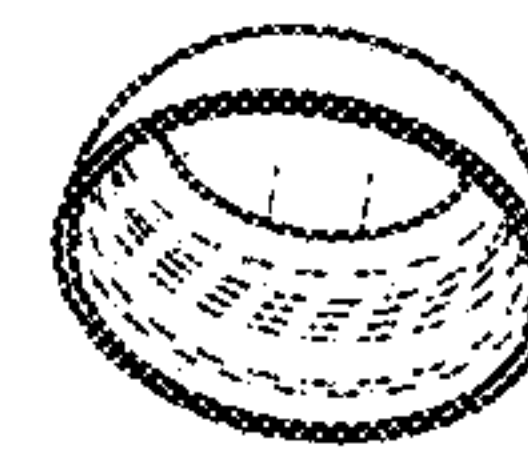


FIG. 12

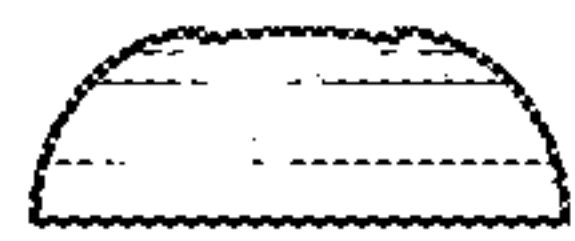


FIG. 13

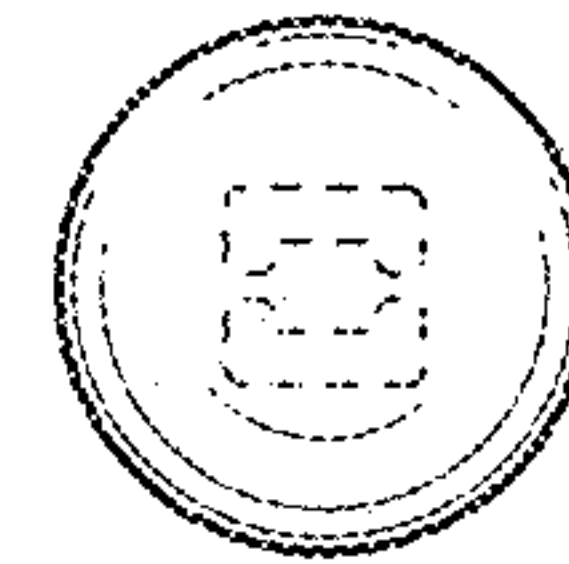


FIG. 14

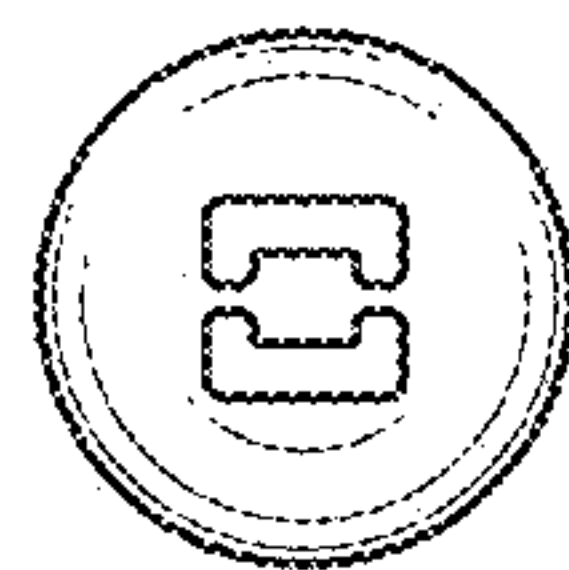


FIG. 15

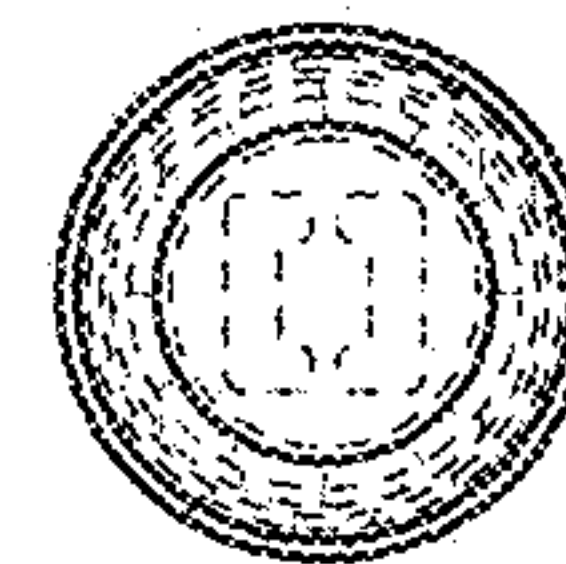


FIG. 16

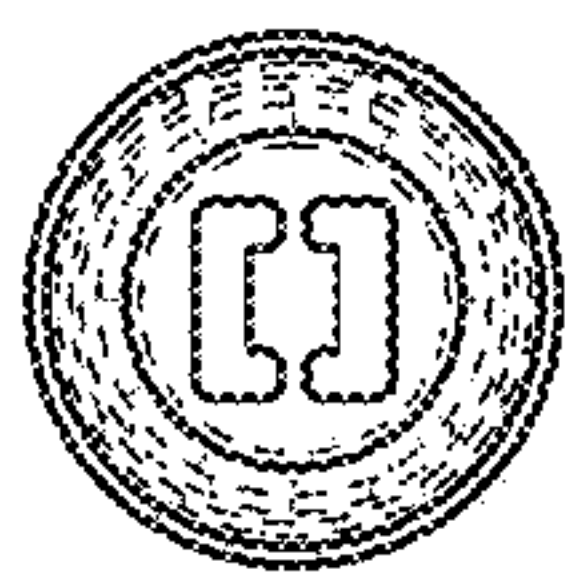


FIG. 17

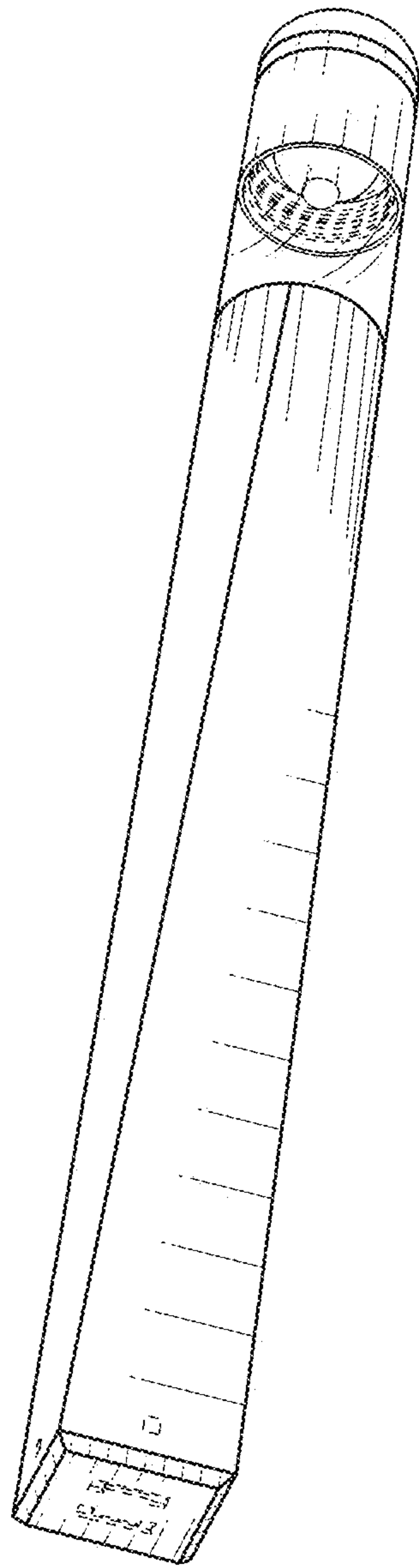


FIG. 18

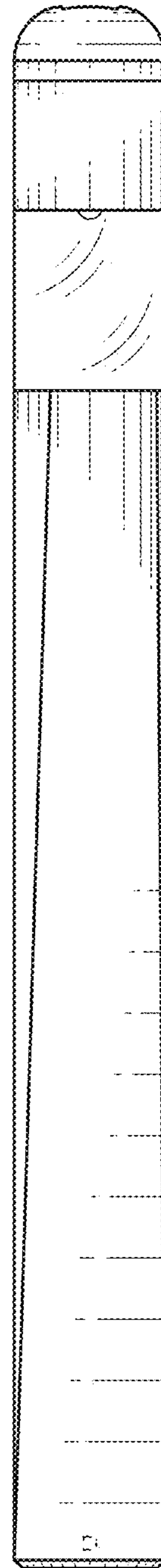


FIG. 19

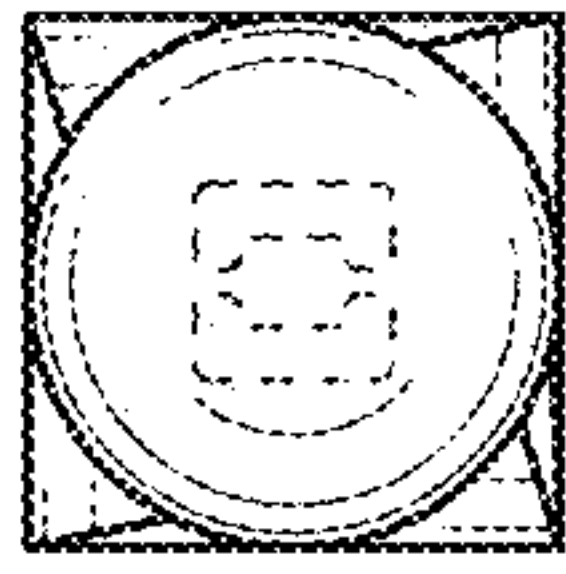


FIG. 20

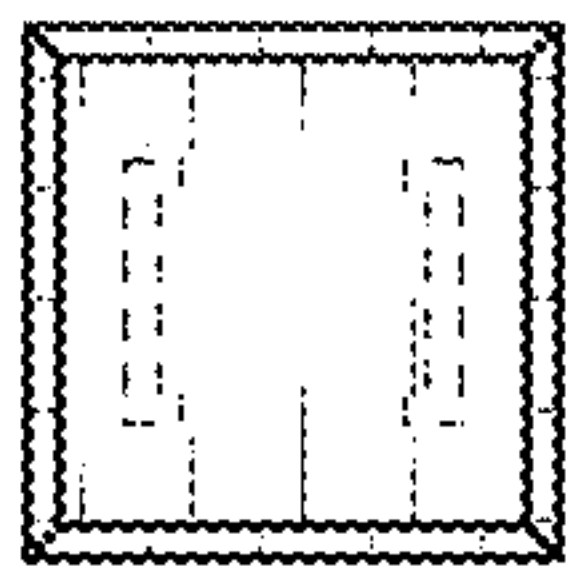


FIG. 21

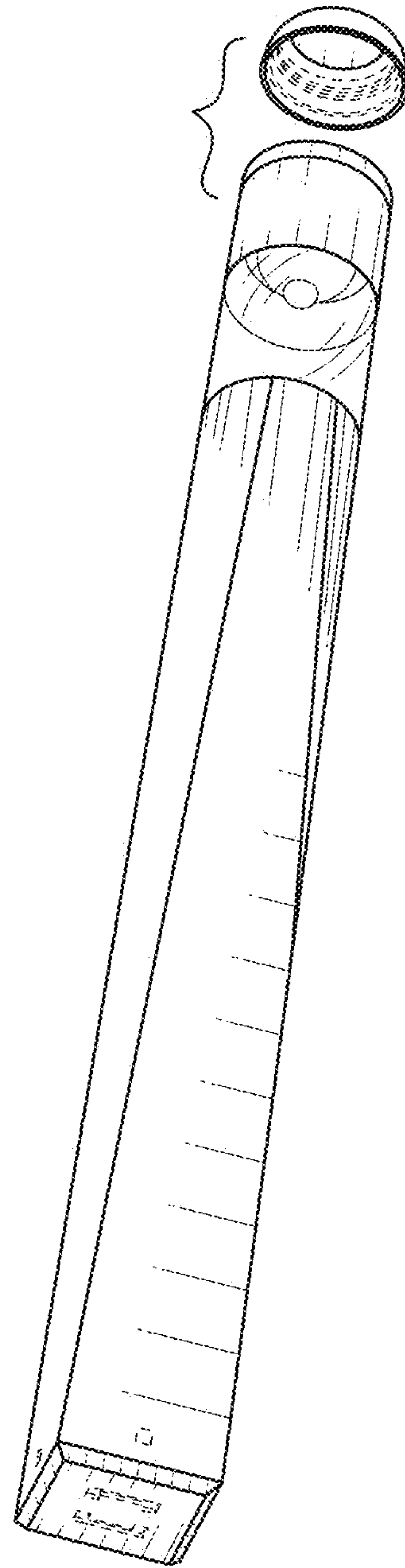


FIG. 22



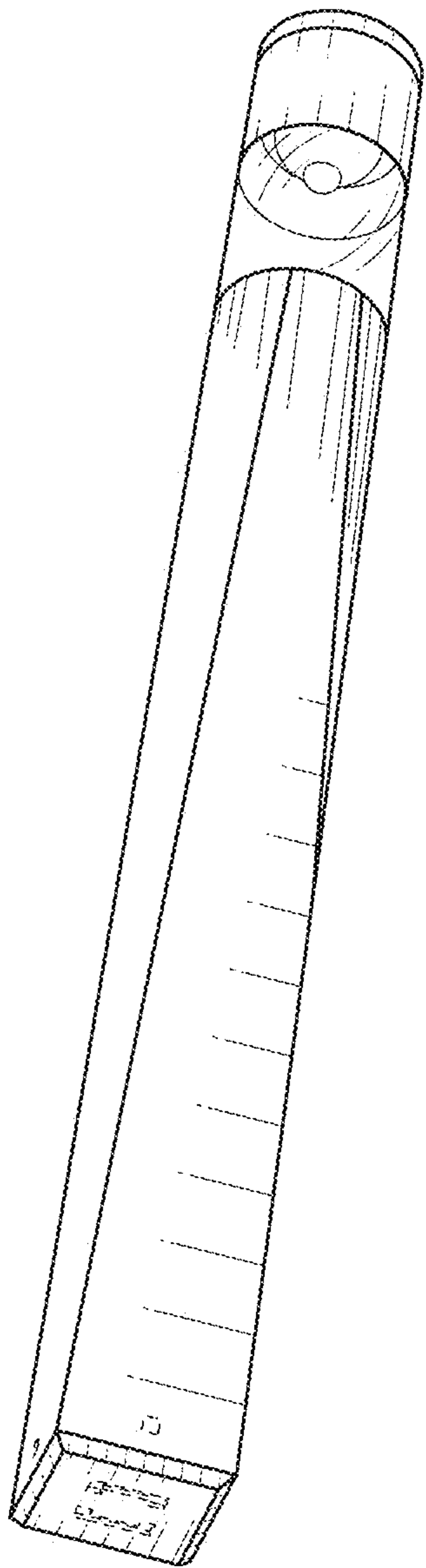


FIG. 23

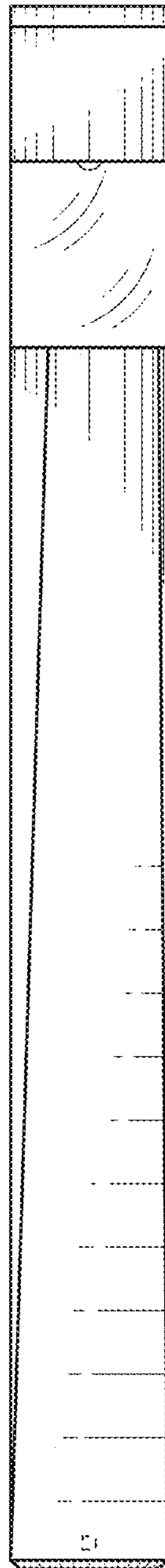


FIG. 24



FIG. 25

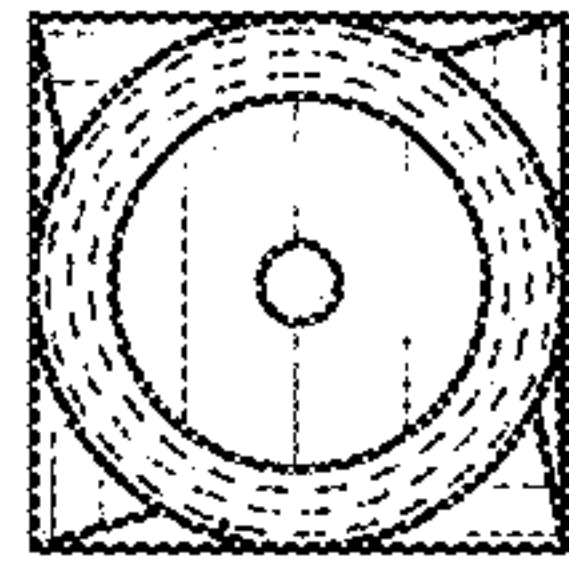


FIG. 26

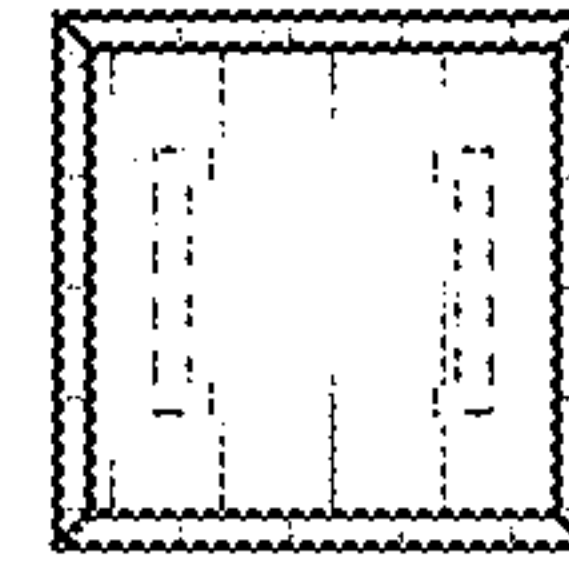


FIG. 27

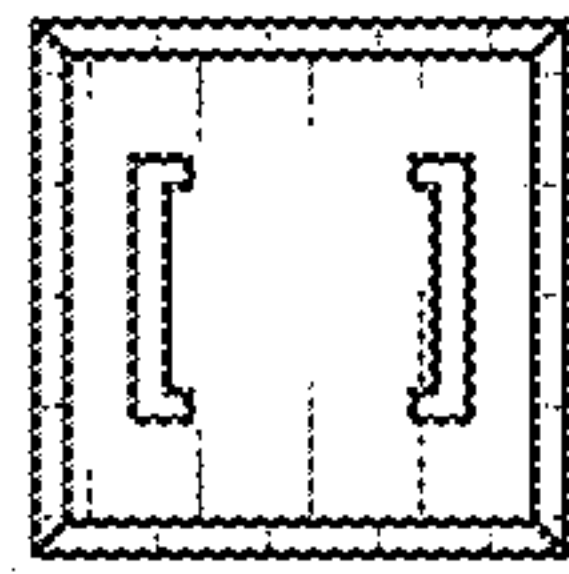


FIG. 28

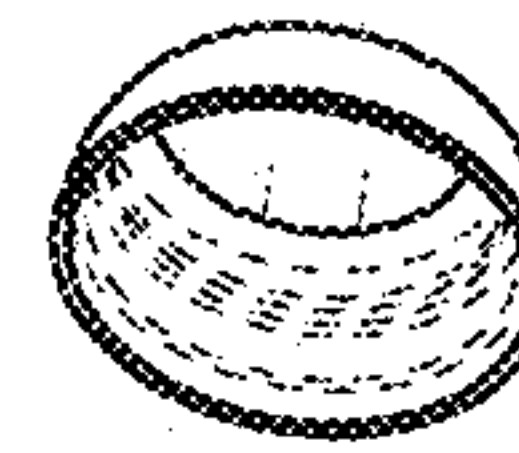


FIG. 29



FIG. 30

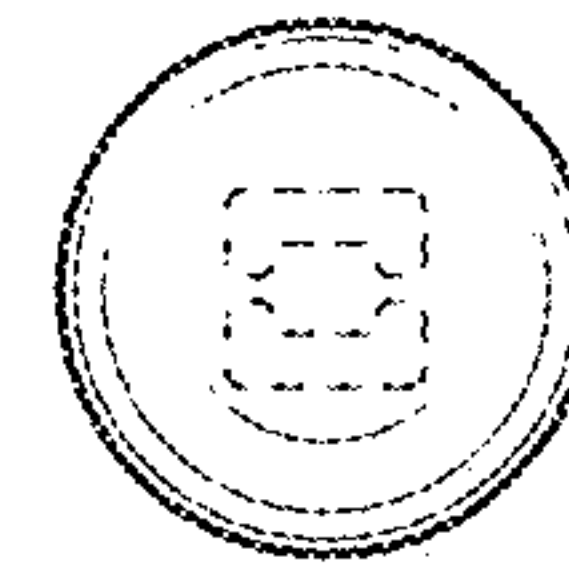


FIG. 31

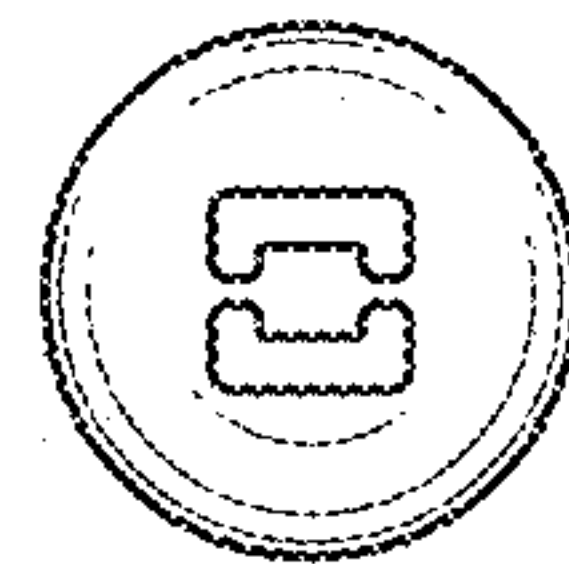


FIG. 32

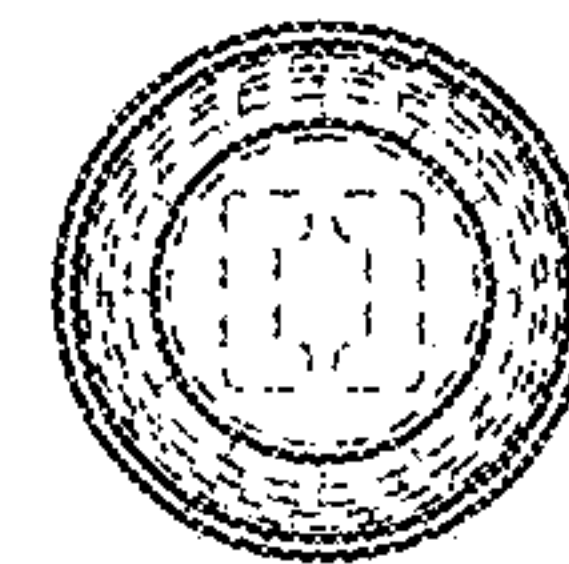


FIG. 33

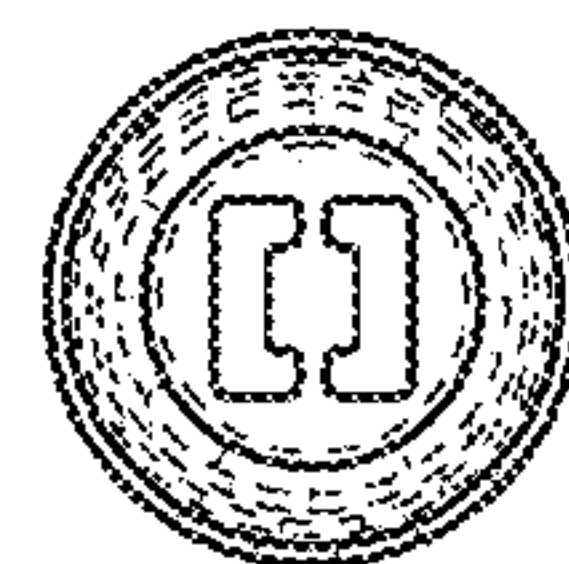


FIG. 34