



US00D930892S

(12) **United States Design Patent** (10) **Patent No.:** **US D930,892 S**  
**Galli** (45) **Date of Patent:** **\*\* Sep. 14, 2021**

(54) **CLAMPING MOUNT FOR A FLASHLIGHT**

(56) **References Cited**

(71) Applicant: **Emissive Energy Corp.**, North Kingstown, RI (US)

U.S. PATENT DOCUMENTS

(72) Inventor: **Robert D. Galli**, North Kingstown, RI (US)

D309,255	S	*	7/1990	Karow, Jr.	.....	D22/110
D365,621	S	*	12/1995	Coste	.....	D16/132
5,584,137	A		12/1996	Teetzel		
D398,410	S	*	9/1998	Fell	.....	D26/38
D415,239	S	*	10/1999	Fell	.....	D22/108
D444,531	S	*	7/2001	Squillante	.....	D22/110
6,622,416	B2		9/2003	Kim		
D481,303	S	*	10/2003	Fell	.....	D26/138
D483,650	S	*	12/2003	Squillante	.....	D8/349
D502,245	S	*	2/2005	Fell	.....	D22/110
D505,177	S	*	5/2005	Fell	.....	D22/110
7,332,682	B2		2/2008	Kim		
D568,508	S	*	5/2008	Howe	.....	D26/38
7,581,848	B1		9/2009	Parsons et al.		
D607,079	S	*	12/2009	Moody	.....	D22/109
D607,959	S	*	1/2010	Moody	.....	D22/109
D635,216	S	*	3/2011	Moody	.....	D22/108
8,448,368	B2		5/2013	Cabahug et al.		
8,607,492	B2		12/2013	Hartley et al.		
8,727,556	B2		5/2014	Swan		

(73) Assignee: **EMISSIVE ENERGY CORP.**, North Kingstown, RI (US)

(\*\*) Term: **15 Years**

(21) Appl. No.: **29/705,295**

(22) Filed: **Sep. 11, 2019**

**Related U.S. Application Data**

(63) Continuation of application No. 29/650,211, filed on Jun. 5, 2018, now Pat. No. Des. 880,740, which is a continuation-in-part of application No. 15/607,451, filed on May 27, 2017, now Pat. No. 10,151,564.

(51) **LOC (13) Cl.** ..... **26-05**

(52) **U.S. Cl.**  
USPC ..... **D26/142**

(58) **Field of Classification Search**  
USPC ..... D26/37-51, 63, 72, 74, 76, 78-83, 85, D26/86, 88, 90, 93, 111, 113, 118, 119, D26/120, 121, 122, 138, 139, 140, 141, D26/142, 152  
CPC ..... F21L 2003/00; F21L 4/005; F21L 4/025; F21L 4/027; F21L 4/04; F21L 4/08; F21L 13/00; F21L 13/08; F21L 14/02; F21L 19/00; F21L 2/00; F21L 4/00-4/085; F21L 15/00-15/14; F21L 2001/00; F21L 2005/00; F21L 25/00

See application file for complete search history.

(Continued)

*Primary Examiner* — Michelle E. Wilson

(74) *Attorney, Agent, or Firm* — Barlow, Josephs & Holmes, Ltd.

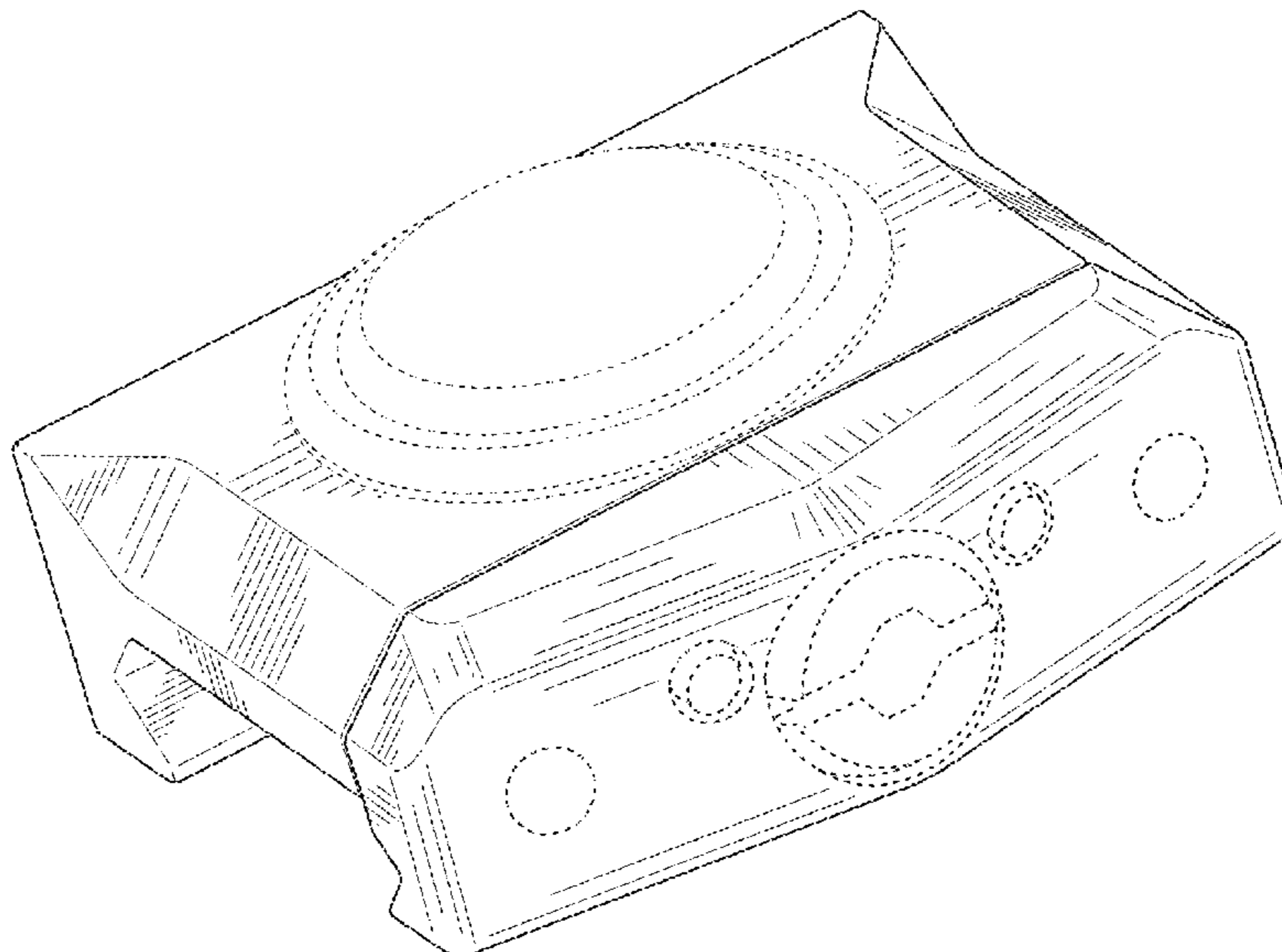
(57) **CLAIM**

The ornamental design for a clamping mount for a flashlight, as shown and described.

**DESCRIPTION**

FIG. 1 is a perspective view of a clamping mount for a flashlight in accordance with the present design; FIG. 2 is a front view thereof; FIG. 3 is a rear view thereof; FIG. 4 is a right view thereof; FIG. 5 is a top view thereof; and, FIG. 6 is a bottom view thereof. The broken lines in the drawings illustrate portions of the clamping mount for a flashlight which form no part of the claimed design.

**1 Claim, 4 Drawing Sheets**



(56)

**References Cited**

U.S. PATENT DOCUMENTS

8,944,626	B2	2/2015	Matthews et al.
9,562,550	B2	2/2017	Swan et al.
D812,179	S *	3/2018	Anderson ..... D22/109
D845,115	S *	4/2019	James ..... D8/373
2007/0227056	A1	10/2007	Howe et al.
2011/0162251	A1	7/2011	Houde-Walter
2013/0061504	A1	3/2013	Malherbe et al.
2014/0063791	A1	3/2014	Frazier
2014/0092588	A1	4/2014	Toman et al.
2015/0159847	A1	6/2015	Galli et al.
2015/0316355	A1	11/2015	Boswell
2016/0341521	A1	11/2016	Bigby et al.

\* cited by examiner

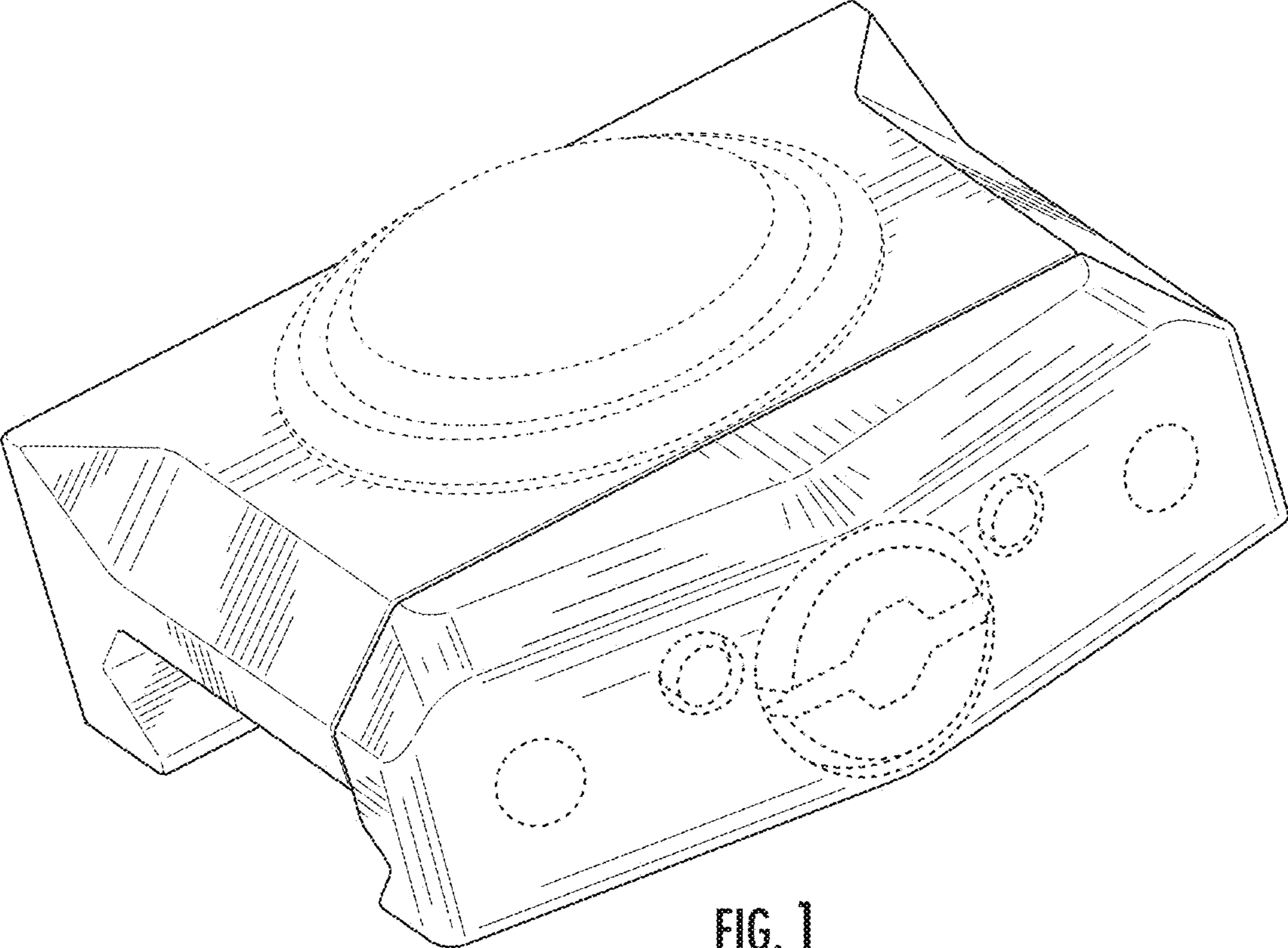


FIG. 1

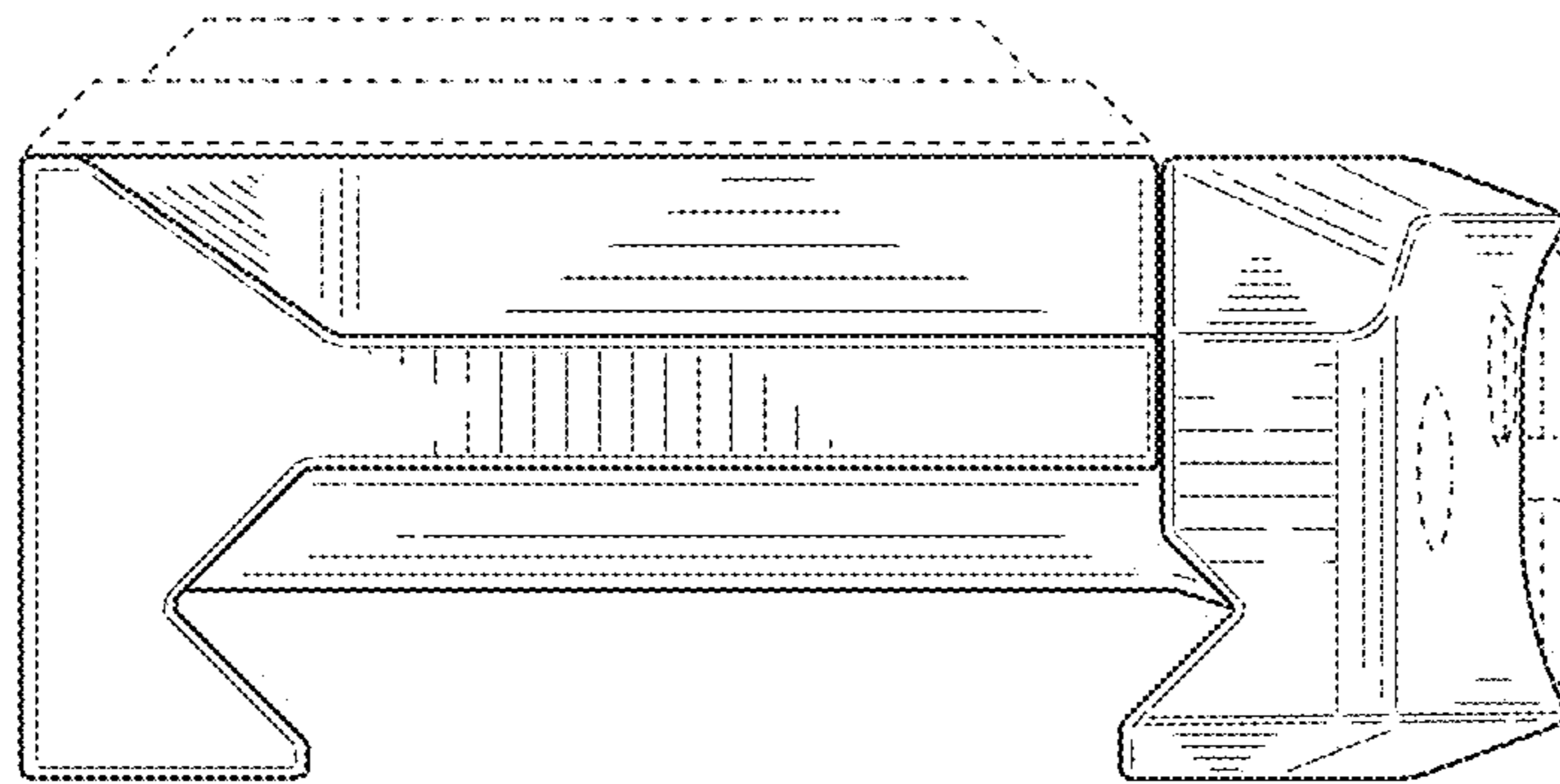


FIG. 2

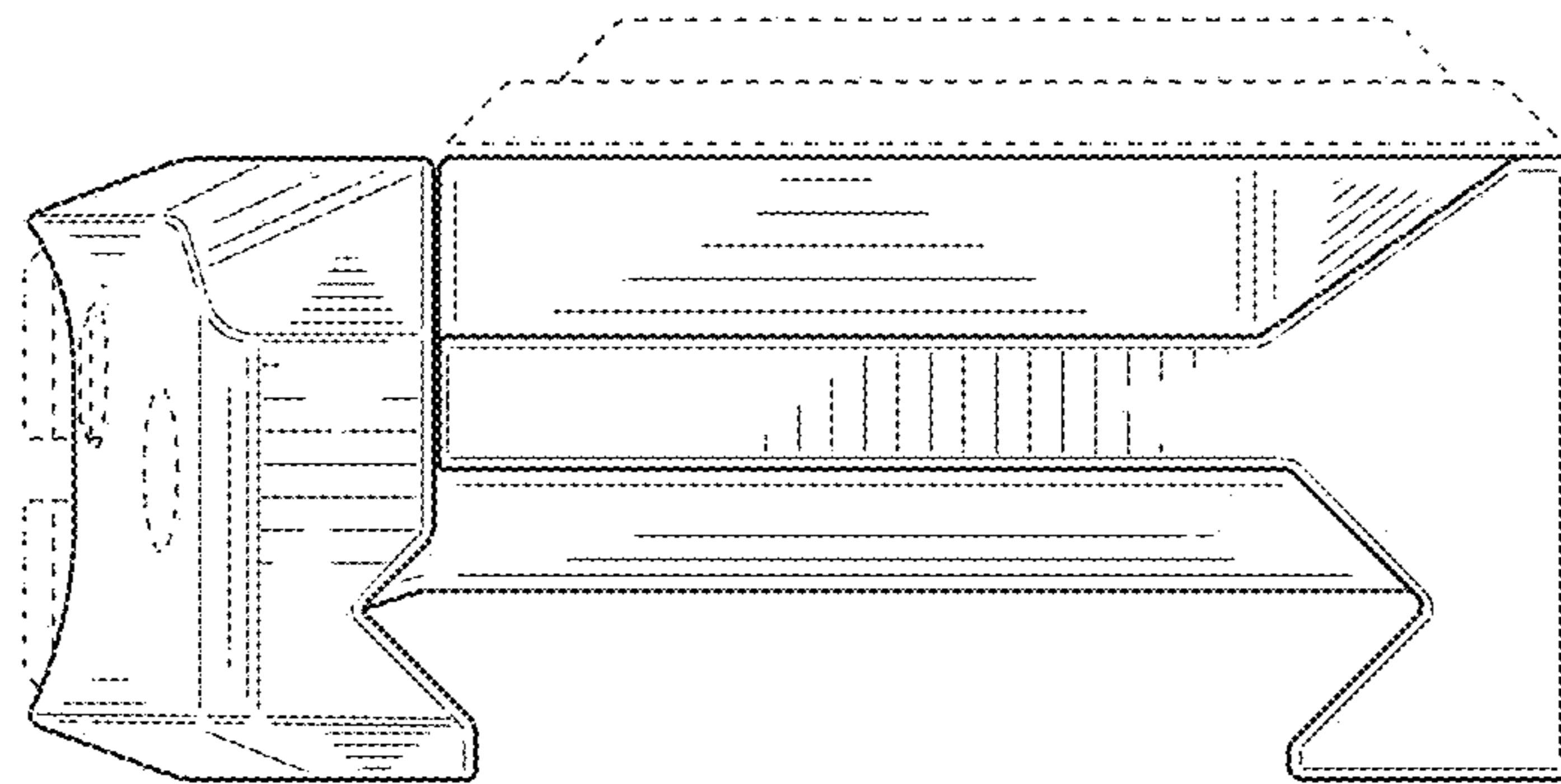


FIG. 3

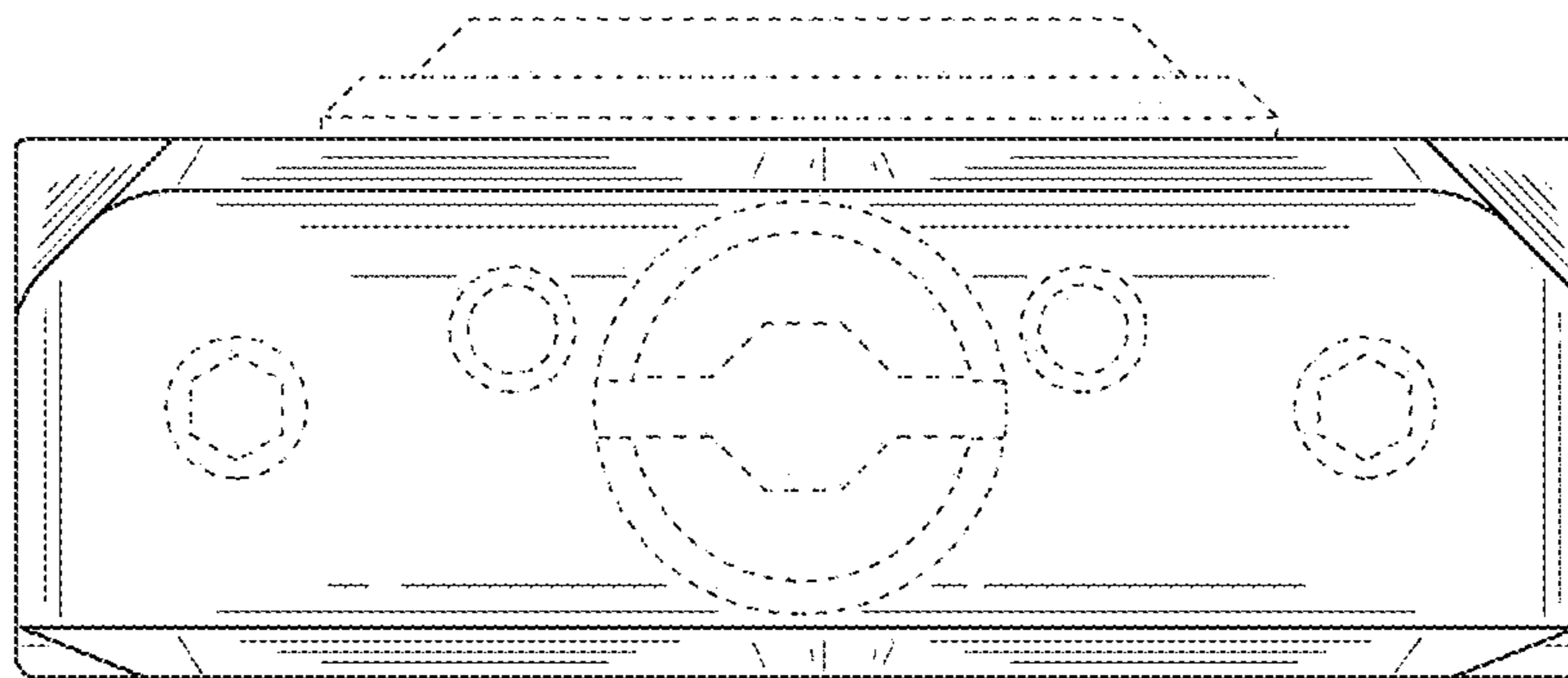


FIG. 4



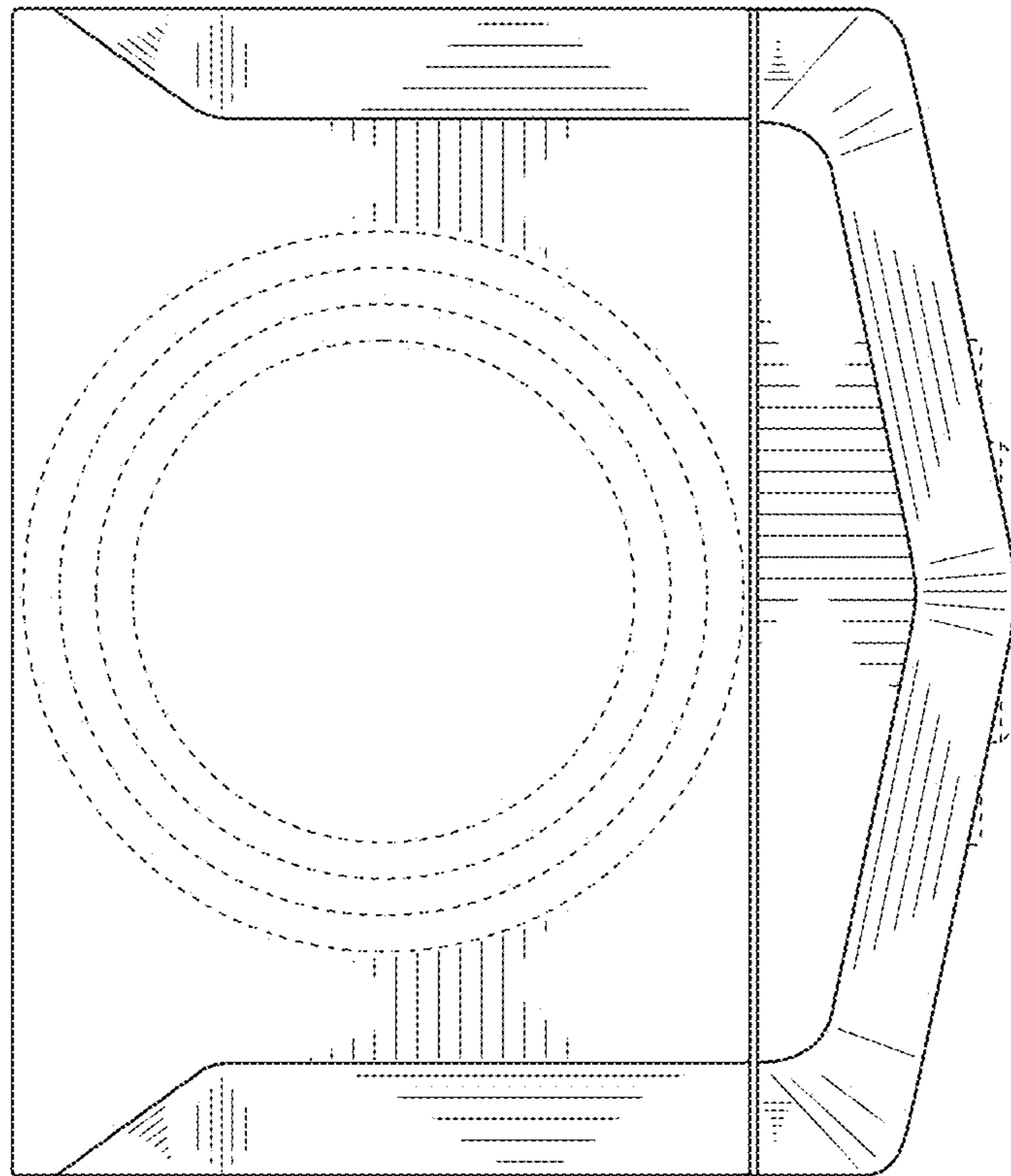


FIG. 5

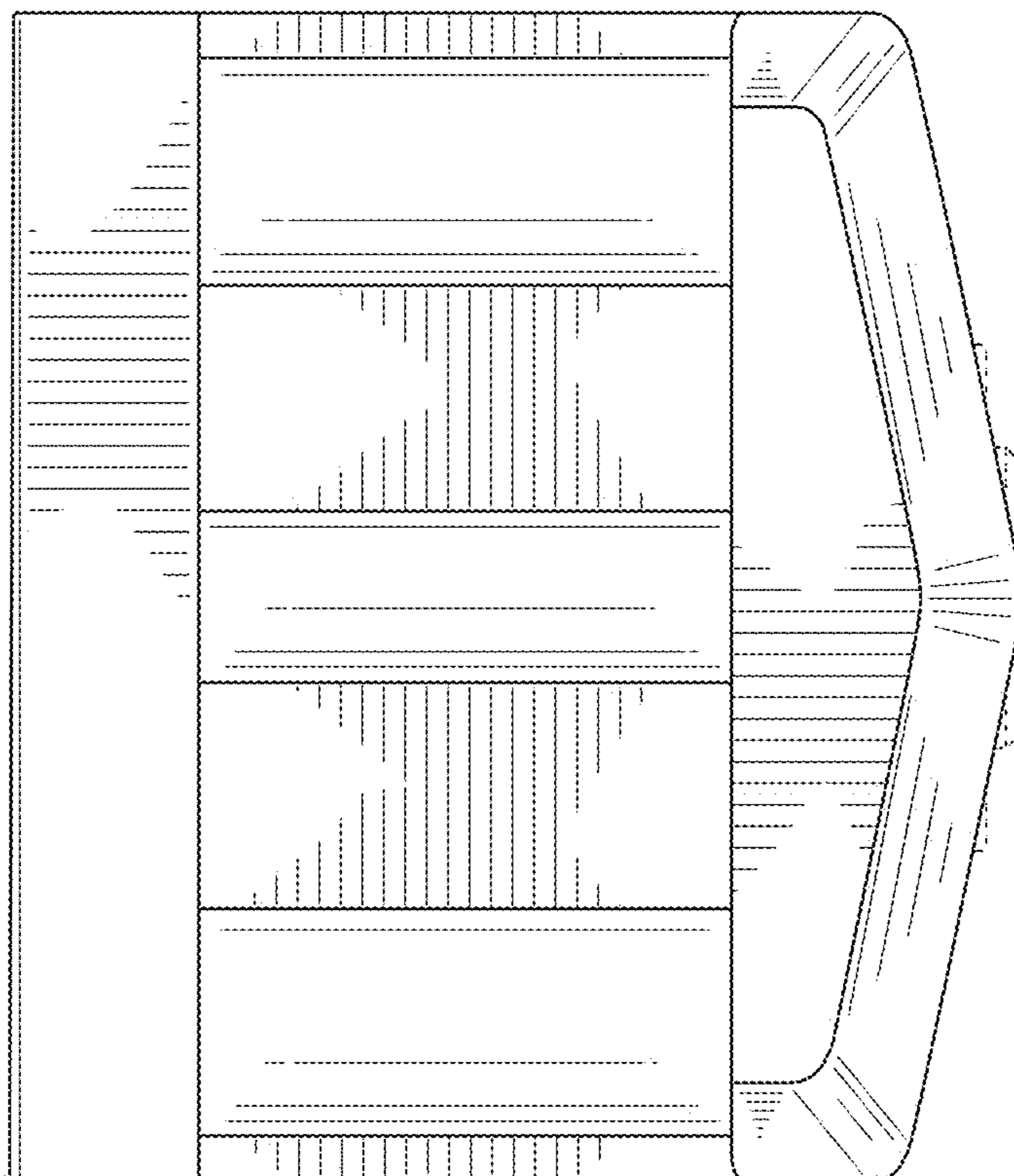


FIG. 6