



US00D930889S

(12) **United States Design Patent**
Liu

(10) **Patent No.:** **US D930,889 S**

(45) **Date of Patent:** **** Sep. 14, 2021**

(54) **SOLAR LAMP**

(71) Applicant: **Huiping Liu**, Zhuzhou (CN)

(72) Inventor: **Huiping Liu**, Zhuzhou (CN)

(**) Term: **15 Years**

(21) Appl. No.: **29/761,687**

(22) Filed: **Dec. 10, 2020**

(30) **Foreign Application Priority Data**

Dec. 8, 2020 (EM) 008311211

(51) **LOC (13) Cl.** **26-03**

(52) **U.S. Cl.**

USPC **D26/113**; D26/63; D26/68

(58) **Field of Classification Search**

USPC D26/3, 65, 67, 68, 113
CPC .. F21S 8/081; F21S 8/083; F21S 8/088; F21S
9/03; F21S 9/025; F21S 9/037; F21V
21/0824; F21W 2111/02; F21W 2111/023;
G09F 13/0404; G09F 2013/0431

See application file for complete search history.

(56) **References Cited**

U.S. PATENT DOCUMENTS

5,211,470 A * 5/1993 Frost F21S 9/037
362/183
D839,472 S * 1/2019 Hu D26/63

D851,799 S 6/2019 Liu
D852,398 S * 6/2019 Liu D26/63
D875,289 S * 2/2020 Hu D26/63
D884,246 S 5/2020 Tang et al.
D887,059 S * 6/2020 Liu D26/63
D903,921 S * 12/2020 Zhuo D26/63
D905,312 S * 12/2020 Zhuo D26/63
D914,942 S * 3/2021 Li D26/63

* cited by examiner

Primary Examiner — Brian N. Vinson

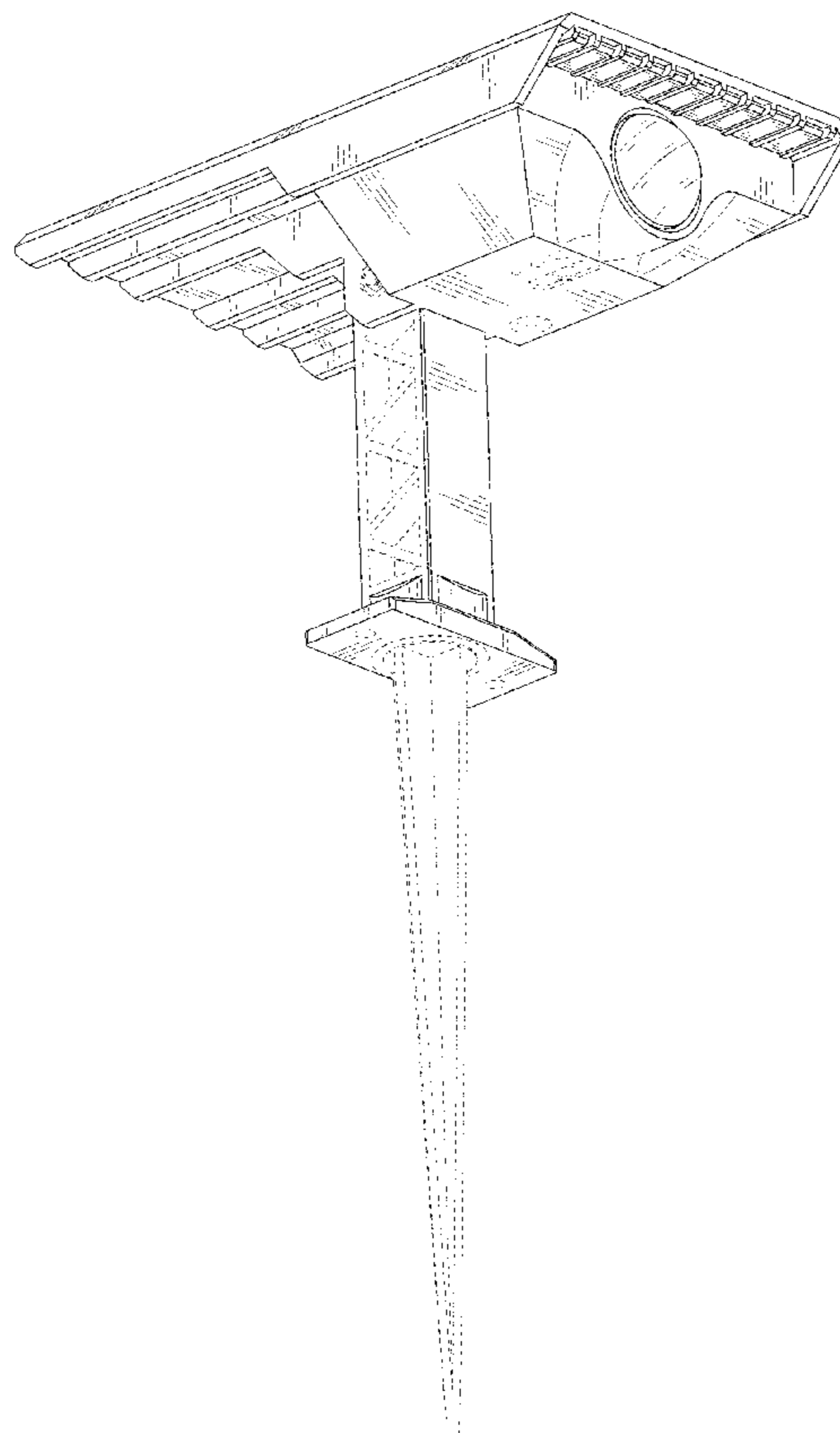
(57) **CLAIM**

The ornamental design for a solar lamp, as shown and described.

DESCRIPTION

FIG. 1 is a perspective view of a solar lamp showing my new design;
FIG. 2 is another perspective view thereof;
FIG. 3 is a front elevational view thereof;
FIG. 4 is a rear elevational view thereof;
FIG. 5 is a left side elevational view thereof;
FIG. 6 is a right side elevational view thereof;
FIG. 7 is a top plan view thereof; and,
FIG. 8 is a bottom plan view thereof.
The broken lines in the drawings depict portions of the solar lamp that form no part of the claimed design.

1 Claim, 8 Drawing Sheets



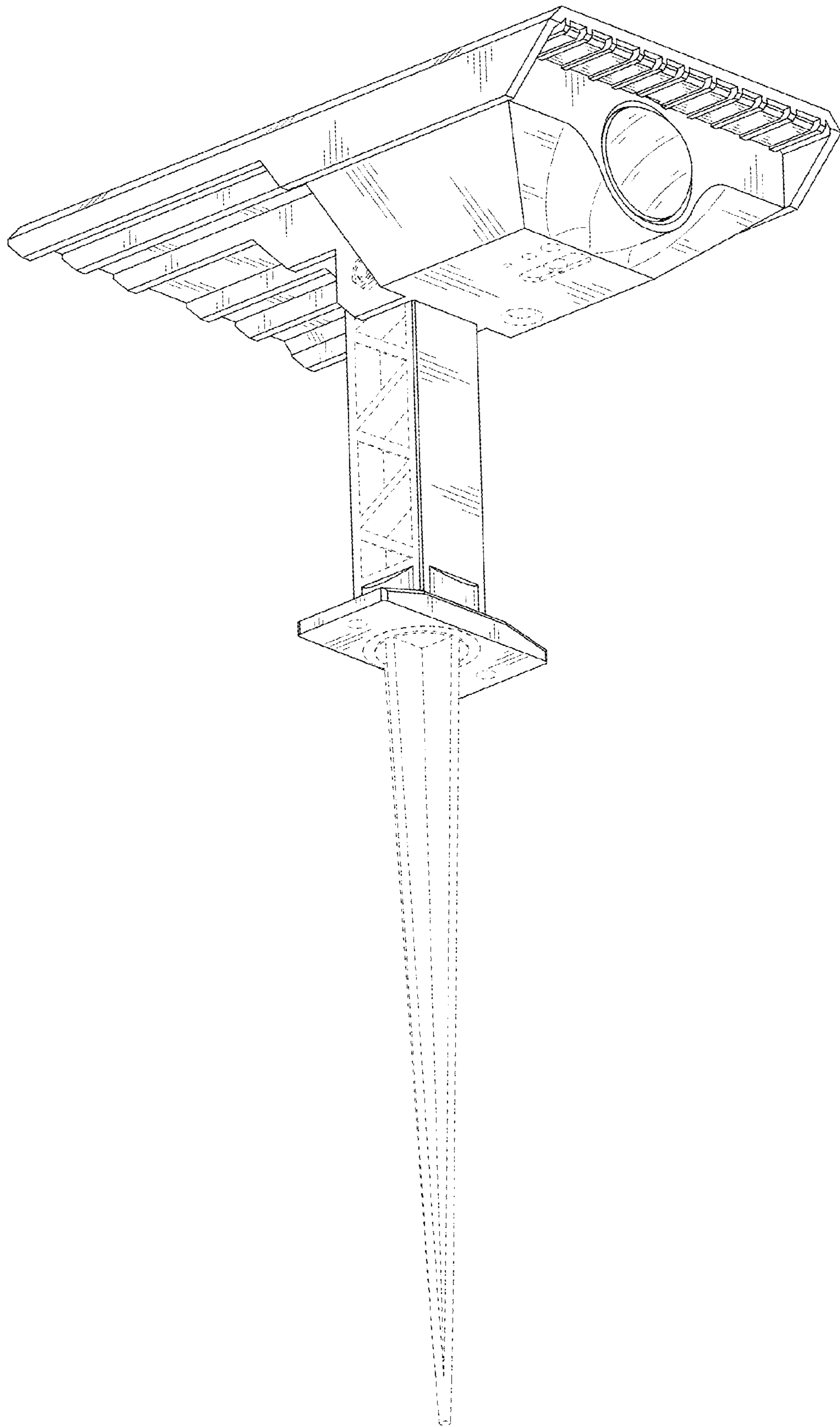


FIG. 1

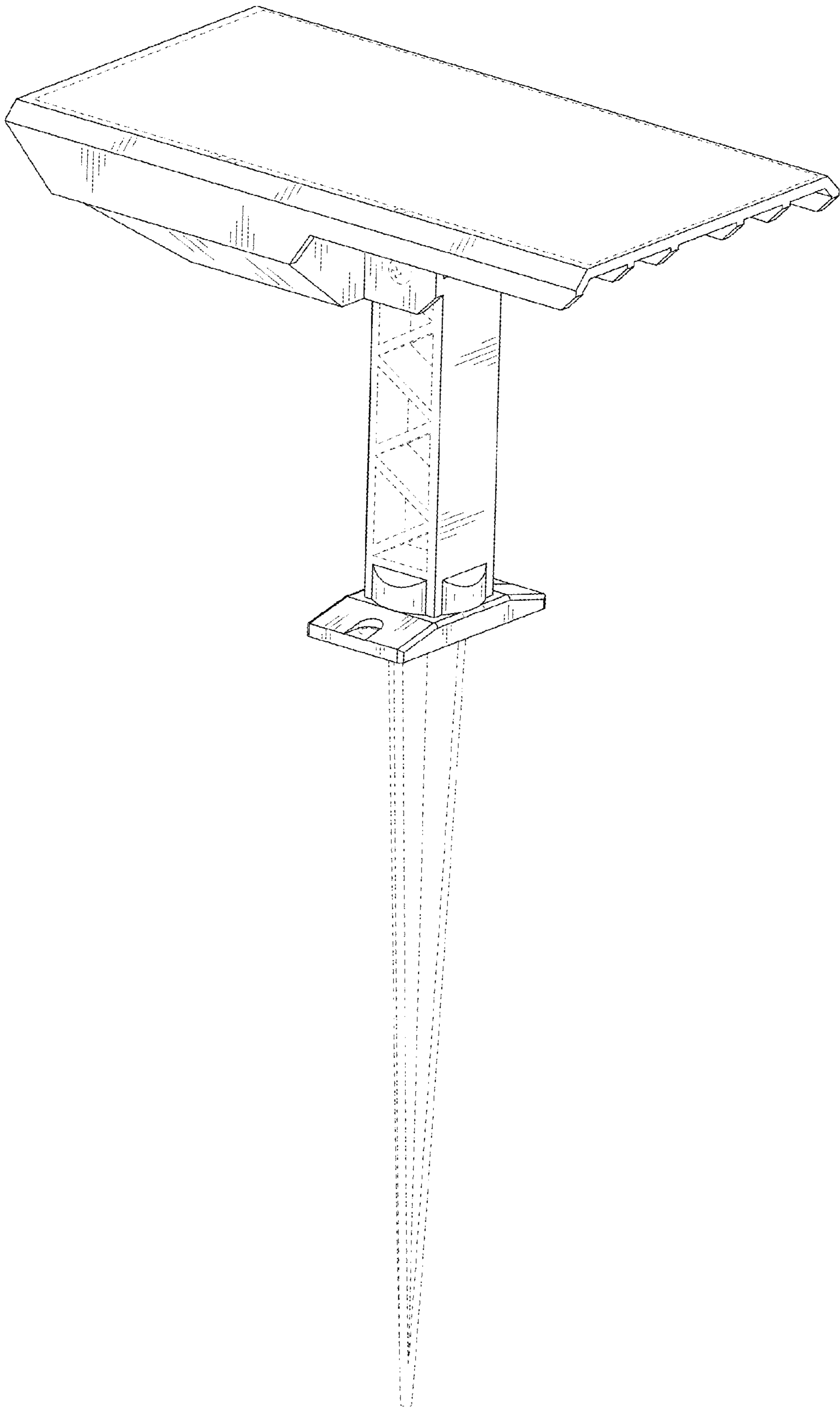


FIG. 2

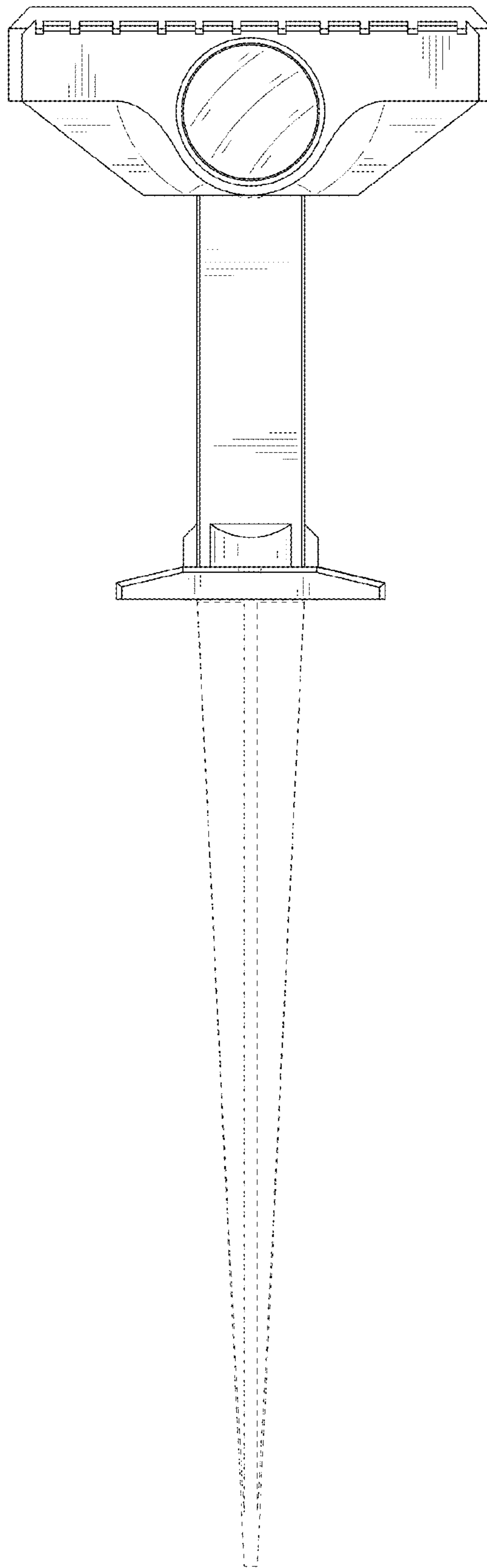


FIG. 3

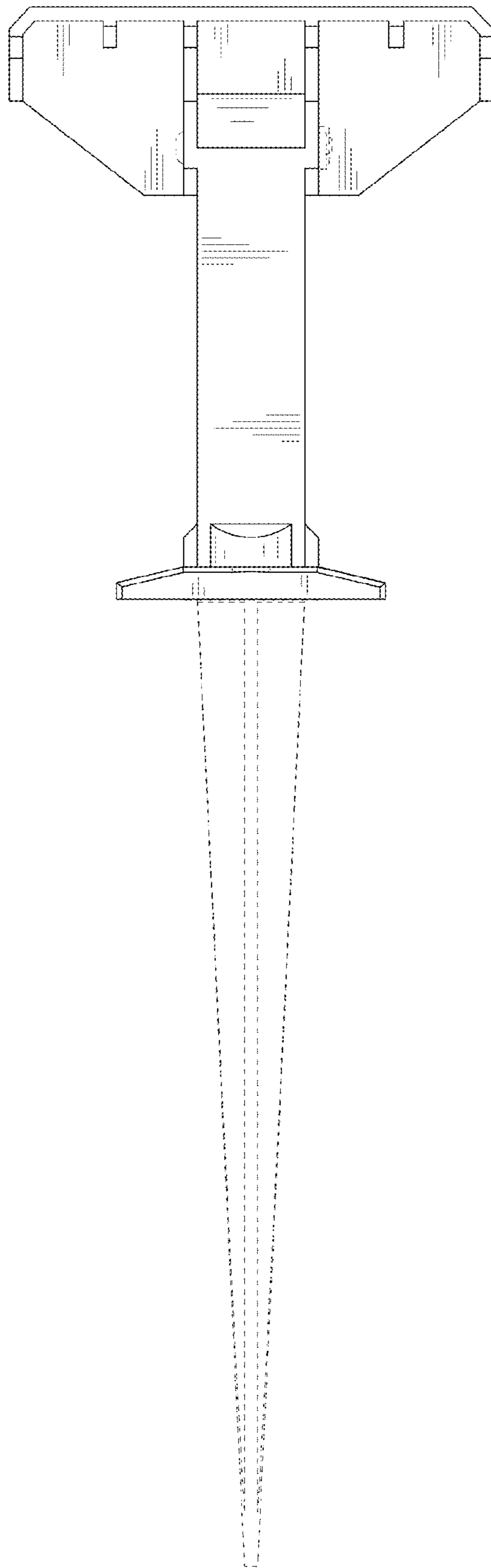


FIG. 4

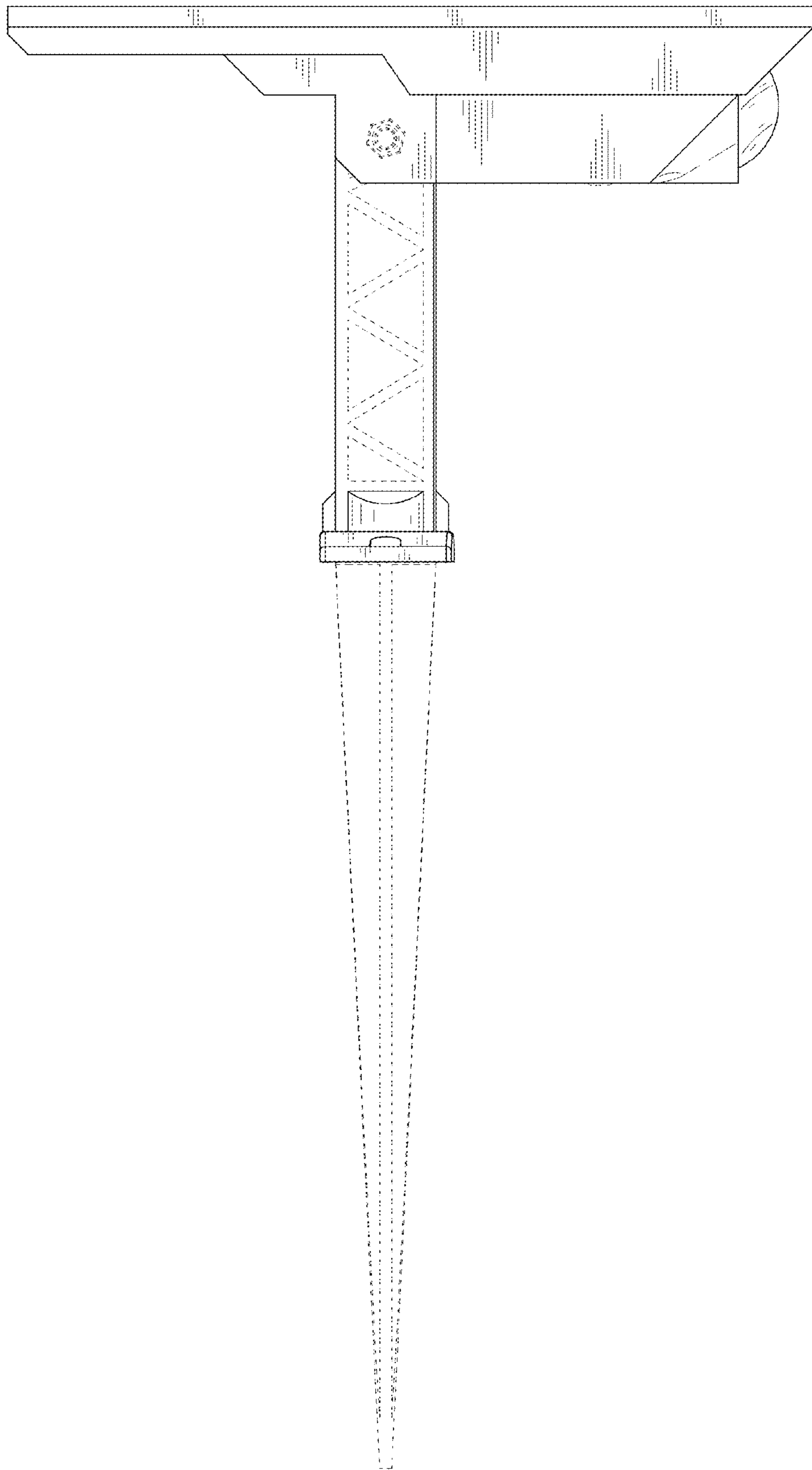


FIG. 5

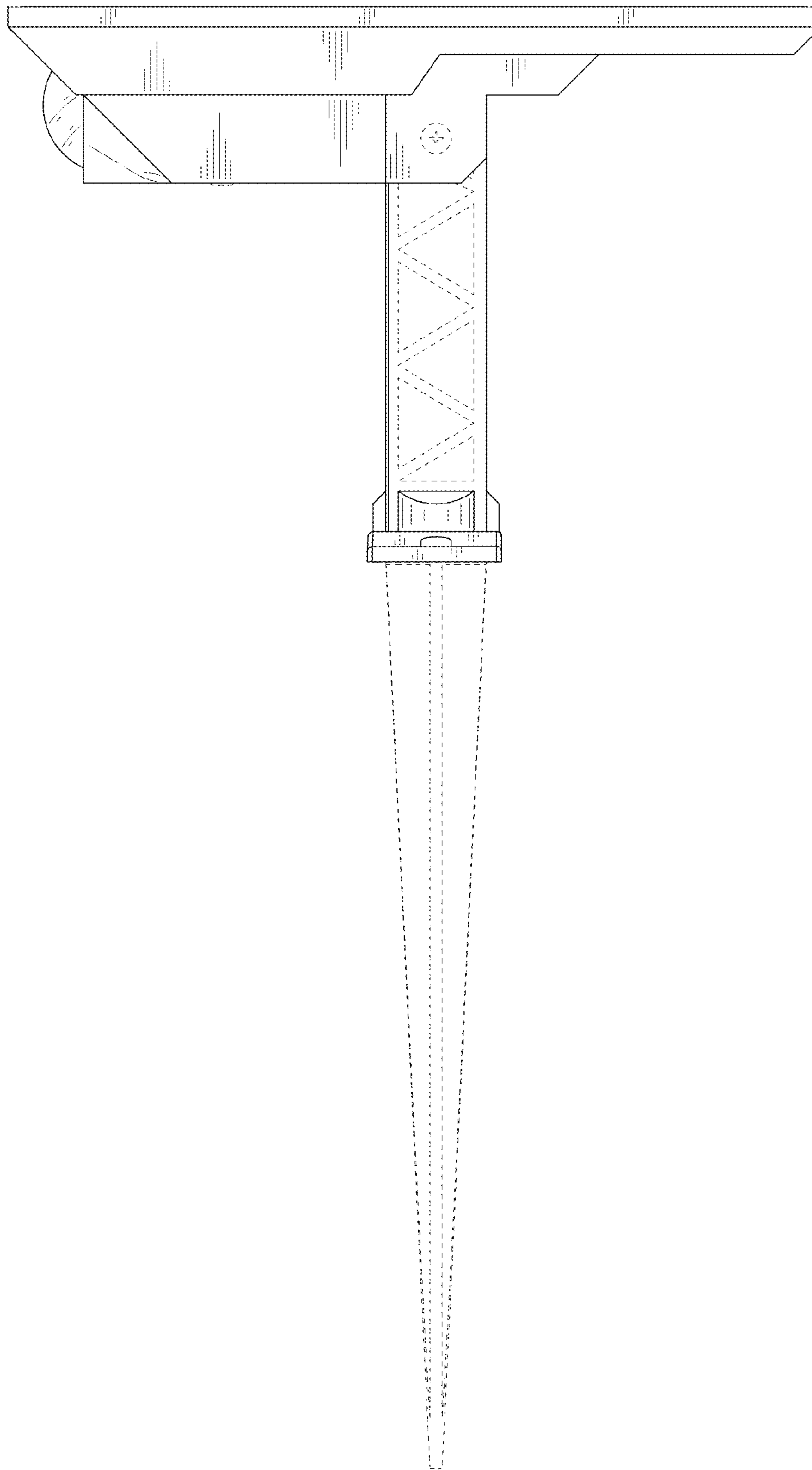


FIG. 6

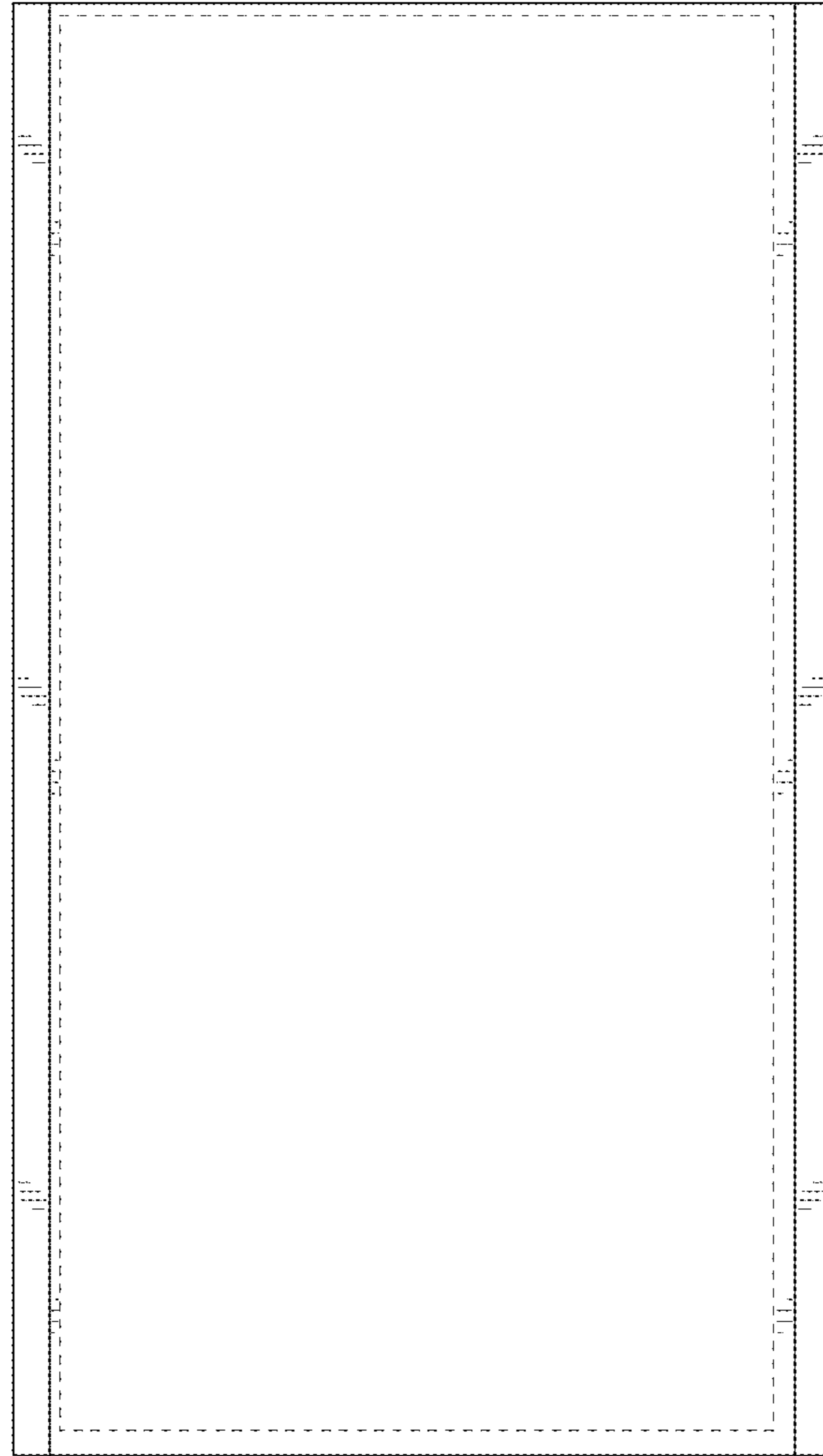


FIG. 7

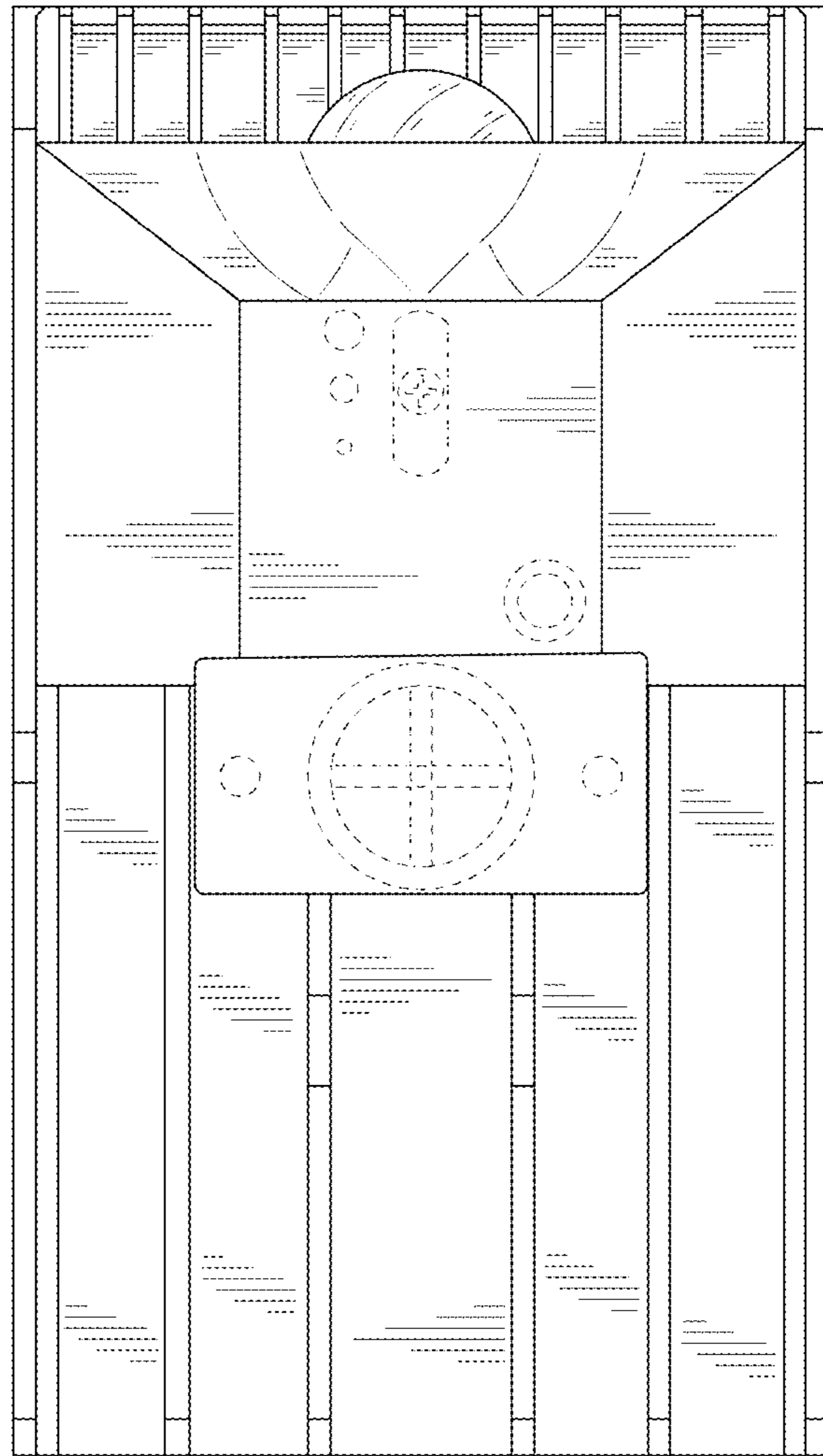


FIG. 8