



US00D930887S

(12) **United States Design Patent** (10) **Patent No.:** **US D930,887 S**
Xie (45) **Date of Patent:** **** Sep. 14, 2021**

(54) **TABLE LAMP**

(71) Applicant: **Mingyan Xie**, Huaiji (CN)

(72) Inventor: **Mingyan Xie**, Huaiji (CN)

(**) Term: **15 Years**

(21) Appl. No.: **29/769,990**

(22) Filed: **Feb. 9, 2021**

(51) **LOC (13) Cl.** **26-05**

(52) **U.S. Cl.**
USPC **D26/107**

(58) **Field of Classification Search**
USPC D26/1, 24, 25, 37, 40-45, 48-50, 60, 61,
D26/63, 93, 106, 107, 108, 113, 119
CPC F21S 4/00; F21S 4/15; F21S 2/00; F21V
21/08
See application file for complete search history.

(56) **References Cited**

U.S. PATENT DOCUMENTS

D217,495 S *	5/1970	Levy	D26/57
D274,476 S *	6/1984	Caldwell	D26/110
D274,477 S *	6/1984	Caldwell	D26/110
D302,333 S *	7/1989	Mason	D26/110
D390,984 S *	2/1998	Long	D26/41
D520,168 S *	5/2006	Hodgson	
D555,266 S *	11/2007	Claassen	D26/40

D590,092 S	4/2009	Starck	
D595,008 S	6/2009	Starck	
D617,481 S *	6/2010	Leung	D26/41
D653,795 S *	2/2012	Guercio	D26/89
D654,210 S *	2/2012	Bushre	D26/113
D767,195 S *	9/2016	Pollack, Jr.	D26/89
D853,614 S *	7/2019	Lan	D26/63
D880,040 S *	3/2020	Pan	D26/72
D883,560 S *	5/2020	Cooper	D26/119

* cited by examiner

Primary Examiner — Mark A Goodwin
Assistant Examiner — Benjamin M Weeks

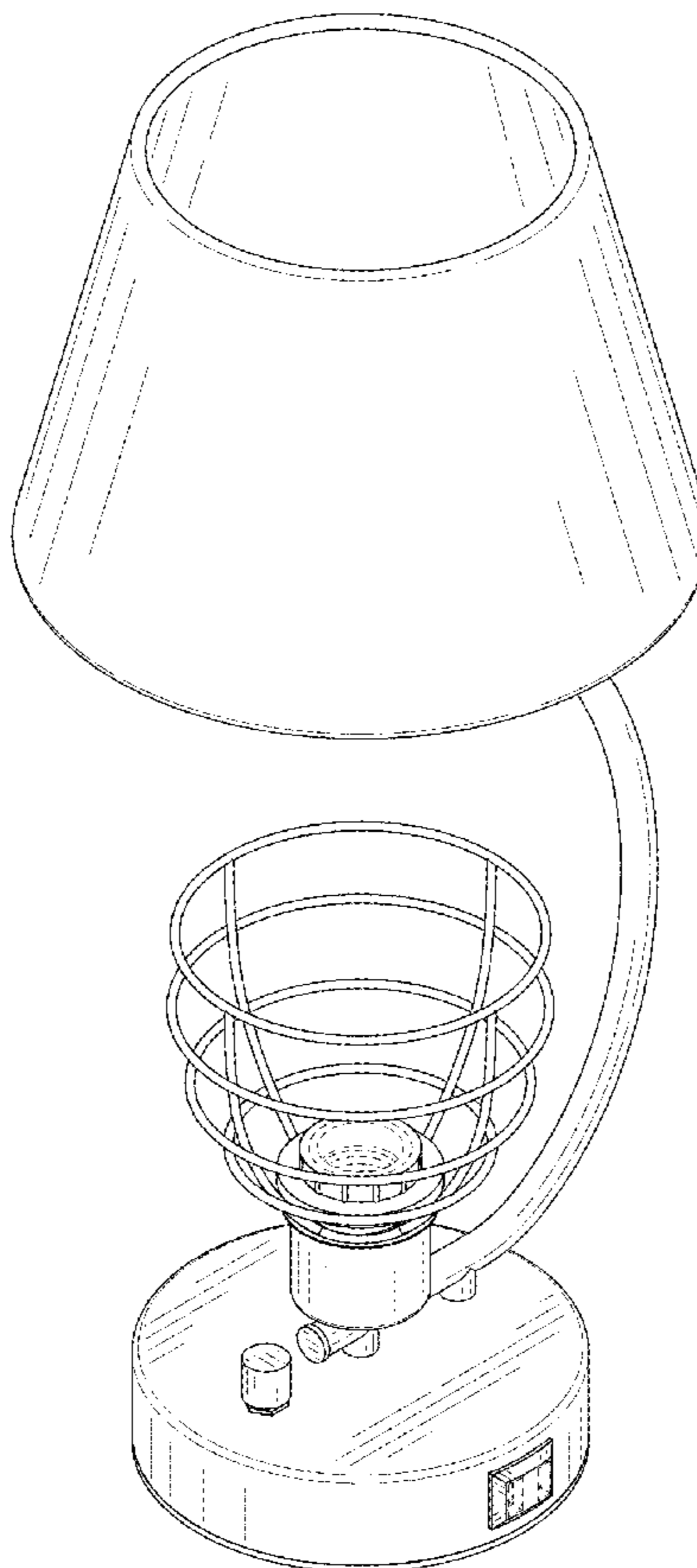
(57) **CLAIM**

The ornamental design for a table lamp, as shown and described.

DESCRIPTION

FIG. 1 is a first perspective view of a table lamp showing my new design;
FIG. 2 is a second perspective view thereof;
FIG. 3 is a front view thereof;
FIG. 4 is a back view thereof;
FIG. 5 is a left side view thereof;
FIG. 6 is a right side view thereof;
FIG. 7 is a top view thereof; and,
FIG. 8 is a bottom view thereof.
The broken lines shown in the drawings depict portions of the table lamp in which the design is embodied that form no part of the claimed design.

1 Claim, 8 Drawing Sheets



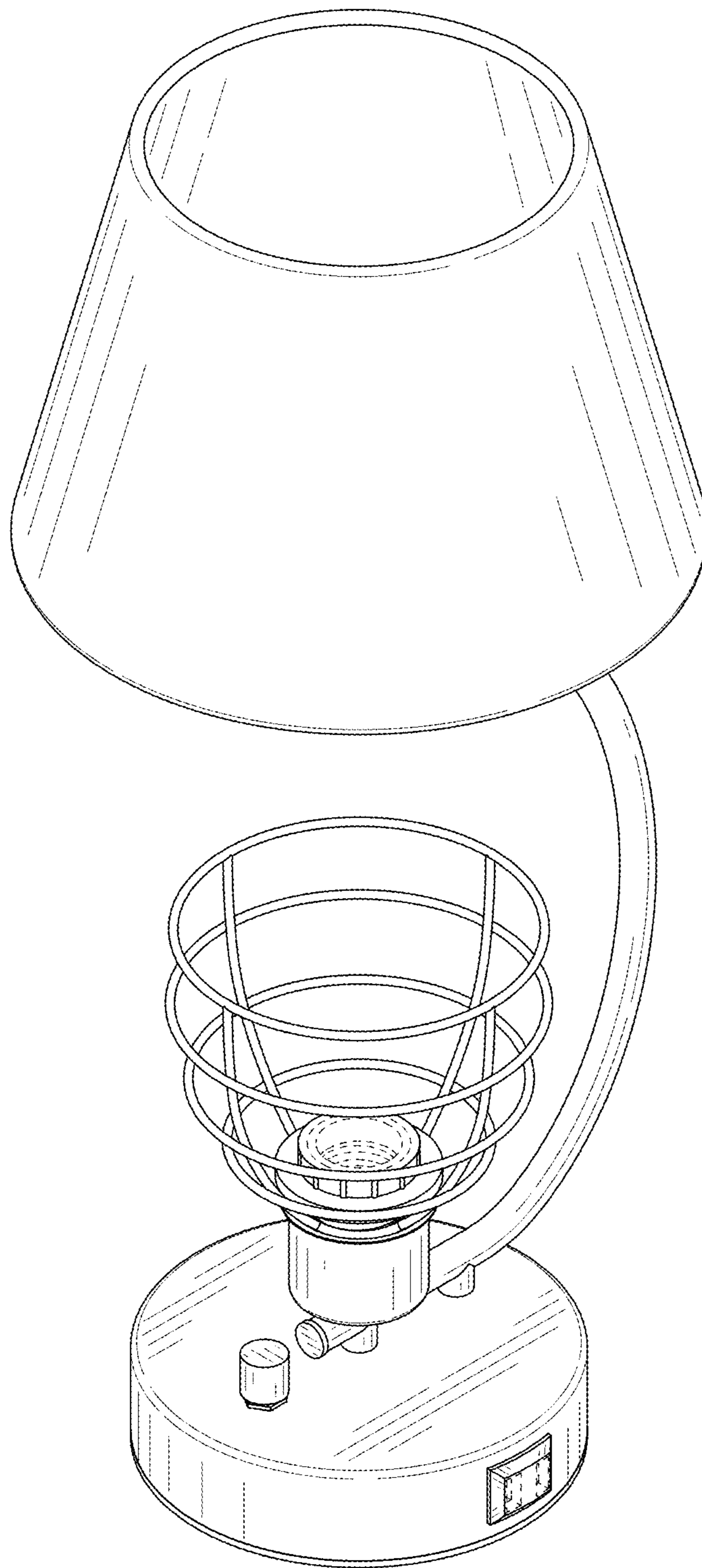


FIG. 1

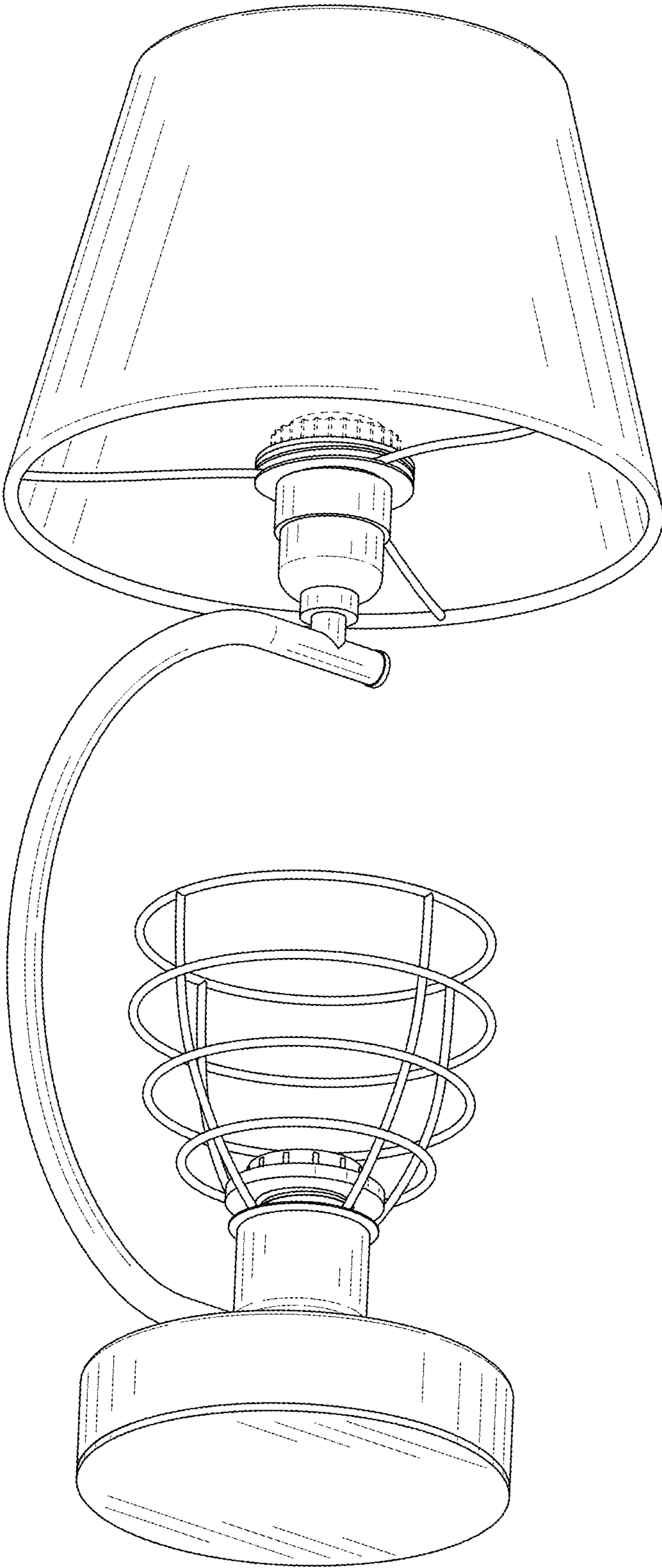


FIG. 2

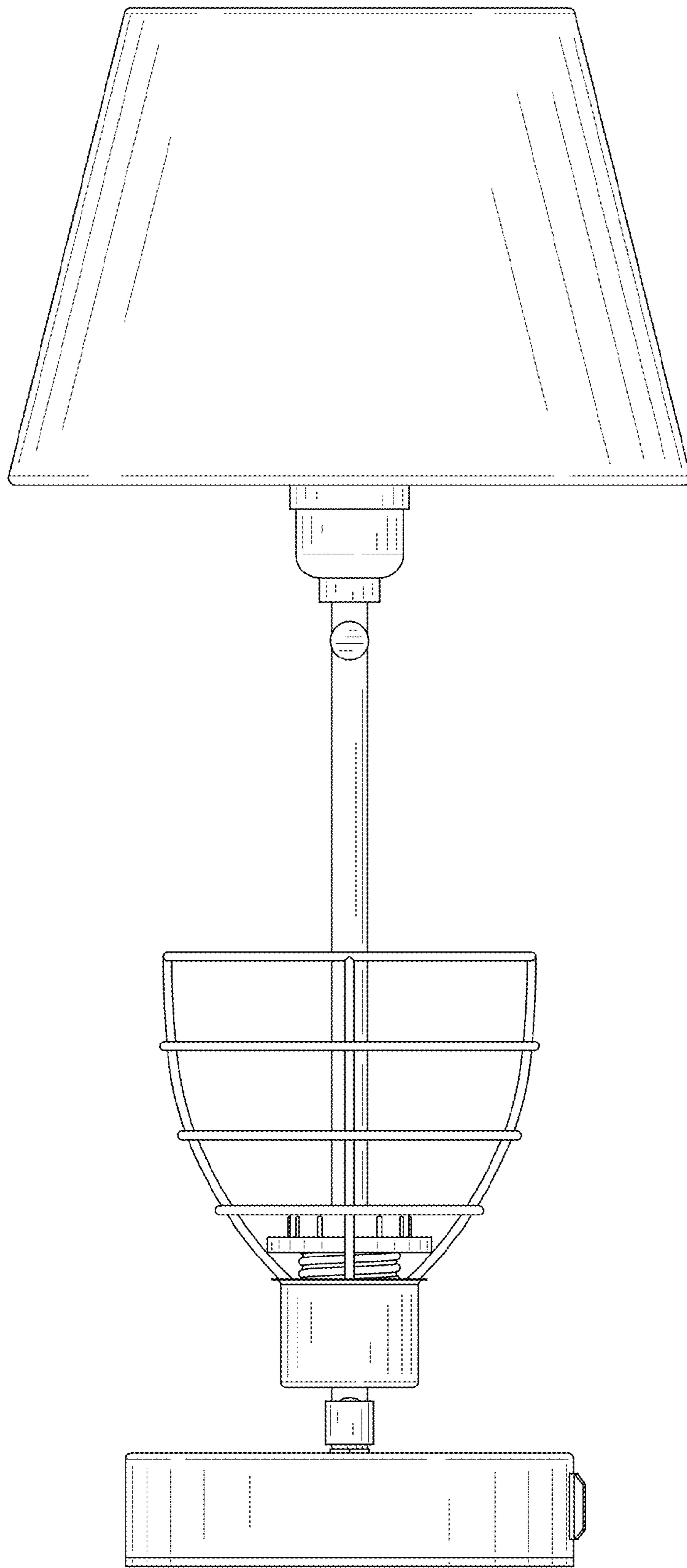


FIG. 3

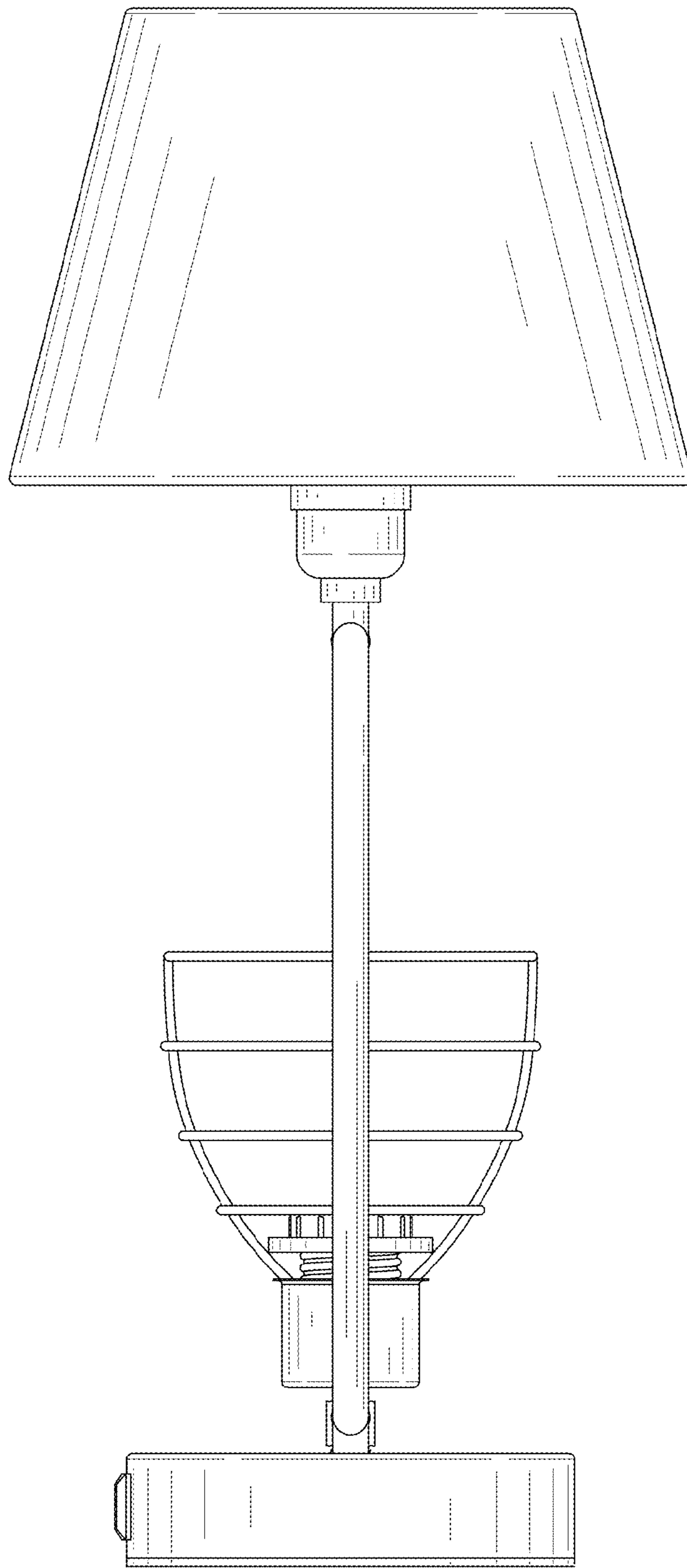


FIG. 4

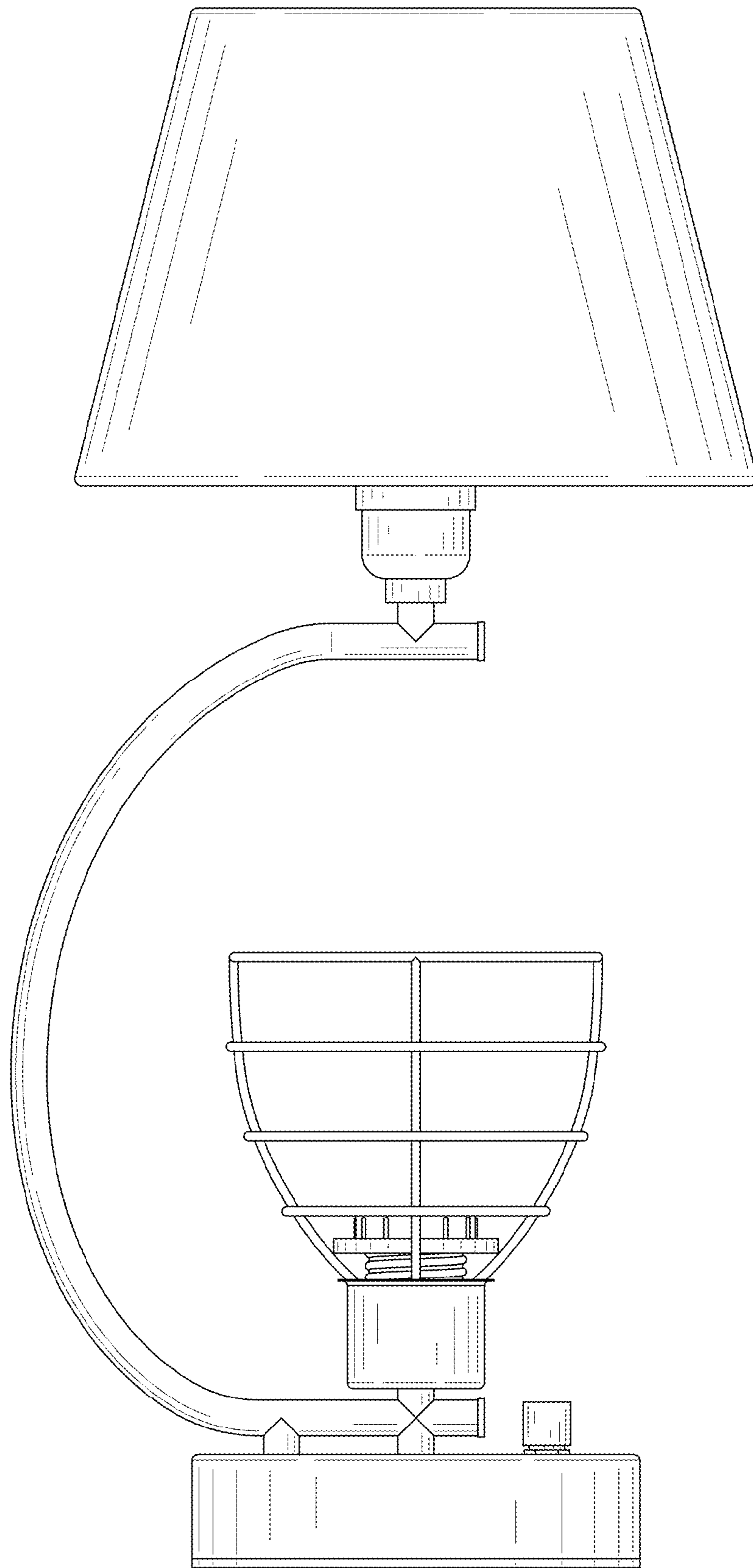


FIG. 5

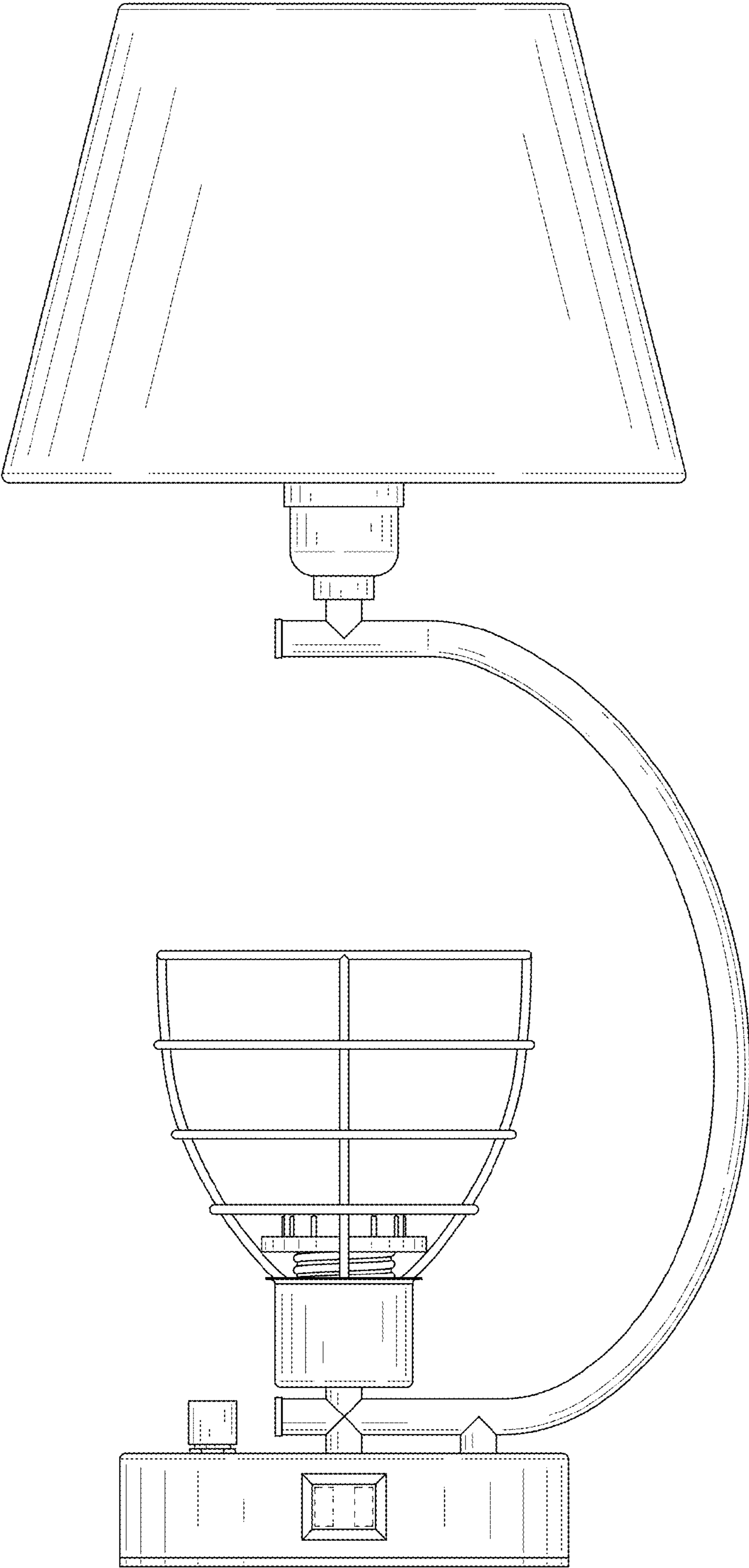


FIG. 6

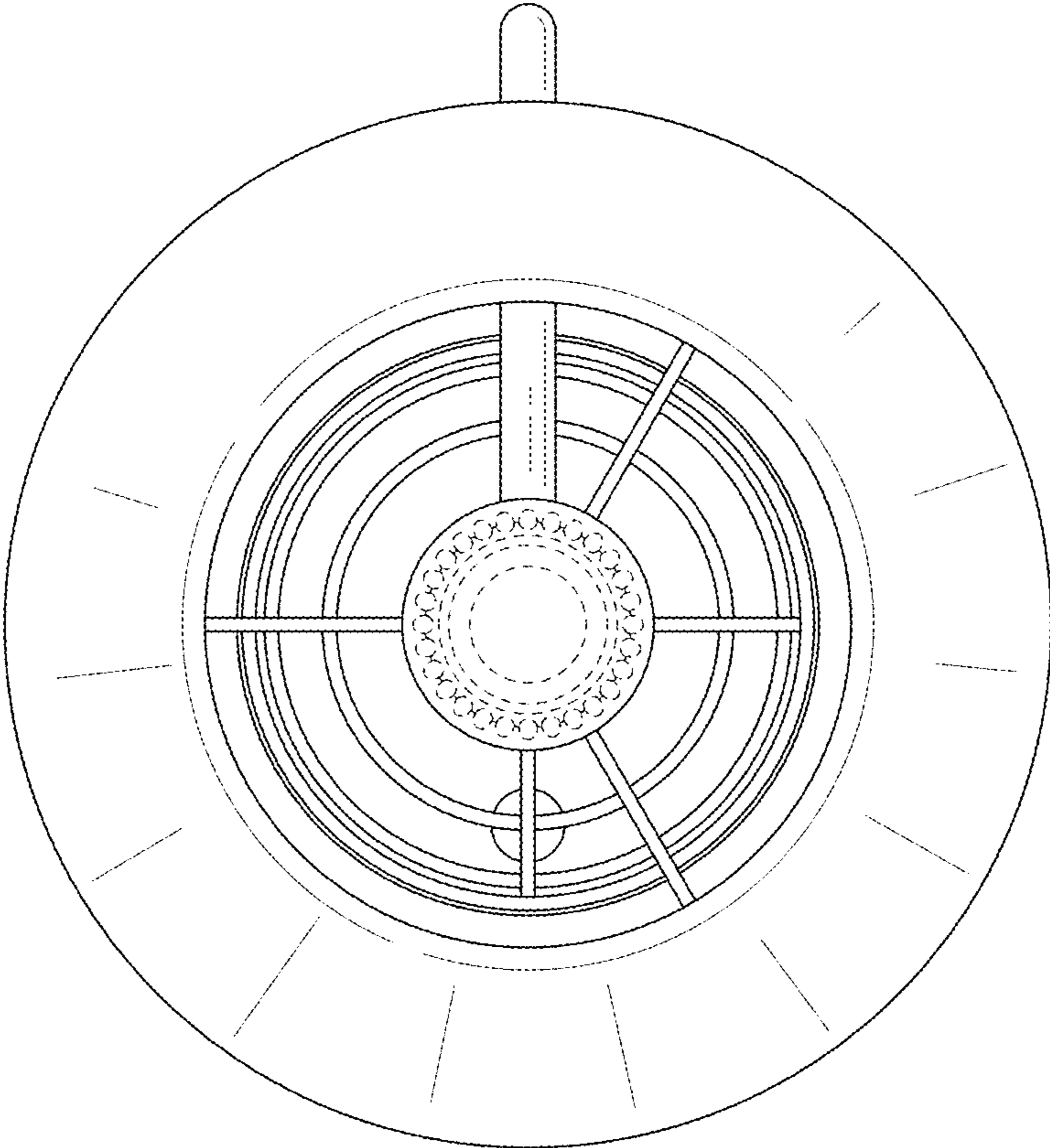


FIG. 7

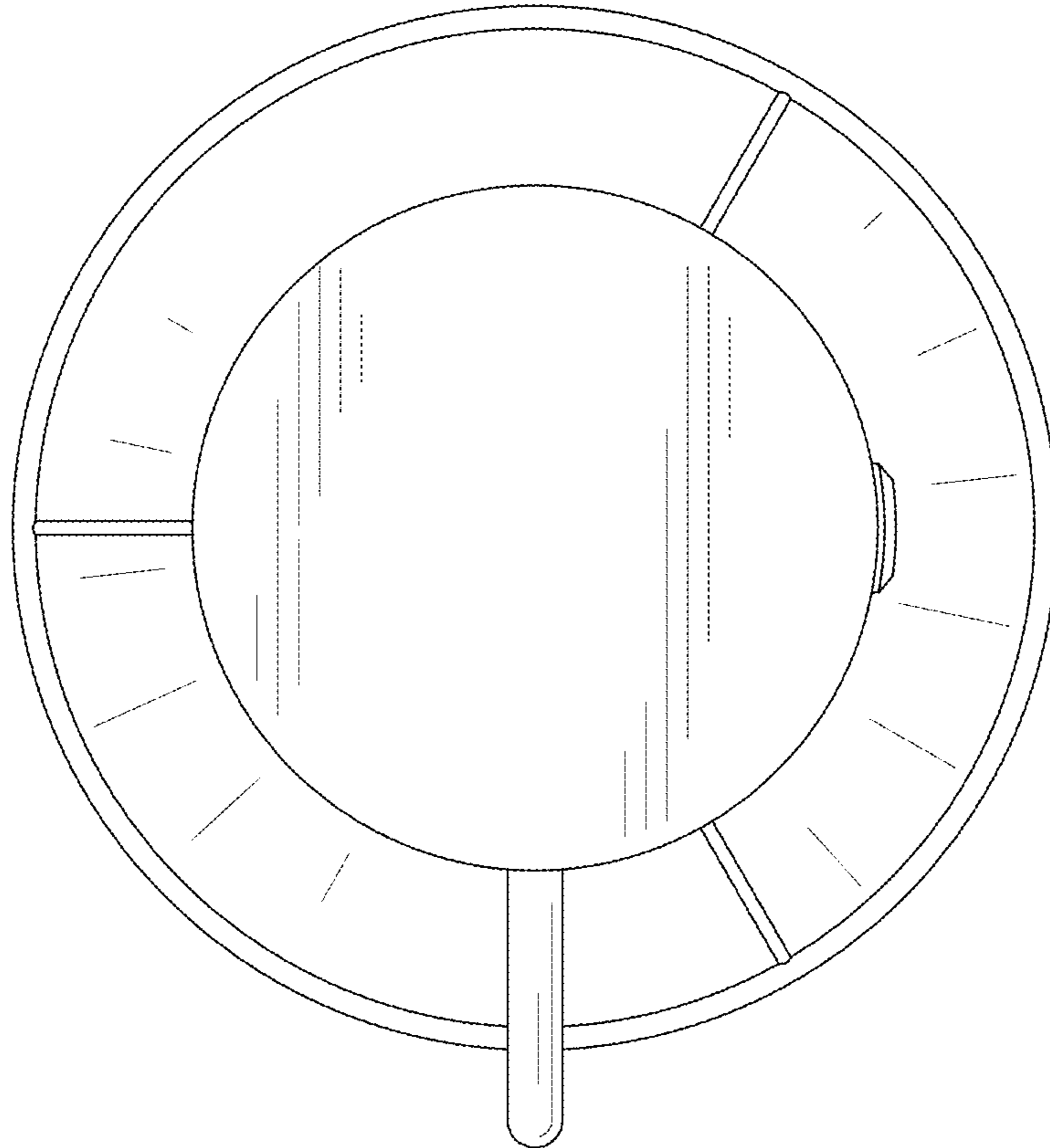


FIG. 8