



US00D930885S

(12) **United States Design Patent**  
**Cao**

(10) **Patent No.:** **US D930,885 S**

(45) **Date of Patent:** **\*\* Sep. 14, 2021**

(54) **LIGHT**

(71) Applicant: **Zejun Cao**, Shenzhen (CN)

(72) Inventor: **Zejun Cao**, Shenzhen (CN)

(\*\*) Term: **15 Years**

(21) Appl. No.: **29/769,784**

(22) Filed: **Feb. 8, 2021**

(51) **LOC (13) Cl.** ..... **26-03**

(52) **U.S. Cl.**  
USPC ..... **D26/87; D26/86**

(58) **Field of Classification Search**  
USPC ..... D26/72, 80, 85-87, 89, 118  
CPC .. F21S 8/033; F21S 8/035; F21S 8/036; F21S  
8/046  
See application file for complete search history.

(56) **References Cited**

**U.S. PATENT DOCUMENTS**

D122,864 S	*	10/1940	Dreyfuss	.....	D26/75
D373,002 S	*	8/1996	Porter	.....	D26/144
D573,299 S	*	7/2008	Fanning	.....	D26/153
D619,291 S	*	7/2010	Thevenot	.....	D26/75
D671,255 S	*	11/2012	Sonneman	.....	D26/85
D671,670 S	*	11/2012	Sonneman	.....	D26/90
D674,528 S	*	1/2013	Paz	.....	D26/72
D674,951 S	*	1/2013	Sonneman	.....	D26/80
D826,461 S	*	8/2018	Sonneman	.....	D26/90
D855,870 S	*	8/2019	Schwartz	.....	D26/89
D905,322 S		12/2020	Yu		
D906,574 S		12/2020	Jiang		
D907,275 S		1/2021	Chen		
D907,276 S		1/2021	Jiang		
D907,277 S		1/2021	Jiang		
D908,274 S		1/2021	Wang		
D908,945 S		1/2021	Zheng		
D909,657 S		2/2021	Jiang		

D909,658 S		2/2021	Jiang		
D909,660 S		2/2021	Ji		
D917,770 S	*	4/2021	Yuan	.....	D26/90
D925,108 S	*	7/2021	Yuan	.....	D26/118
2020/0263859 A1	*	8/2020	Kinsley	.....	F21V 19/0035

**OTHER PUBLICATIONS**

Artika—GRID LED Ceiling Light; ASIN: B08PCC7BDS available at amazon.com Nov. 30, 2020. (Year: 2020).\*

Mondrian Flush Mount 16 Lights By Dainolite Ltd. available at houzz.com as early as Dec. 22, 2018. (Year: 2018).\*

TULUCE 8 Light Modern Ceiling Light Vintage Metal Brushed Nickel Sputnik Chandelier ASIN: B07QBBQPW2 available at amazon.com May 6, 2019. (Year: 2019).\*

\* cited by examiner

*Primary Examiner* — Clare E Heflin

(74) *Attorney, Agent, or Firm* — Rumit Ranjit Kanakia

(57) **CLAIM**

The ornamental design for a light, as shown and described.

**DESCRIPTION**

FIG. 1 is a front elevational view of a light showing my new design;

FIG. 2 is a rear elevational view thereof; and

FIG. 3 is a left side elevational view thereof;

FIG. 4 is a right side elevational view thereof;

FIG. 5 is a top plan view thereof;

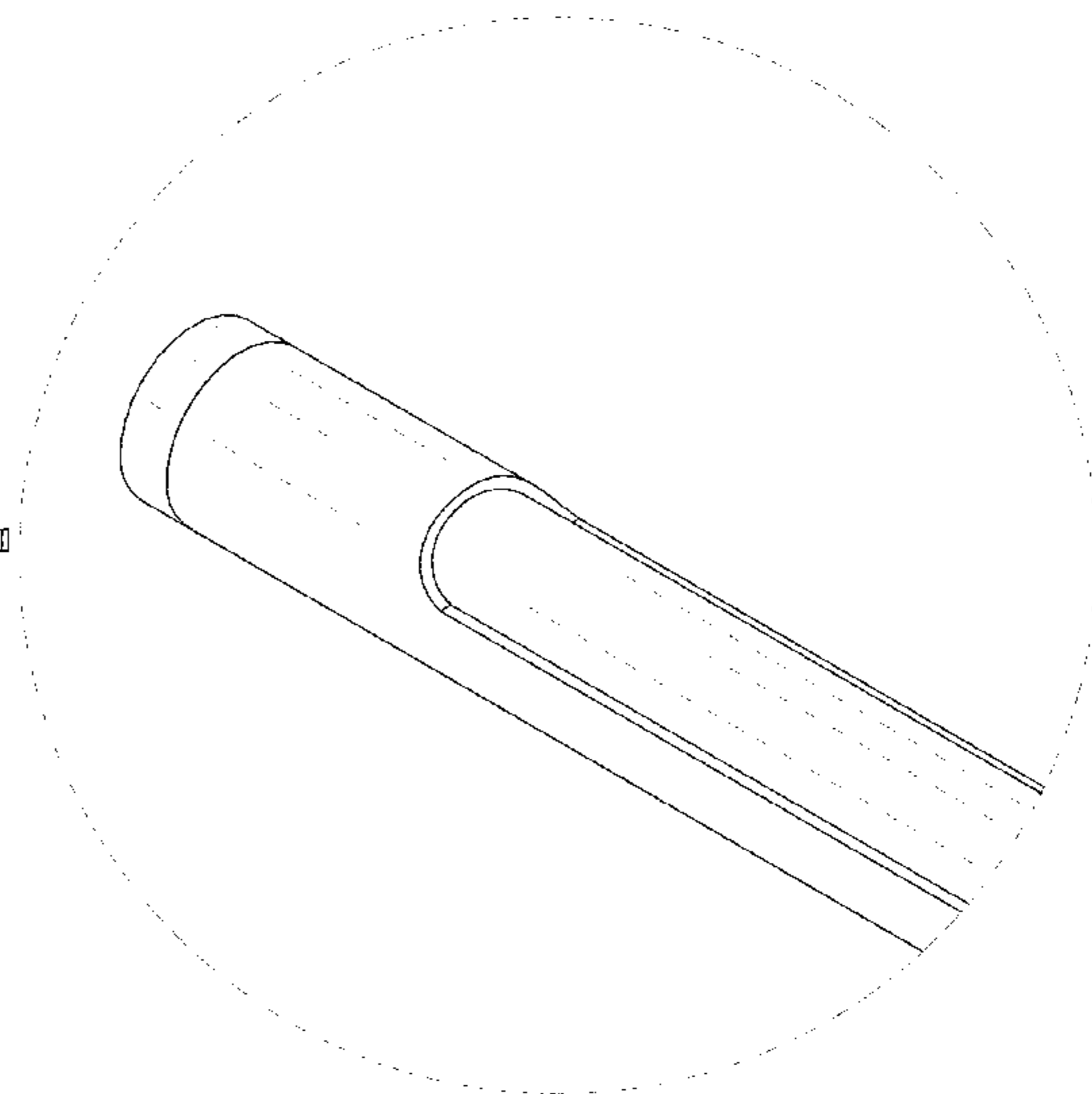
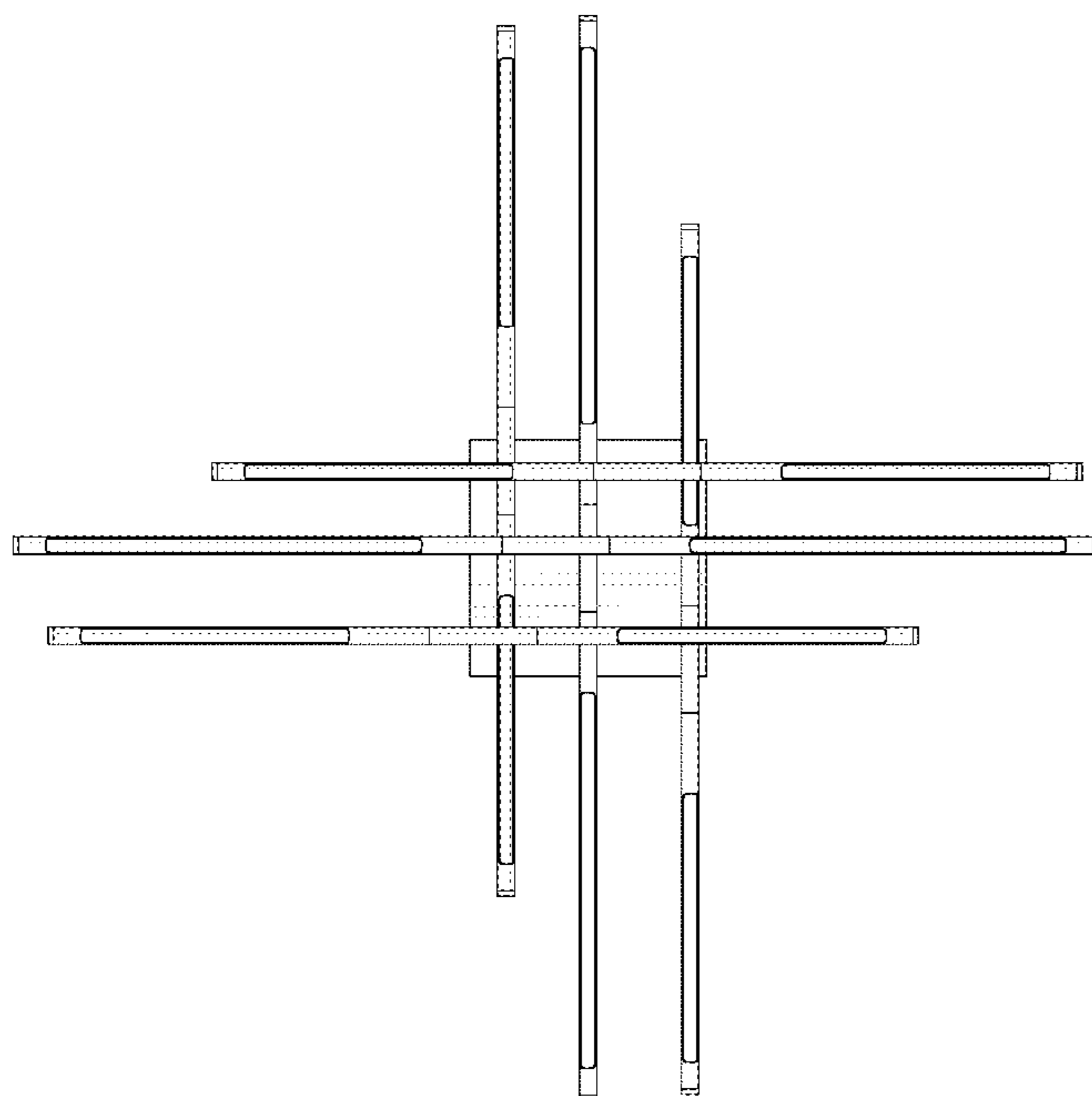
FIG. 6 is a bottom plan view thereof;

FIG. 7 is a perspective view of a light showing my new design; and,

FIG. 8 is a partial enlarged view of FIG. 7.

The broken lines in the figures are for the purposes of illustrating portions of the light, which form no part of the claimed design.

**1 Claim, 6 Drawing Sheets**



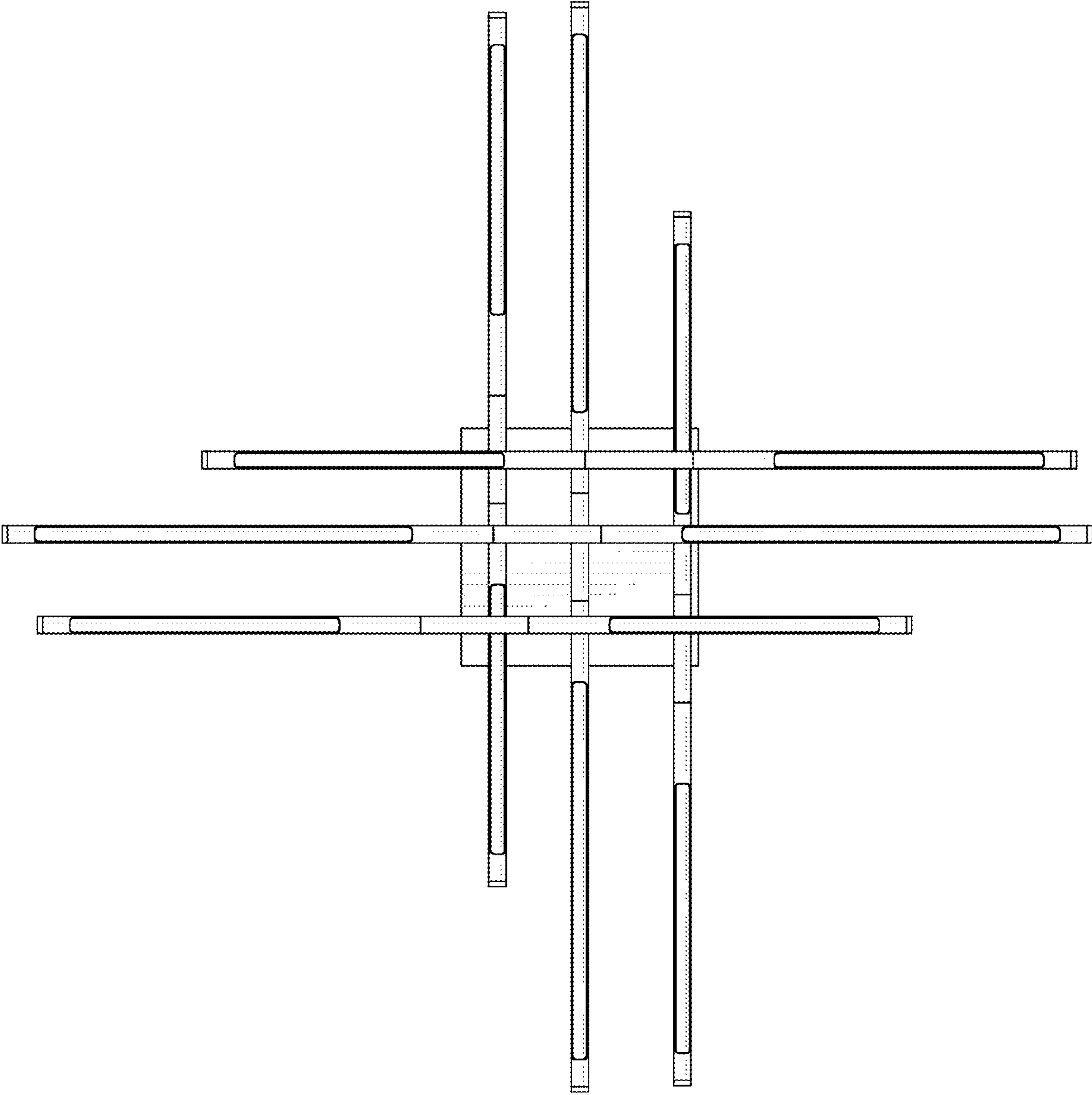
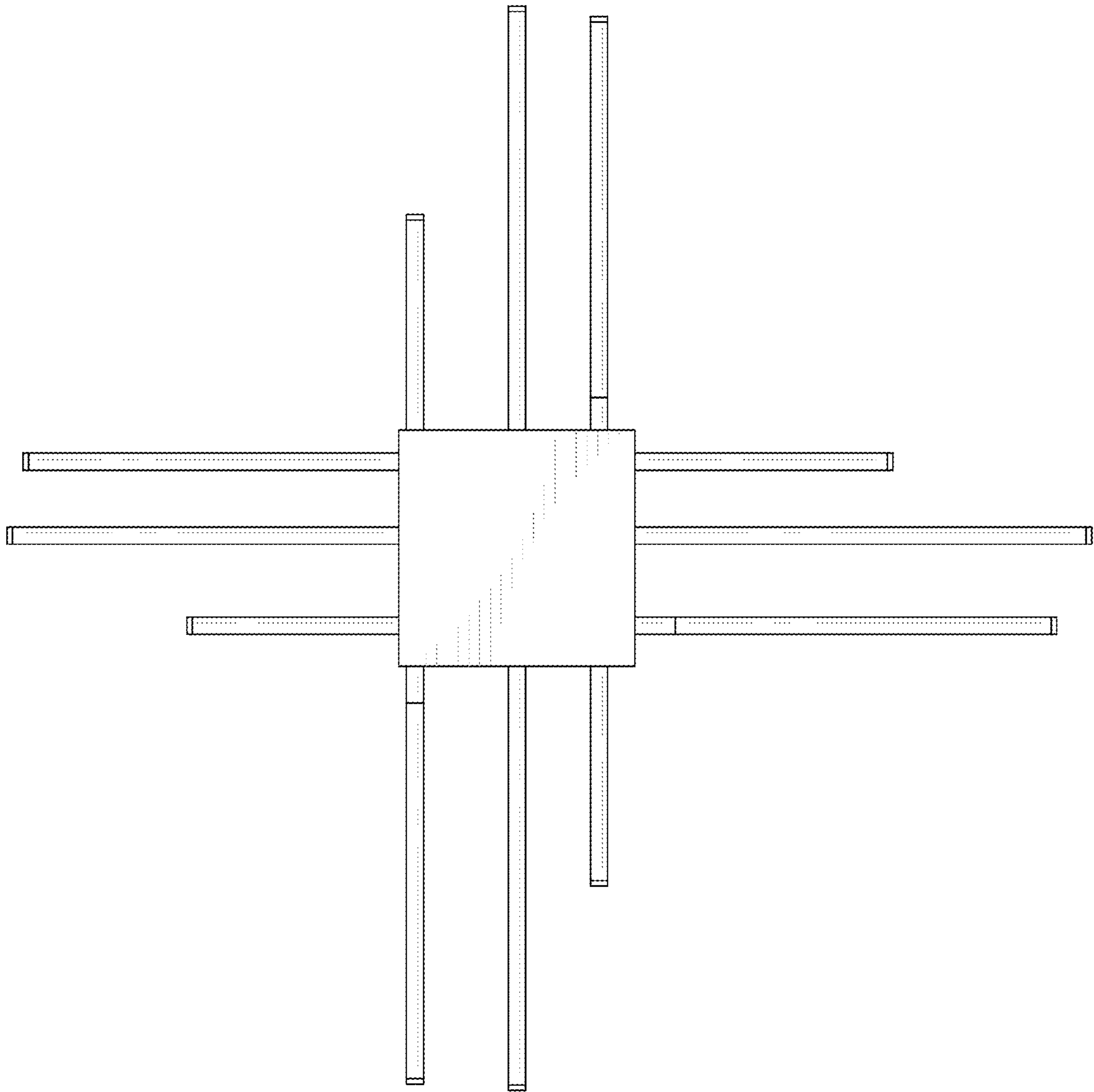
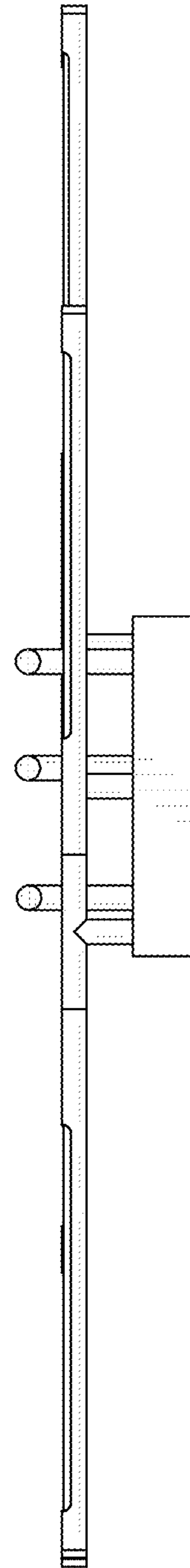
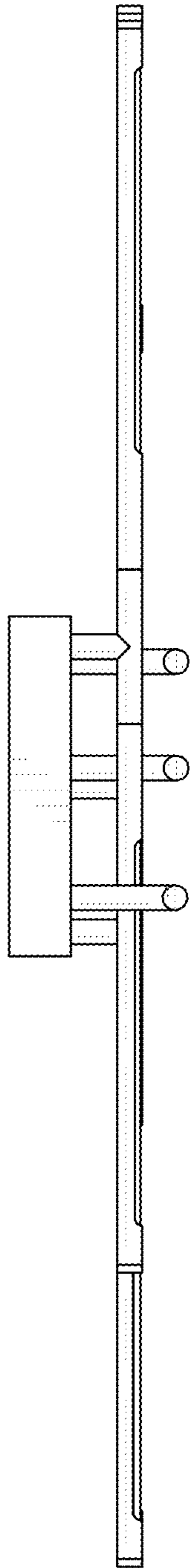


FIG. 1

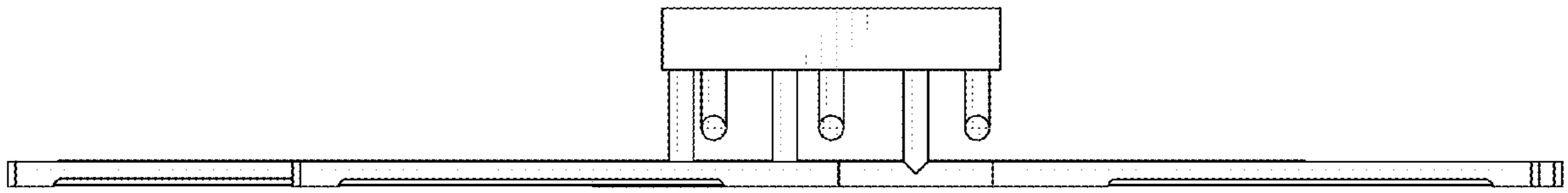


*FIG.2*

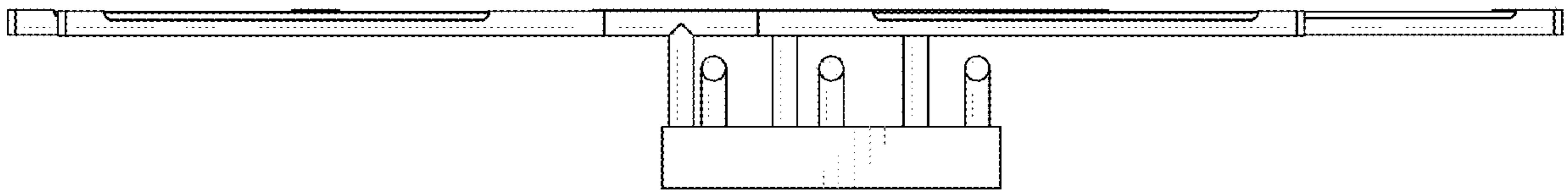


*FIG. 3*

*FIG. 4*



*FIG. 5*



*FIG. 6*

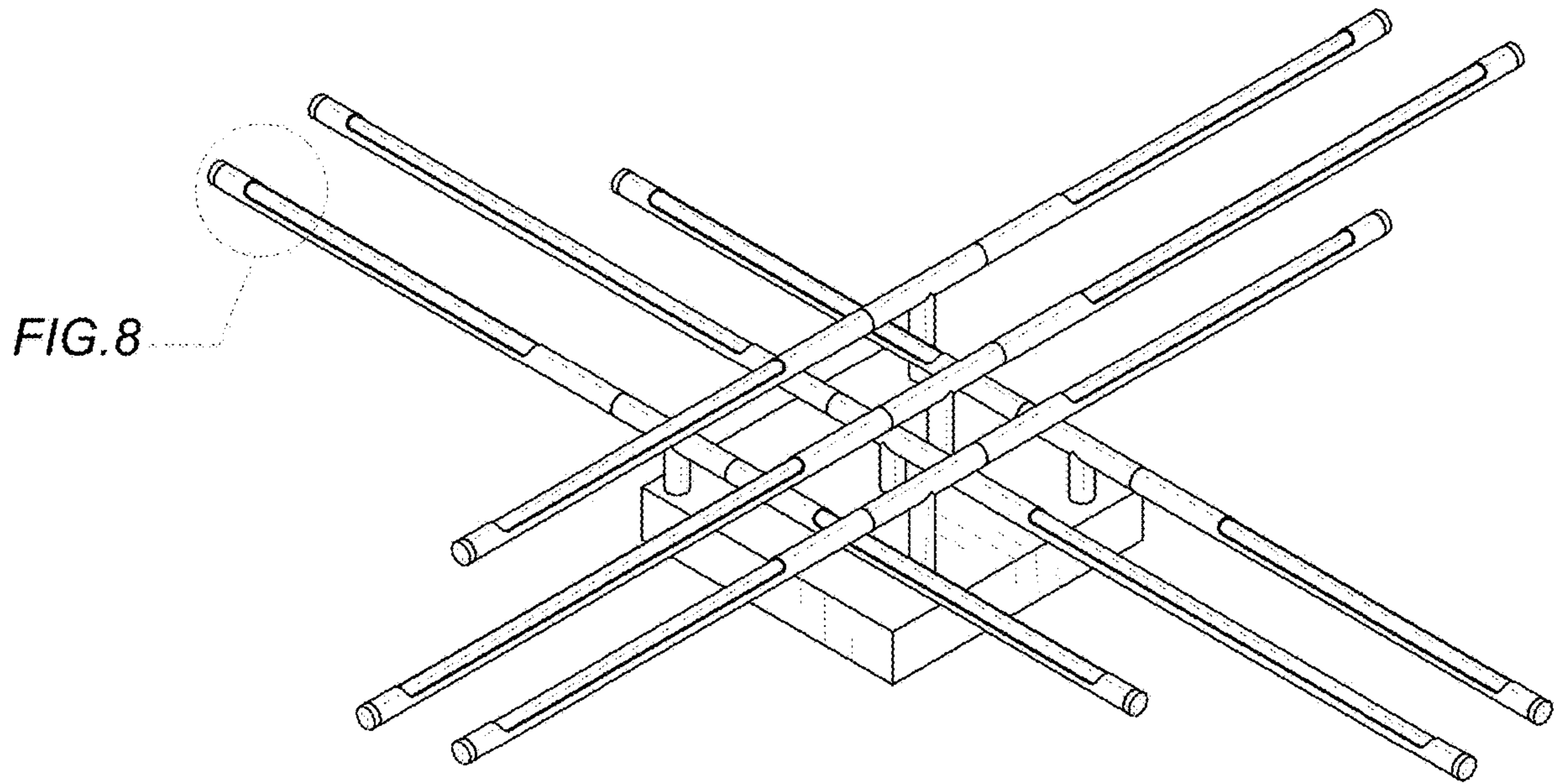
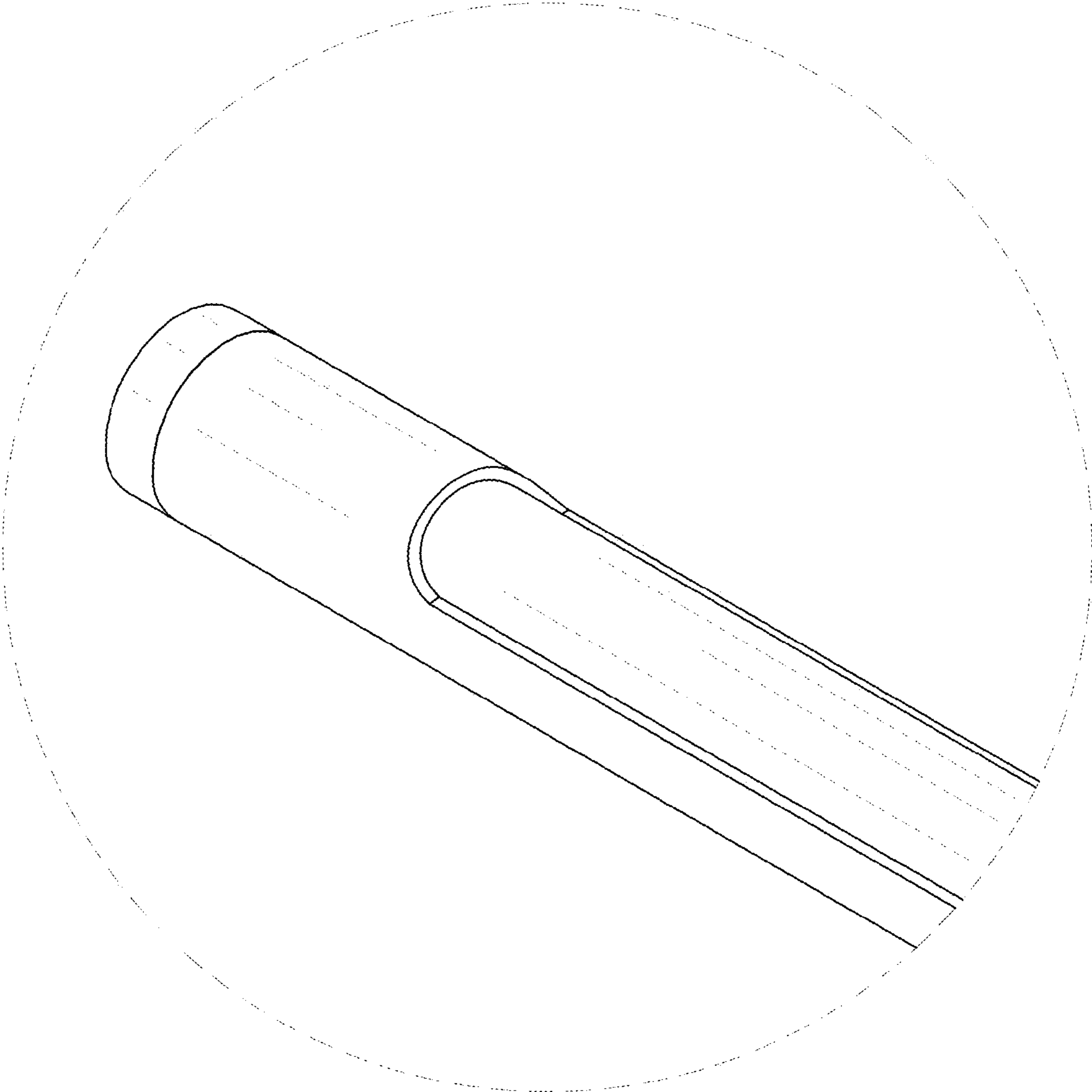


FIG. 7



*FIG.8*