



US00D930884S

(12) **United States Design Patent** (10) **Patent No.:** **US D930,884 S**
Xu (45) **Date of Patent:** **** Sep. 14, 2021**

(54) **LAMP**

(71) Applicant: **Luxia Xu**, Dazhou (CN)

(72) Inventor: **Luxia Xu**, Dazhou (CN)

(**) Term: **15 Years**

(21) Appl. No.: **29/766,369**

(22) Filed: **Jan. 14, 2021**

(51) **LOC (13) Cl.** **26-03**

(52) **U.S. Cl.**
USPC **D26/84; D26/86**

(58) **Field of Classification Search**
USPC D26/80-84, 86, 88, 90
CPC F21S 8/04; F21S 8/043; F21S 8/046; F21S
8/06; F21S 8/061; F21S 8/063; F21S
8/065; F21S 8/066; F21S 8/068
See application file for complete search history.

(56) **References Cited**

U.S. PATENT DOCUMENTS

D81,532 S	*	7/1930	Gosling	D26/88
D493,568 S	*	7/2004	Parres	D26/143
D557,440 S	*	12/2007	Hsu	D26/63
D580,088 S	*	11/2008	Orozco	D26/81
D592,787 S	*	5/2009	Chandler	D26/81
D659,277 S		5/2012	Chen	
D835,322 S	*	12/2018	Nicholas	D26/81
D851,317 S	*	6/2019	Orozco	D26/81
D865,262 S	*	10/2019	Chen	D26/81
D866,840 S	*	11/2019	Chen	D26/81
D877,393 S		3/2020	Yu et al.	
D877,959 S	*	3/2020	Birchfield	D26/81
D897,024 S	*	9/2020	Gong	D26/81
D897,025 S	*	9/2020	Gong	D26/81

OTHER PUBLICATIONS

Beuhouz Lighting Farmhouse Chandelier available at lightsdaddy.com as early as Oct. 9, 2019. (Year: 2019).*

Rustic Linear Wooden Chandelier with Metal Wire Cage for Kitchen Island available at 7pmhome.com as early as Nov. 19, 2019. (Year: 2019).*

Beionxii 5-Light Kitchen Island Light, ASIN: B086SN1VHK available at amazon.com May 1, 2020. (Year: 2020).*

LNC Araphi 4-Light Dark Gray Modern Farmhouse Chandelier, available from homedepot.com as early as Oct. 7, 2020. (Year: 2020).*

West Ninth Vintage Pendant Farmhouse Chandelier Fixture, SKU: KITCHB01MCR6AP8, available from walmart.com, visited Aug. 2, 2021. (Year: 2021).*

* cited by examiner

Primary Examiner — Clare E Heflin

(57) **CLAIM**

The ornamental design for a lamp, as shown and described.

DESCRIPTION

FIG. 1 is a perspective view of a lamp showing my new design;

FIG. 2 is another perspective view thereof;

FIG. 3 is a front elevational view thereof;

FIG. 4 is a rear elevational view thereof;

FIG. 5 is a left side elevational view thereof;

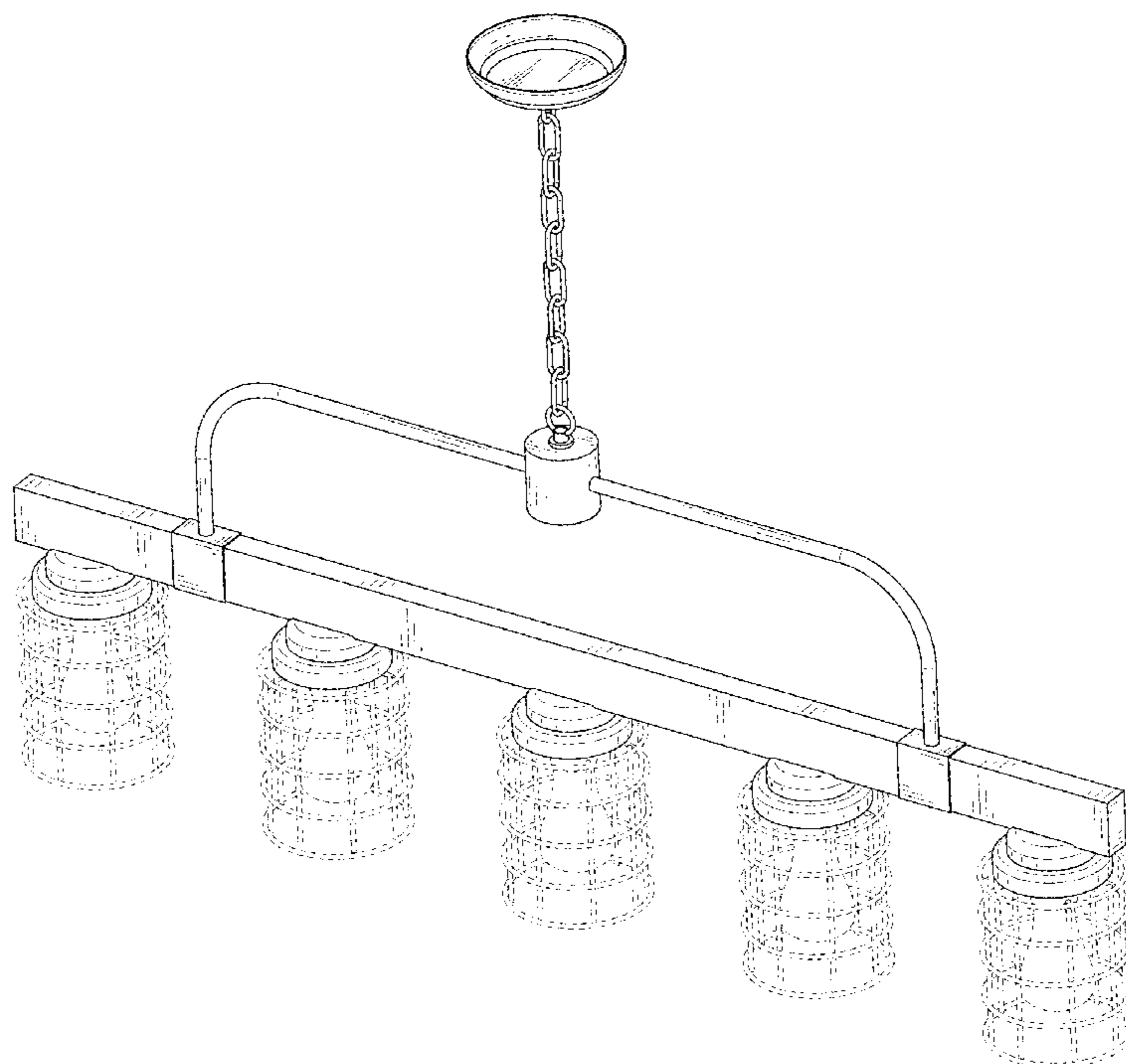
FIG. 6 is a right side elevational view thereof;

FIG. 7 is a top plan view thereof; and,

FIG. 8 is a bottom plan view thereof.

The broken lines in the drawings depict portions of the lamp that form no part of the claimed design.

1 Claim, 8 Drawing Sheets



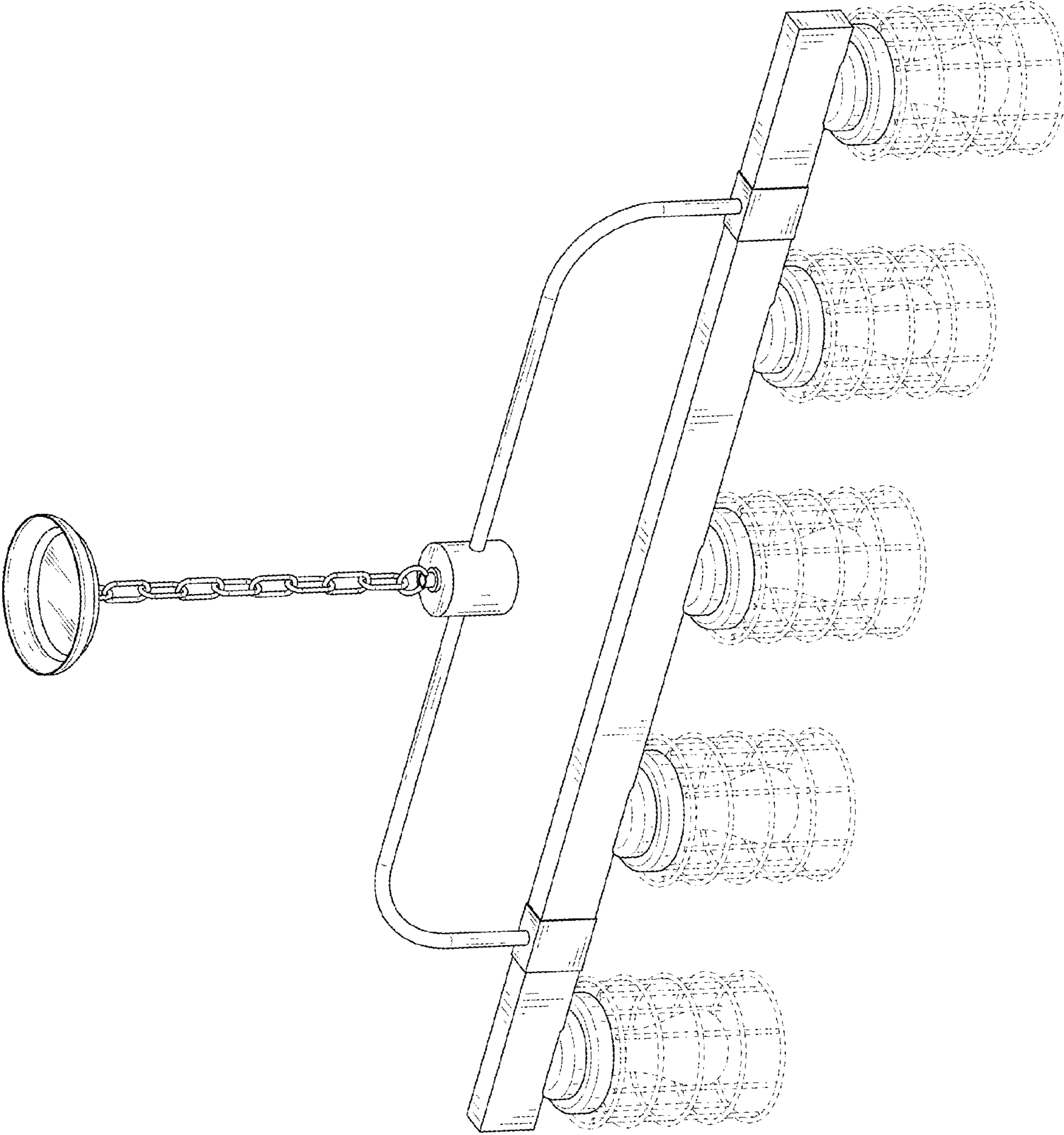


FIG. 1

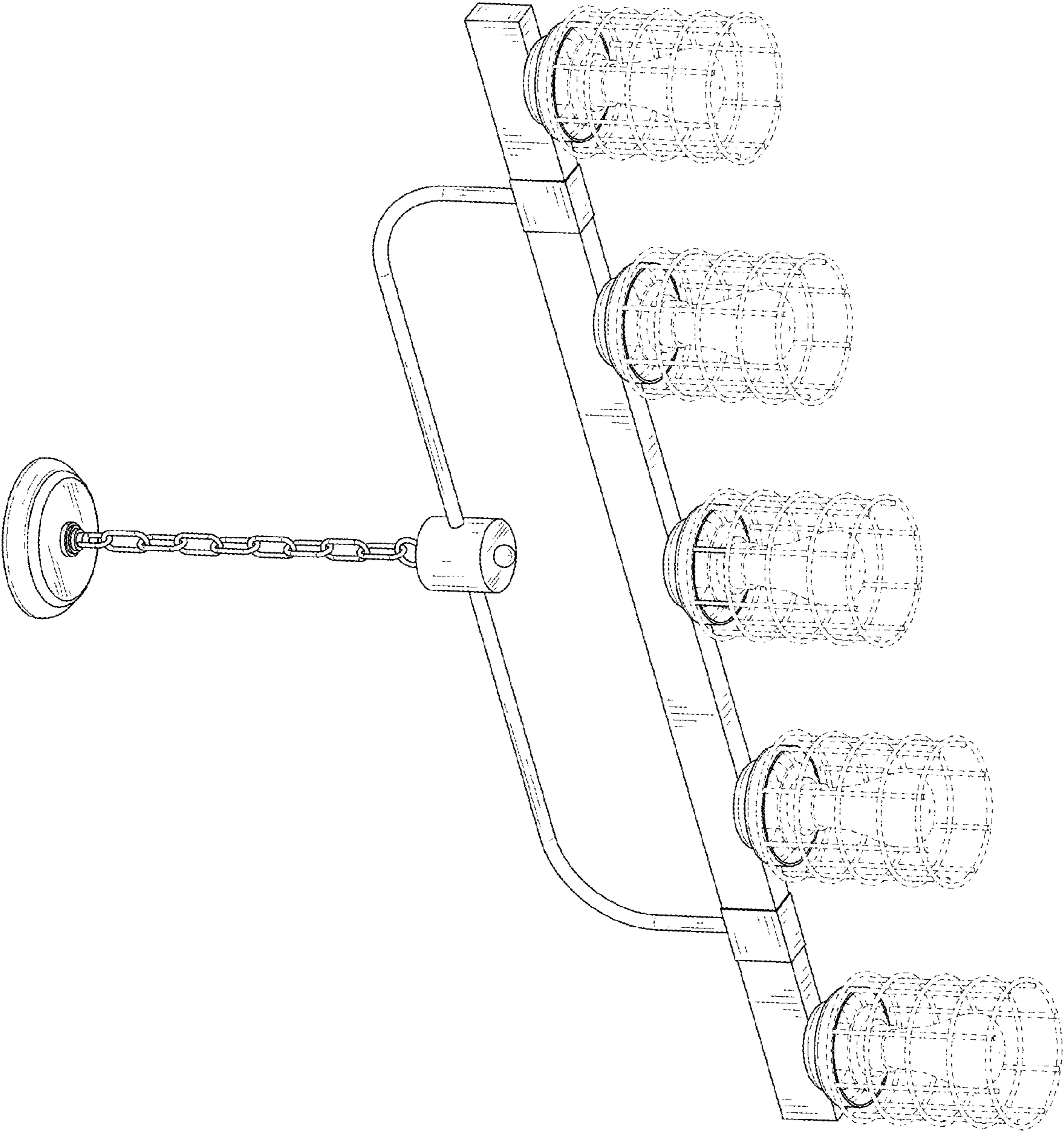


FIG. 2

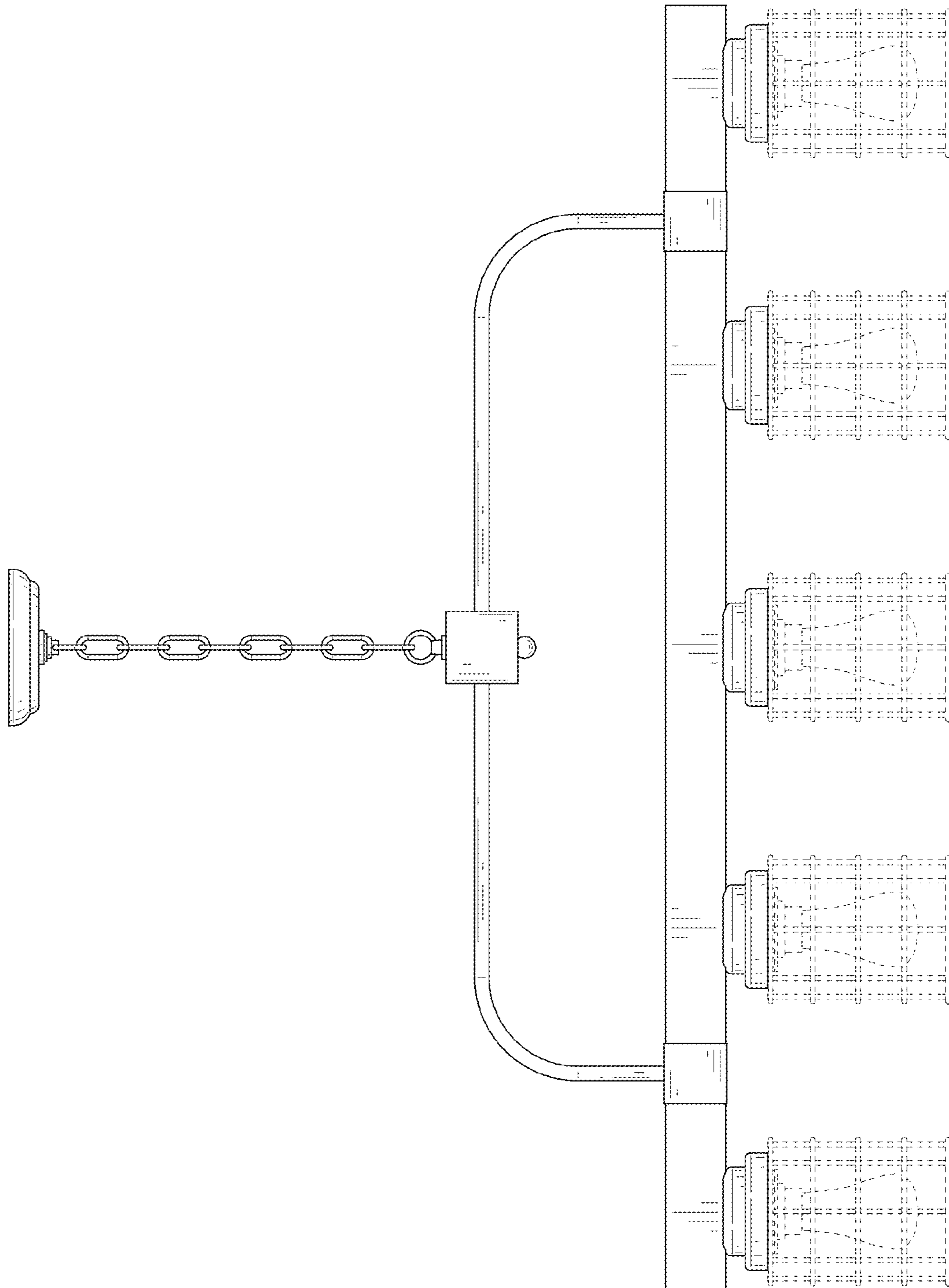


FIG. 3

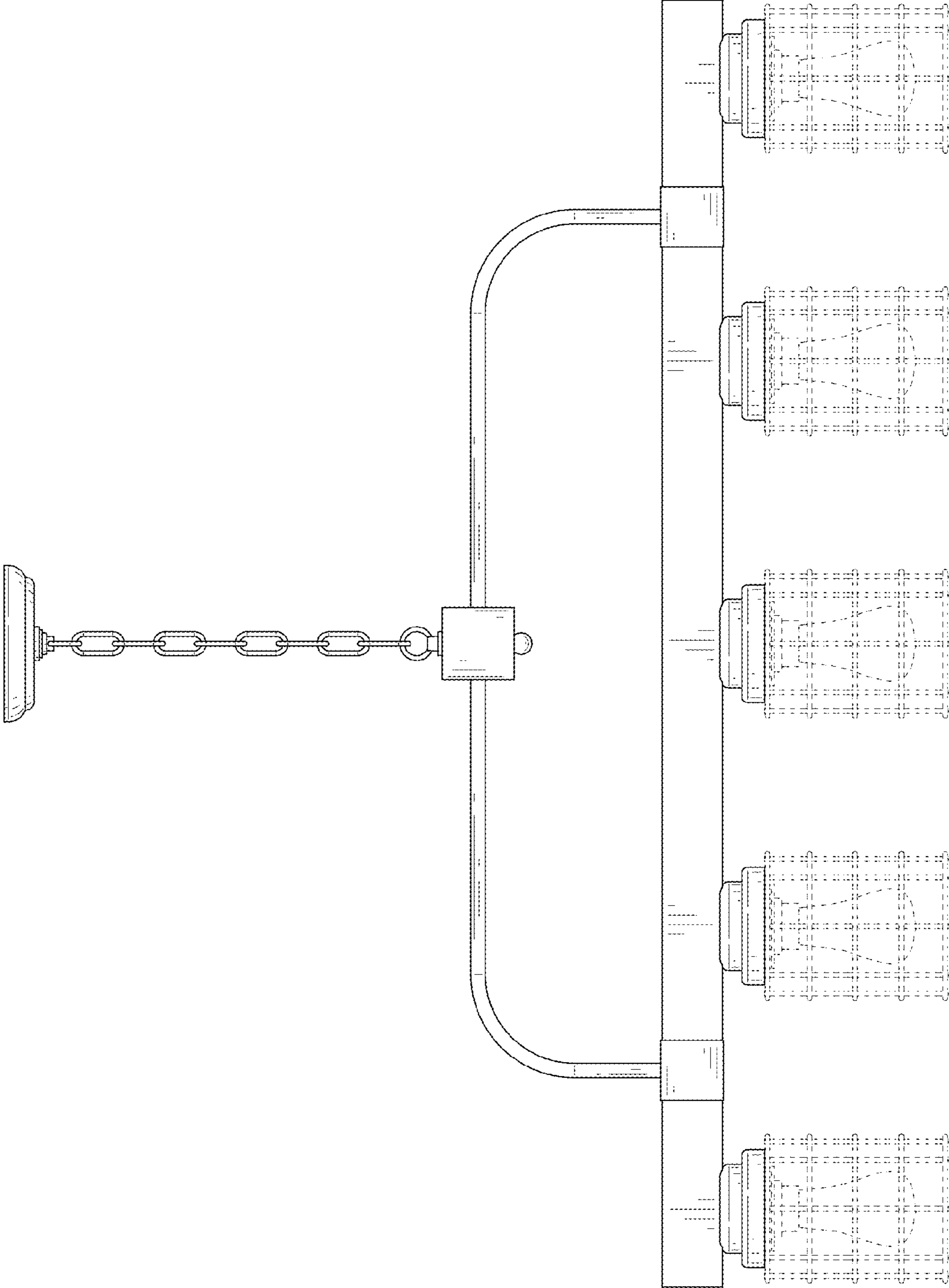


FIG. 4

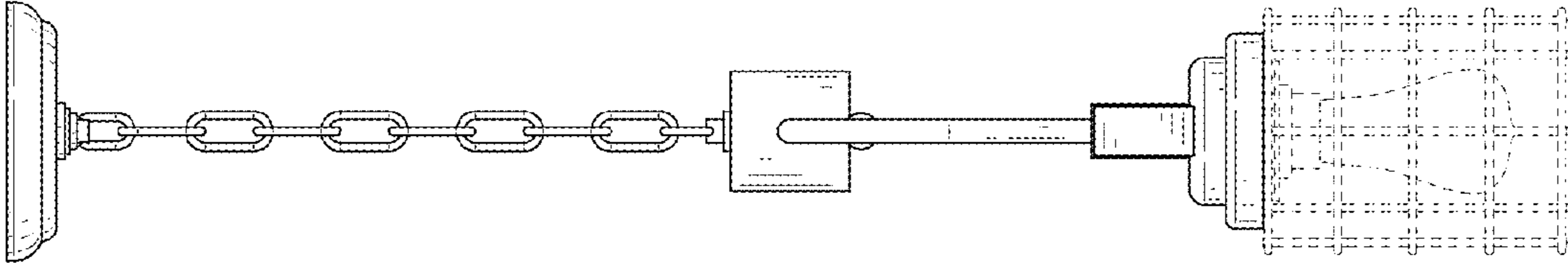


FIG. 5

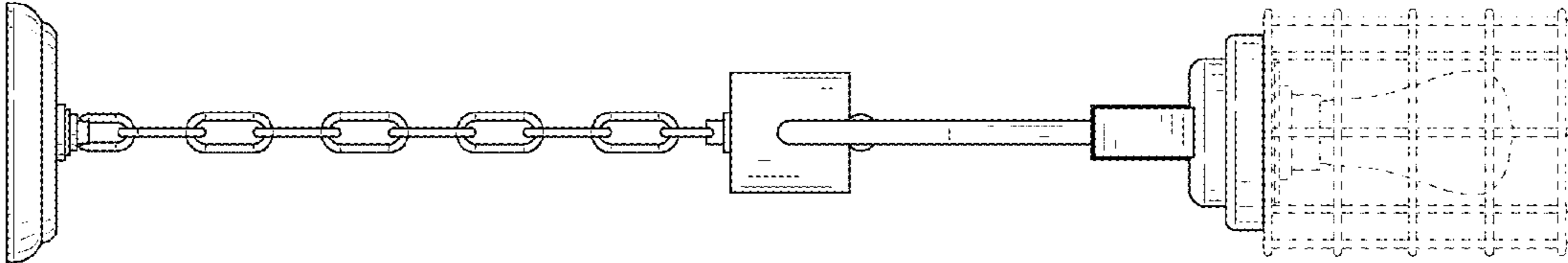


FIG. 6

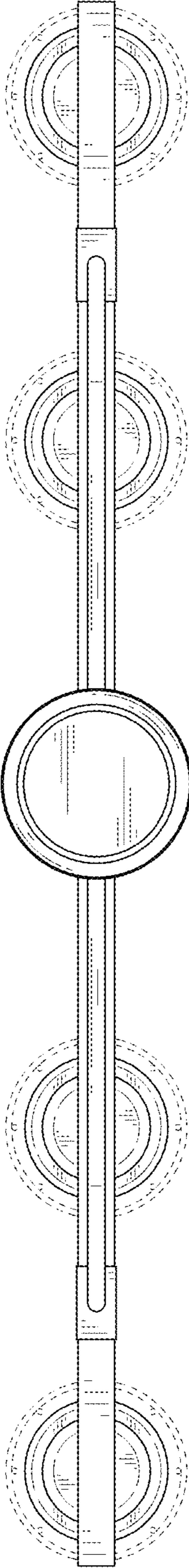


FIG. 7

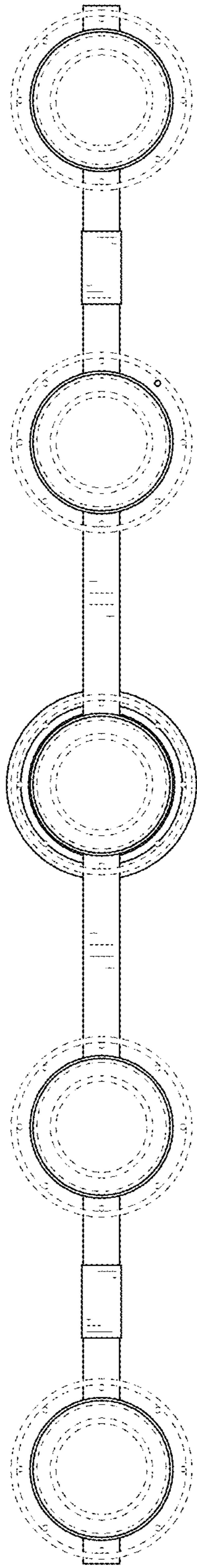


FIG. 8