



US00D930882S

(12) **United States Design Patent** (10) **Patent No.:** **US D930,882 S**
Song (45) **Date of Patent:** **** Sep. 14, 2021**

(54) **CABINET LAMP**
(71) Applicant: **Hongle Song**, Guangdong (CN)
(72) Inventor: **Hongle Song**, Guangdong (CN)
(73) Assignee: **Tianle Electronic Technology (Guangdong) Co., Ltd.**, Dongguan (CN)
(**) Term: **15 Years**
(21) Appl. No.: **29/761,027**
(22) Filed: **Dec. 7, 2020**

D603,545 S * 11/2009 Levine D26/63
D606,229 S * 12/2009 Johansen D26/76
D770,076 S 10/2016 Li et al.
D819,251 S * 5/2018 Martins D26/76
D820,500 S * 6/2018 Li D26/76
D825,792 S * 8/2018 Johnson D26/24
D835,327 S 12/2018 Li et al.
D851,789 S * 6/2019 Johnson D26/76
D869,048 S * 12/2019 Chai D26/76
D873,468 S * 1/2020 Ma D26/85
D878,661 S * 3/2020 Vasquez D26/80
D882,137 S * 4/2020 Cooper D26/43
D900,374 S * 10/2020 Luo D26/85
D909,657 S * 2/2021 Jiang D26/93
D909,658 S * 2/2021 Jiang D26/93
D911,580 S * 2/2021 Hrach D26/76

* cited by examiner

(30) **Foreign Application Priority Data**

Oct. 9, 2020 (CN) 202030596770.3

(51) **LOC (13) Cl.** **26-04**
(52) **U.S. Cl.**
USPC **D26/76**

(58) **Field of Classification Search**
USPC D26/72, 74, 76, 78-83, 85, 86, 88, 90, D26/93, 111, 113, 118-122, 138, 139, D26/140, 141, 142, 152
CPC F21S 2/00; F21S 4/00; F21S 4/003; F21S 4/005; F21S 4/006; F21S 4/007; F21S 4/008; F21S 6/00; F21S 8/00; F21S 8/024; F21S 8/026; F21S 8/031; F21S 8/033; F21S 8/035-037; F21S 8/04; F21S 8/043; F21S 8/063
See application file for complete search history.

(56) **References Cited**

U.S. PATENT DOCUMENTS

D384,762 S * 10/1997 Roorda D26/24
D384,763 S * 10/1997 Roorda D26/24

Primary Examiner — Natasha Vujcic

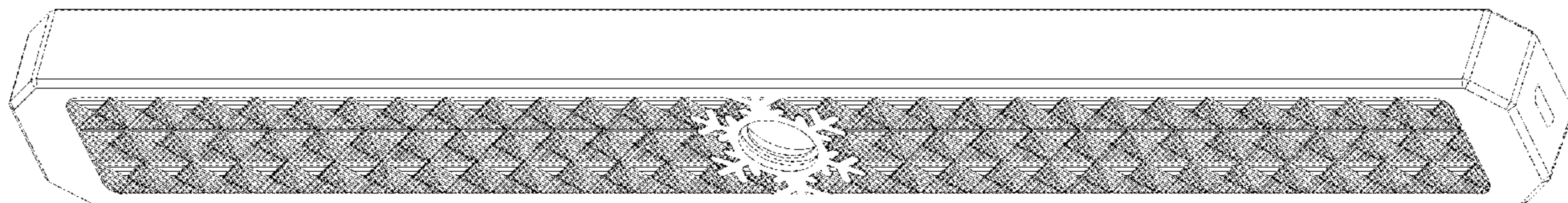
(57) **CLAIM**

The ornamental design for a cabinet lamp, as shown and described.

DESCRIPTION

FIG. 1 is a top, front, right side perspective view of a cabinet lamp showing my new design;
FIG. 2 is a bottom, rear, right side perspective view thereof;
FIG. 3 is a front elevation view thereof;
FIG. 4 is a rear elevation view thereof;
FIG. 5 is an enlarged left side elevation view thereof;
FIG. 6 is an enlarged right side elevation view thereof;
FIG. 7 is a top plan view thereof; and,
FIG. 8 is a bottom plan view thereof.

1 Claim, 5 Drawing Sheets



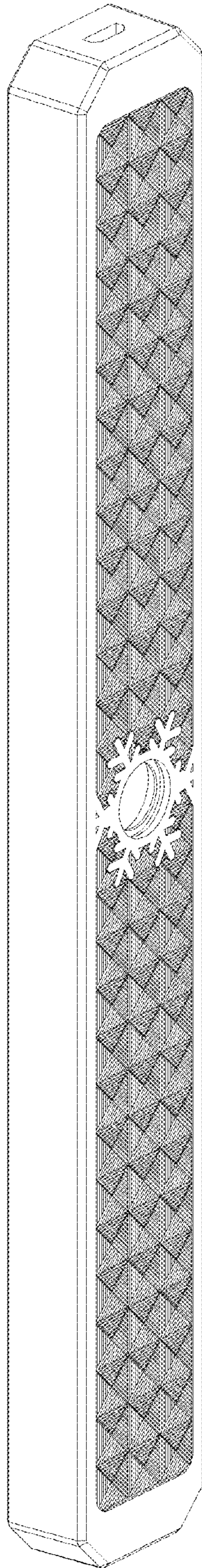


FIG.1

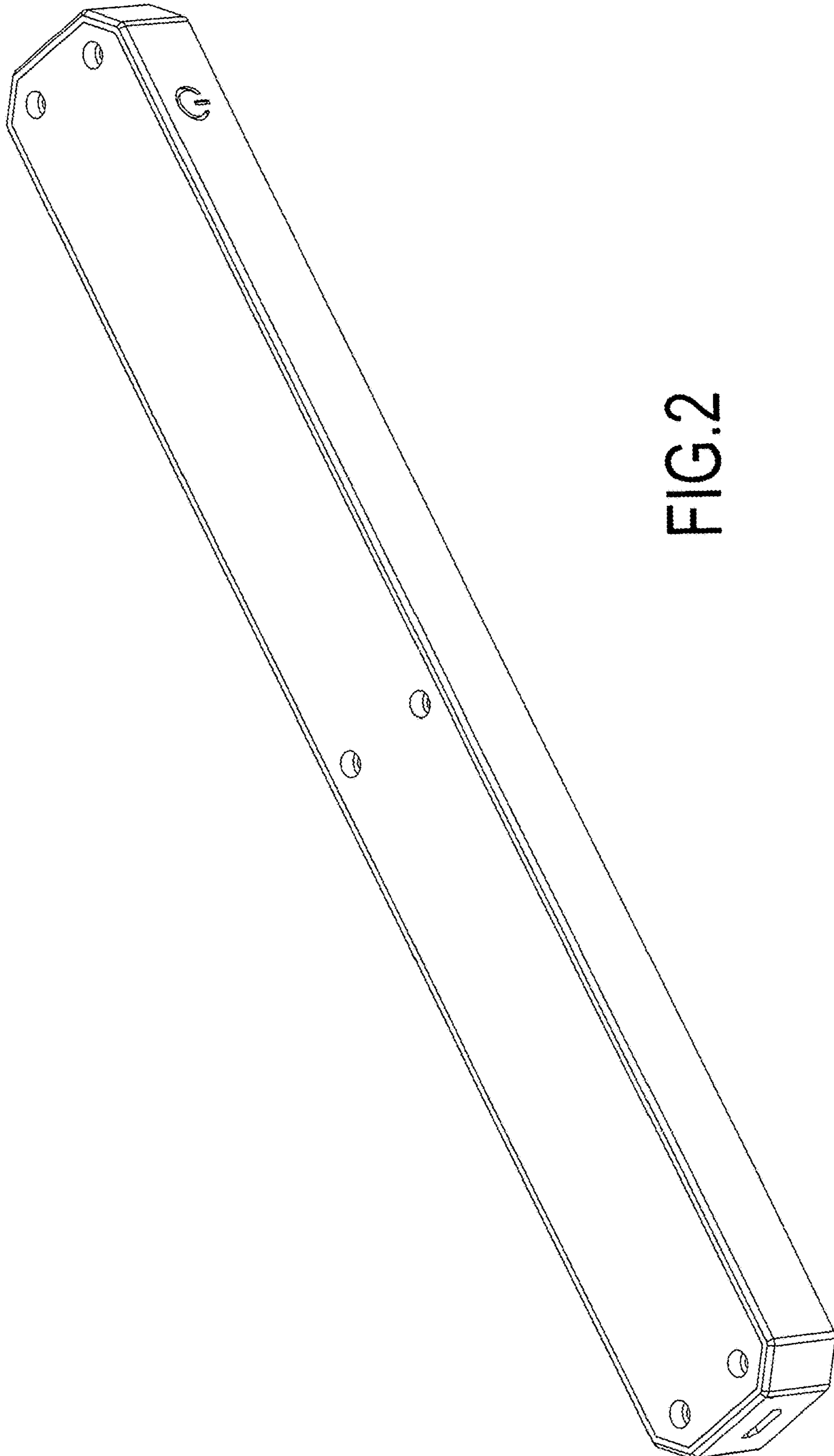


FIG.2

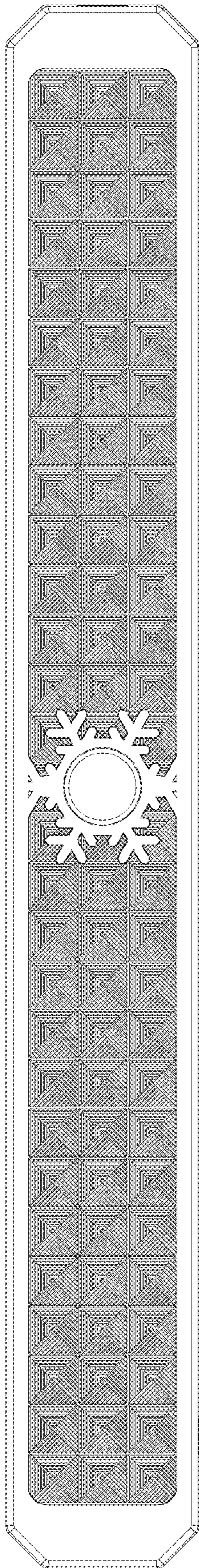


FIG.3

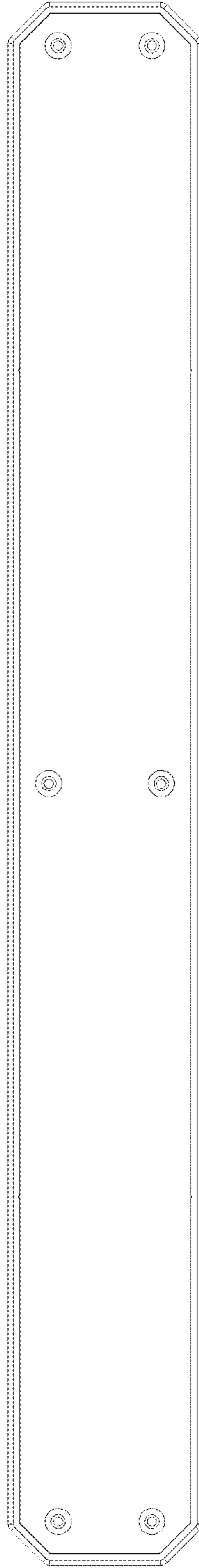


FIG.4

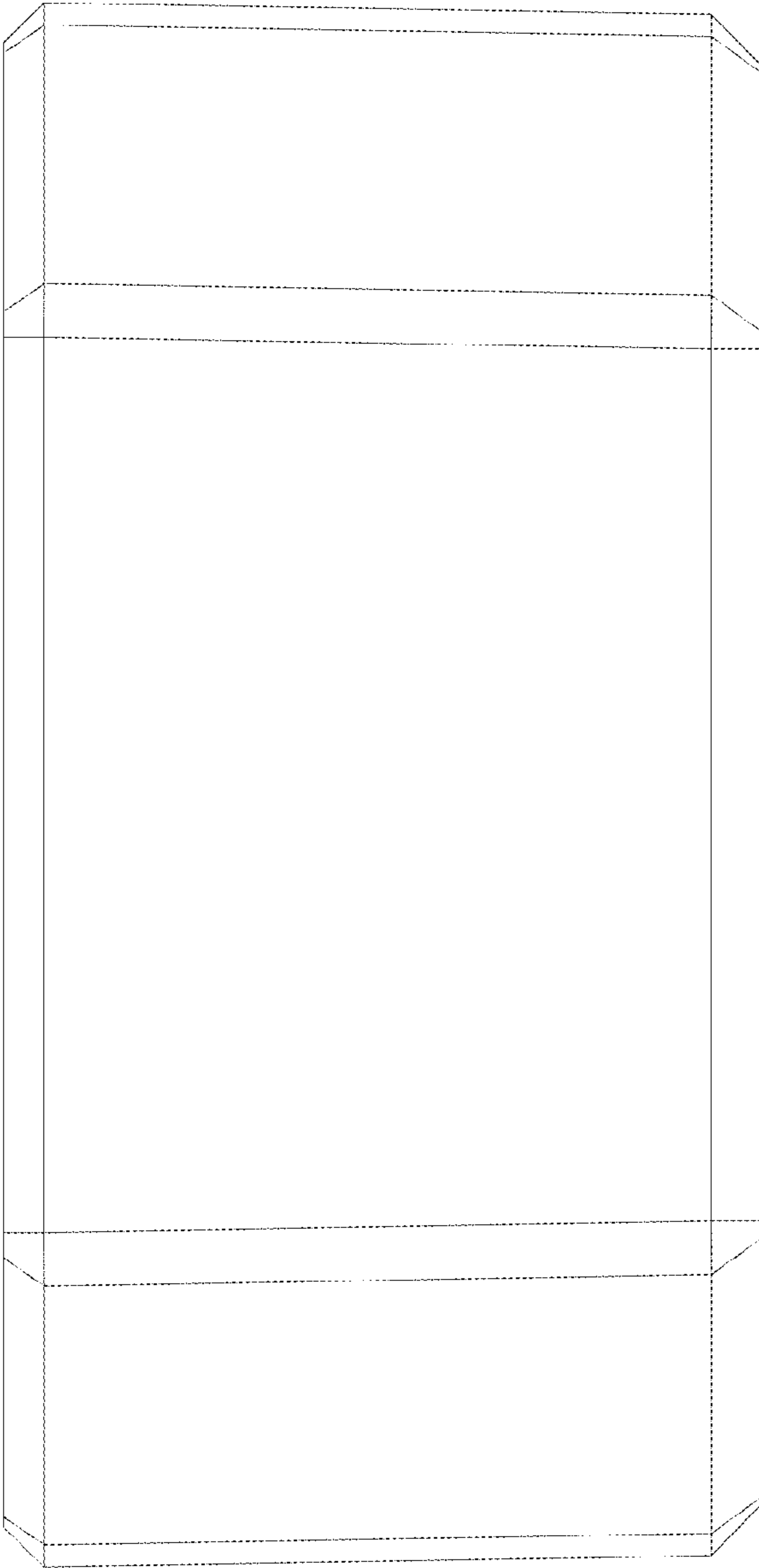


FIG.5

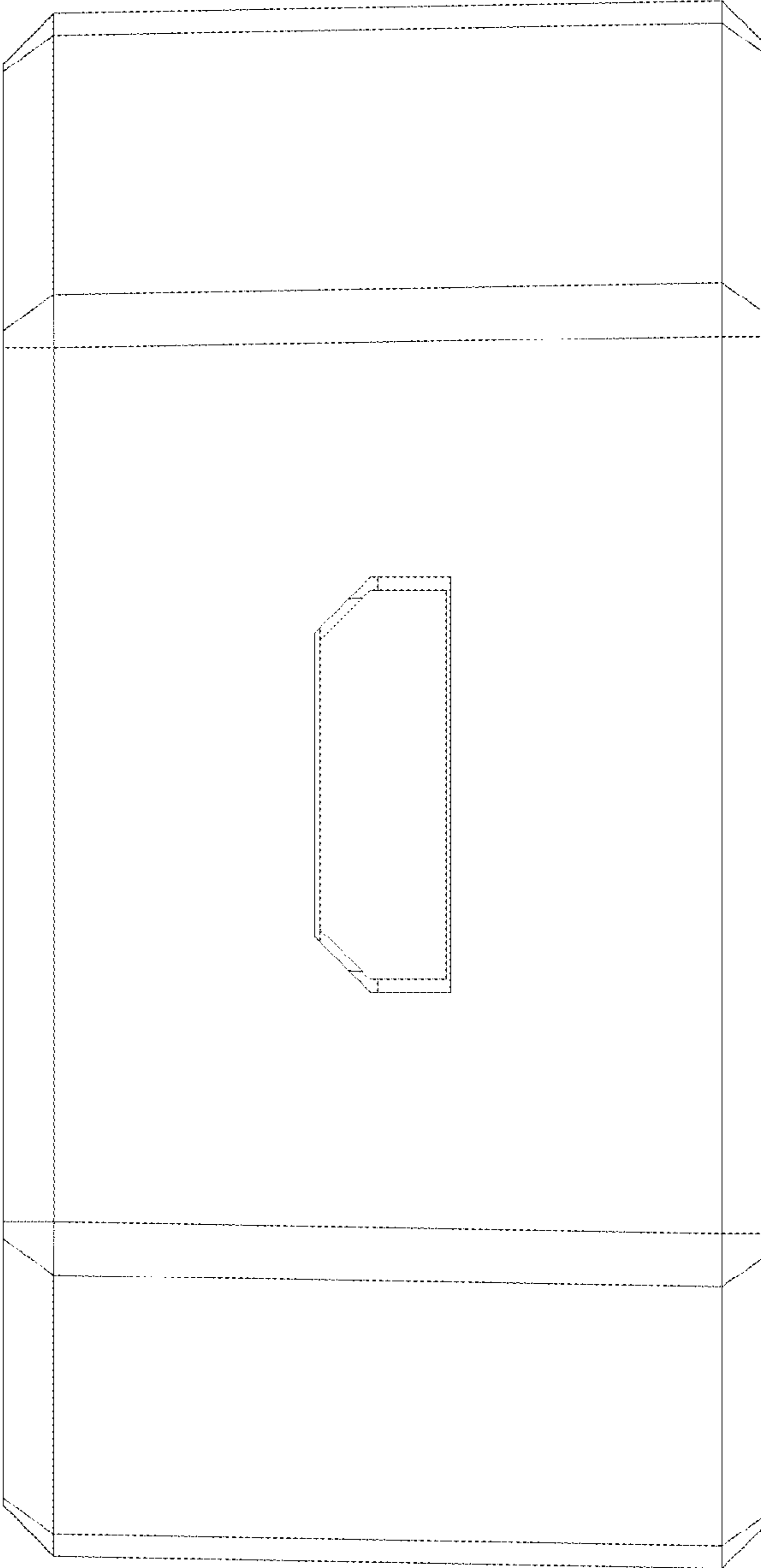


FIG.6

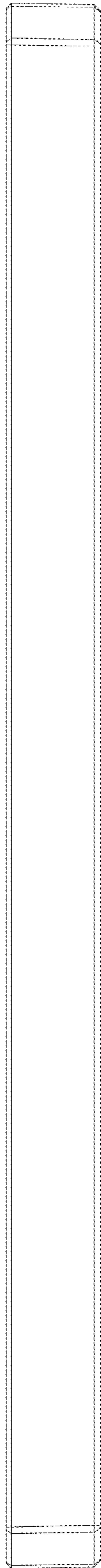


FIG. 7

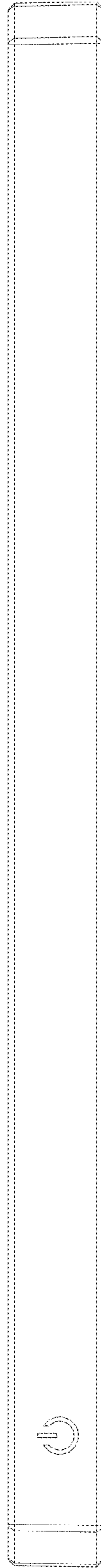


FIG. 8