



US00D930881S

(12) **United States Design Patent**  
**Cho et al.**

(10) **Patent No.:** **US D930,881 S**

(45) **Date of Patent:** **\*\* \*Sep. 14, 2021**

(54) **LIGHTING APPARATUS**

(71) Applicant: **KH FEELUX CO., LTD.**,  
Gyeonggi-do (KR)

(72) Inventors: **Bum Yeon Cho**, Seoul (KR); **Gil Hun Shin**, Seoul (KR)

(73) Assignee: **KH FEELUX CO., LTD.**,  
Gyeonggi-Do (KR)

(\*) Notice: This patent is subject to a terminal disclaimer.

(\*\*) Term: **15 Years**

(21) Appl. No.: **29/730,661**

(22) Filed: **Apr. 7, 2020**

**Related U.S. Application Data**

(62) Division of application No. 29/659,164, filed on Aug. 7, 2018, now Pat. No. Des. 898,267.

(51) **LOC (13) Cl.** ..... **26-04**

(52) **U.S. Cl.**  
USPC ..... **D26/76**

(58) **Field of Classification Search**  
USPC ..... D26/24, 39, 59, 67, 68, 69, 70, 71, 72,  
D26/74, 76, 77, 80, 88, 89, 138, 25-28,  
D26/37, 75, 78, 85, 104, 108, 142  
CPC ..... F21S 2/00; F21S 4/00; F21S 4/003; F21S  
4/005; F21S 4/006; F21S 4/007; F21S  
4/008; F21S 6/00; F21S 8/00; F21S 8/04  
See application file for complete search history.

(56) **References Cited**

**U.S. PATENT DOCUMENTS**

D496,122 S \* 9/2004 Kan ..... D26/76  
D579,139 S \* 10/2008 Ghini ..... D26/72  
D611,643 S \* 3/2010 Owen ..... D26/76  
D662,245 S \* 6/2012 Steffy ..... D26/75  
D760,418 S \* 6/2016 Muchandi ..... D26/76

D793,603 S \* 8/2017 Parker ..... D26/76  
10,082,275 B2 \* 9/2018 Veltri ..... F21V 17/002  
D855,238 S \* 7/2019 Stanley ..... D26/76  
10,378,734 B2 \* 8/2019 Veltri ..... F21V 15/01  
D878,658 S \* 3/2020 Cercone ..... D26/76

(Continued)

*Primary Examiner* — Garth Rademaker

*Assistant Examiner* — Benjamin M Weeks

(74) *Attorney, Agent, or Firm* — The PL Law Group,  
PLLC

(57) **CLAIM**

The ornamental design for a lighting apparatus, as shown and described herein.

**DESCRIPTION**

FIG. 1 is a perspective view of a lighting apparatus showing our new design;

FIG. 2 is a front view thereof;

FIG. 3 is a rear view thereof;

FIG. 4 is a left-side view thereof;

FIG. 5 is a right-side view thereof;

FIG. 6 is a top plan view thereof;

FIG. 7 is a bottom plan view thereof;

FIG. 8 is a perspective view of a bottom portion thereof;

FIG. 9 is an enlarged view of a front portion of the lighting apparatus shown in FIG. 1;

FIG. 10 is an enlarged view of a middle portion of the lighting apparatus shown in FIG. 1;

FIG. 11 is an enlarged view of a rear portion of the lighting apparatus shown in FIG. 1;

FIG. 12 is an enlarged view of a front portion of the lighting apparatus shown in FIG. 2;

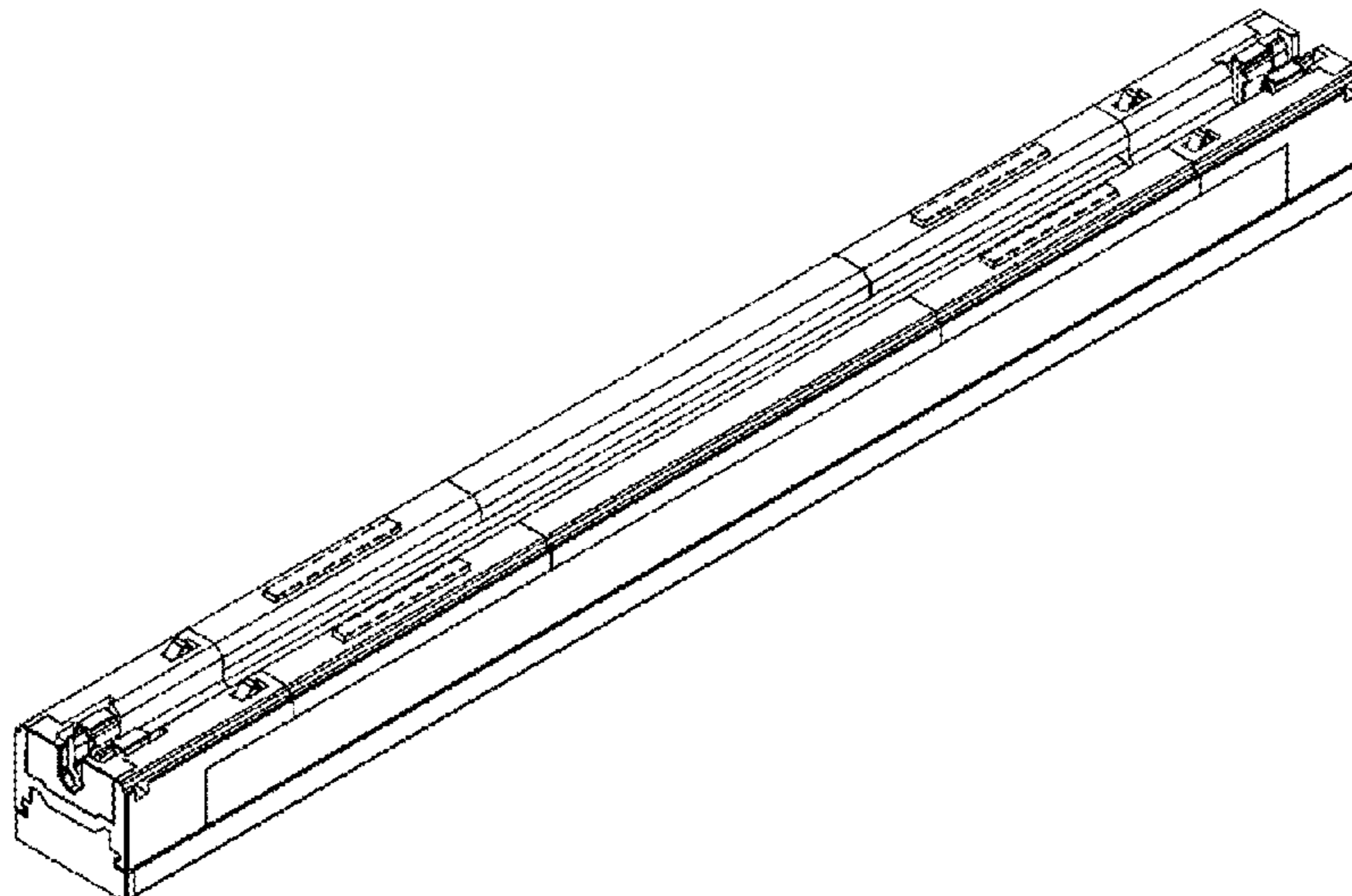
FIG. 13 is an enlarged view of FIG. 4;

FIG. 14 is an enlarged view of a front portion of the lighting apparatus shown in FIG. 6; and,

FIG. 15 is an enlarged view of a front portion of the lighting apparatus shown in FIG. 8.

The broken lines illustrate portions of the lighting apparatus that form no part of the claimed design.

**1 Claim, 9 Drawing Sheets**



(56)

**References Cited**

U.S. PATENT DOCUMENTS

D897,022	S *	9/2020	Guo	.....	D26/76
D898,267	S *	10/2020	Cho	.....	D26/76
10,794,580	B1 *	10/2020	Su	.....	F21V 31/005
10,845,041	B2 *	11/2020	Pena	.....	F21V 31/00
2012/0182734	A1 *	7/2012	Shimizu	.....	F21V 15/015 362/235
2013/0279180	A1 *	10/2013	Pearson	.....	F21V 15/015 362/371
2015/0124440	A1 *	5/2015	Janjua	.....	F21V 19/004 362/223
2015/0292719	A1 *	10/2015	Park	.....	F21S 8/026 362/221

\* cited by examiner

FIG. 1

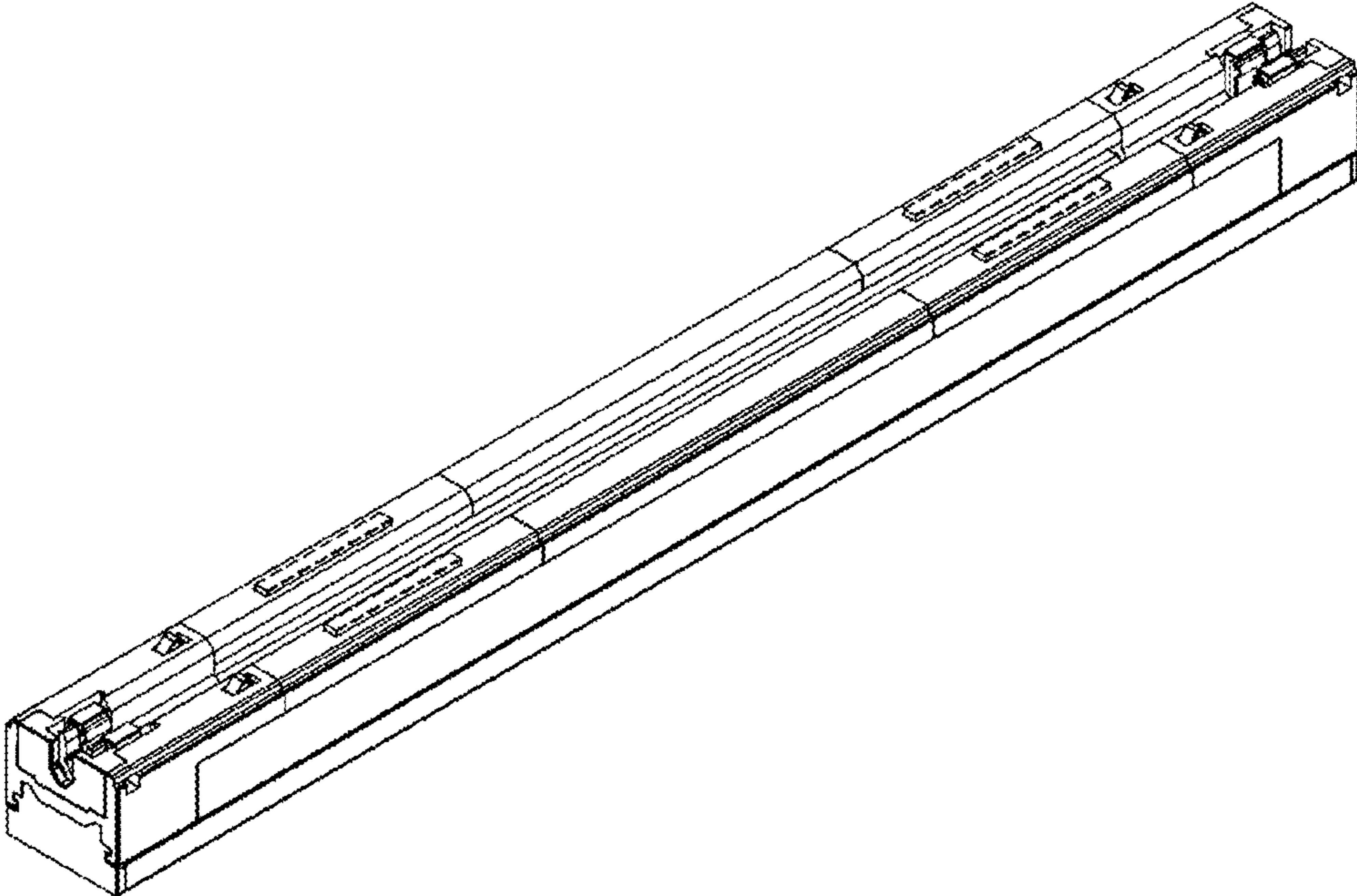


FIG. 2

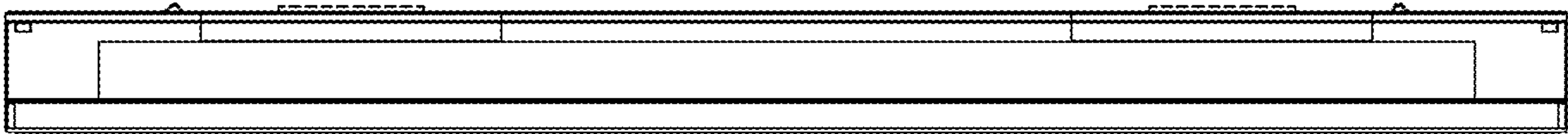


FIG. 3

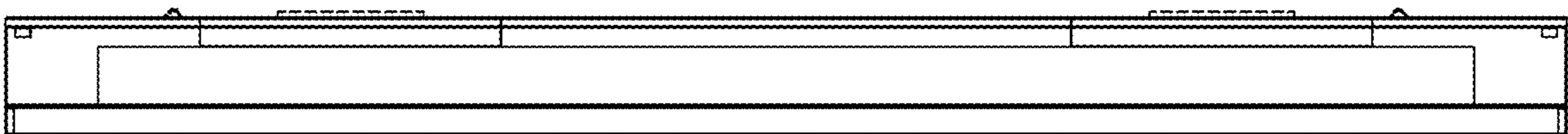


FIG. 4

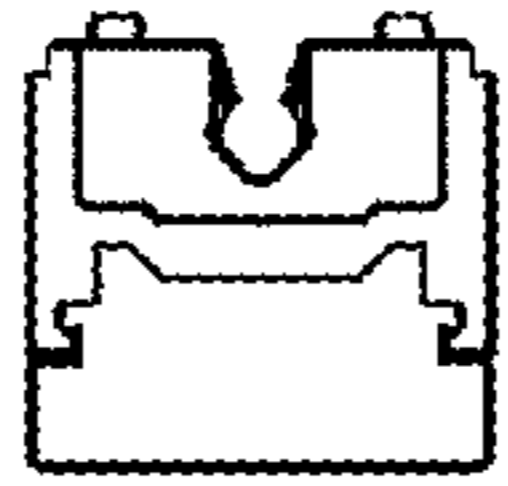


FIG. 5

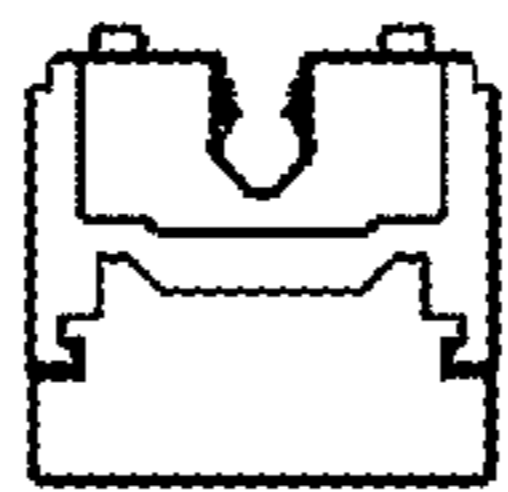


FIG. 6



FIG. 7

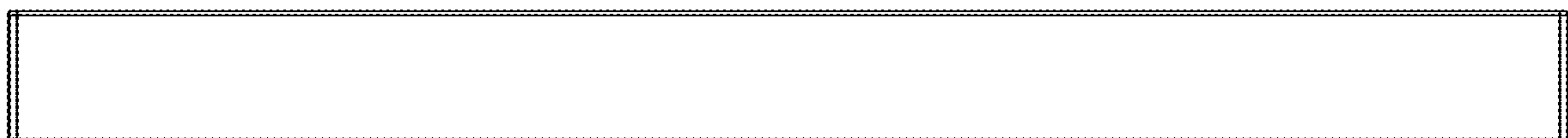


FIG. 8

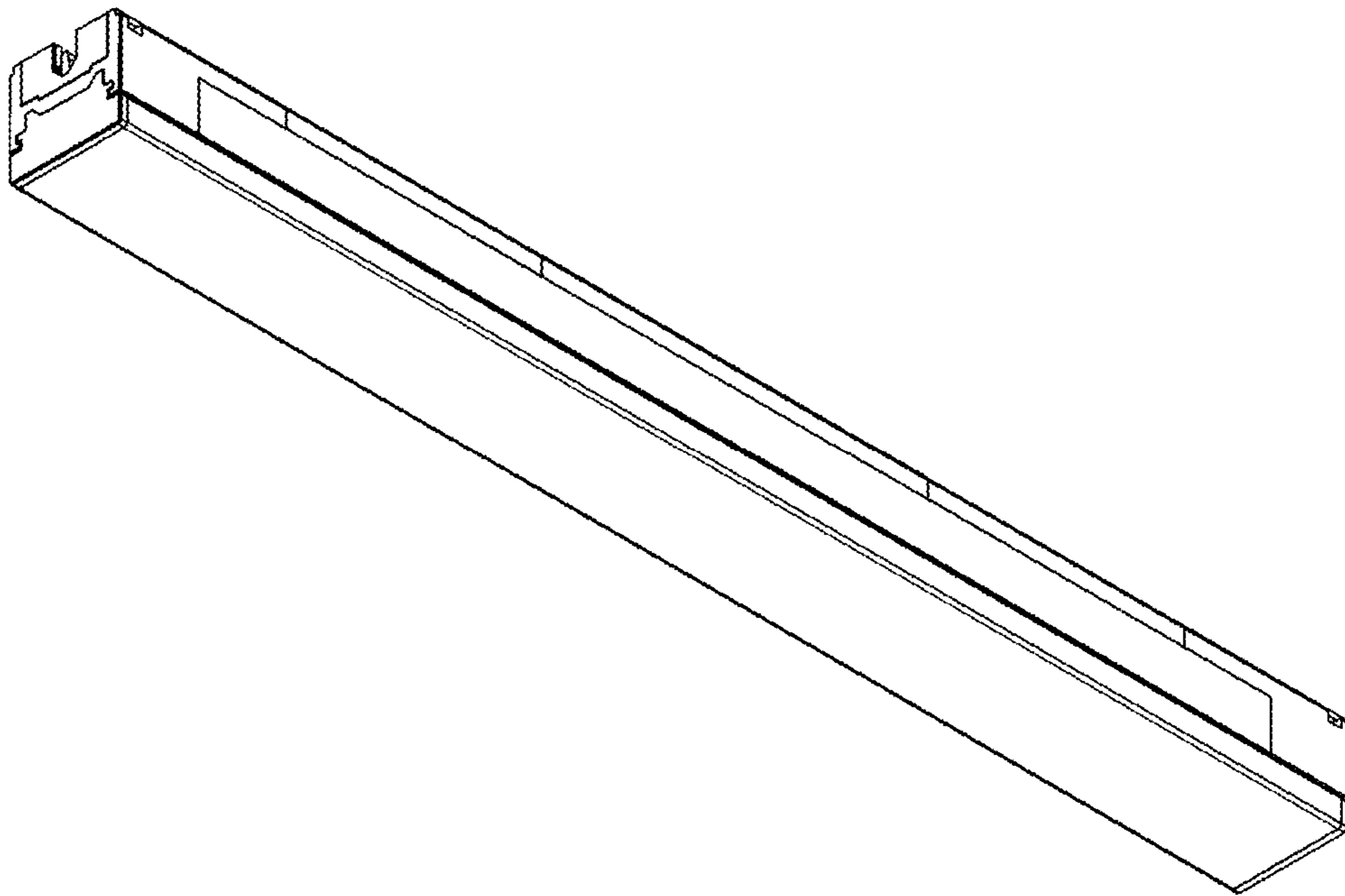


FIG. 9

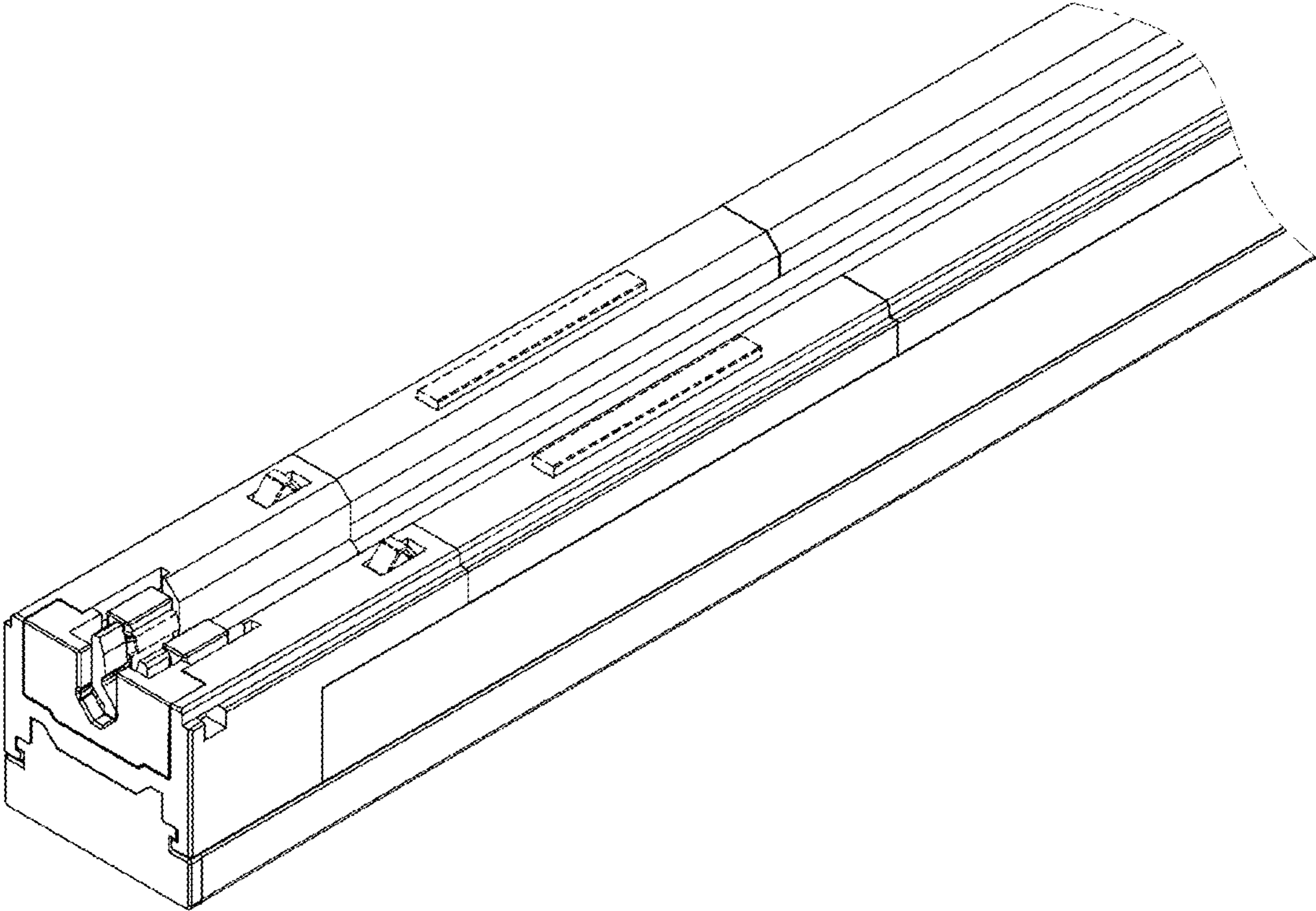


FIG. 10

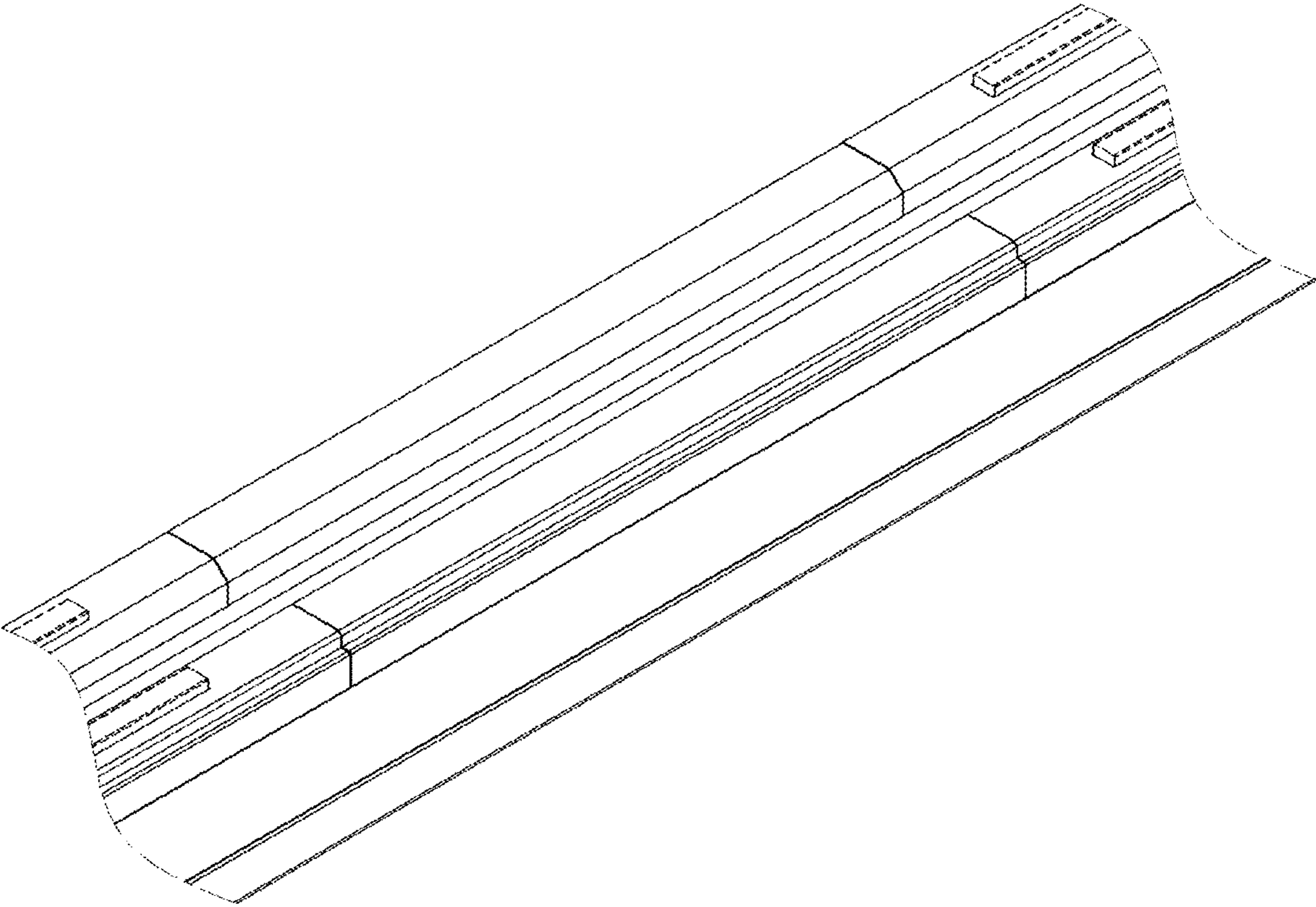




FIG. 11

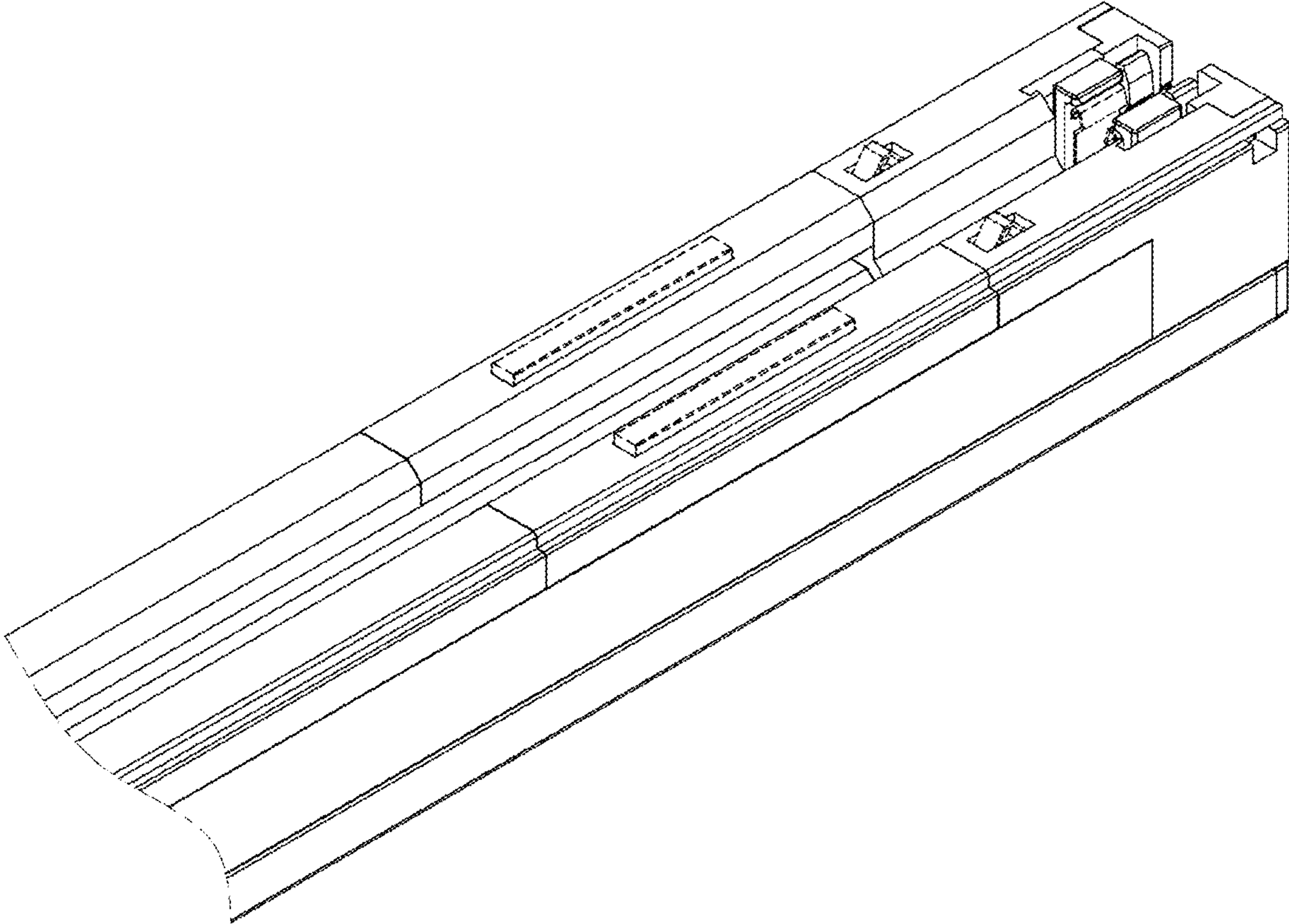


FIG. 12

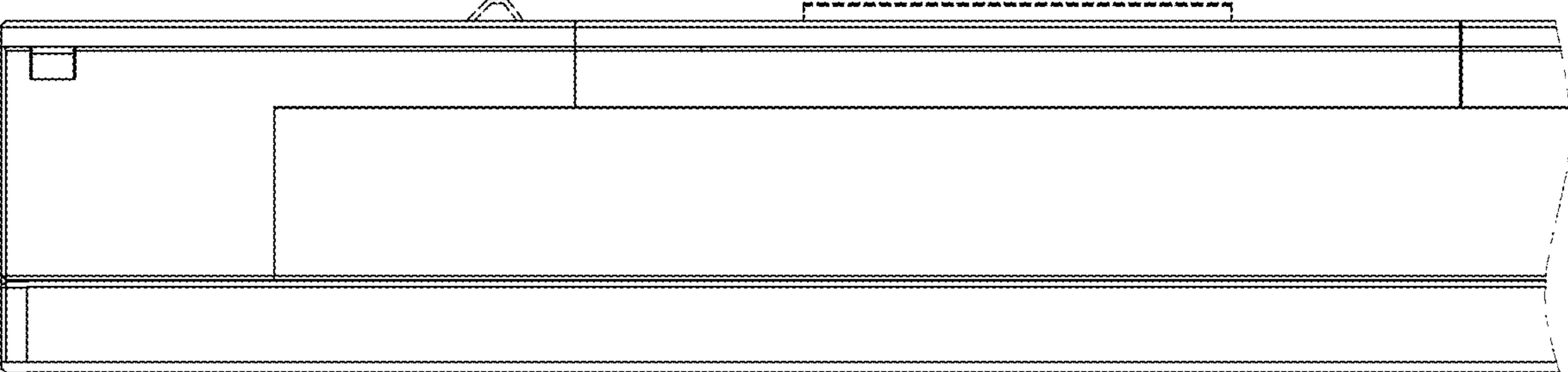


FIG. 13

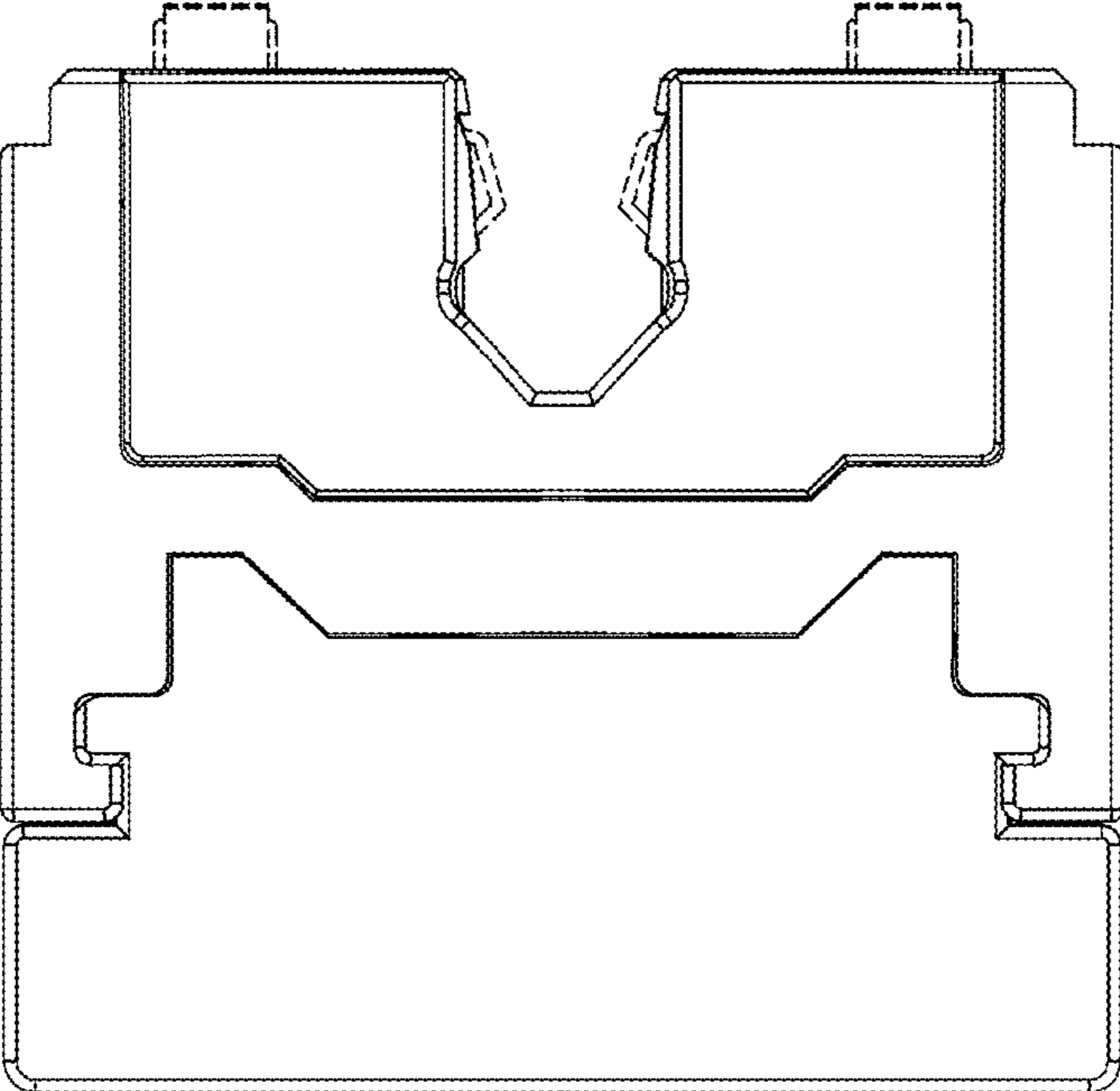


FIG. 14

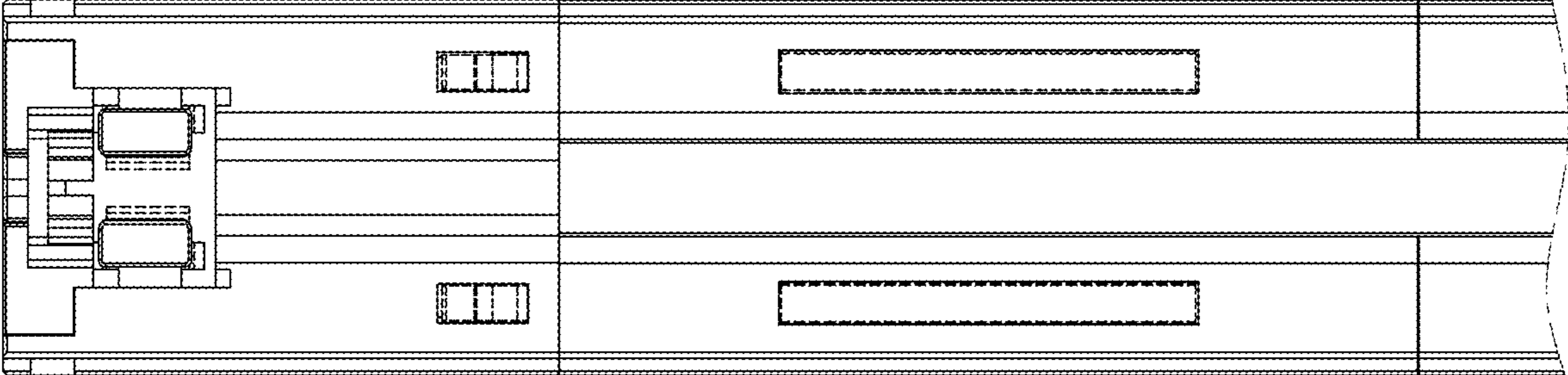


FIG. 15

