



US00D930876S

(12) **United States Design Patent** (10) **Patent No.:** **US D930,876 S**  
**Nobes** (45) **Date of Patent:** **\*\* Sep. 14, 2021**

(54) **LIGHT DEVICE WITH A SOLAR PANEL**

(71) Applicant: **Fusion Products LTD.**, Cambridge (CA)

(72) Inventor: **Randy Nobes**, Kitchener (CA)

(73) Assignee: **Fusion Products, Ltd.**, Cambridge (CA)

(\*\*) Term: **15 Years**

(21) Appl. No.: **29/716,120**

(22) Filed: **Dec. 6, 2019**

(51) **LOC (13) Cl.** ..... **26-05**

(52) **U.S. Cl.**  
USPC ..... **D26/51**

(58) **Field of Classification Search**  
USPC ..... D26/24, 26, 28-29, 34, 37-38, 43-44,  
D26/51, 59-64, 66-68, 72, 74, 76, 85-86,  
D26/88-89, 91, 113, 118-120, 122-124,  
D26/138, 140-146  
CPC ..... Y02E 10/00; Y02E 20/00; Y02E 30/00;  
Y02E 40/00; Y02E 50/00; Y02E 60/00;  
Y02E 70/00; H02S 10/00; H02S 20/00;  
H02S 30/00; H02S 40/00; H02S 50/00;  
H02S 60/00; H02S 99/00; F21Y 2101/00;  
F21Y 2103/00; F21Y 2105/00; F21Y  
2107/00; F21Y 2109/00; F21Y 2111/00;  
F21Y 2113/00; F21Y 2115/00; F21S  
2/00; F21S 11/00; F21S 13/00; F21S  
15/00

See application file for complete search history.

(56) **References Cited**

U.S. PATENT DOCUMENTS

D422,726 S \* 4/2000 Ford ..... D26/37  
D424,086 S \* 5/2000 Choi ..... D16/202  
D544,388 S \* 6/2007 Chisholm ..... D10/114.2  
D698,061 S \* 1/2014 Burke ..... D26/67

D791,374 S \* 7/2017 Liang ..... D26/24  
D831,268 S \* 10/2018 Johnson ..... D26/142  
D882,144 S \* 4/2020 Zhu ..... D26/67  
D888,303 S \* 6/2020 Kawakami ..... D26/39  
D900,364 S \* 10/2020 Ford ..... D26/37  
D905,895 S \* 12/2020 Johnson ..... D26/89

FOREIGN PATENT DOCUMENTS

CN 201830434406.X \* 1/2019  
CN 201830774391.1 \* 7/2019

OTHER PUBLICATIONS

2 Pack Solar Deck Light. By Fusion. No Date. Found online [May 19, 2021]. <http://www.fusionproducts.ca/public/show.php?id=164> (Year: 2021).\*

(Continued)

*Primary Examiner* — Marissa J Cash

*Assistant Examiner* — William B Melliar

(74) *Attorney, Agent, or Firm* — Millen White Zelano & Branigan; William Nixon

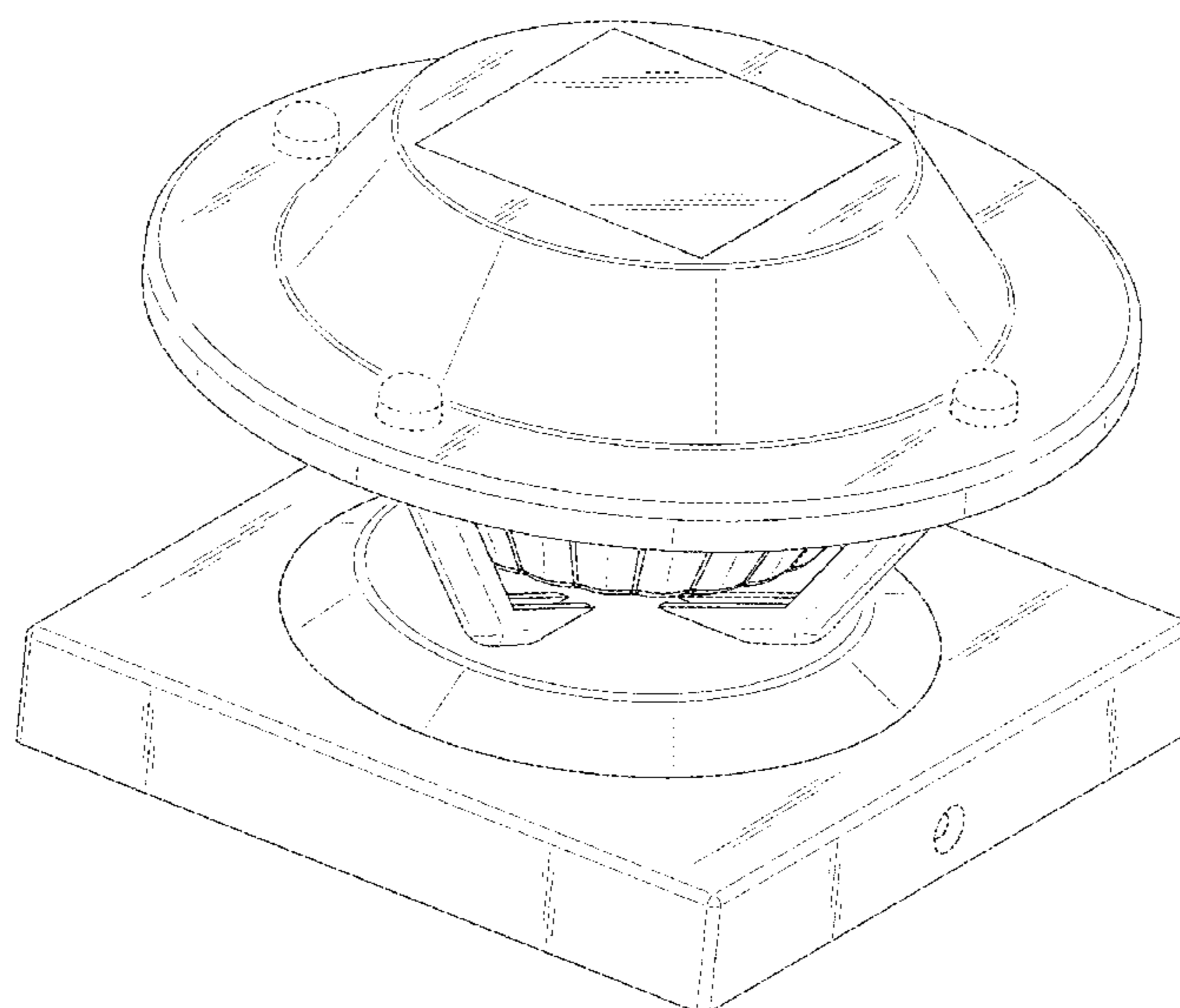
(57) **CLAIM**

The ornamental design for a light device with a solar panel, as shown and described.

**DESCRIPTION**

FIG. 1 illustrates a top perspective view of the light device with a solar panel according to my new design;  
FIG. 2 illustrates a front elevational view thereof;  
FIG. 3 illustrates a rear elevational view thereof;  
FIG. 4 illustrates a right side elevational view thereof;  
FIG. 5 illustrates a left side elevational view thereof;  
FIG. 6 illustrates a top plan view thereof; and,  
FIG. 7 illustrates a bottom plan view thereof.  
The broken lines in the drawings depict portions of the light device with a solar panel that form no part of the claimed design.

**1 Claim, 7 Drawing Sheets**



(56)

**References Cited**

OTHER PUBLICATIONS

KZOBYD 2 Pack Solar Lights Replacement Top. By KZOBYD. Dated Mar. 19, 2021. Found online [May 19, 2021]. <https://www.amazon.com/KZOBYD-Replacement-Lantern-Outdoor-Lanterns/dp/B08G85PG6N/> (Year: 2021).\*

Siedinlar Solar Deck Lights. By Siedinlar. Dated Nov. 6, 2020. Found online [May 19, 2021]. [amazon.com/Siedinlar-Outdoor-Driveway-Markers-Lighting/dp/B08H1J5PB7/ref=sr\\_1\\_15?dchild=1&keywords=siedinlar+solar+deck+light&qid=1621440402&sr=8-15](https://www.amazon.com/Siedinlar-Outdoor-Driveway-Markers-Lighting/dp/B08H1J5PB7/ref=sr_1_15?dchild=1&keywords=siedinlar+solar+deck+light&qid=1621440402&sr=8-15) (Year: 2020).\*

Davinci Lightning Flexfit Solar Outdoor Post Cap Lights. By Davinci Lighting. Dated Oct. 11, 2017. Found online [May 19, 2021]. <https://www.amazon.com/Davinci-Solar-Post-Lights-Lighting/dp/B0719TFSP2/> (Year: 2017).\*

\* cited by examiner

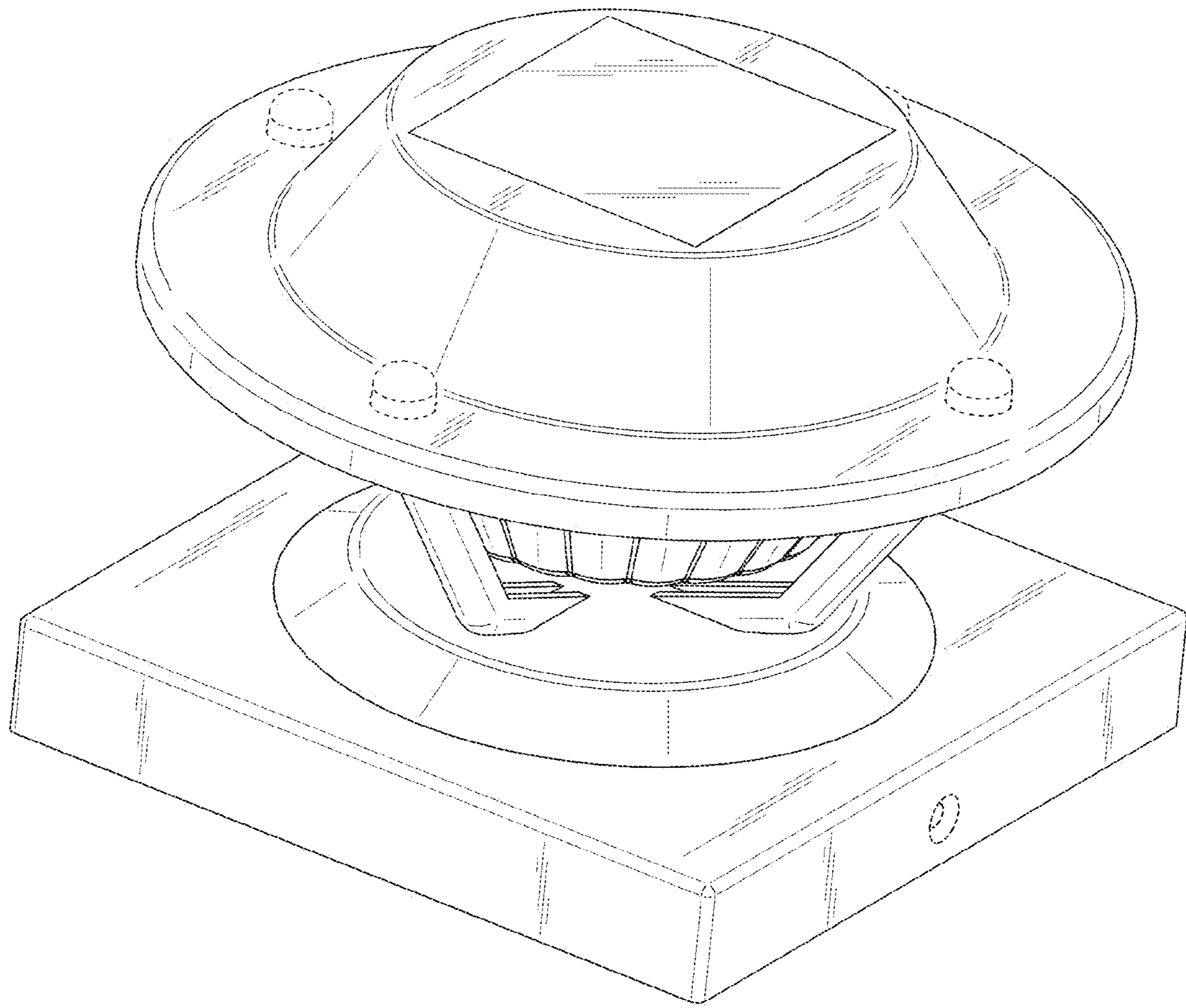


FIG. 1

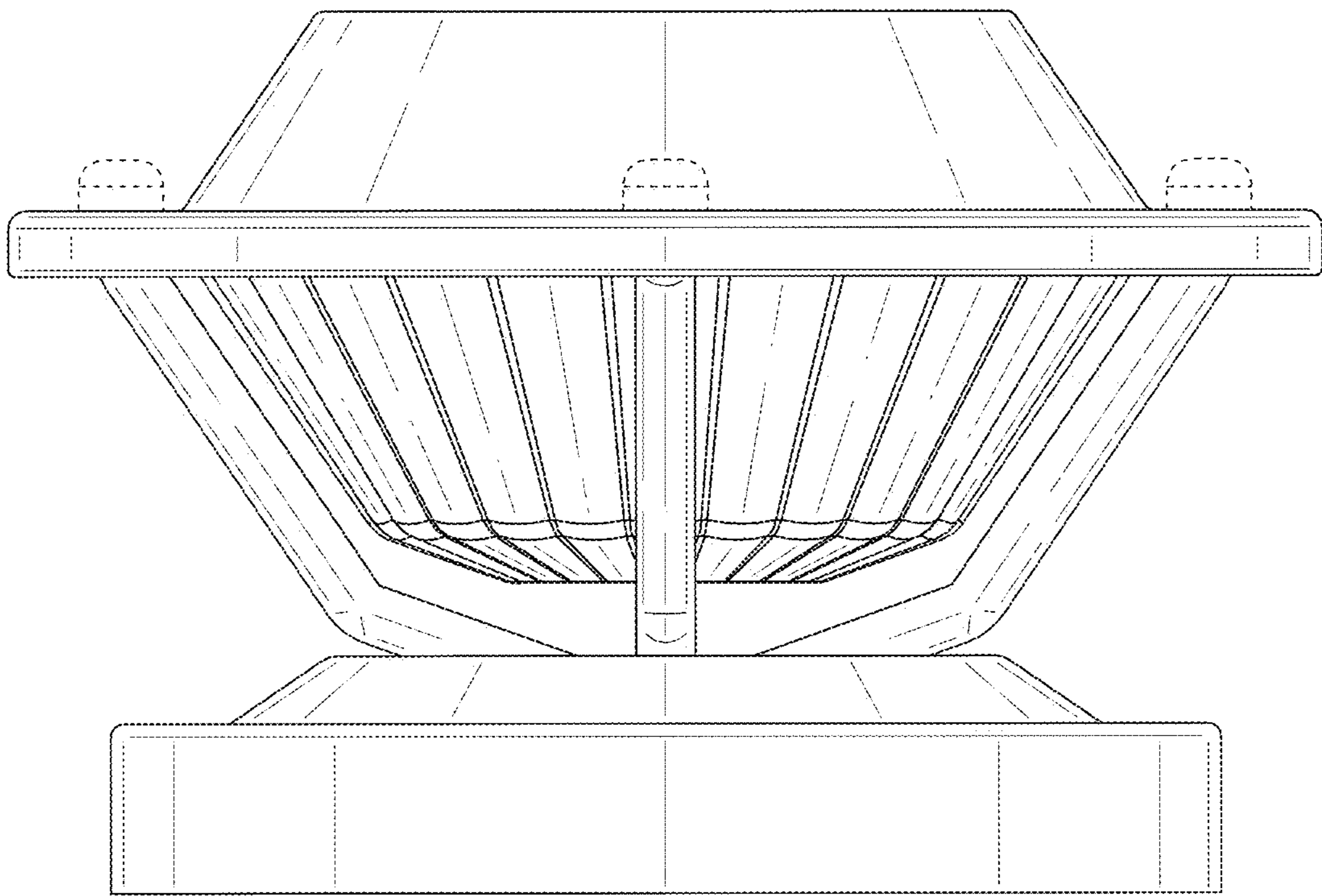


FIG. 2



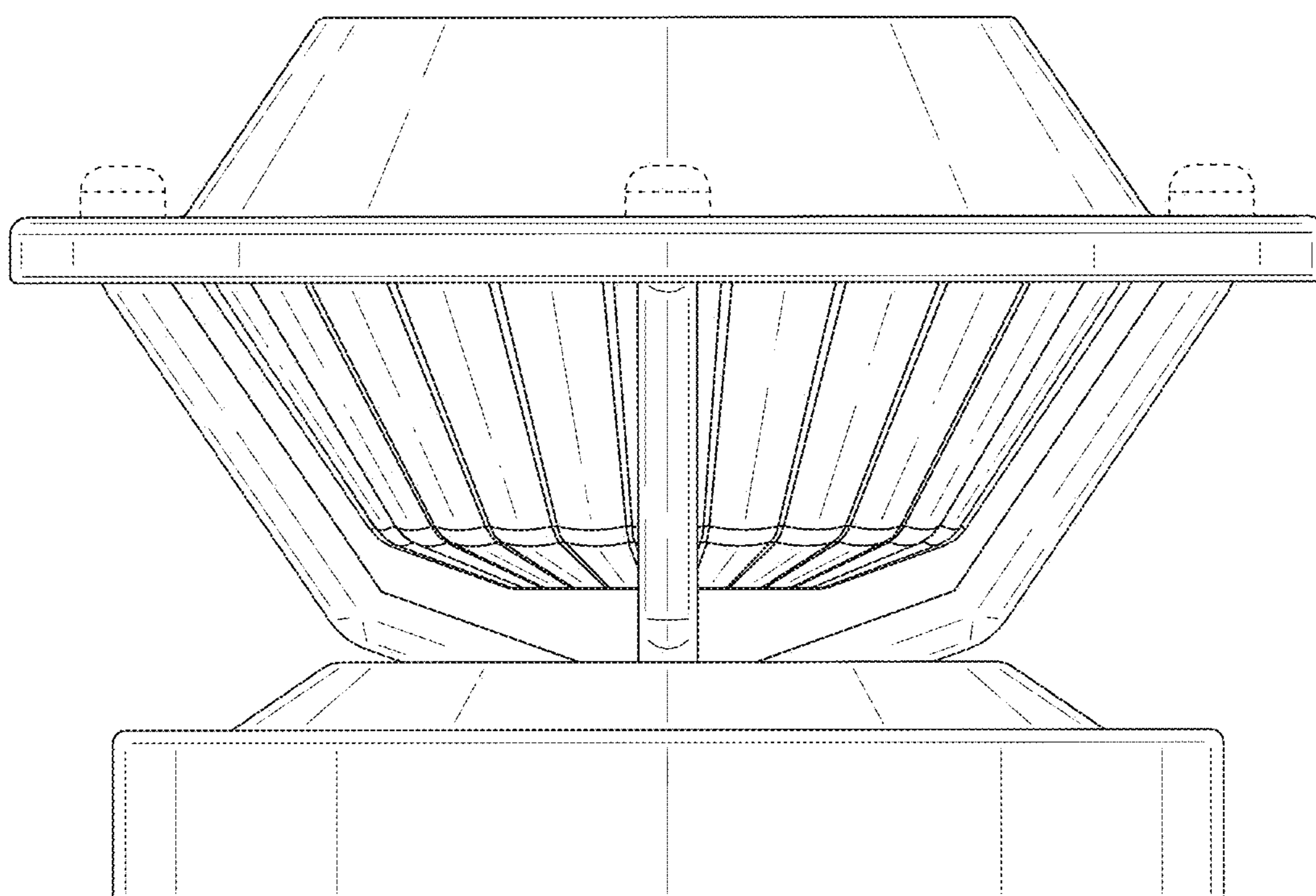


FIG. 3

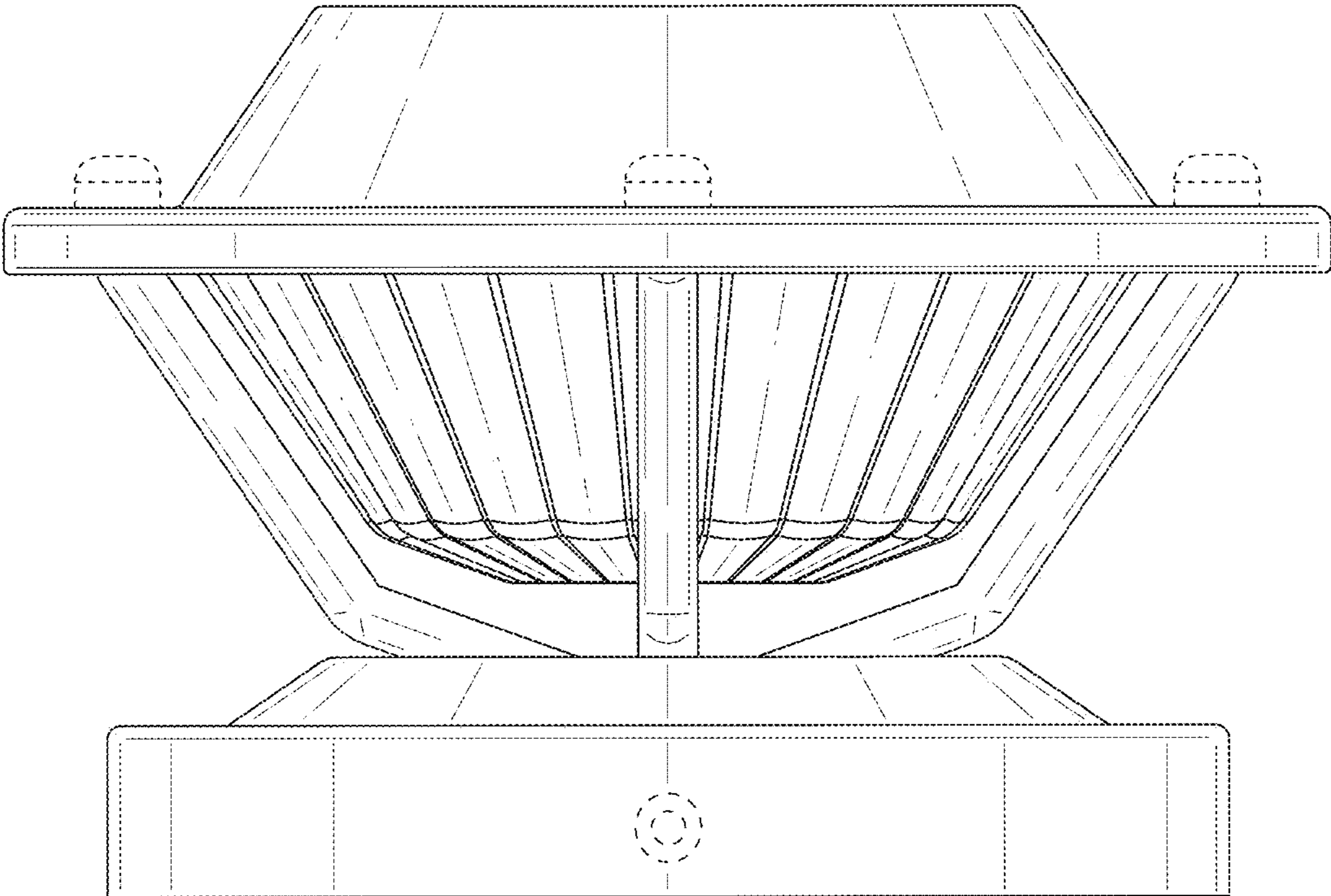


FIG. 4

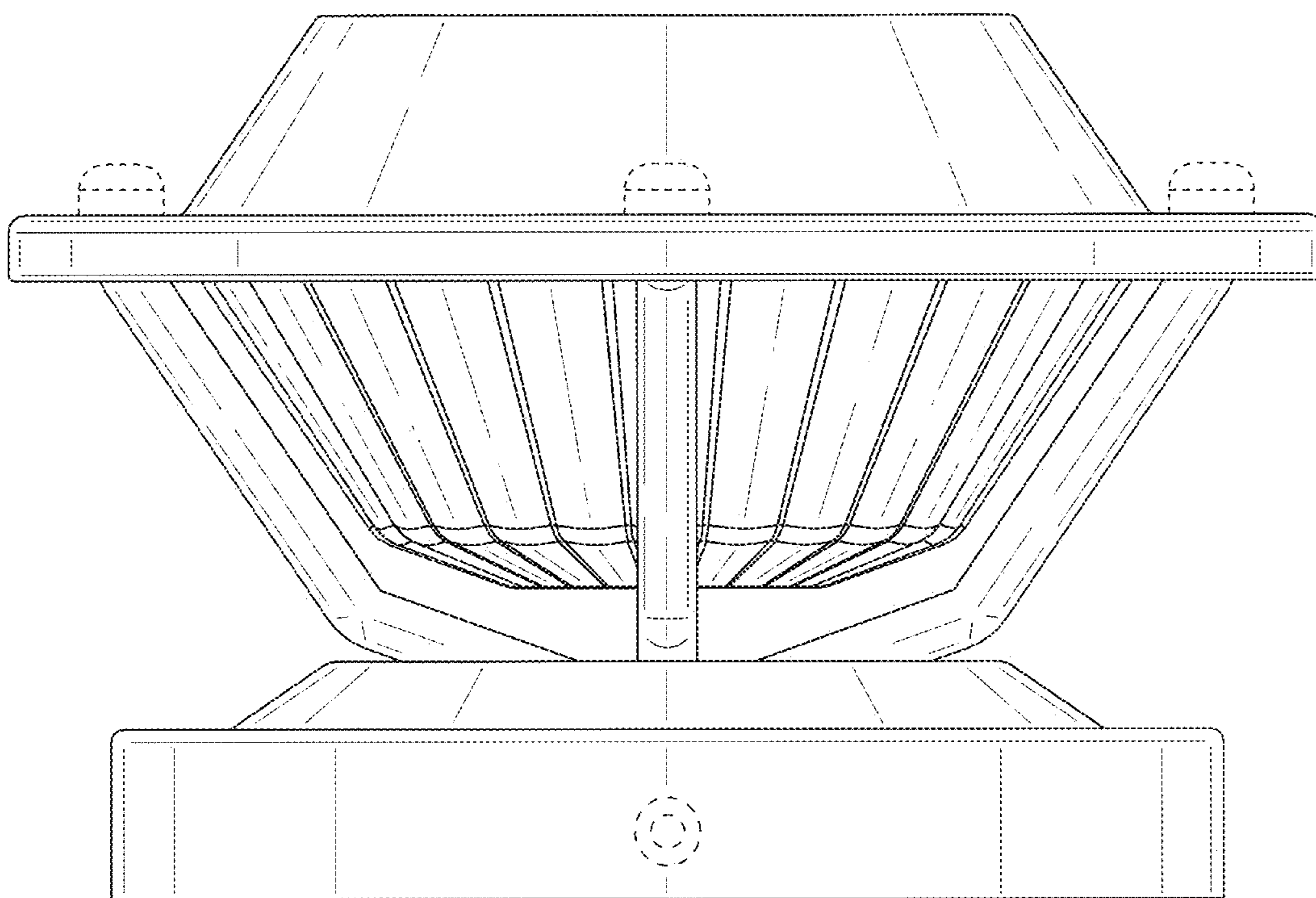


FIG. 5

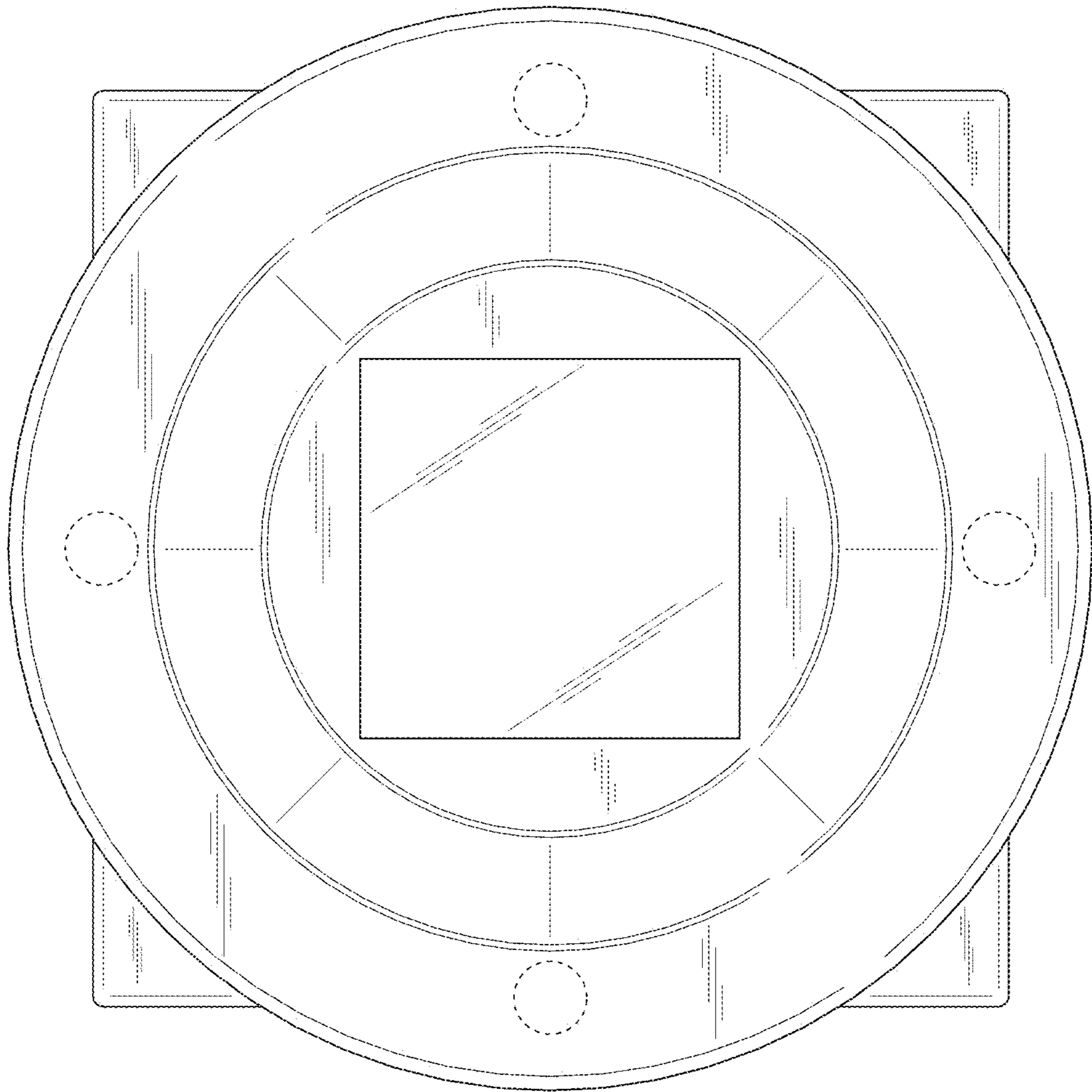


FIG. 6



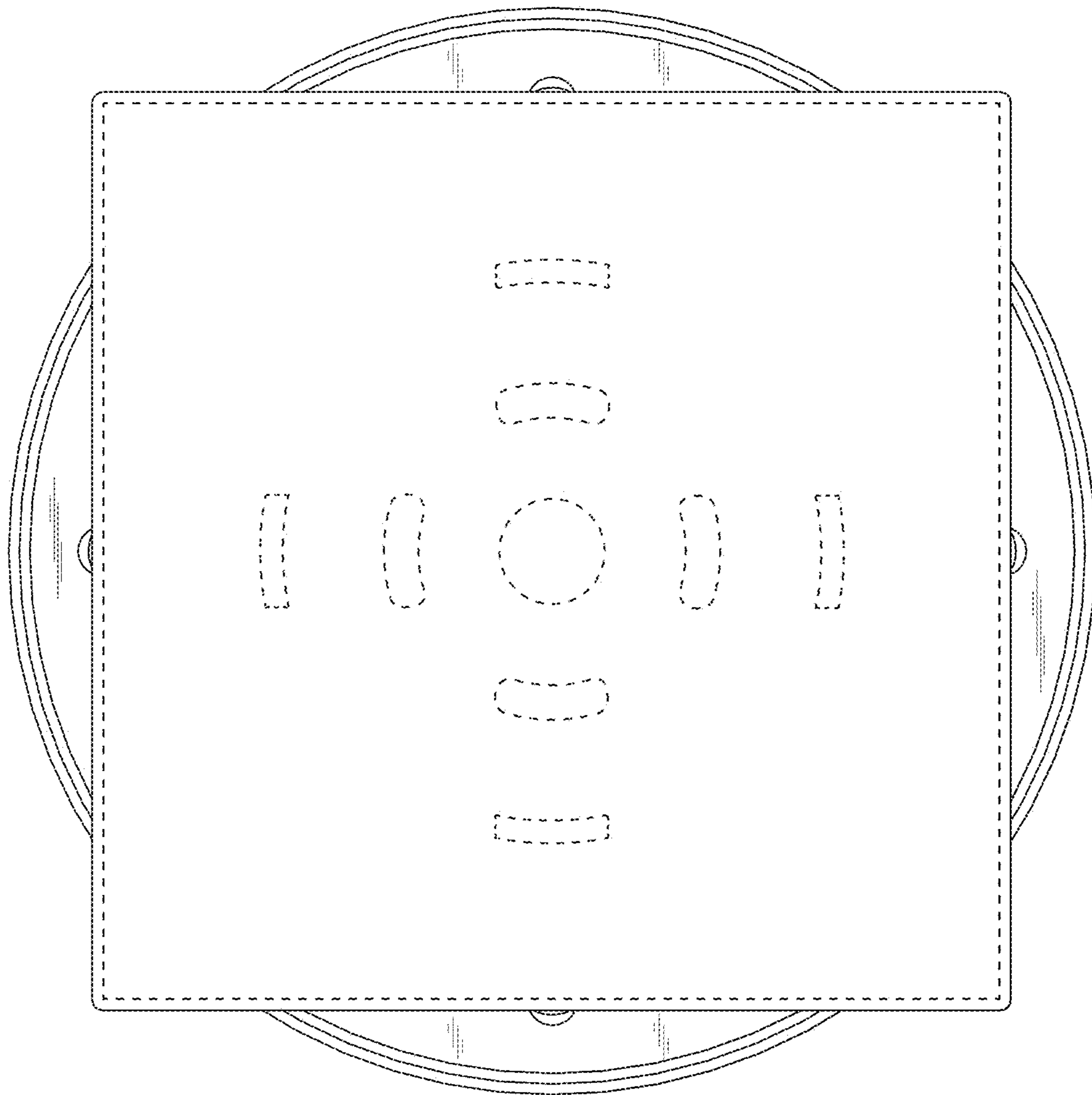


FIG. 7