



US00D930874S

(12) **United States Design Patent**
Yu et al.

(10) **Patent No.:** **US D930,874 S**

(45) **Date of Patent:** **** Sep. 14, 2021**

(54) **WORK LAMP**

(71) Applicant: **NINGBO WELL ELECTRIC APPLIANCE CO., LTD.**, Ningbo (CN)

(72) Inventors: **Guolin Yu**, Ningbo (CN); **Xiaofeng Zhu**, Ningbo (CN)

(73) Assignee: **NINGBO WELL ELECTRIC APPLIANCE CO., LTD.**, Ningbo (CN)

(**) Term: **15 Years**

(21) Appl. No.: **29/663,481**

(22) Filed: **Sep. 16, 2018**

(30) **Foreign Application Priority Data**

Aug. 28, 2018 (CN) 201830481207.4

(51) **LOC (13) Cl.** **26-02**

(52) **U.S. Cl.**
USPC **D26/43**

(58) **Field of Classification Search**
USPC D26/37-51
CPC F21L 2003/00; F21L 4/005; F21L 4/025; F21L 4/027; F21L 4/04; F21L 4/08; F21L 13/00; F21L 13/08; F21L 14/02; F21L 19/00; F21L 2/00; F21L 4/00-4/085; F21L 15/00-15/14; F21L 2001/00; F21L 2005/00; F21L 25/00
See application file for complete search history.

(56) **References Cited**

U.S. PATENT DOCUMENTS

D538,456 S * 3/2007 Trigiani D26/42
D546,491 S * 7/2007 Shiu D26/49
D567,977 S * 4/2008 Jianwei D26/42
D567,978 S * 4/2008 Jianwei D26/42
D604,877 S * 11/2009 Kung D26/49
D606,218 S * 12/2009 Jiang D26/42

D612,966 S * 3/2010 Jiang D26/42
D620,627 S * 7/2010 Kovacik D26/42
D698,056 S * 1/2014 Forbes D26/49
D698,959 S * 2/2014 Shen D26/46
D728,838 S * 5/2015 Maglica D26/49
D734,519 S * 7/2015 Shen D26/49
D737,488 S * 8/2015 Chen D26/42
D739,063 S * 9/2015 Su D26/42
D757,973 S * 5/2016 Zhang D26/44
D760,928 S * 7/2016 Bao D26/24
D799,096 S * 10/2017 Bao D26/65
D811,635 S * 2/2018 Urry D26/42
D893,784 S * 8/2020 Wu D26/49

OTHER PUBLICATIONS

Neiko Cordless Work light,[online], [Site visited Sep. 22, 2020]. Available from the internet <URL:https://www.amazon.com/Neiko-Cordless-Technology-Rechargeable-Attachments/dp/B0786SDZ1K/ref=sr_1_104?dchild=1&keywords=worklight&qid=1600808484&sr=8-104>4 pages (Year: 2017).*

* cited by examiner

Primary Examiner — Michelle E. Wilson

(57) **CLAIM**

The ornamental design for a work lamp, as shown and described.

DESCRIPTION

FIG. 1 is a left, rear, top perspective view of a work lamp showing our new design;
FIG. 2 is a right, front, bottom perspective view thereof;
FIG. 3 is a rear elevational view thereof;
FIG. 4 is a front elevational view thereof;
FIG. 5 is a top plan view thereof;
FIG. 6 is a bottom plan view thereof;
FIG. 7 is a left side elevational view thereof; and,
FIG. 8 is a right side elevational view thereof.
In the drawings, the broken lines illustrate portions of the work lamp that form no part of the claimed design.

1 Claim, 8 Drawing Sheets

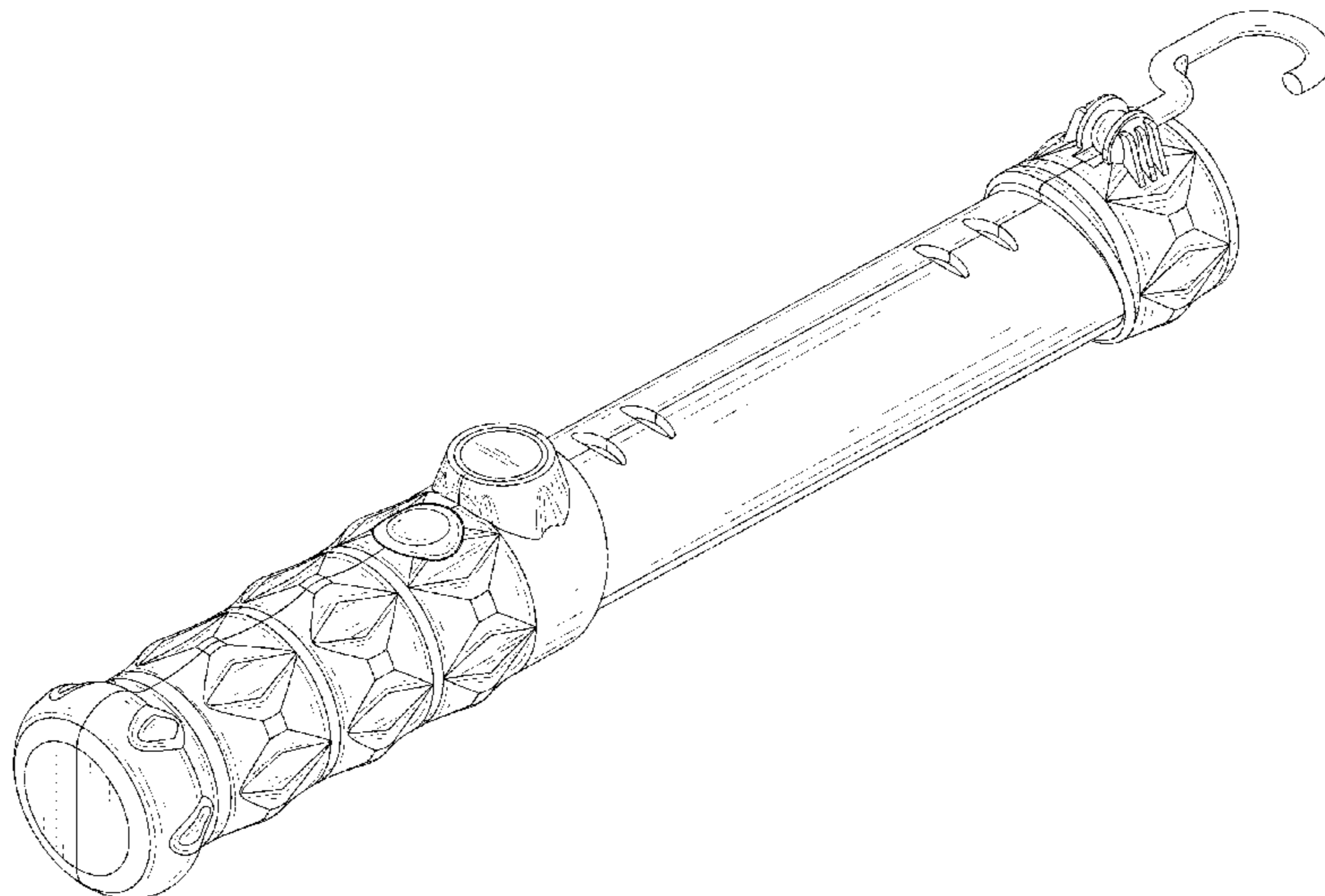




FIG. 1

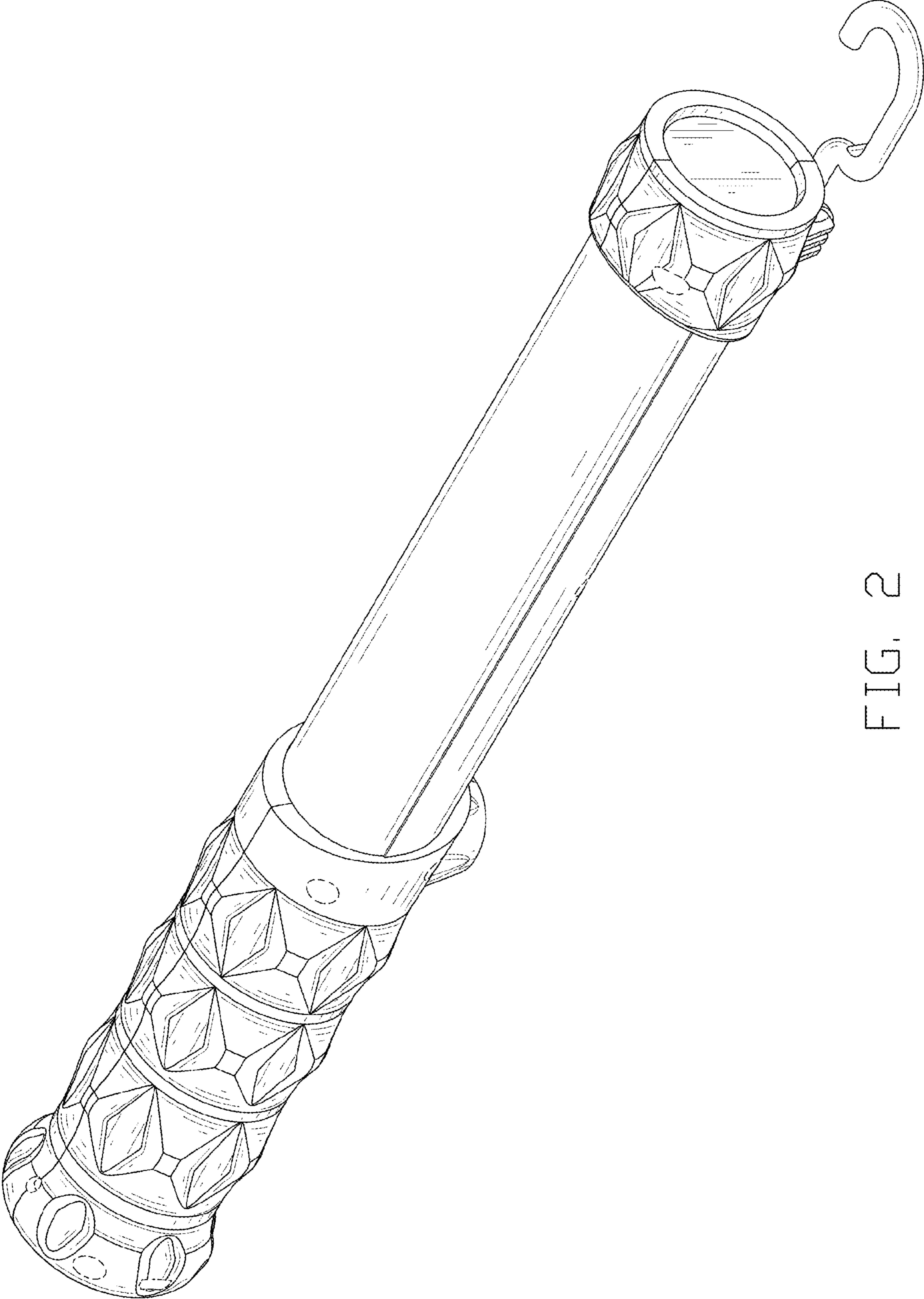


FIG. 2

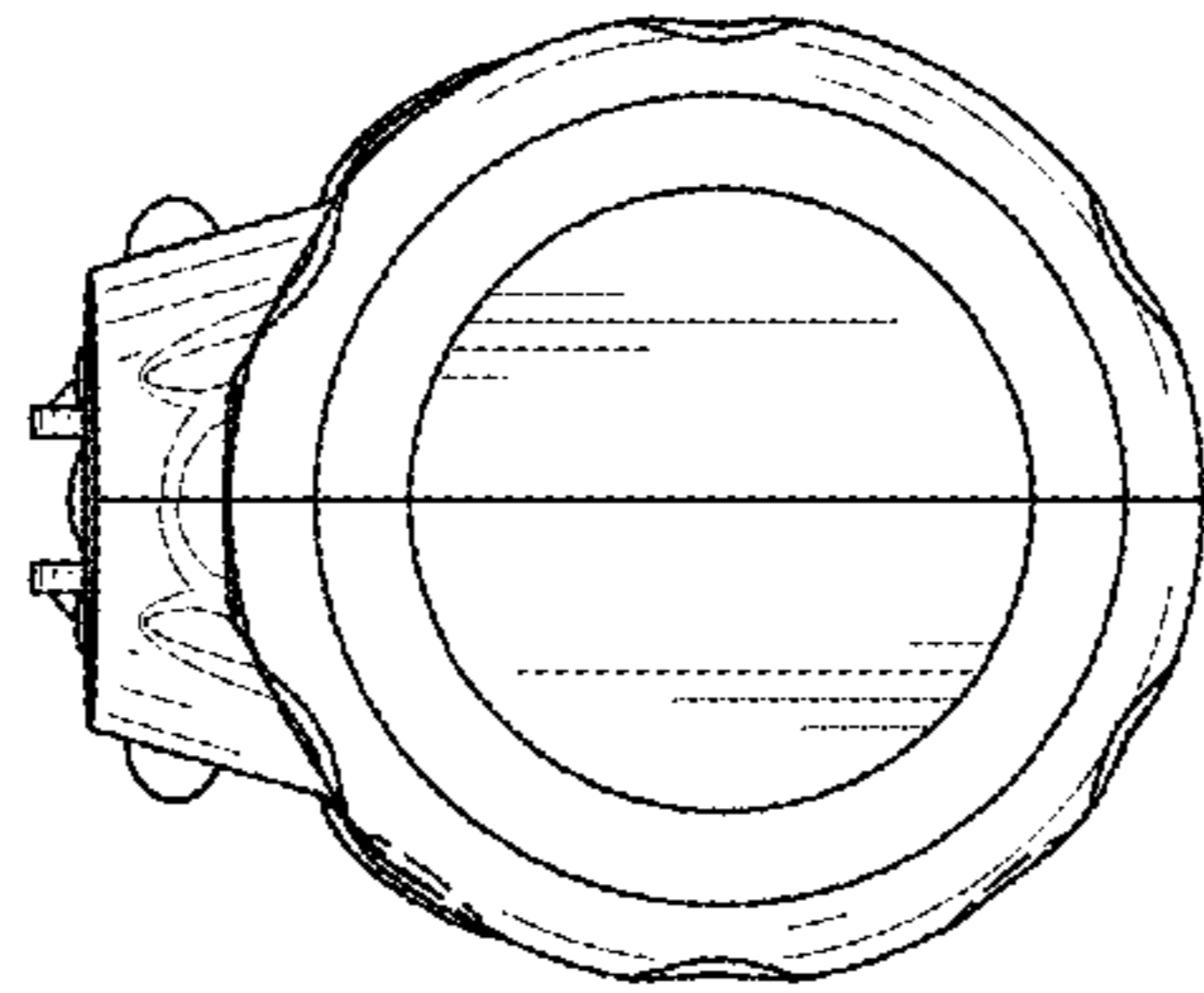


FIG. 3

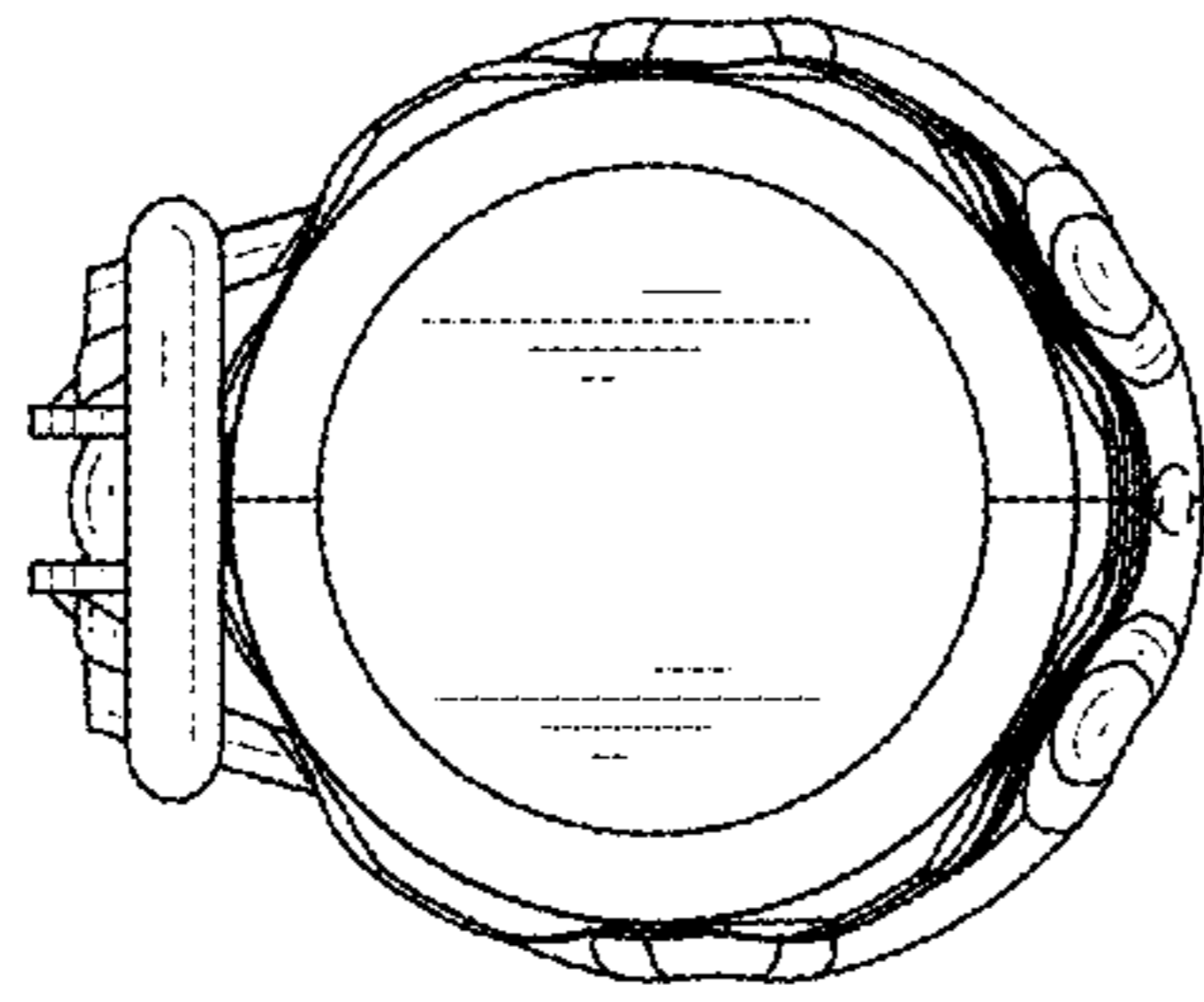


FIG. 4

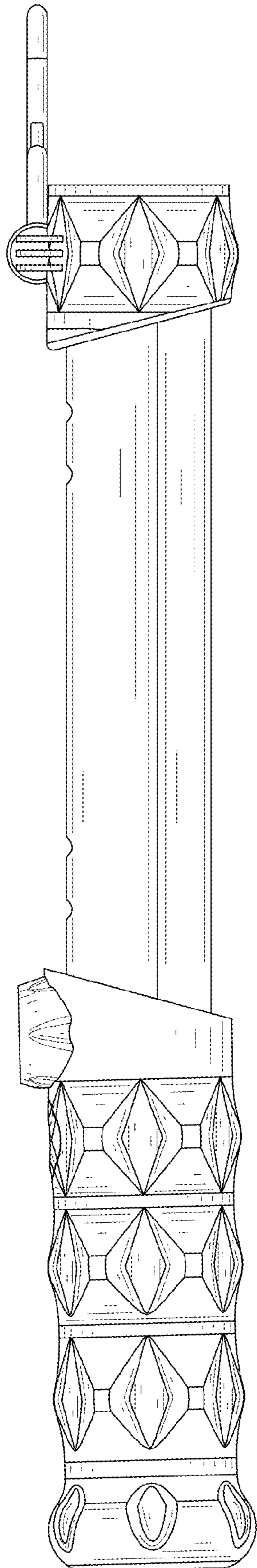


FIG. 5

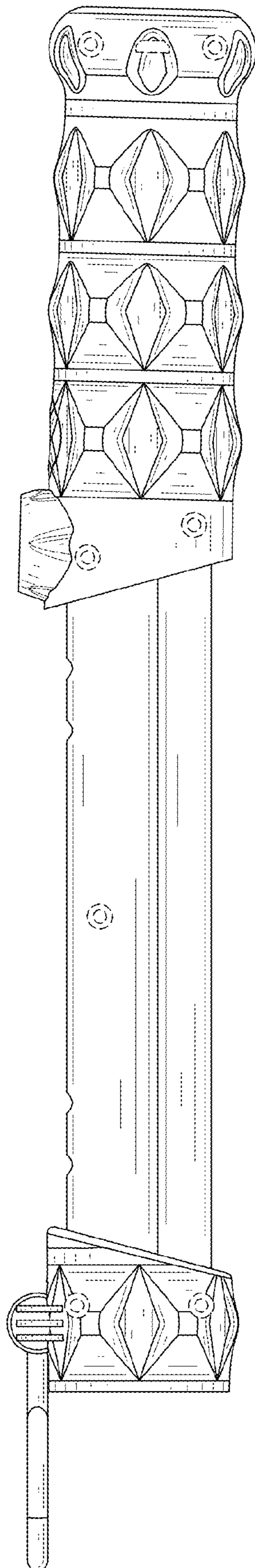


FIG. 6

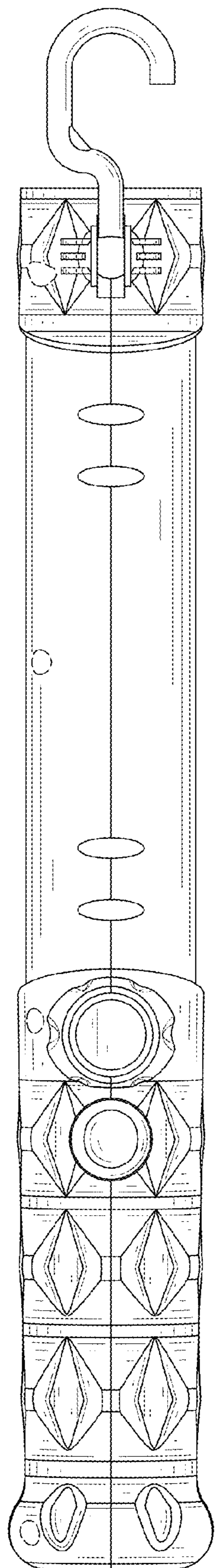


FIG. 7

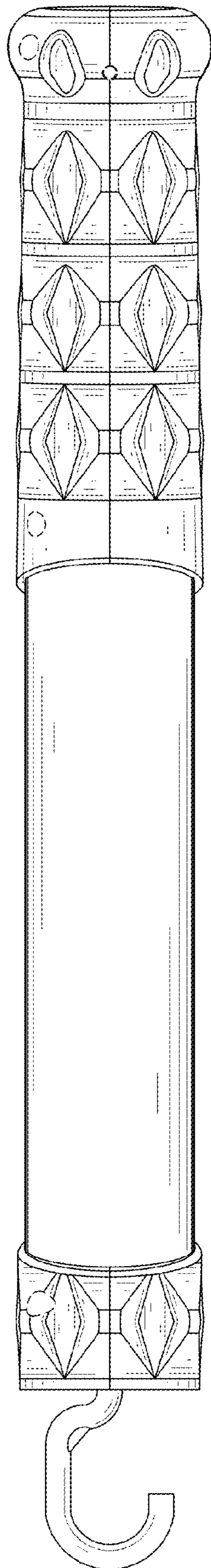


FIG. 8