



US00D930869S

(12) **United States Design Patent**  
**Mundhra et al.**

(10) **Patent No.:** **US D930,869 S**

(45) **Date of Patent:** **\*\* Sep. 14, 2021**

(54) **LIGHT**

(71) Applicant: **Siya, Inc.**, Santa Fe Springs, CA (US)

(72) Inventors: **Sudhir Mundhra**, Cerritos, CA (US);  
**Sadhana Mundhra**, Cerritos, CA (US);  
**Sonal Patel**, North Tustin, CA (US);  
**Swati Ved**, Playa del Rey, CA (US)

(73) Assignee: **Siya, Inc.**

(\*\*) Term: **15 Years**

(21) Appl. No.: **29/720,945**

(22) Filed: **Jan. 16, 2020**

(51) **LOC (13) Cl.** ..... **26-02**

(52) **U.S. Cl.**  
USPC ..... **D26/37**  
CPC ..... **F21L 4/00** (2013.01)

(58) **Field of Classification Search**  
USPC ..... D26/37-51  
CPC ..... F21L 2003/00; F21L 4/005; F21L 4/025;  
F21L 4/027; F21L 4/04; F21L 4/08; F21L  
13/00; F21L 13/08; F21L 14/02; F21L  
19/00; F21L 2/00; F21L 4/00-4/085;  
F21L 15/00-15/14; F21L 2001/00; F21L  
2005/00; F21L 25/00  
See application file for complete search history.

(56) **References Cited**

U.S. PATENT DOCUMENTS

6,799,862 B2 \* 10/2004 Galli ..... F21L 4/005  
200/60  
D593,693 S \* 6/2009 Adamany ..... D26/37

D624,220 S \* 9/2010 Shaljian ..... D26/38  
D699,380 S \* 2/2014 Weaver ..... D26/39  
D787,104 S \* 5/2017 Wu ..... D26/41  
D806,294 S \* 12/2017 Nguyen ..... D26/37  
D832,480 S \* 10/2018 Qiu ..... D26/41  
D846,780 S \* 4/2019 Reiser ..... D26/37  
D857,959 S \* 8/2019 Yu ..... D26/41  
D866,029 S \* 11/2019 Kawakami ..... D26/39  
D874,698 S \* 2/2020 Boyd ..... D26/39  
D889,713 S \* 7/2020 Tolley ..... D26/37  
D902,459 S \* 11/2020 Ni ..... D26/38

\* cited by examiner

*Primary Examiner* — Richard E Chilcot  
(74) *Attorney, Agent, or Firm* — Pacifica IP

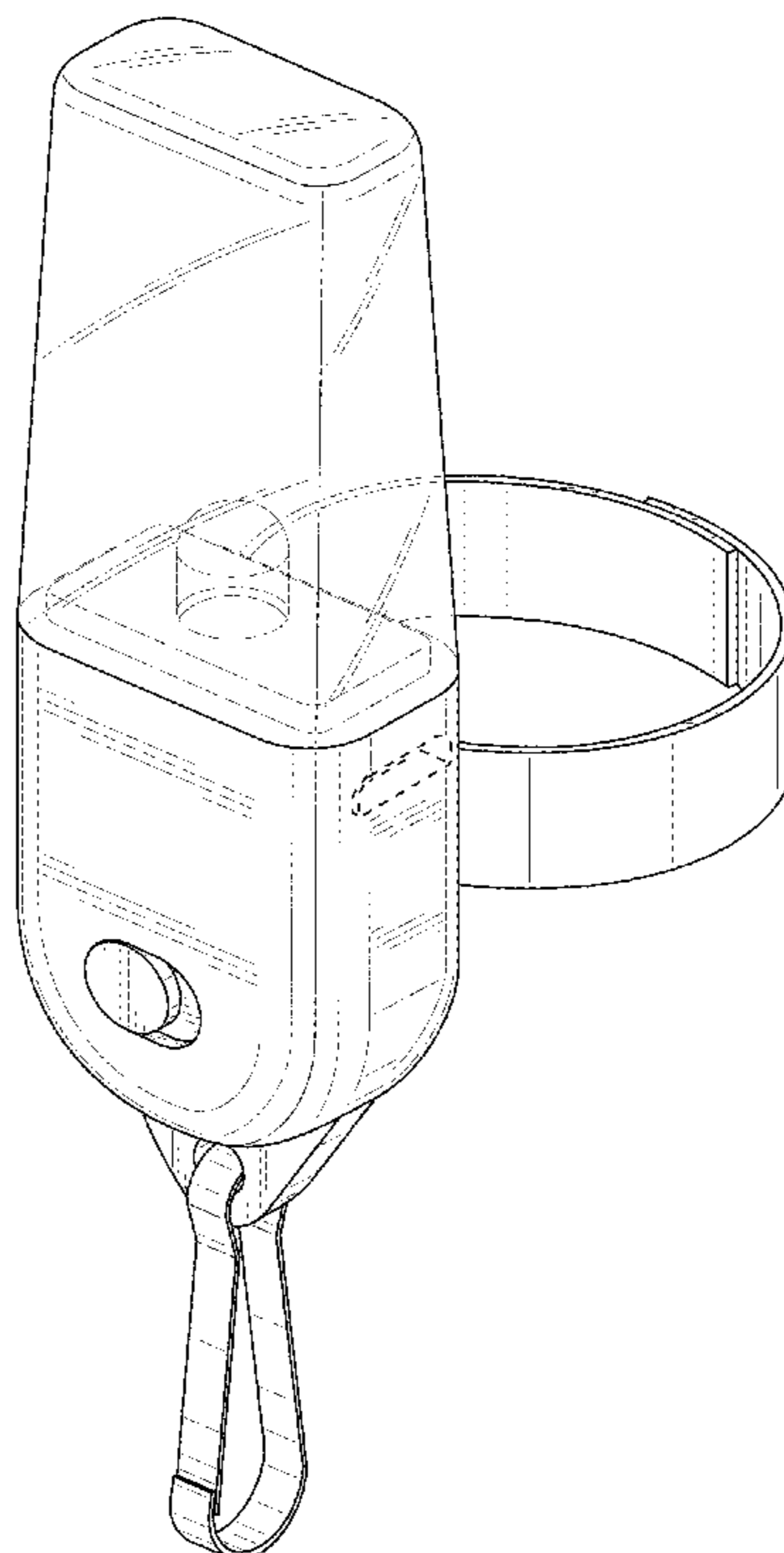
(57) **CLAIM**

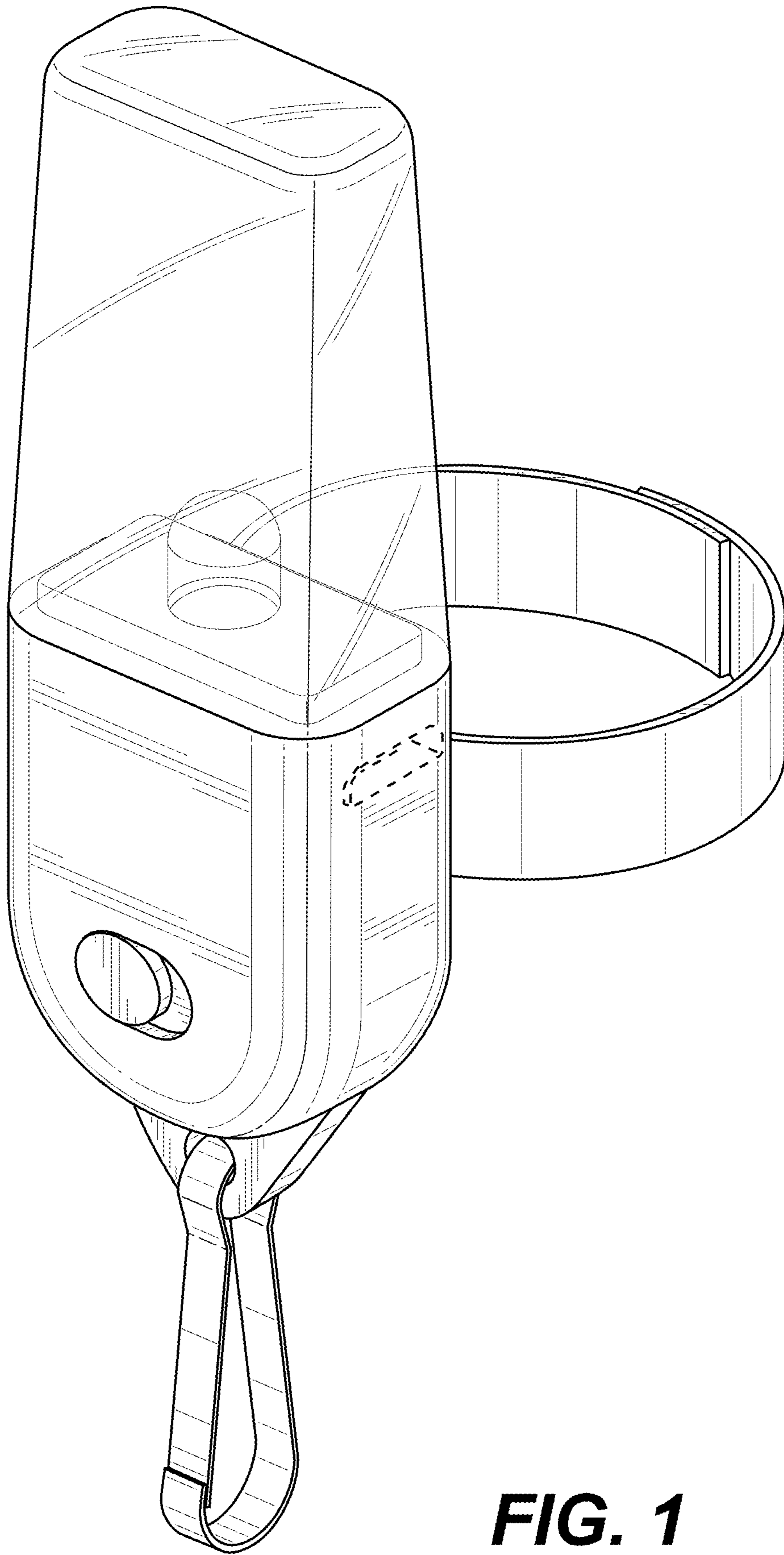
The ornamental design for a light, as shown and described.

**DESCRIPTION**

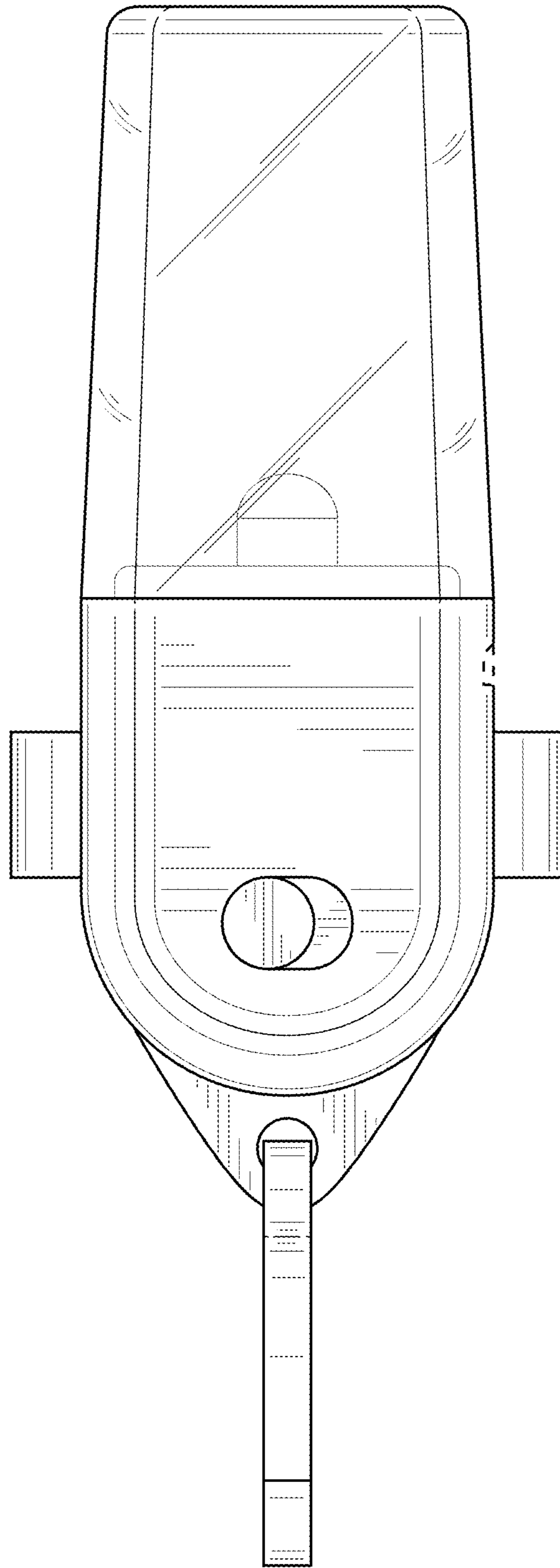
FIG. 1 shows a front perspective view of a light;  
FIG. 2 shows a front plan view of the light of FIG. 1;  
FIG. 3 shows a rear plan view of the light of FIG. 1;  
FIG. 4 shows a left plan view of the light of FIG. 1;  
FIG. 5 shows a top plan view of the light of FIG. 1;  
FIG. 6 shows a front plan view of the light of FIG. 1; and,  
FIG. 7 shows a bottom plan view of the light of FIG. 1.  
The broken lines in the drawings are for the purposes of  
illustrating elements of the light that form no part of the  
claimed design.

**1 Claim, 7 Drawing Sheets**

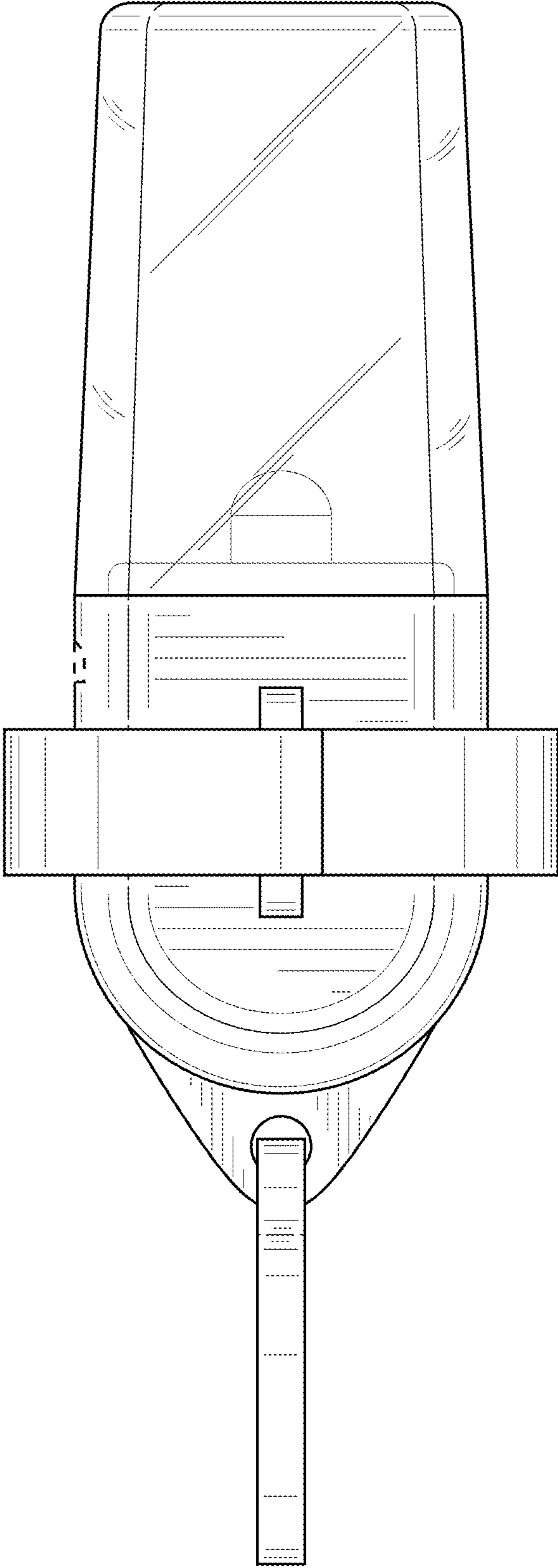




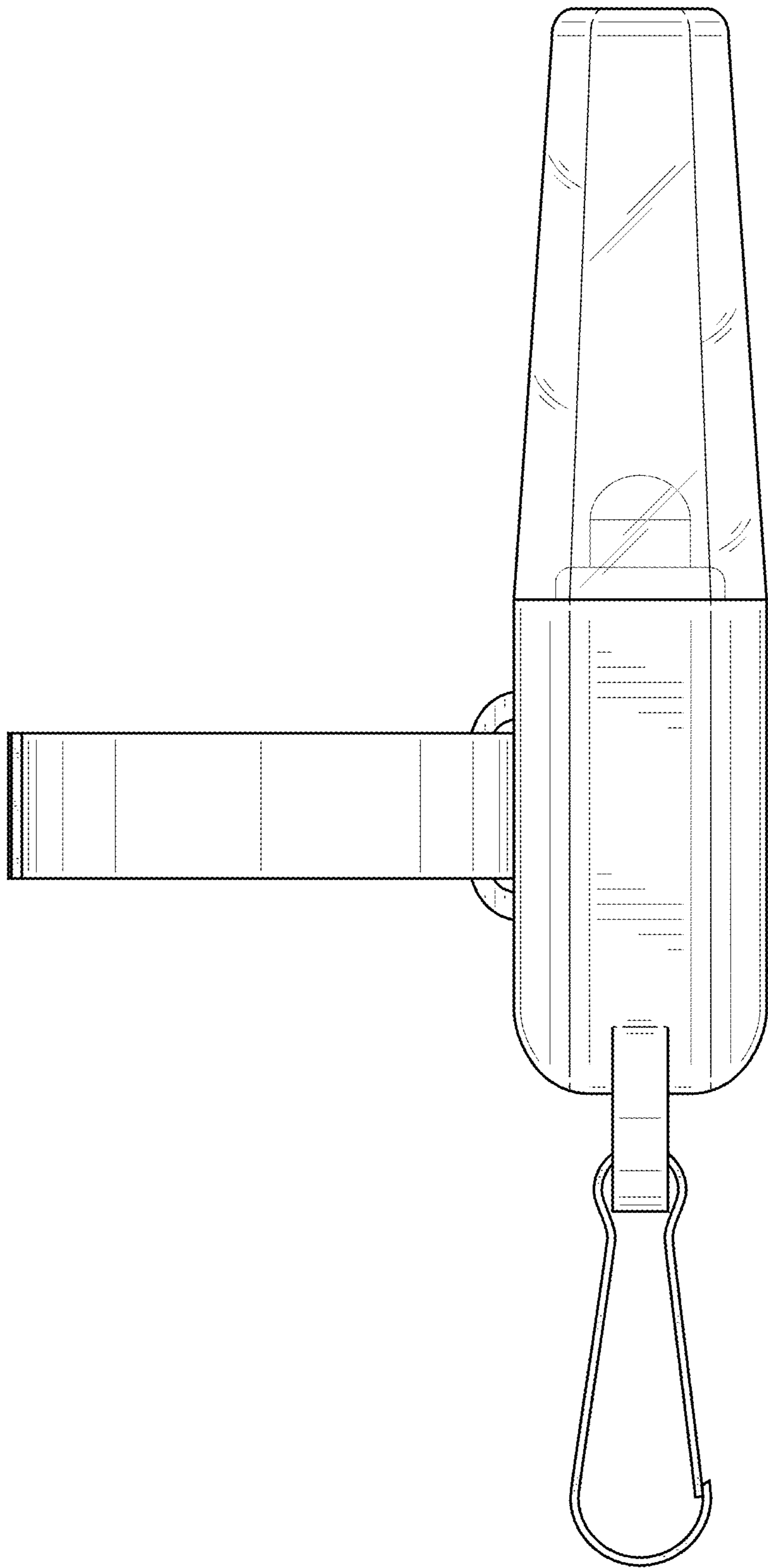
**FIG. 1**



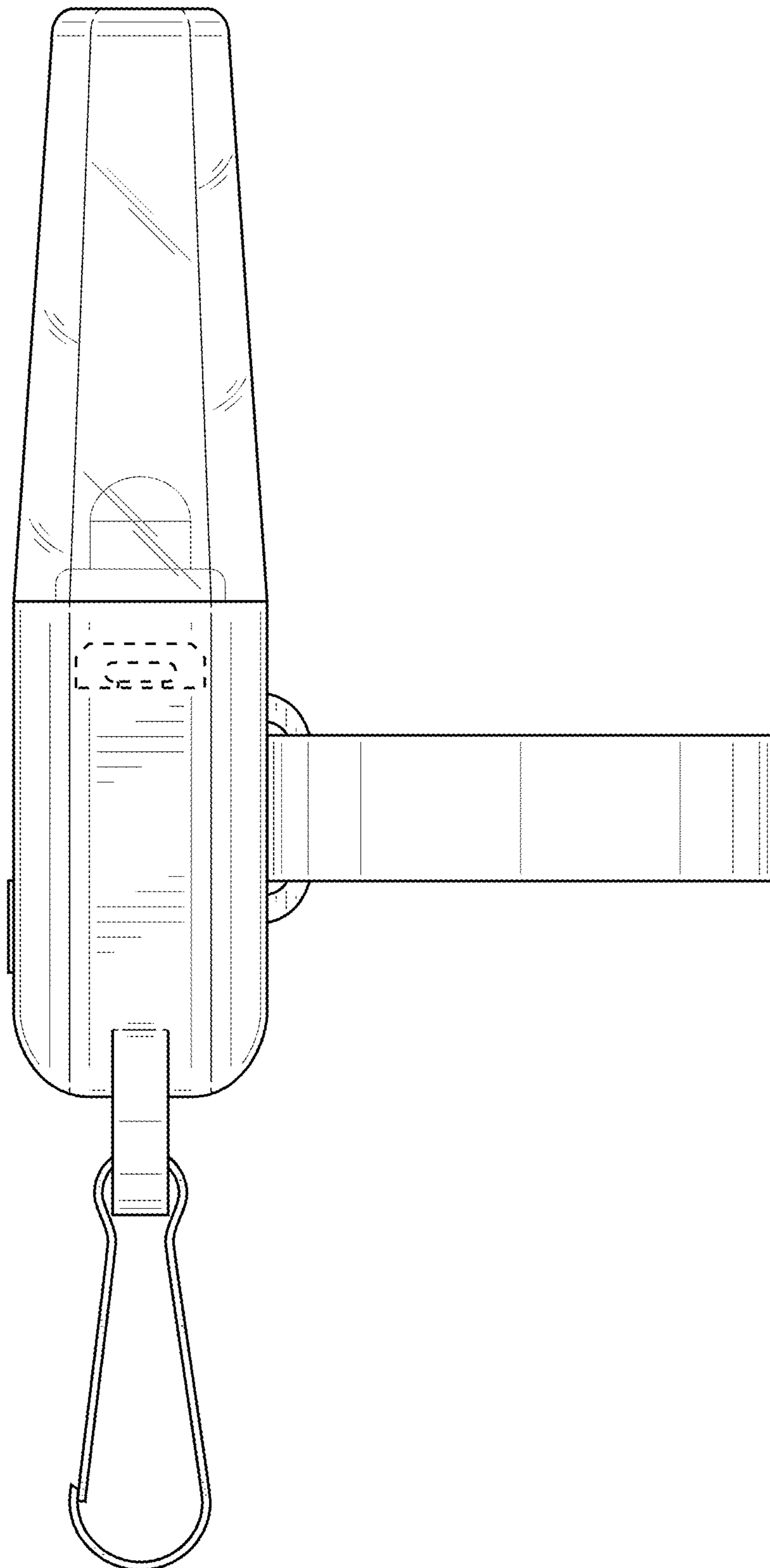
**FIG. 2**



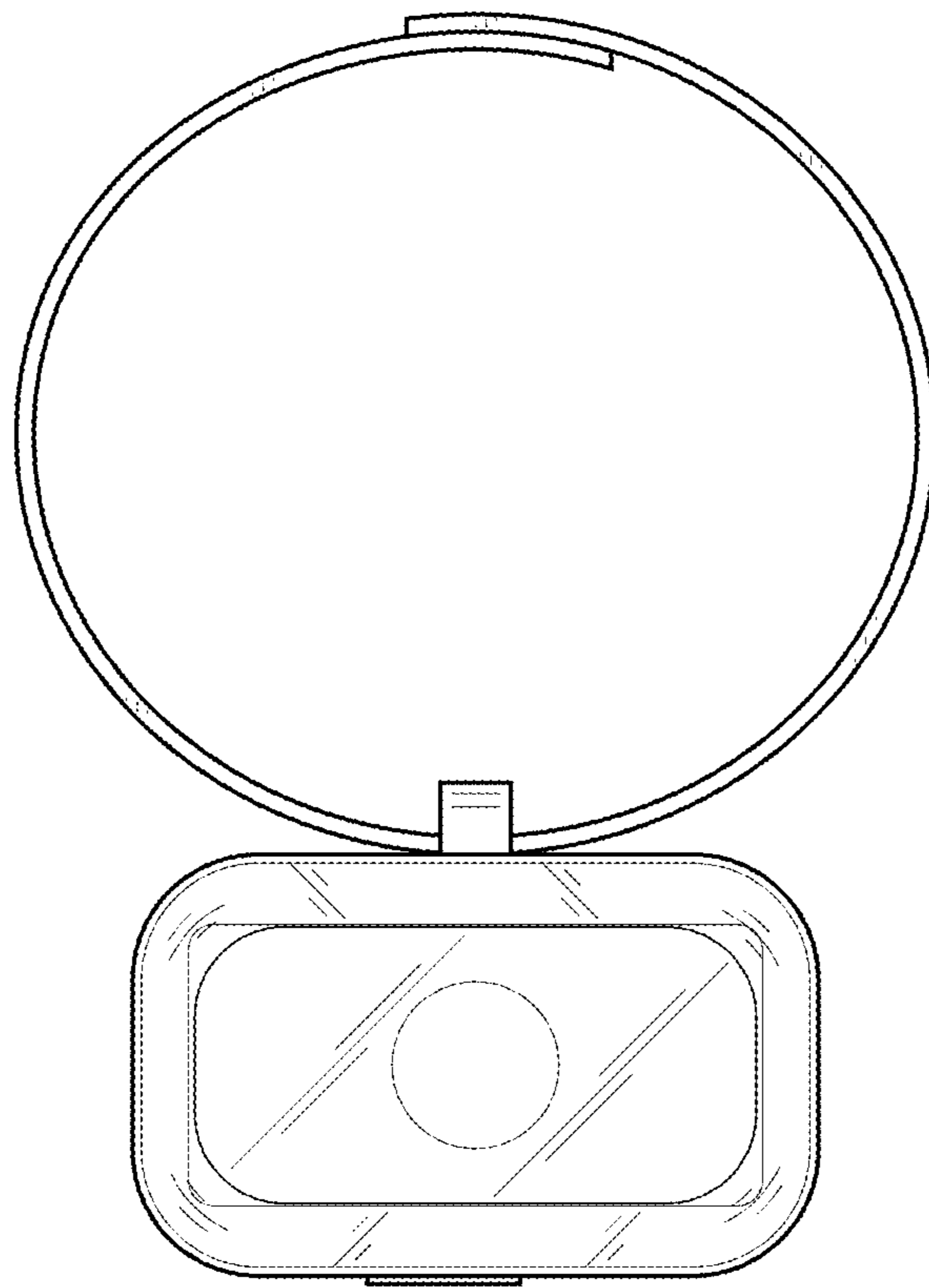
**FIG. 3**



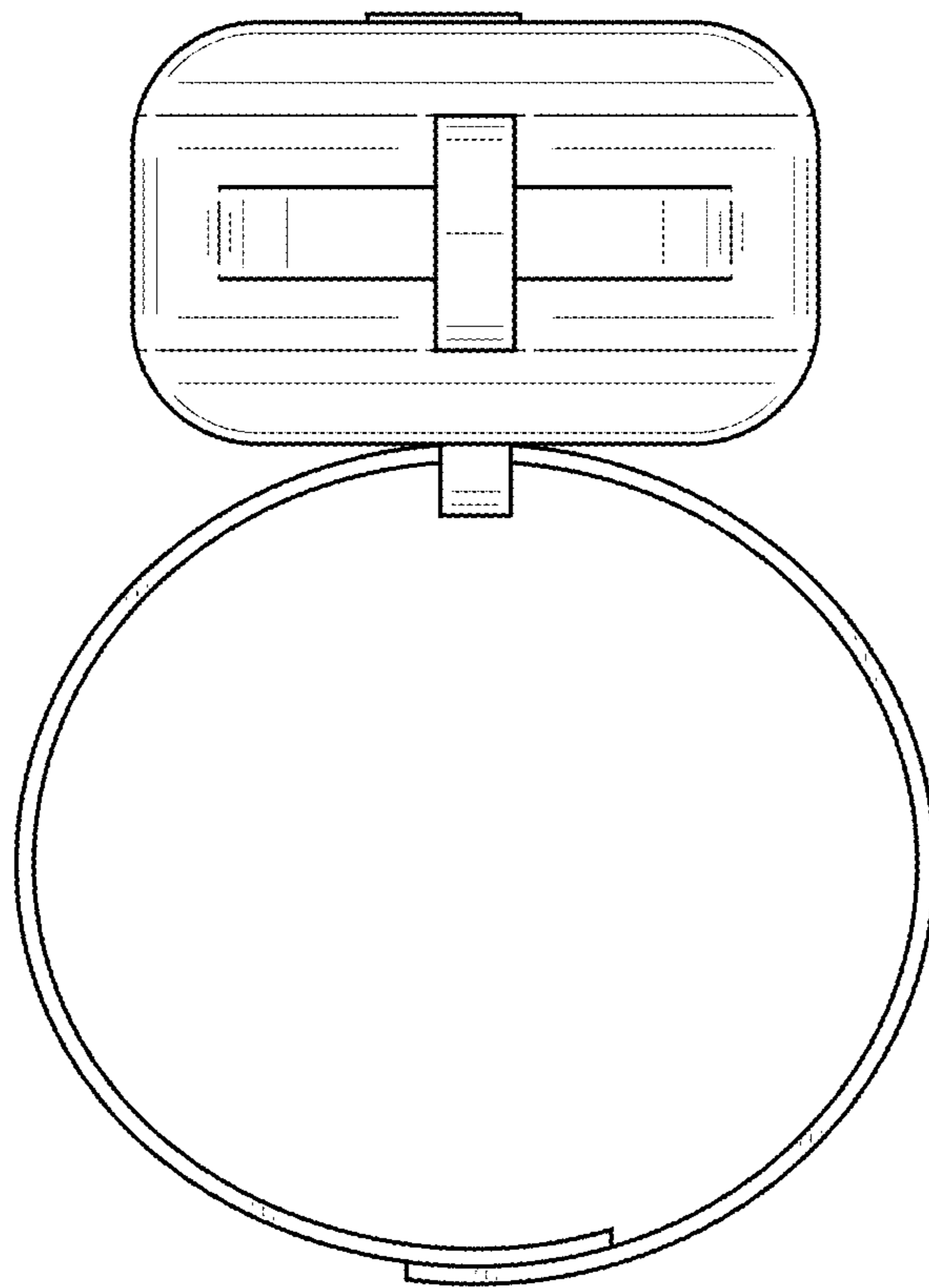
**FIG. 4**



**FIG. 5**



**FIG. 6**



**FIG. 7**