



US00D930864S

(12) **United States Design Patent**
Rho et al.

(10) **Patent No.:** **US D930,864 S**

(45) **Date of Patent:** **** Sep. 14, 2021**

(54) **HEADLAMP FOR AUTOMOBILES**

(71) Applicants: **KIA MOTORS CORPORATION**,
Seoul (KR); **HYUNDAI MOTOR**
COMPANY, Seoul (KR)

(72) Inventors: **Hyeong-Woon Rho**, Anyang-si (KR);
Dong-Hoon Choo, Suwon-si (KR);
Gwon-Hak Lee, Hwaseong-si (KR);
Moon-Soo Park, Gwangmyeong-si
(KR); **Hyun-Kyung Song**, Seoul (KR)

(**) Term: **15 Years**

(21) Appl. No.: **35/509,682**

(22) Filed: **May 10, 2019**

(80) **Hague Agreement Data**

Int. Filing Date: **May 10, 2019**

Int. Reg. No.: **DM/208745**

Int. Reg. Date: **May 10, 2019**

Int. Reg. Pub. Date: **Jun. 26, 2020**

(30) **Foreign Application Priority Data**

Jan. 28, 2019 (KR) 30-2019-0004105

(51) **LOC (13) Cl.** **26-06**

(52) **U.S. Cl.**
USPC **D26/28**

(58) **Field of Classification Search**

USPC D26/28, 29, 34-36

CPC .. F21S 41/00; F21S 41/20; F21S 41/30; F21S
43/14; F21S 43/20; F21S 43/241

See application file for complete search history.

(56) **References Cited**

U.S. PATENT DOCUMENTS

D673,313 S * 12/2012 Bieling D26/28

D681,856 S * 5/2013 Tsai D26/28

D709,219 S * 7/2014 Kim D26/28

D715,981 S *	10/2014	Moon	D26/28
D738,003 S *	9/2015	Park	D26/28
D740,980 S *	10/2015	Park	D26/28
D748,301 S *	1/2016	Sperling	D26/28
D755,425 S *	5/2016	Kong	D26/28
D759,865 S *	6/2016	Shim	D26/28
D761,985 S *	7/2016	Kayakabe	D26/28
D762,890 S *	8/2016	Wheel	D26/28
D770,649 S *	11/2016	Lim	D26/28
D783,871 S *	4/2017	Ono	D26/28
D785,829 S *	5/2017	Park	D26/28
D785,830 S *	5/2017	Park	D26/28
D833,658 S *	11/2018	Lee	D26/28
D841,846 S *	2/2019	Nakamura	D26/28
D842,510 S *	3/2019	Kang	D26/28
D843,028 S *	3/2019	Lee	D26/28

(Continued)

FOREIGN PATENT DOCUMENTS

WO RGN-D208745-001 * 6/2020

Primary Examiner — Kevin K Rudzinski

Assistant Examiner — Richard Kearney

(57) **CLAIM**

The ornamental design for a headlamp for automobiles, as shown and described.

DESCRIPTION

1. Headlamp for automobiles

1.1 : Perspective

1.2 : Front

1.3 : Back

1.4 : Left

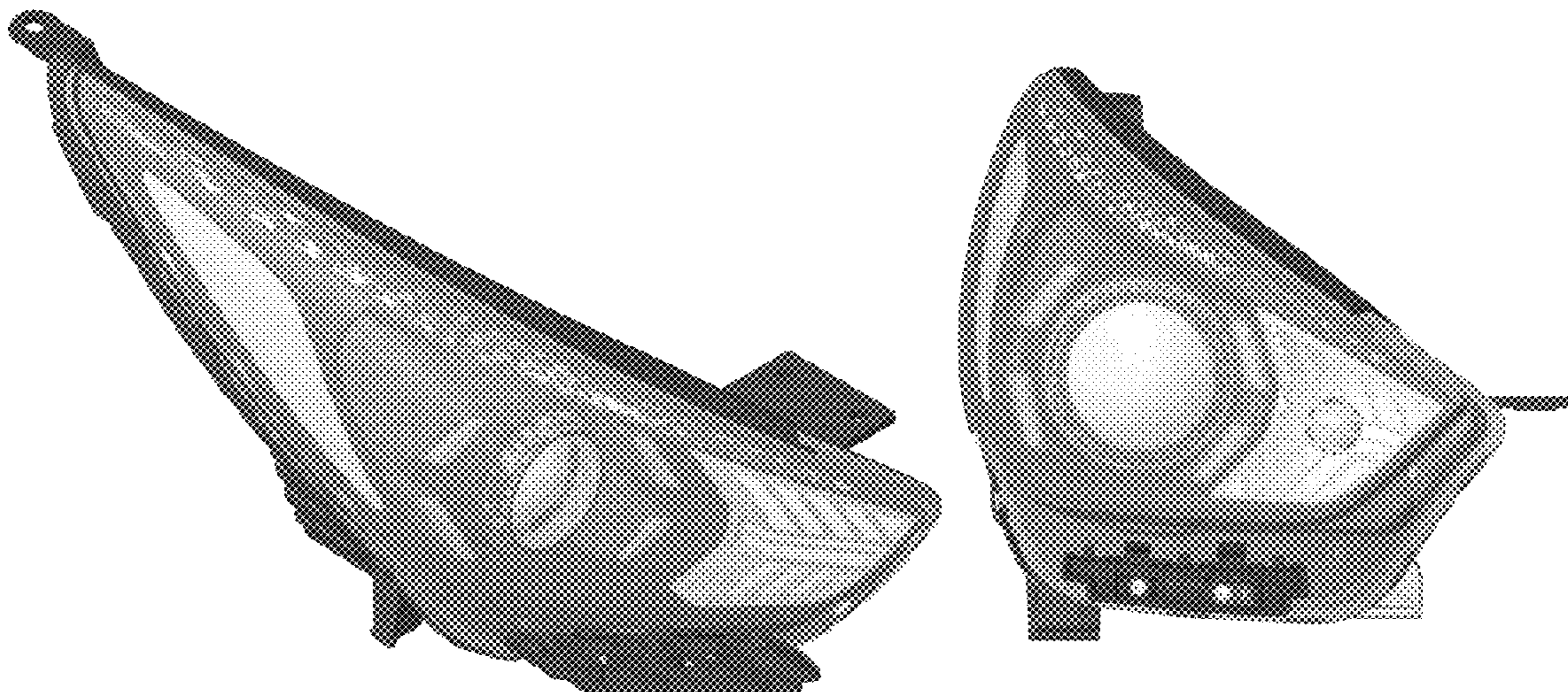
1.5 : Right

1.6 : Top

1.7 : Bottom

1.1 is a perspective view of a headlamp for automobiles showing our new design; 1.2 is a front elevation view thereof; 1.3 is a back elevation view thereof; 1.4 is a left side elevation view thereof; 1.5 is a right side elevation view thereof; 1.6 is a top plan view thereof; and 1.7 is a bottom plan view thereof.

1 Claim, 7 Drawing Sheets



(56)

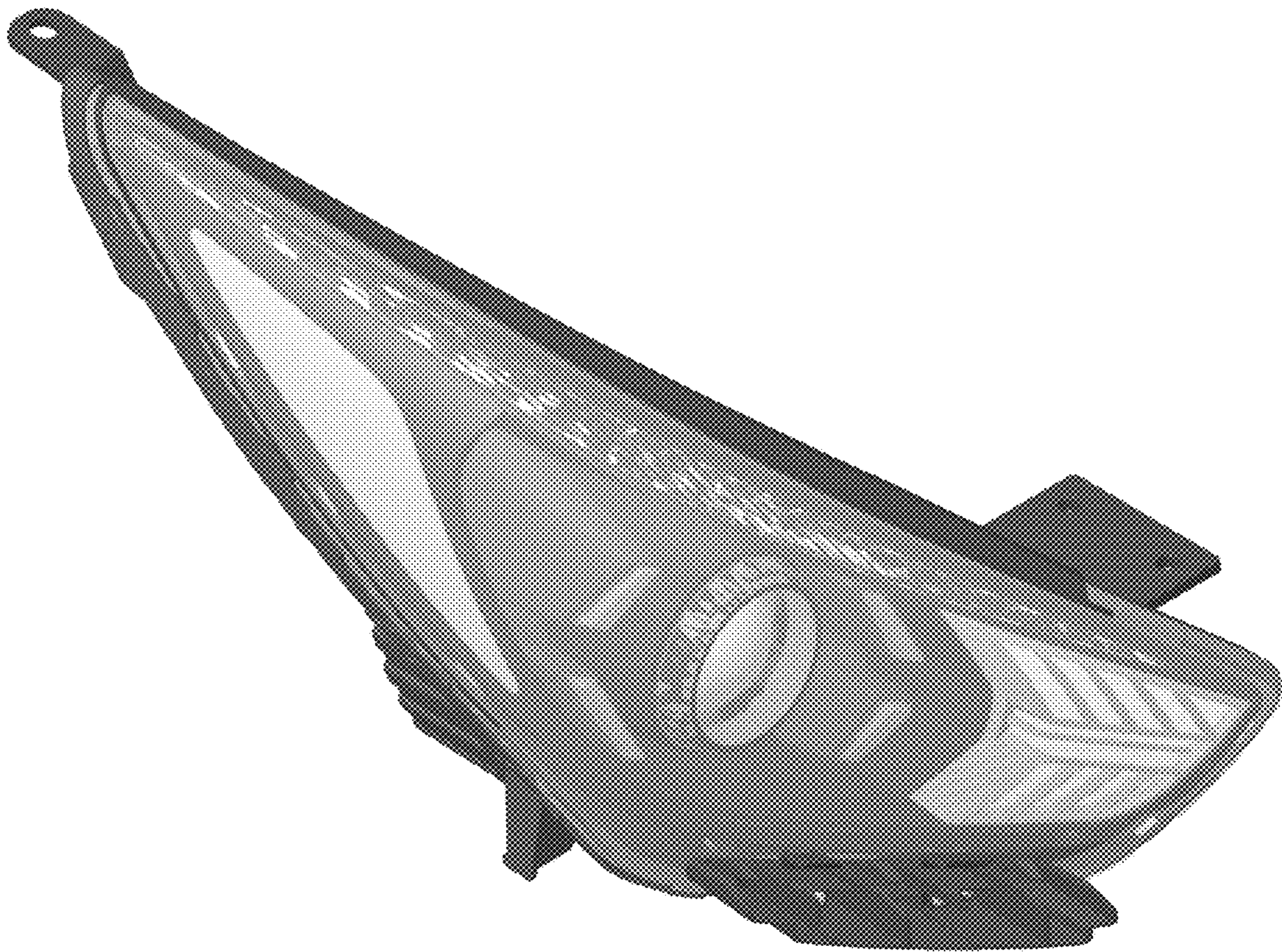
References Cited

U.S. PATENT DOCUMENTS

D849,283	S	*	5/2019	Lin	D26/28
D864,443	S	*	10/2019	Lin	D26/28
D865,244	S	*	10/2019	Kim	D26/28
D870,334	S	*	12/2019	Choi	D26/28
D870,336	S	*	12/2019	Shim	D26/36
D878,644	S	*	3/2020	Lai	D26/28
2017/0050557	A1	*	2/2017	Yajima	F21S 43/13

* cited by examiner

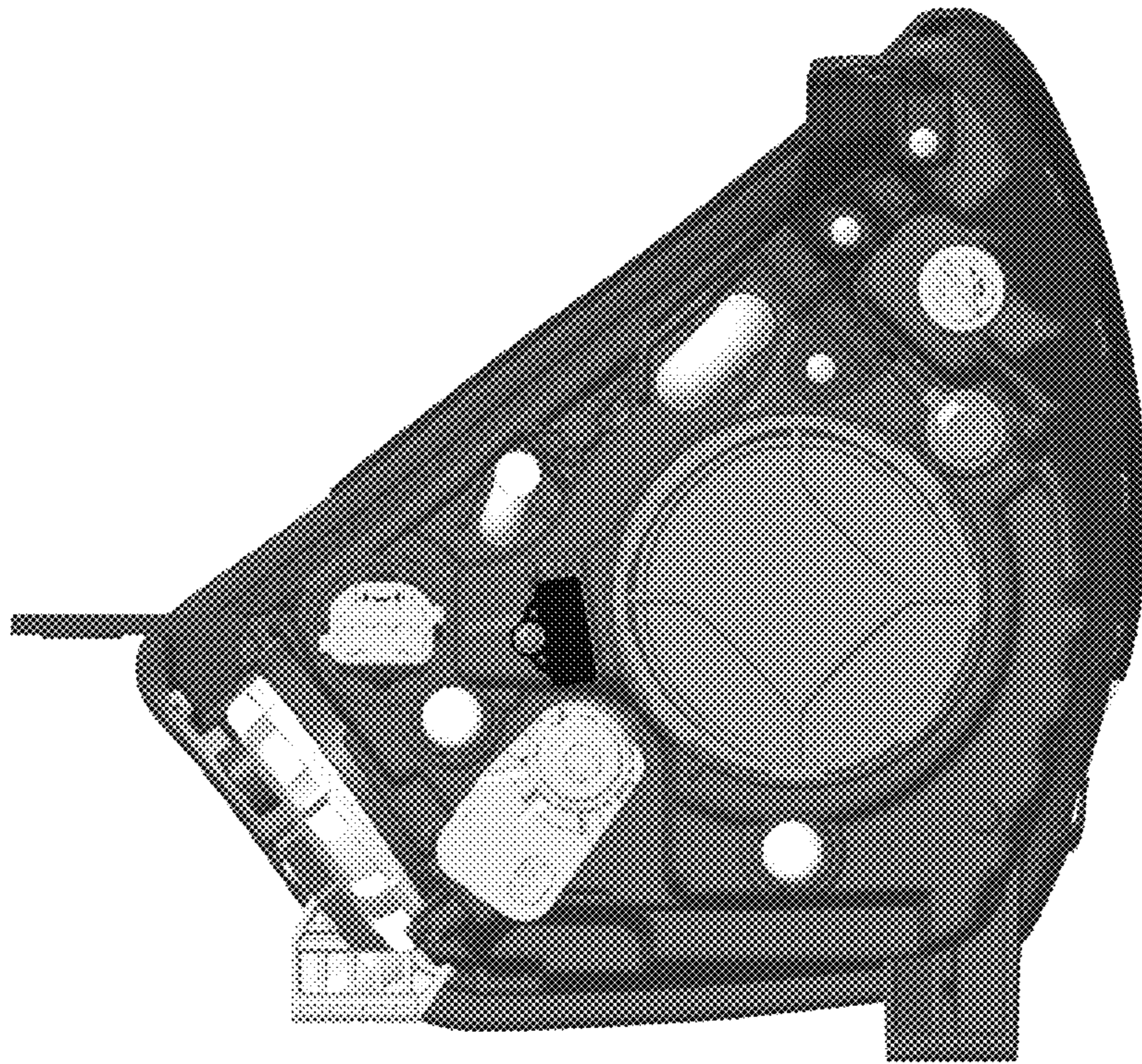
1.1



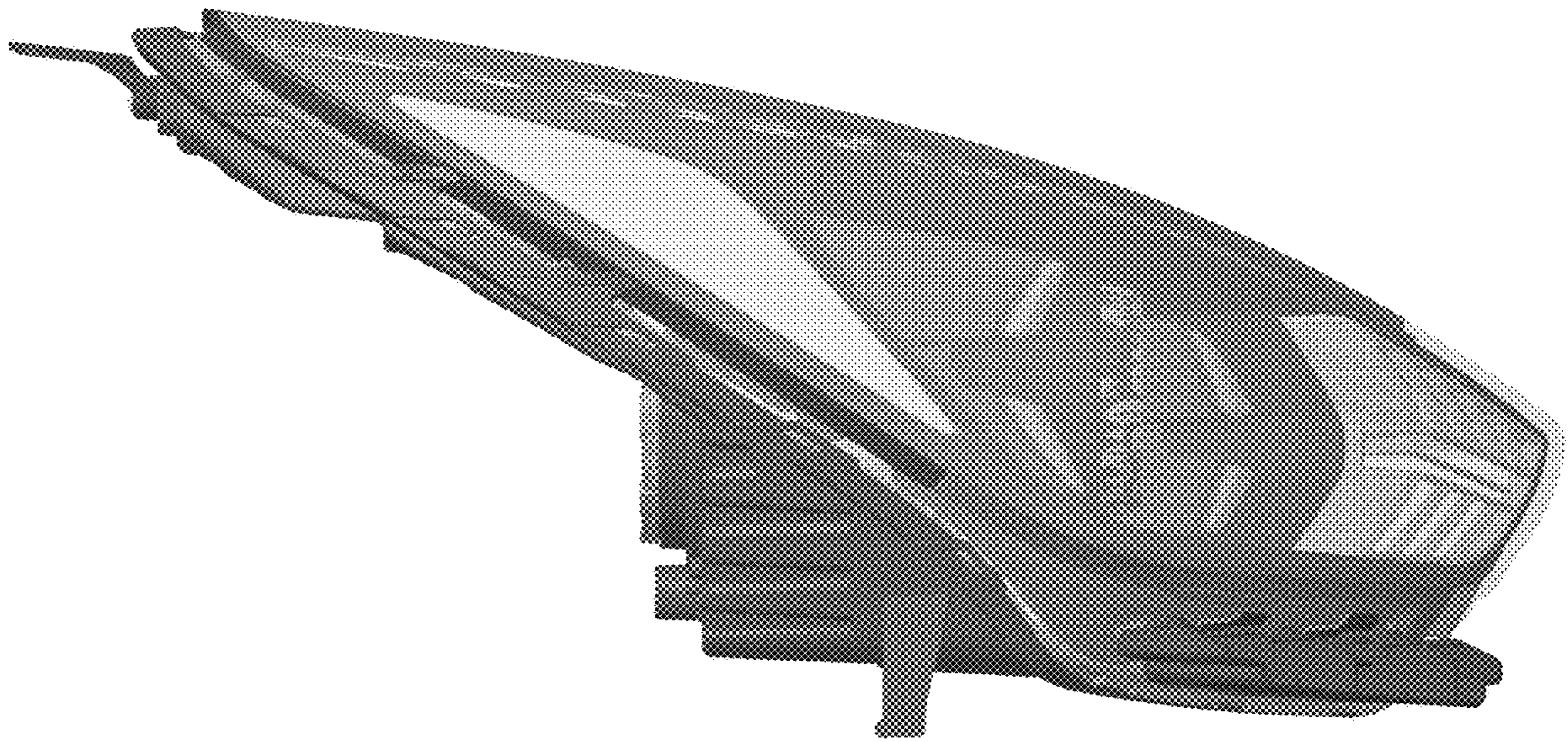
1.2



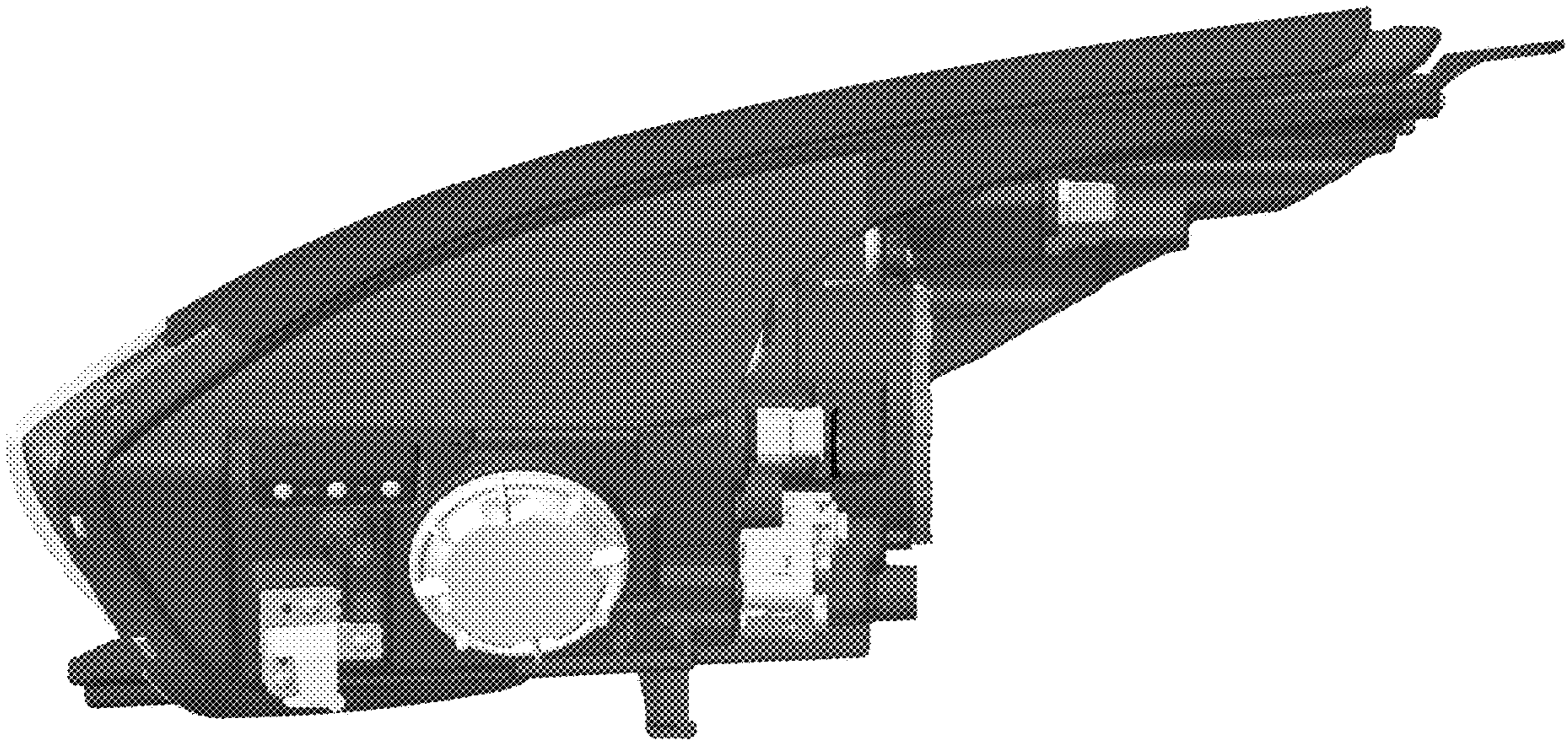
1.3



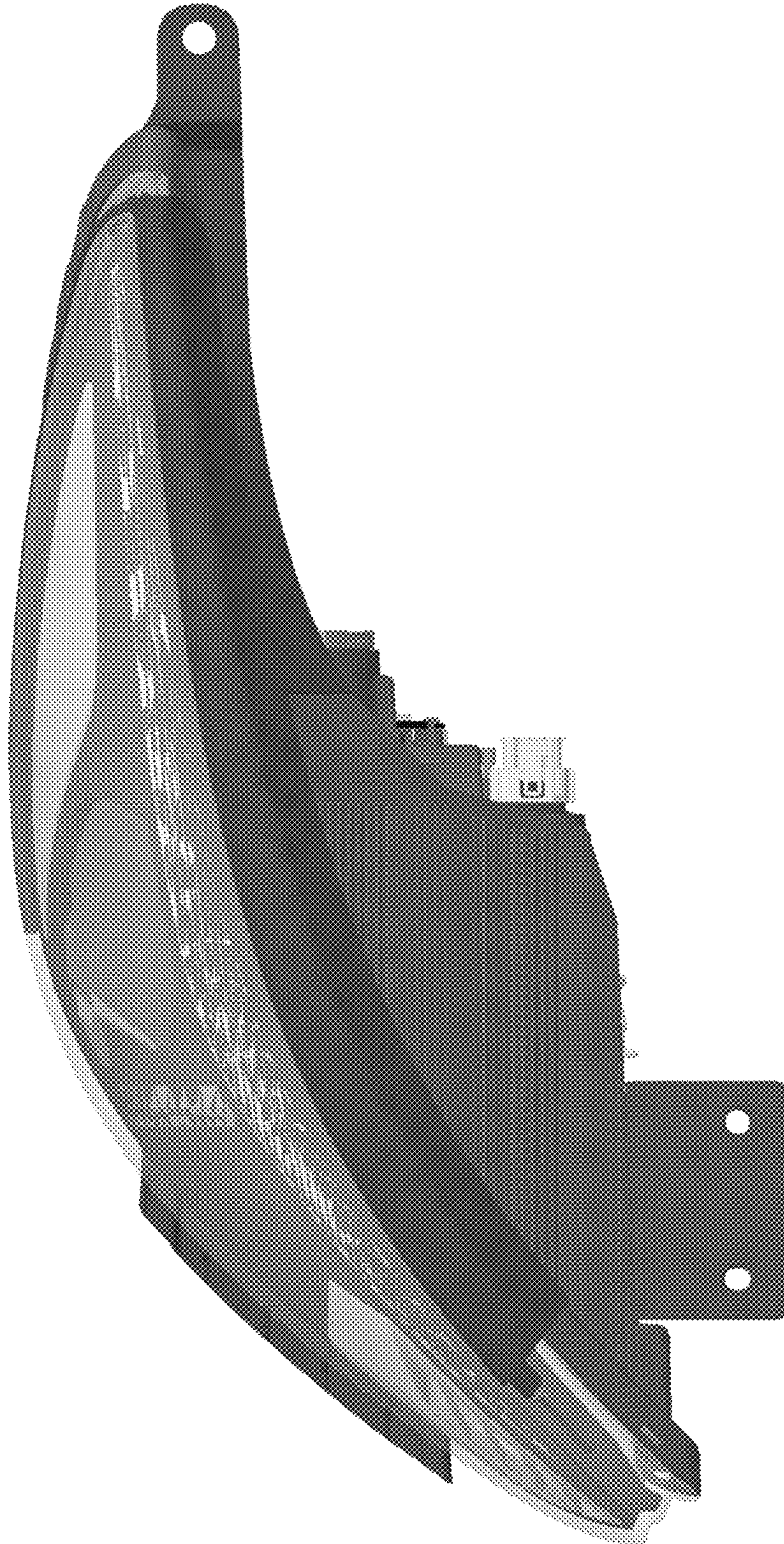
1.4



1.5



1.6



1.7

