



US00D930863S

(12) **United States Design Patent**  
**Jung et al.**

(10) **Patent No.:** **US D930,863 S**

(45) **Date of Patent:** **\*\* Sep. 14, 2021**

(54) **HEAD LAMP FOR AUTOMOBILES**

(71) Applicants: **HYUNDAI MOTOR COMPANY**,  
Seoul (KR); **KIA MOTORS**  
**CORPORATION**, Seoul (KR)

(72) Inventors: **Woo-Joo Jung**, Anyang-si (KR);  
**Ji-Heon Lee**, Anyang-si (KR)

(\*\*) Term: **15 Years**

(21) Appl. No.: **35/508,504**

(22) Filed: **May 15, 2019**

(80) **Hague Agreement Data**

Int. Filing Date: **May 15, 2019**

Int. Reg. No.: **DM/205542**

Int. Reg. Date: **May 15, 2019**

Int. Reg. Pub. Date: **Feb. 7, 2020**

(51) **LOC (13) Cl.** ..... **26-06**

(52) **U.S. Cl.**  
USPC ..... **D26/28**

(58) **Field of Classification Search**  
USPC ..... D26/28, 29, 35, 36  
CPC ..... B60Q 1/30; B60Q 1/2607; B60Q 1/2619;  
B60Q 1/2696; F21S 41/00; F21S 41/20;  
F21S 41/30; F21S 43/14; F21S 43/15;  
F21S 43/20  
See application file for complete search history.

(56) **References Cited**

**U.S. PATENT DOCUMENTS**

D858,829 S \* 9/2019 Satou ..... D26/28  
D875,283 S \* 2/2020 He ..... D26/28

D885,619 S \* 5/2020 Kawaguchi ..... D26/28  
D891,653 S \* 7/2020 Woodhouse ..... D26/28  
D902,455 S \* 11/2020 Lucas ..... D26/28  
D903,911 S \* 12/2020 Kato ..... D26/28

**FOREIGN PATENT DOCUMENTS**

WO RGN-D205542-001 \* 2/2020  
WO RGN-D205543-001 \* 2/2020

\* cited by examiner

*Primary Examiner* — Kevin K Rudzinski

*Assistant Examiner* — Richard Kearney

(57) **CLAIM**

The ornamental design for a head lamp for automobiles, as shown and described.

**DESCRIPTION**

1. Head lamp for automobiles

1.1 : Perspective

1.2 : Front

1.3 : Back

1.4 : Left

1.5 : Right

1.6 : Top

1.7 : Bottom

1.1 is a perspective view of a head lamp for automobiles showing our new design; 1.2 is a front elevation view thereof; 1.3 is a rear elevation view thereof; 1.4 is a left side elevation view thereof; 1.5 is a right side elevation view thereof; 1.6 is a top plan view thereof; and 1.7 is a bottom plan view thereof.

The portions shown as solid black surfaces in the drawings form no part of the claimed design.

**1 Claim, 7 Drawing Sheets**

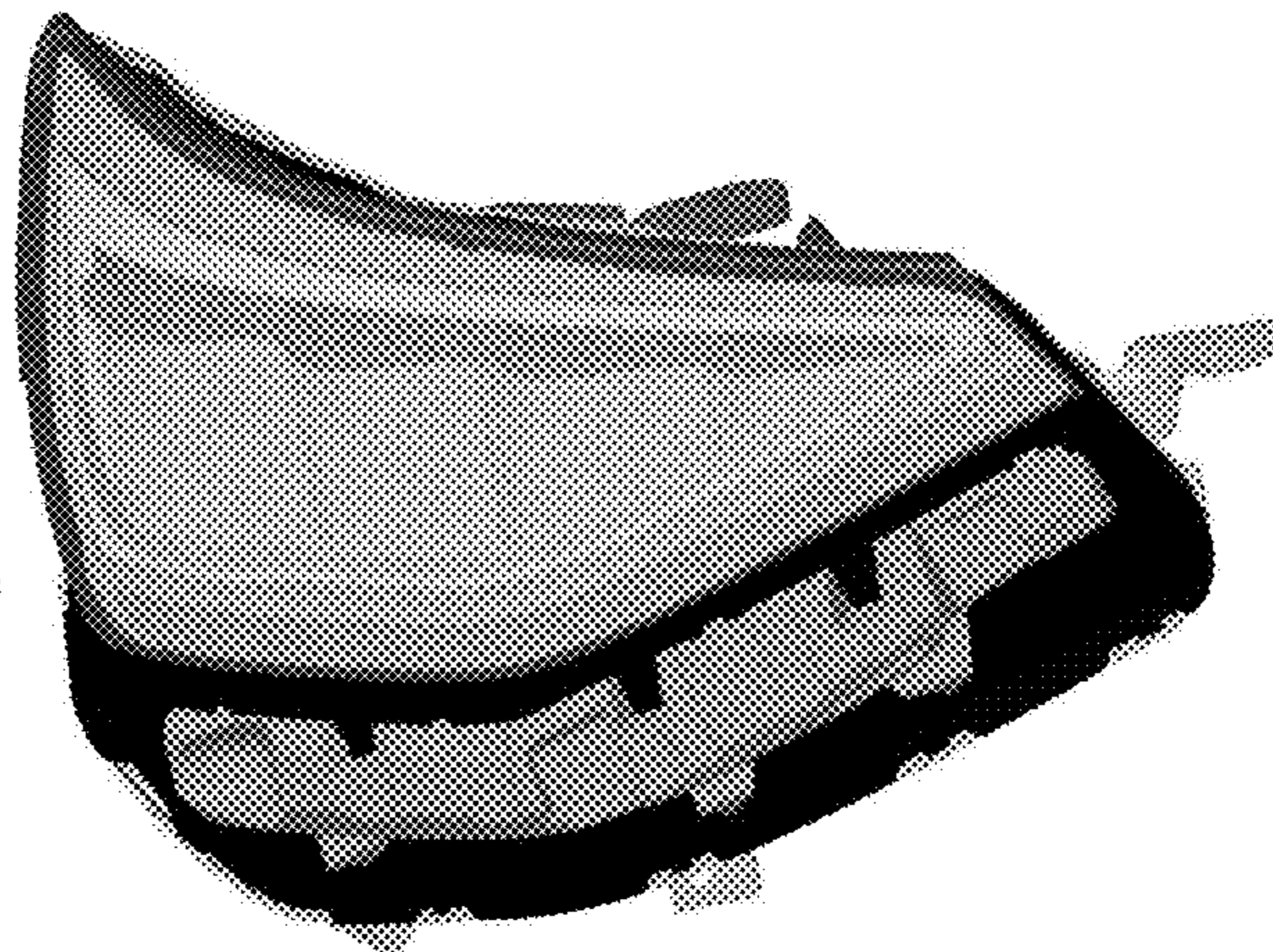
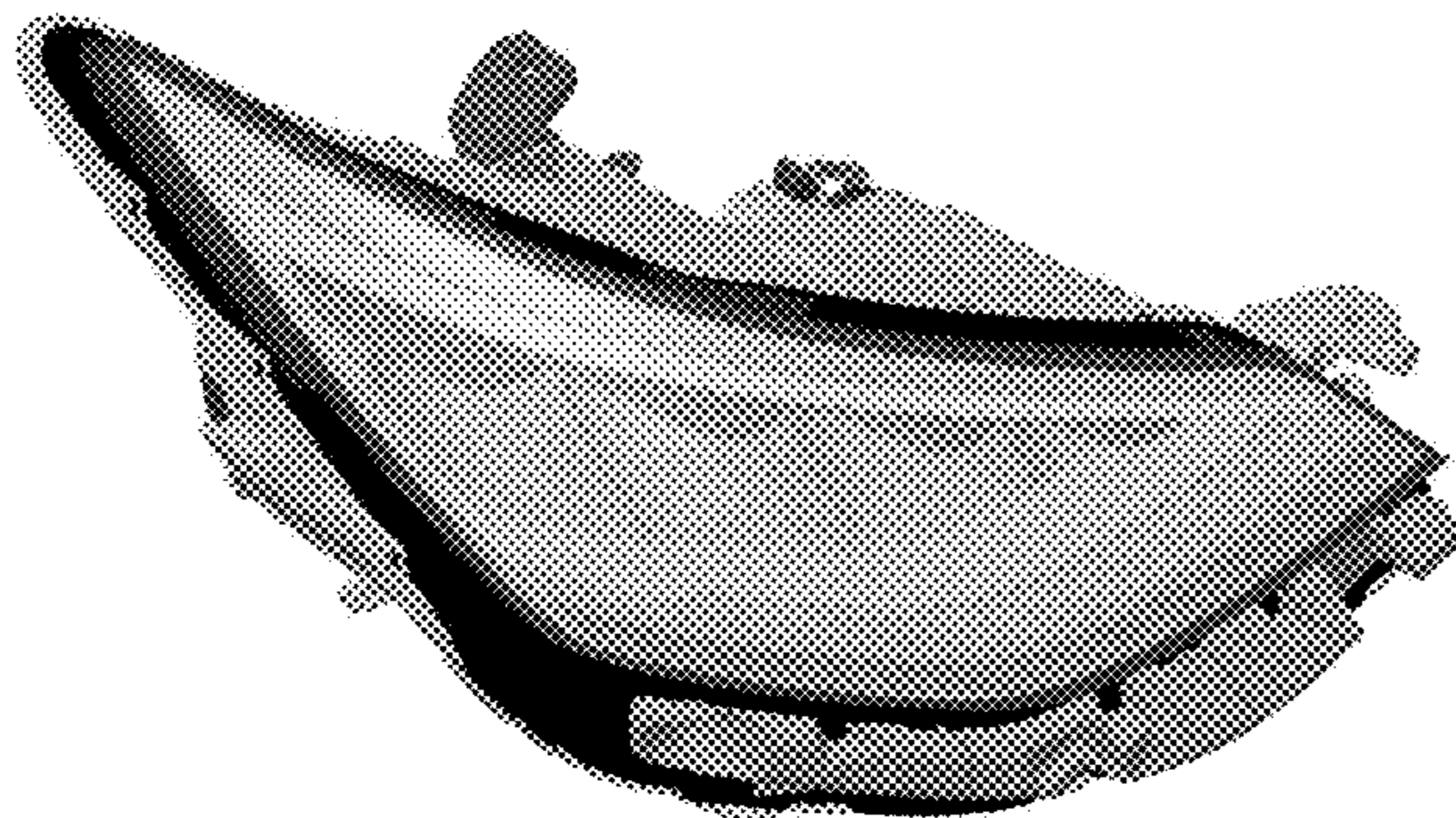




FIG. 1.1

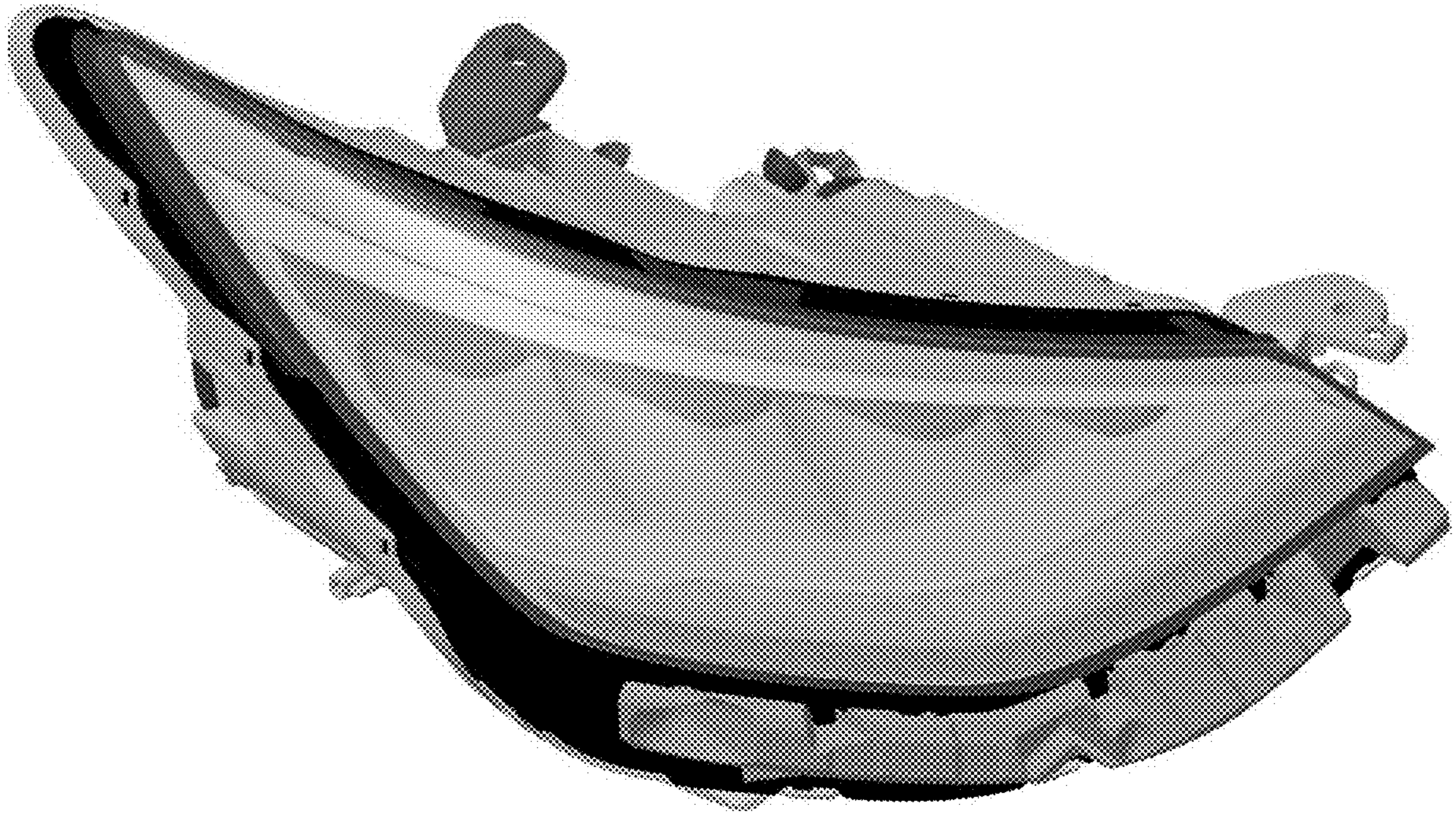




FIG. 1.2

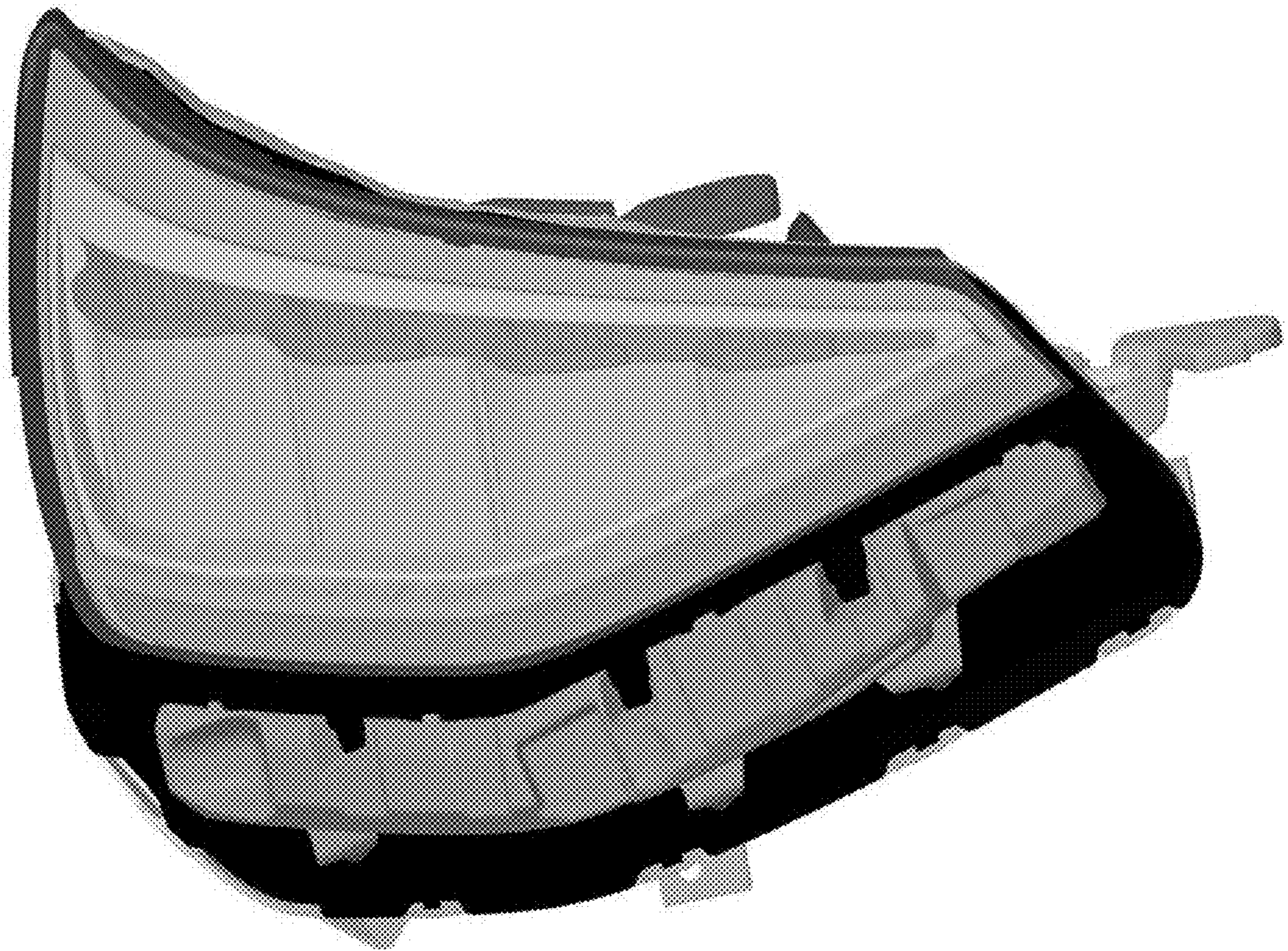




FIG. 1.3

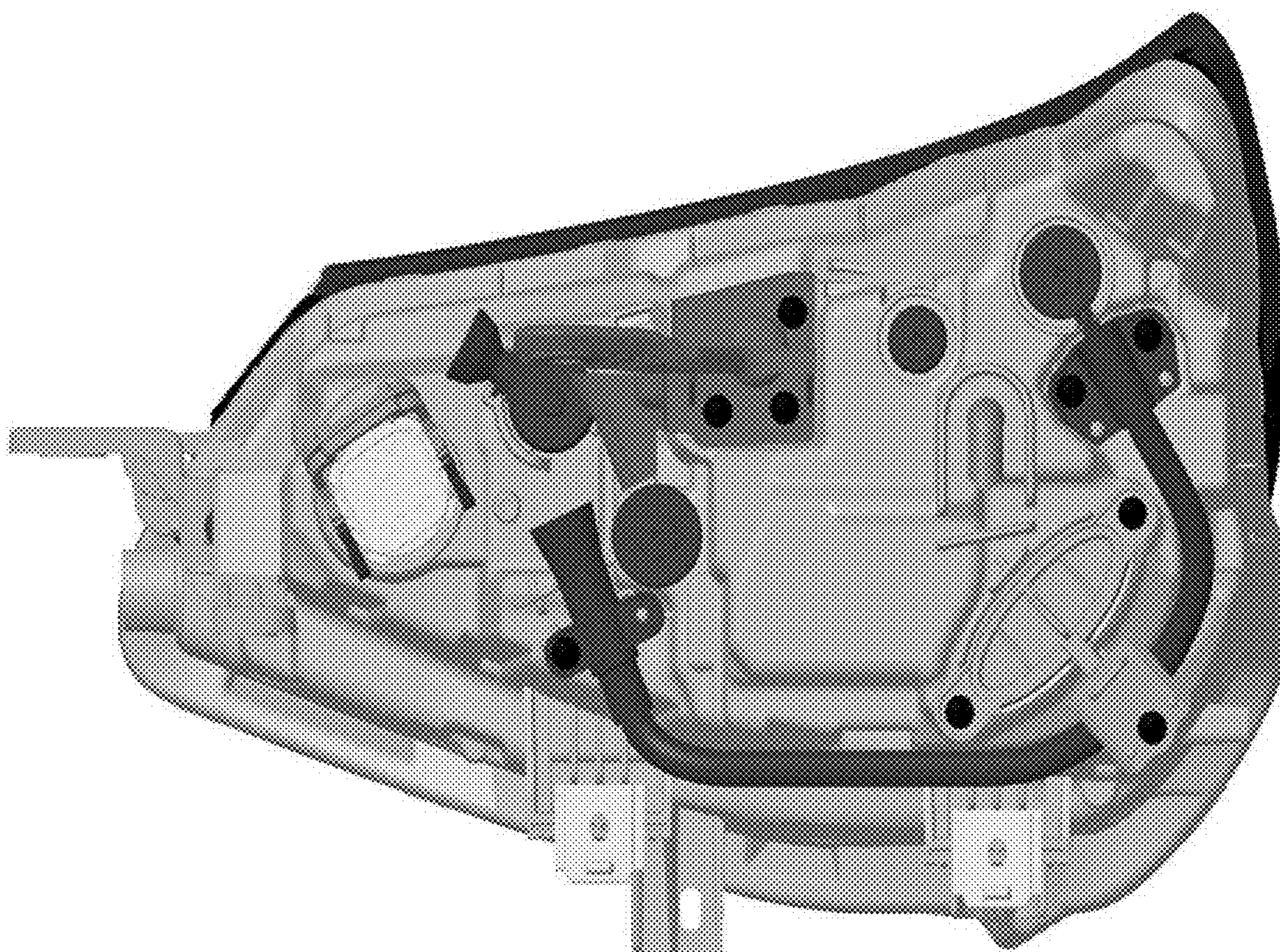




FIG. 1.4

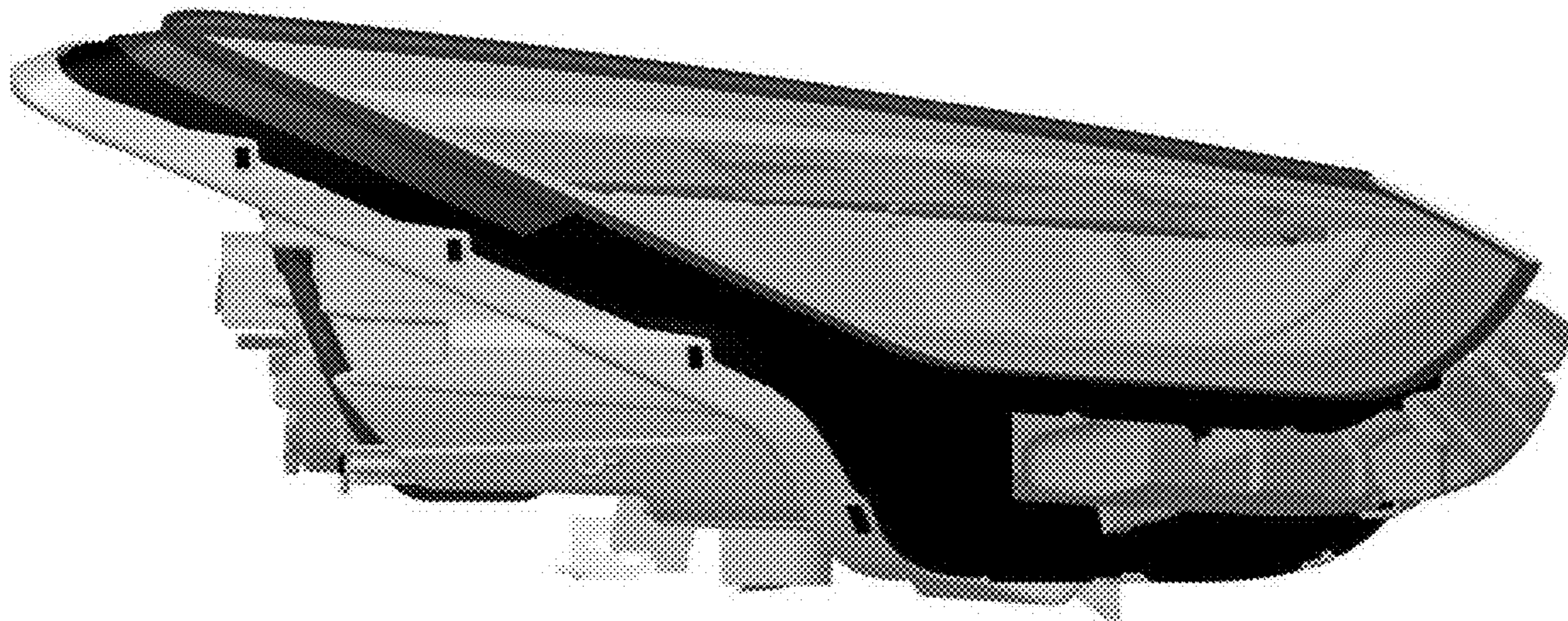


FIG. 1.5

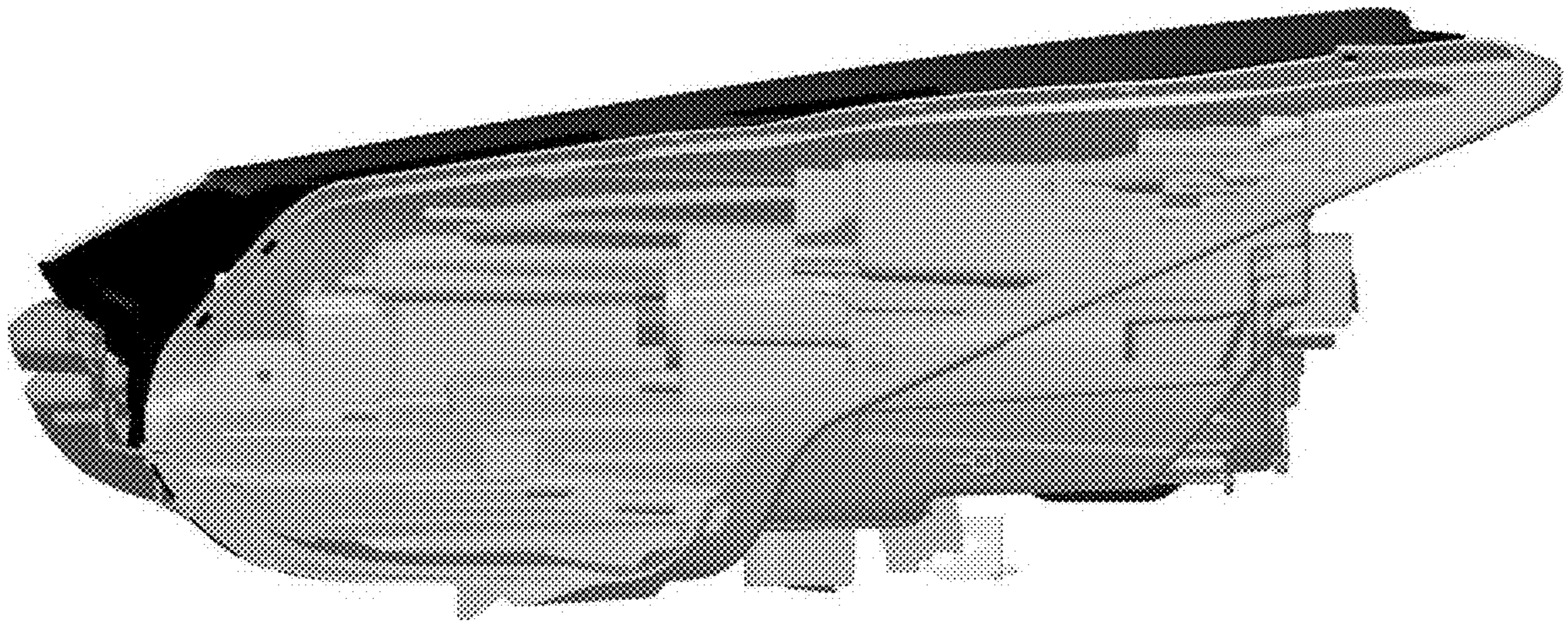




FIG. 1.6

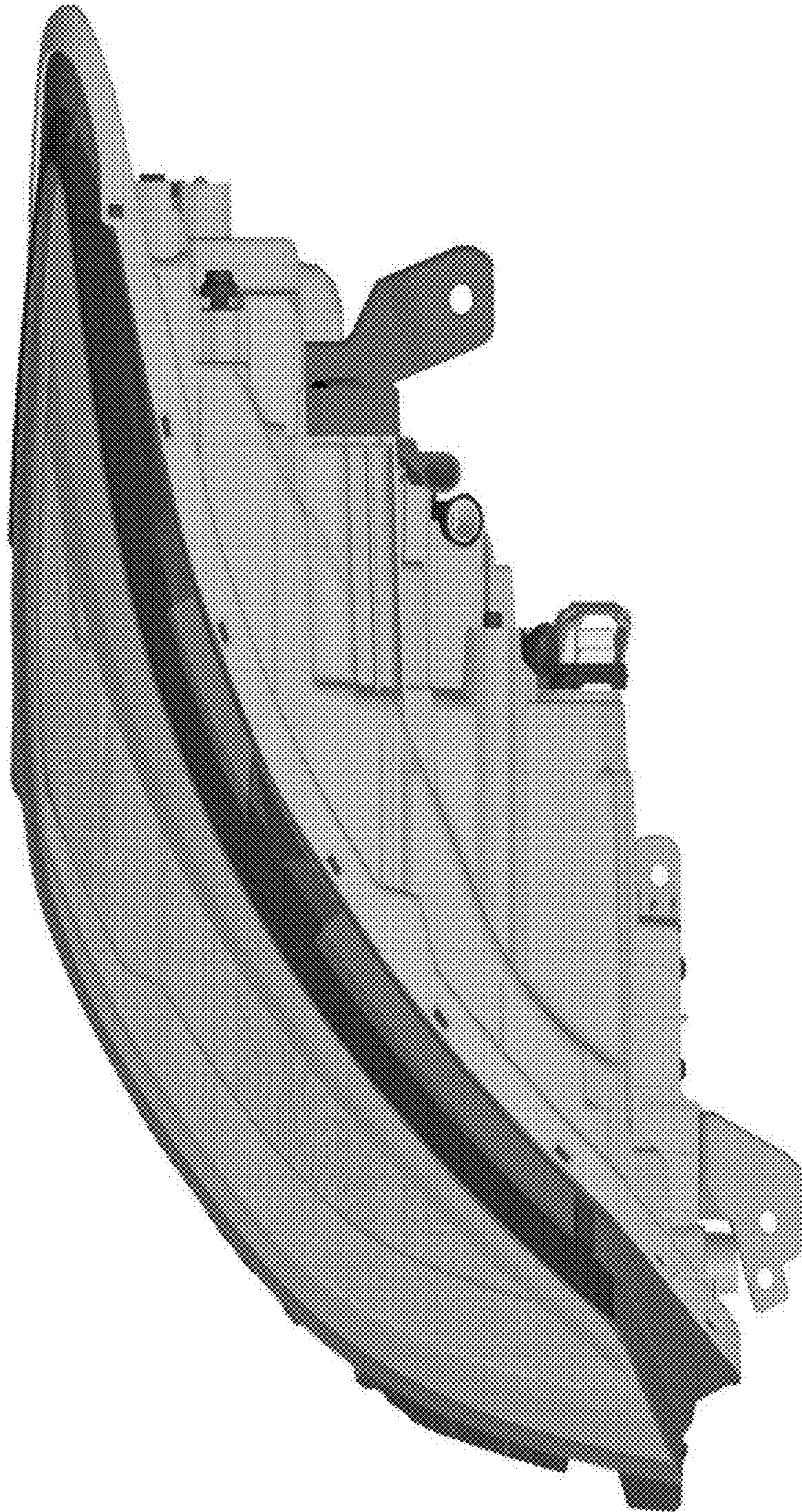




FIG. 1.7

