



US00D930860S

(12) **United States Design Patent**
Hartenstein

(10) **Patent No.:** **US D930,860 S**

(45) **Date of Patent:** **** Sep. 14, 2021**

(54) **LIGHTING FIXTURE FOR A VEHICLE**

(71) Applicant: **Justin Hartenstein**, Metairie, LA (US)

(72) Inventor: **Justin Hartenstein**, Metairie, LA (US)

(73) Assignee: **AAC Enterprises LLC**, Metairie, LA (US)

(**) Term: **15 Years**

(21) Appl. No.: **29/725,539**

(22) Filed: **Feb. 26, 2020**

Related U.S. Application Data

(63) Continuation-in-part of application No. 16/501,121, filed on Aug. 31, 2019, now abandoned.

(51) **LOC (13) Cl.** **26-06**

(52) **U.S. Cl.**
USPC **D26/28**

(58) **Field of Classification Search**
USPC D26/28, 29, 30, 31, 32, 33, 34, 35, 36, D26/44
CPC F21S 48/00; F21S 48/10; F21S 48/115; F21S 48/225; F21S 48/1233; F21S 48/1266; F21S 48/1388; F21S 48/2268; F21V 21/04; F21W 2103/35; F21W 3/40; F21W 2102/17; F21W 2102/30; F21W 2103/00; F21W 2103/55; F21W 2104/00; F21W 2107/17; F21W 2107/13

See application file for complete search history.

(56) **References Cited**

U.S. PATENT DOCUMENTS

D797,331 S * 9/2017 Kanasugi D26/28
D797,965 S * 9/2017 Matsumoto D26/28

D826,435 S * 8/2018 Kim D26/28
D857,938 S * 8/2019 Blanski D26/28
D862,750 S * 10/2019 Sakai D26/28
D869,015 S * 12/2019 Pinazzo D26/28
D874,035 S * 1/2020 Park Cheng D26/28
D874,693 S * 2/2020 Blanski D26/28
D877,369 S * 3/2020 Thurber D26/28
D877,377 S * 3/2020 Cheng D26/28
D887,593 S * 6/2020 Tomasson D26/28
D887,596 S * 6/2020 Pinazzo D26/28

* cited by examiner

Primary Examiner — Angela J Lee

(74) *Attorney, Agent, or Firm* — Edwin A. Sisson, Attorney at Law, LLC; Jeffrey J. Banyas

(57) **CLAIM**

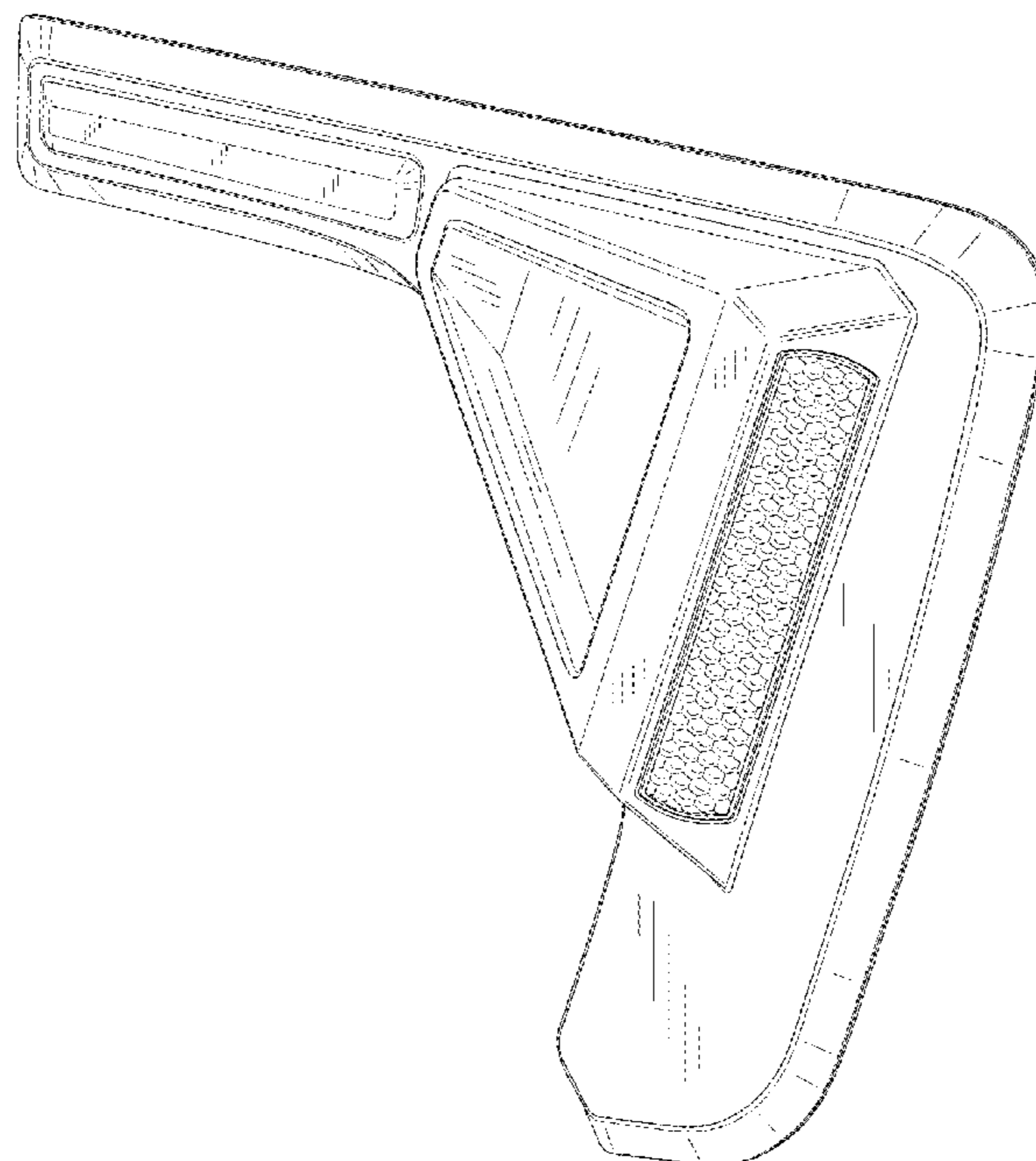
The ornamental design for a lighting fixture for a vehicle, as shown and described.

DESCRIPTION

FIG. 1 is a perspective front view of a lighting fixture for a vehicle;
FIG. 2 is a front view of the lighting fixture for a vehicle;
FIG. 3 is a rear view of the lighting fixture for a vehicle;
FIG. 4 is a right side view of the lighting fixture for a vehicle;
FIG. 5 is a left side view of the lighting fixture for a vehicle;
FIG. 6 is a top view of the lighting fixture for a vehicle;
FIG. 7 is a bottom view of the lighting fixture for a vehicle;
and,
FIG. 8 is a side view of the lighting fixture for a vehicle installed in a vehicle.

The broken lines form no part of the claimed design.

1 Claim, 6 Drawing Sheets



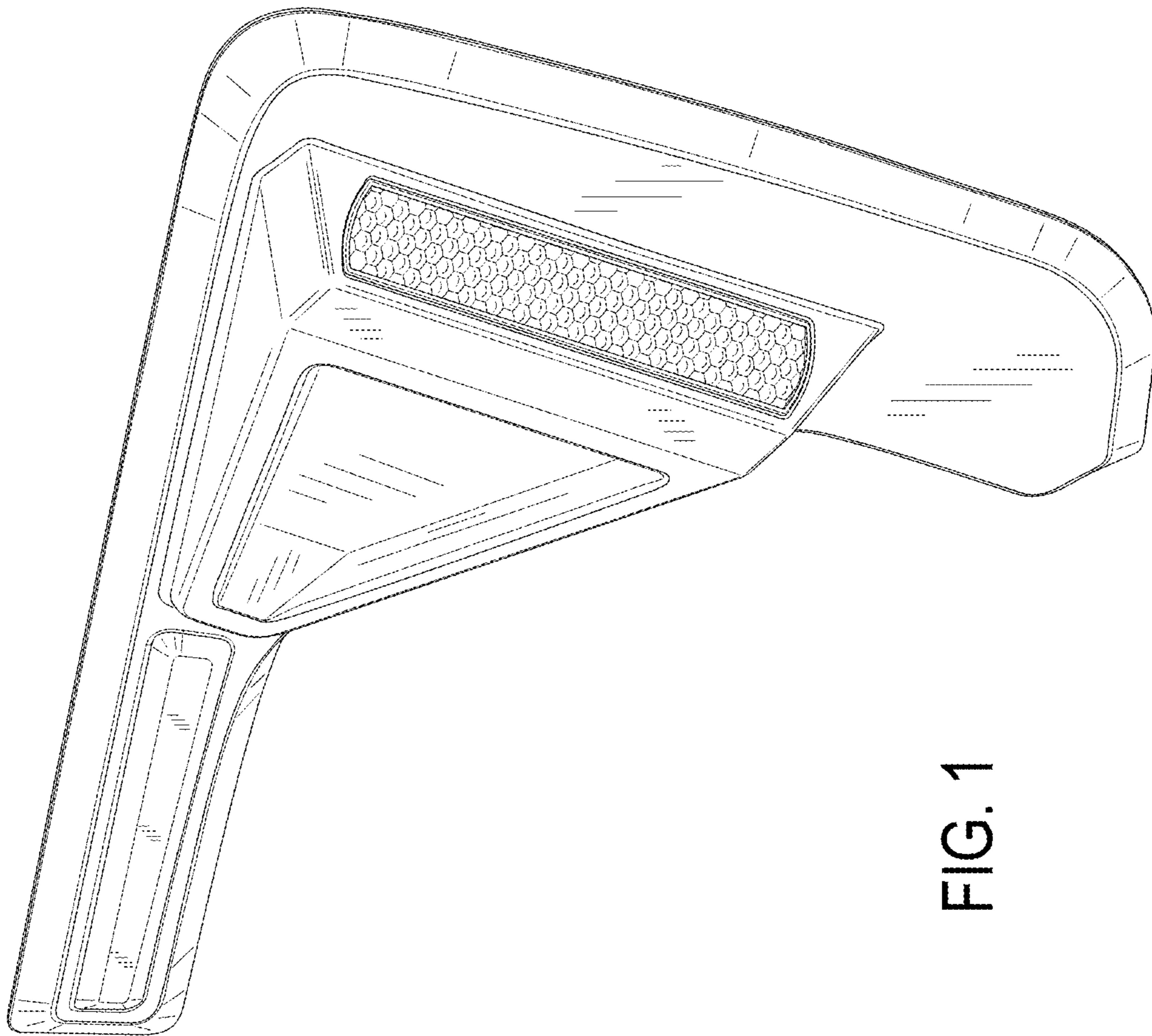


FIG. 1

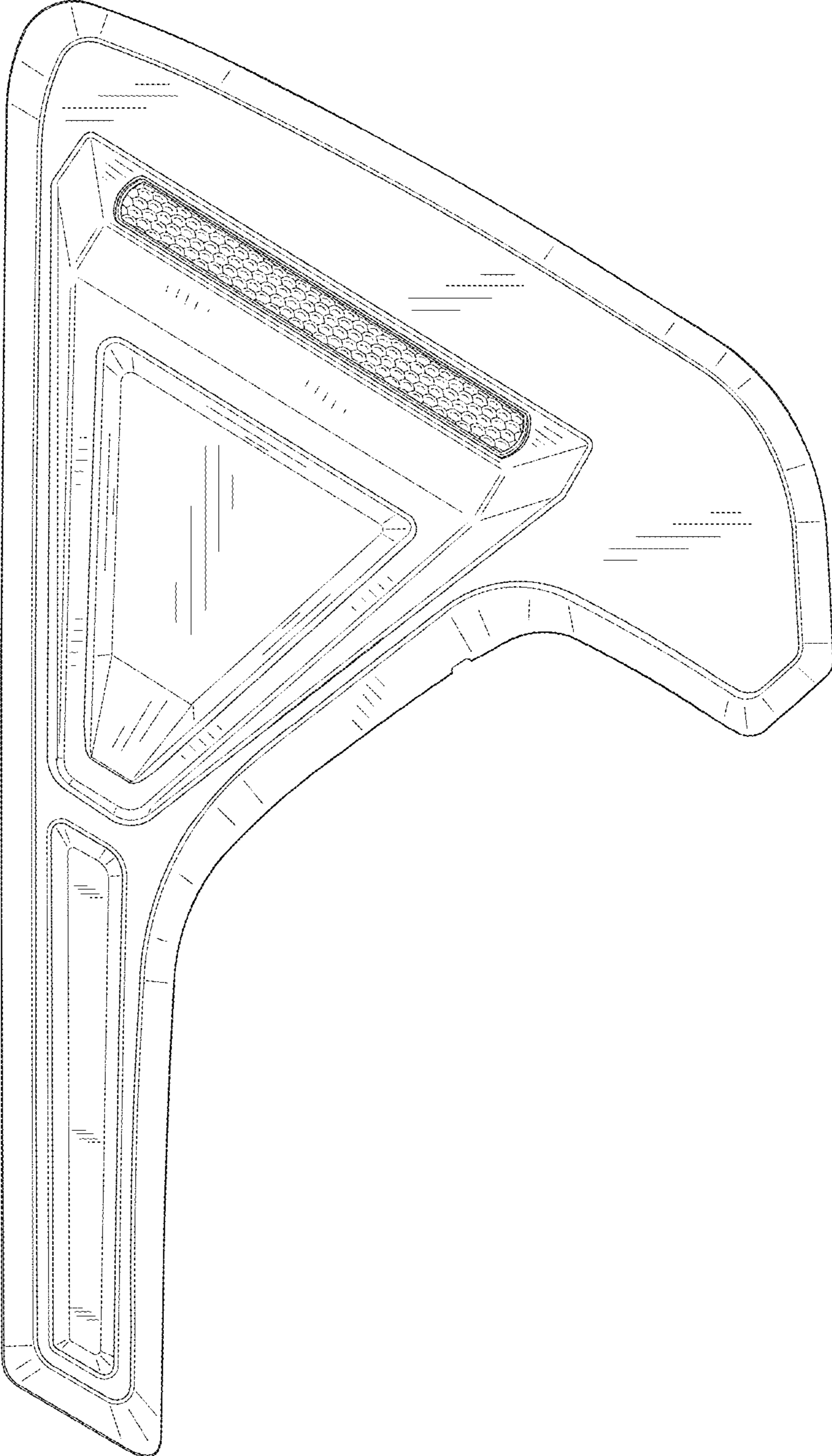


FIG. 2

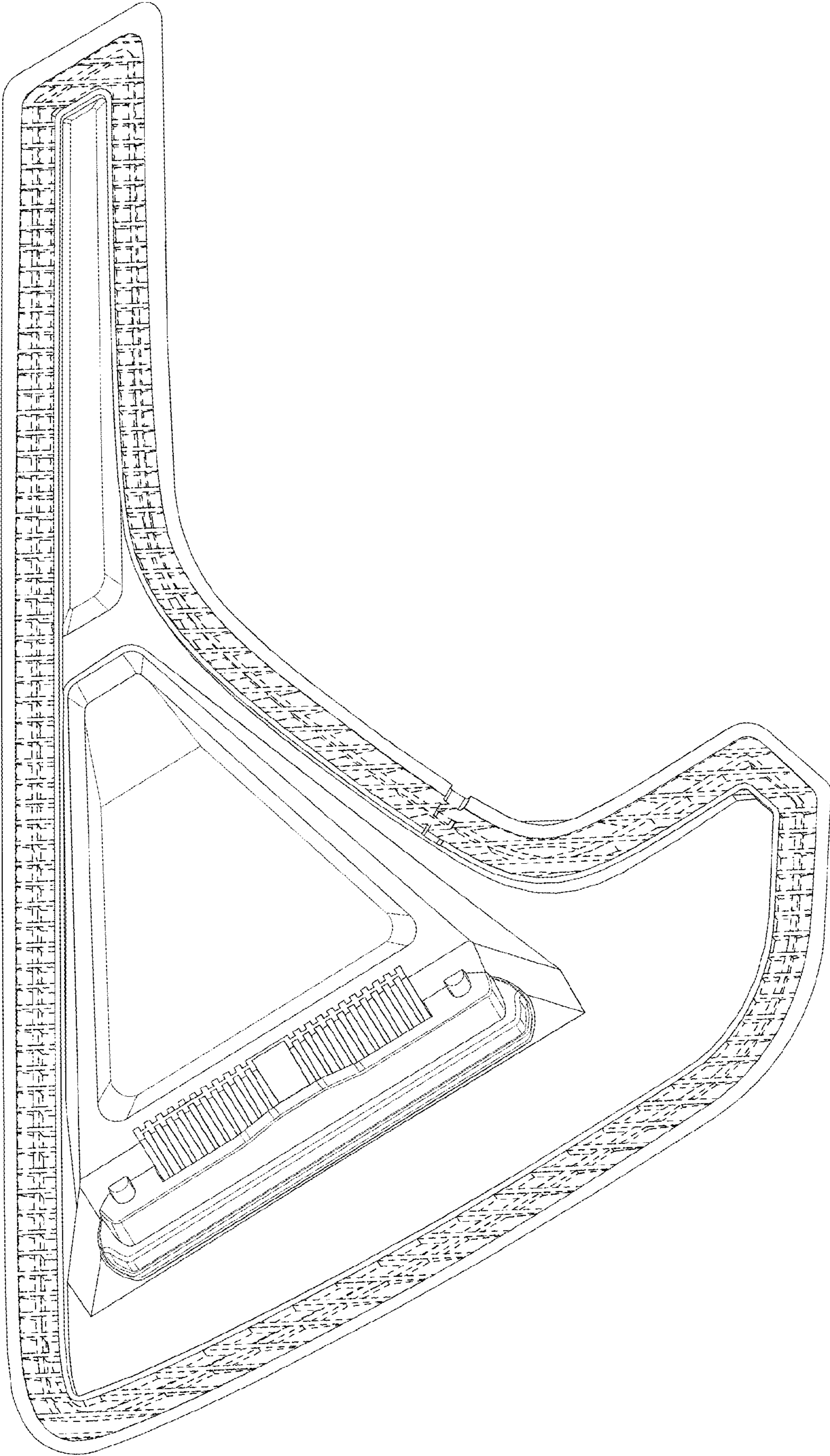


FIG. 3

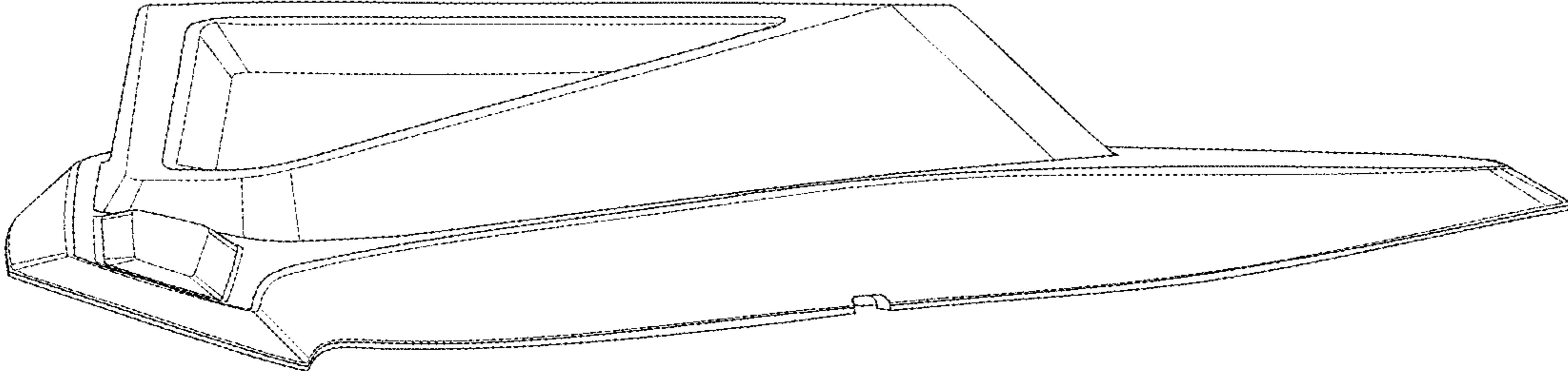


FIG. 5

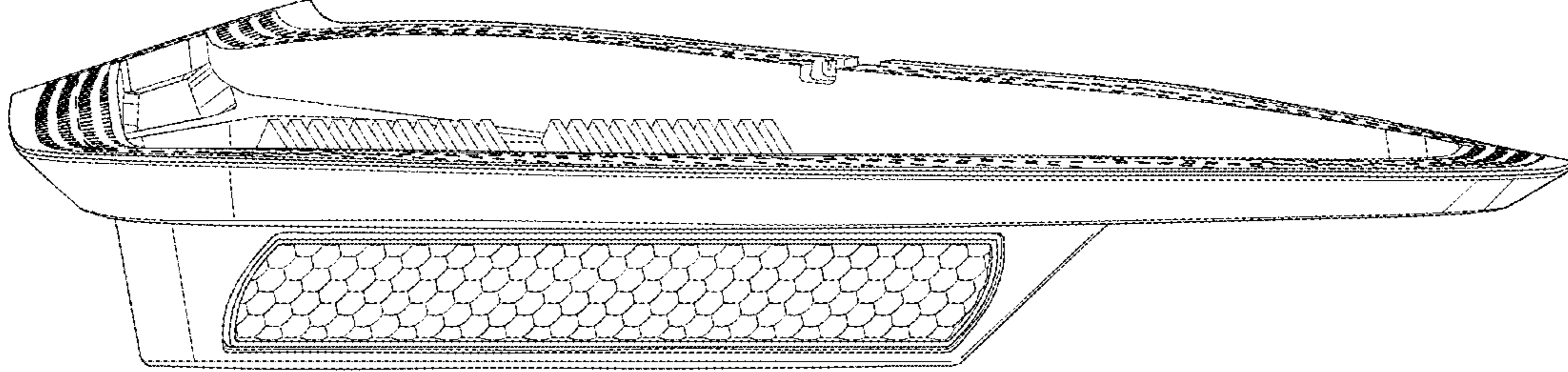


FIG. 4

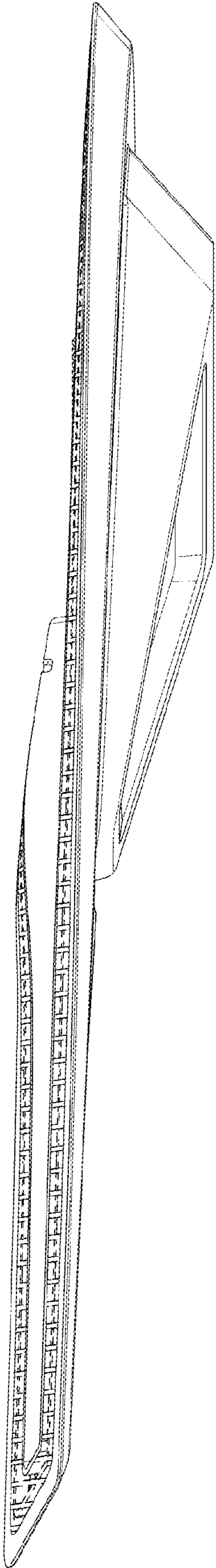


FIG. 6

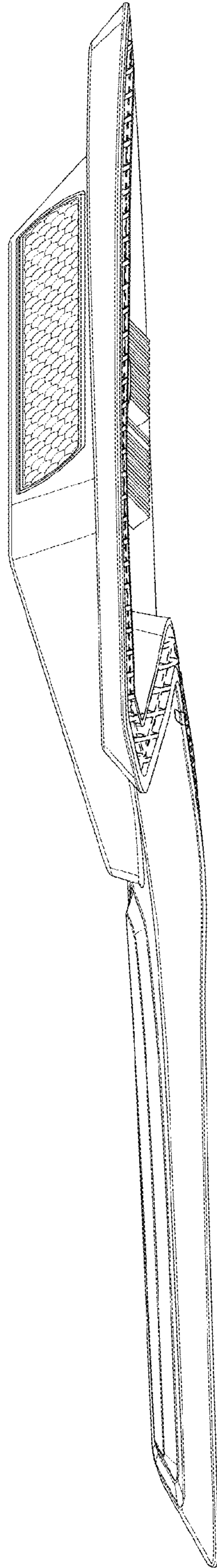


FIG. 7

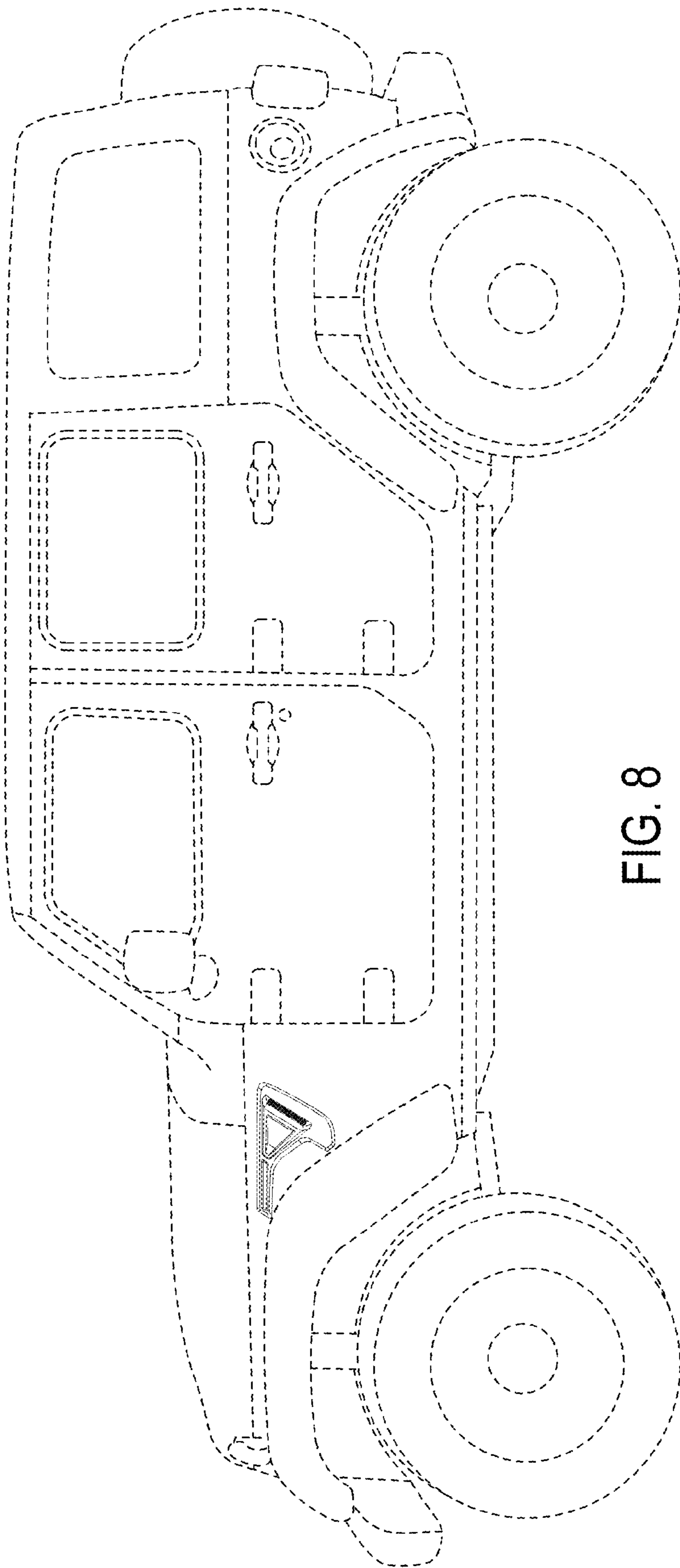


FIG. 8