



US00D930858S

(12) **United States Design Patent**  
**Yang**

(10) **Patent No.:** **US D930,858 S**

(45) **Date of Patent:** **\*\* Sep. 14, 2021**

(54) **VEHICLE HEADLIGHT**

(71) Applicant: **SONAR AUTO PARTS CO., LTD.**,  
New Taipei (TW)

(72) Inventor: **Hsiu-Pen Yang**, New Taipei (TW)

(73) Assignee: **SONAR AUTO PARTS CO., LTD.**,  
New Taipei (TW)

(\*\*) Term: **15 Years**

(21) Appl. No.: **29/723,795**

(22) Filed: **Feb. 11, 2020**

(51) **LOC (13) Cl.** ..... **26-06**

(52) **U.S. Cl.**  
USPC ..... **D26/28**

(58) **Field of Classification Search**  
USPC ..... D26/28, 29, 30, 31, 32, 33, 34, 35, 36,  
D26/44

CPC ..... F21S 48/00; F21S 48/10; F21S 48/115;  
F21S 48/225; F21S 48/1233; F21S  
48/1266; F21S 48/1388; F21S 48/2268;  
F21V 21/04; F21W 2103/35; F21W 3/40;  
F21W 2102/17; F21W 2102/30; F21W  
2103/00; F21W 2103/55; F21W 2104/00;  
F21W 2107/17; F21W 2107/13

See application file for complete search history.

(56) **References Cited**

**U.S. PATENT DOCUMENTS**

D838,020 S \* 1/2019 Lin ..... D26/28  
D842,510 S \* 3/2019 Kang ..... D26/28

D855,848 S \* 8/2019 Lai ..... D26/28  
D862,752 S \* 10/2019 Lai ..... D26/28  
D868,316 S \* 11/2019 Lin ..... D26/28  
D878,644 S \* 3/2020 Lai ..... D26/28  
D890,381 S \* 7/2020 Wu ..... D26/28  
D890,969 S \* 7/2020 Wu ..... D26/28  
D893,776 S \* 8/2020 Lin ..... D26/28  
D896,409 S \* 9/2020 He ..... D26/28  
D905,877 S \* 12/2020 Wu ..... D26/28  
D906,556 S \* 12/2020 Yang ..... D26/28  
D907,820 S \* 1/2021 Runde ..... D26/28

\* cited by examiner

*Primary Examiner* — Angela J Lee

(74) *Attorney, Agent, or Firm* — Li & Cai Intellectual  
Property Office

(57) **CLAIM**

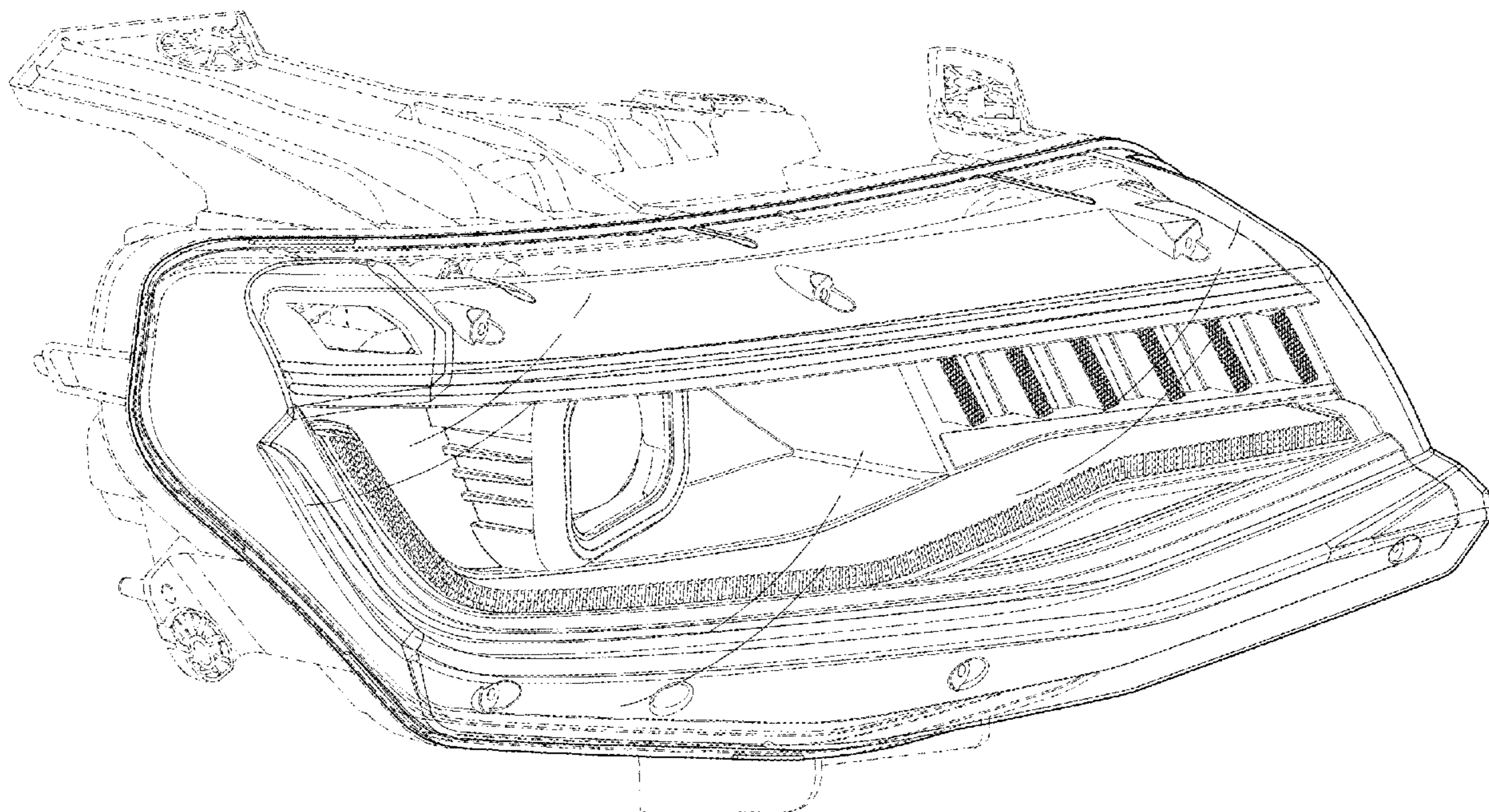
The ornamental design for a vehicle headlight, as shown and  
described.

**DESCRIPTION**

FIG. 1 is a front, left and top perspective view of a vehicle  
headlight showing my new design;  
FIG. 2 is a front elevational view thereof;  
FIG. 3 is a rear elevational view thereof;  
FIG. 4 is a left side elevational view thereof;  
FIG. 5 is a right side elevational view thereof;  
FIG. 6 is a top plan view thereof; and,  
FIG. 7 is a bottom plan view thereof.

The broken lines in the drawings depict portions of the  
vehicle headlight that form no part of the claimed design.

**1 Claim, 7 Drawing Sheets**



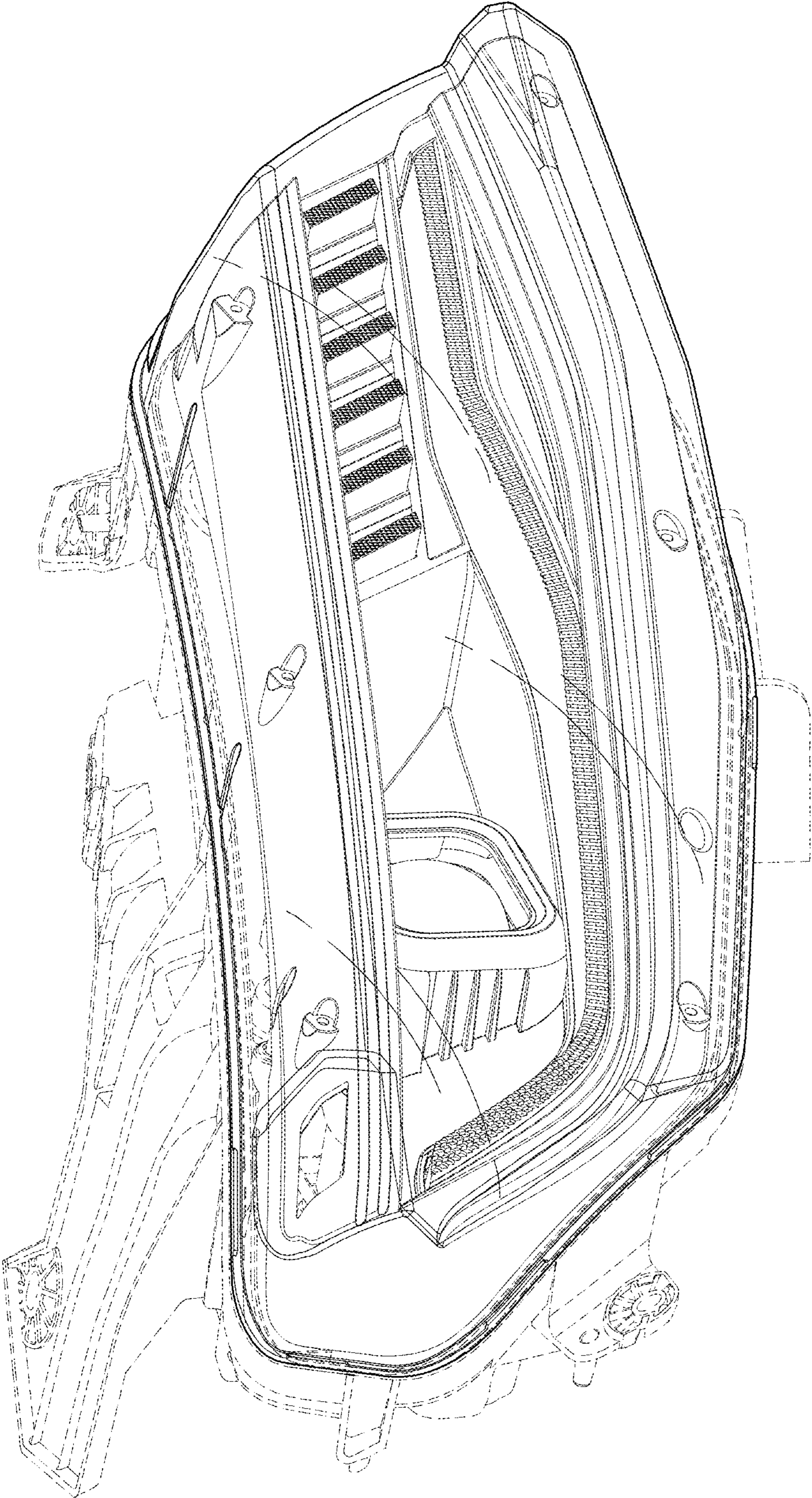


FIG. 1

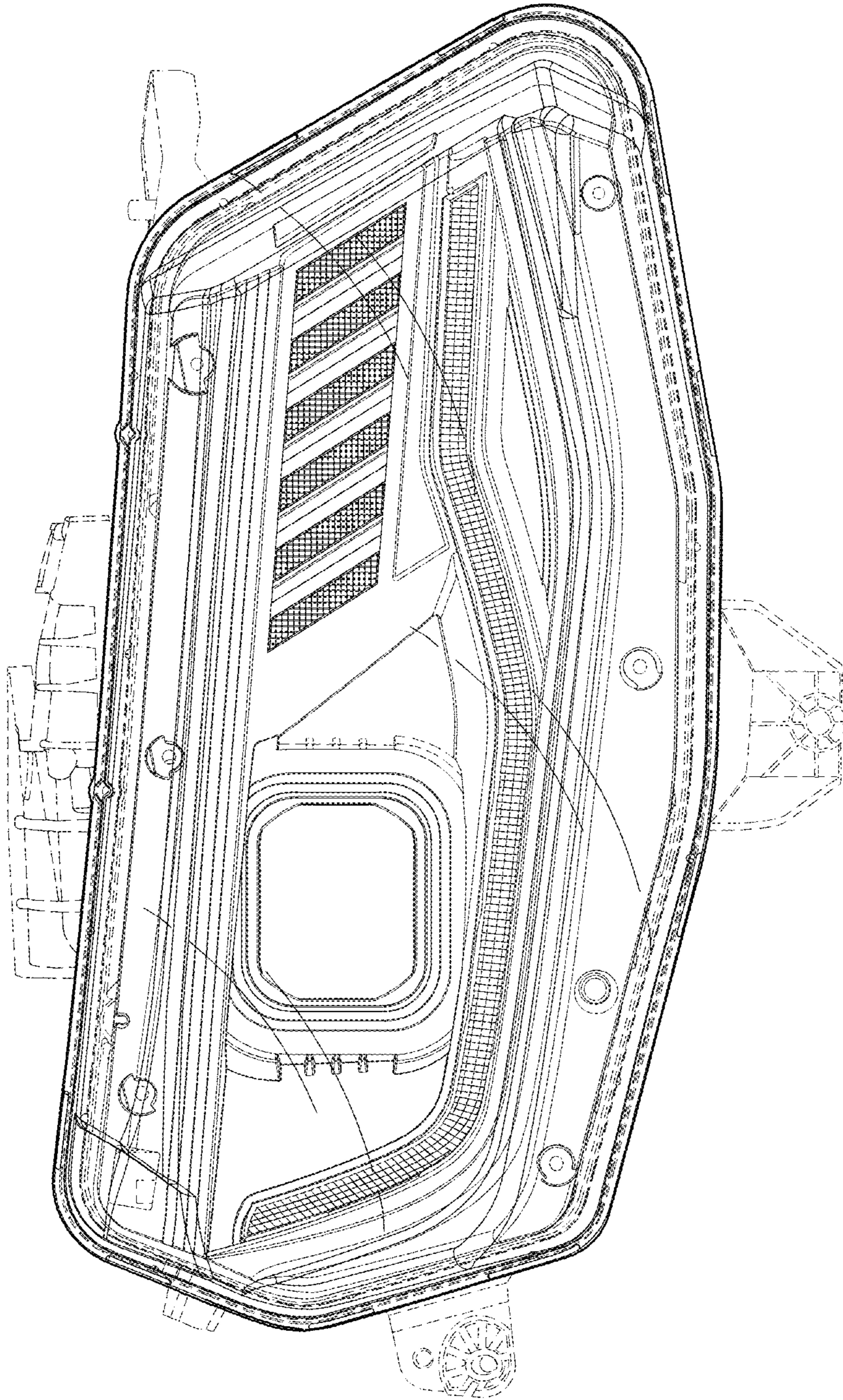


FIG. 2

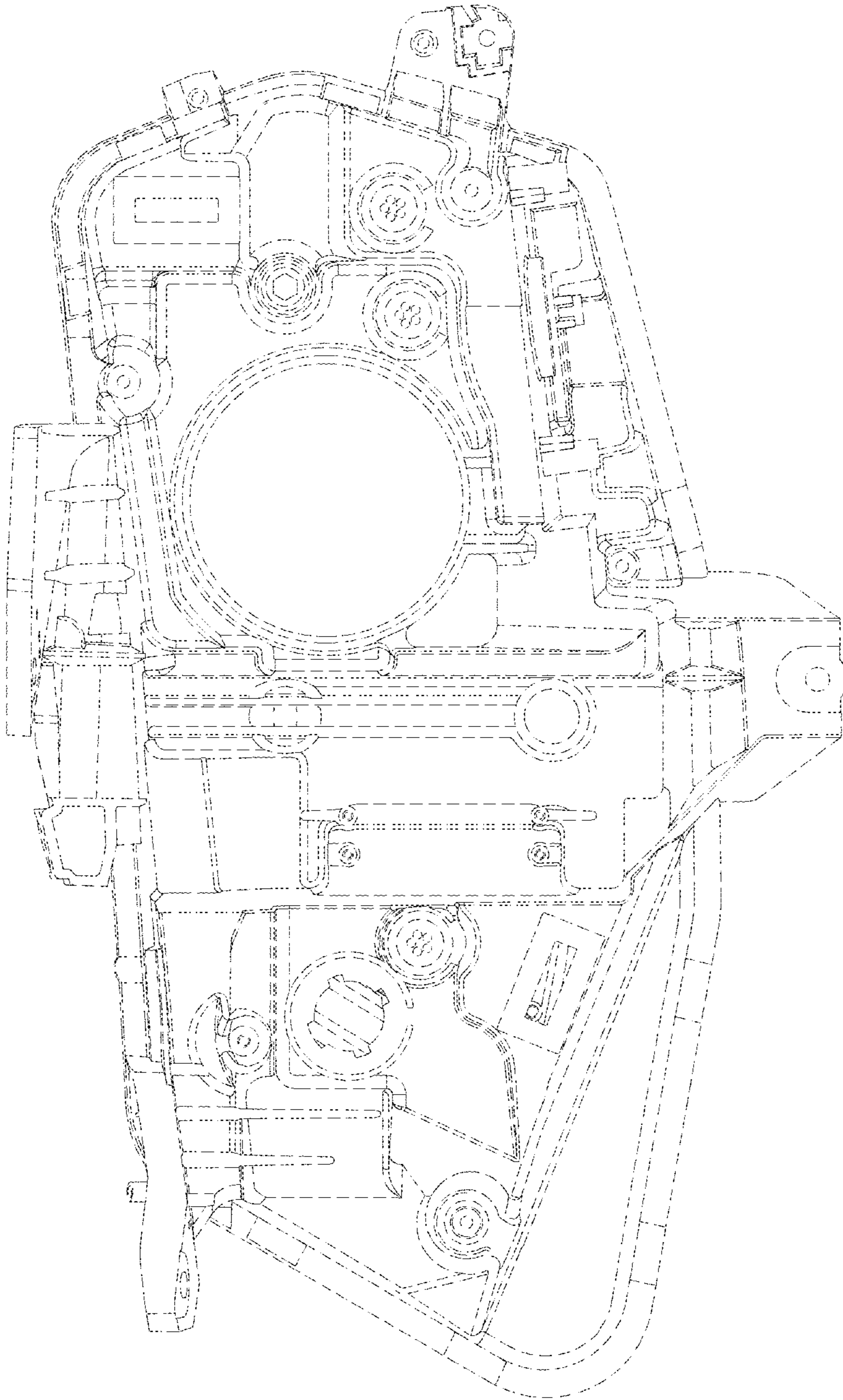


FIG. 3

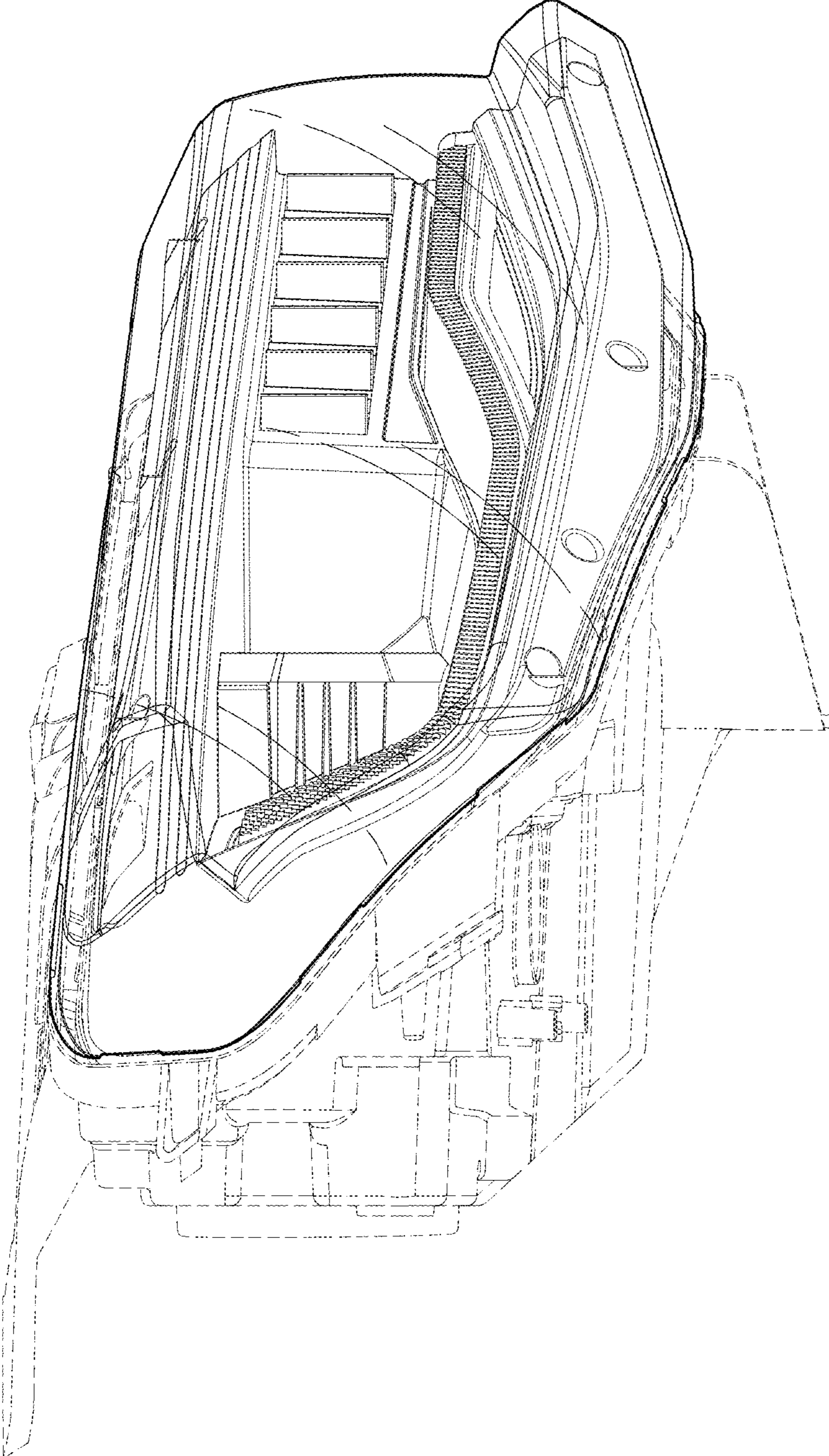


FIG. 4

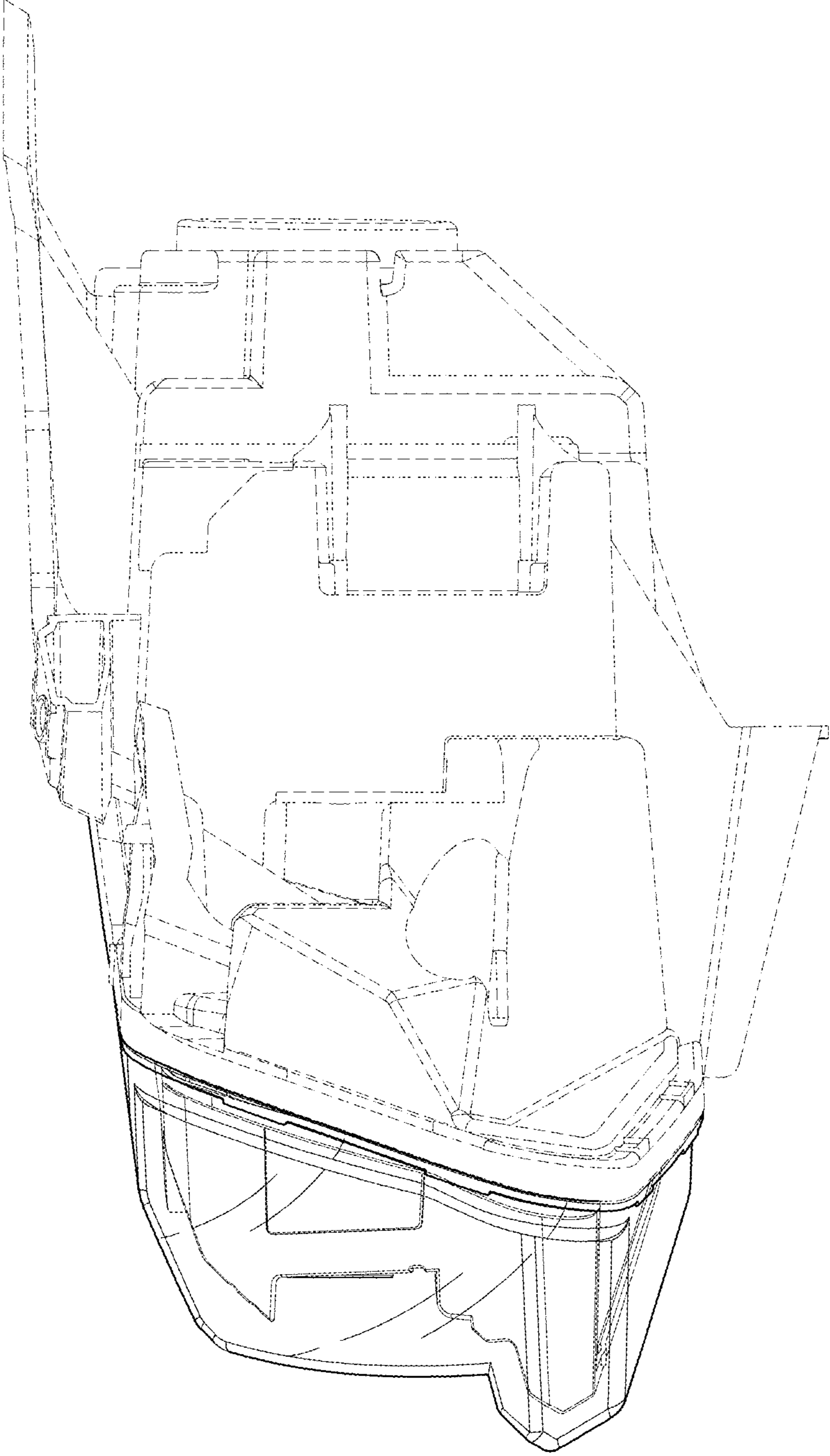


FIG. 5

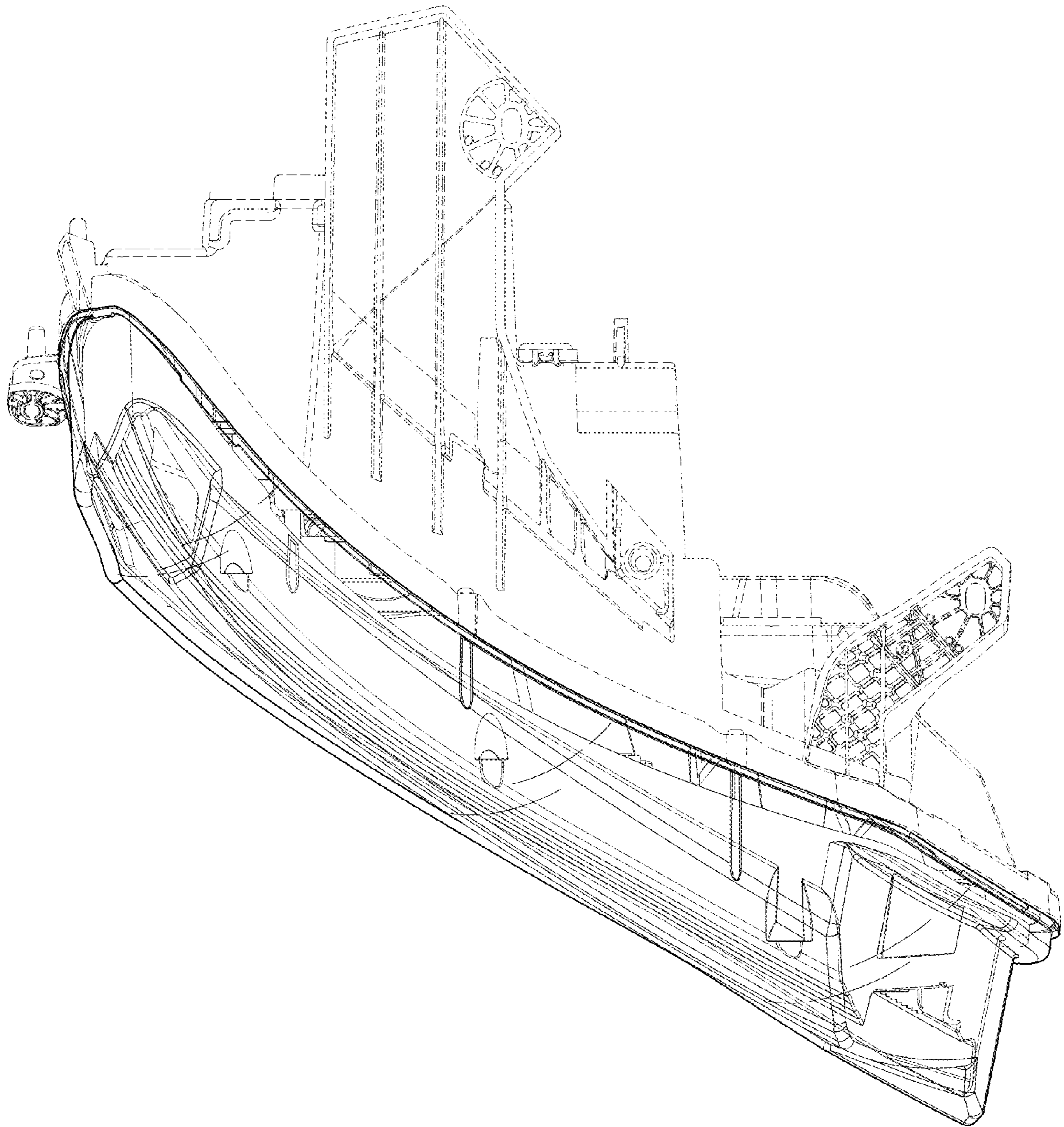


FIG. 6

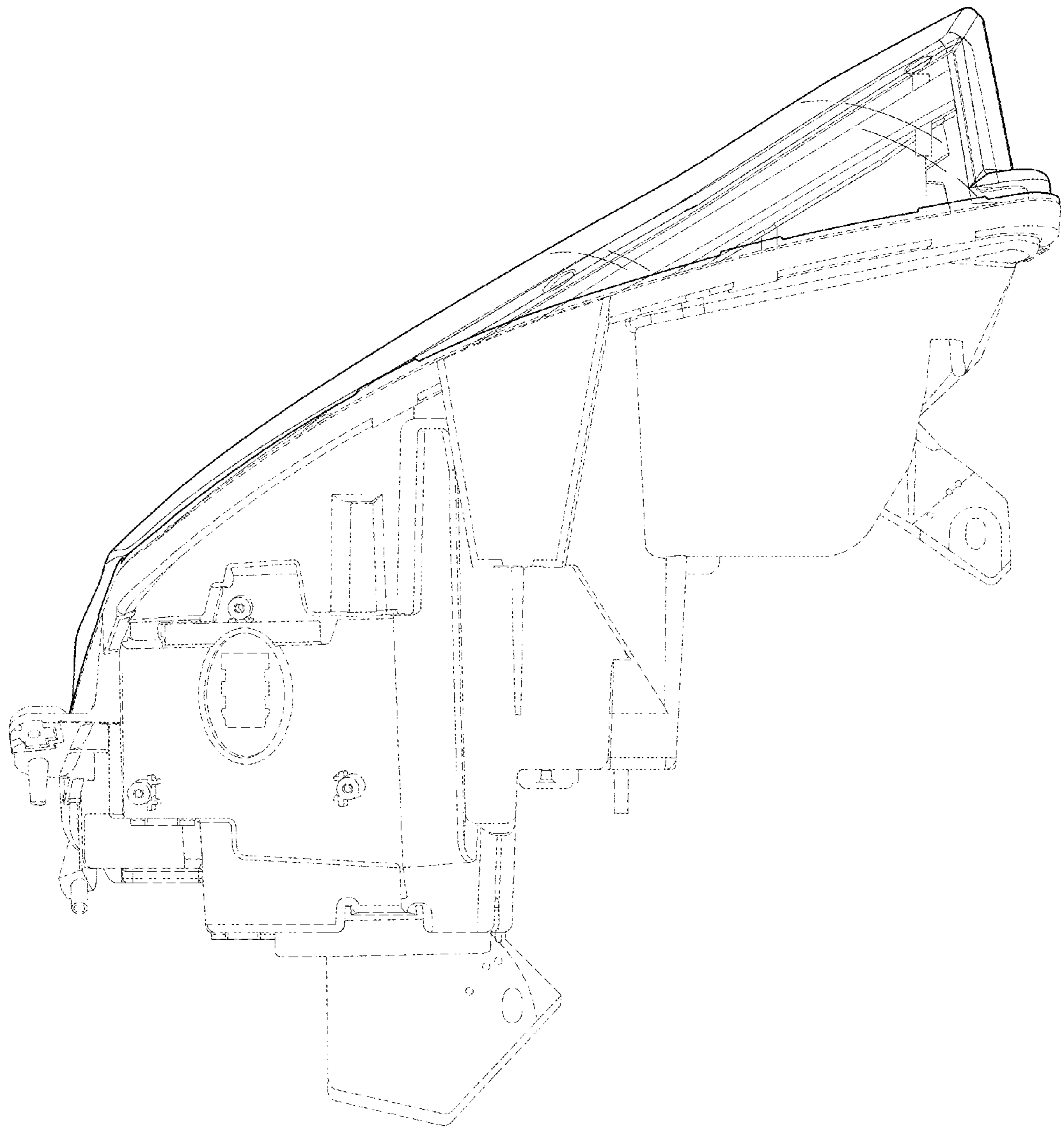


FIG. 7