



US00D930857S

(12) **United States Design Patent**
Nakabayashi et al.

(10) **Patent No.:** **US D930,857 S**

(45) **Date of Patent:** **** Sep. 14, 2021**

(54) **LIGHT-EMITTING UNIT**

(71) Applicant: **NICHIA CORPORATION**, Anan (JP)

(72) Inventors: **Takuya Nakabayashi**, Tokushima (JP);
Tomokazu Maruyama, Anan (JP);
Tetsuya Ishikawa, Anan (JP)

(73) Assignee: **NICHIA CORPORATION**, Anan (JP)

(**) Term: **15 Years**

(21) Appl. No.: **29/681,182**

(22) Filed: **Feb. 22, 2019**

Related U.S. Application Data

(63) Continuation of application No. 15/965,415, filed on Apr. 27, 2018.

(51) **LOC (13) Cl.** **26-04**

(52) **U.S. Cl.**

USPC **D26/1; D13/180**

(58) **Field of Classification Search**

USPC **D26/1; D13/180**

CPC **H01L 27/15; H01L 27/56; H01L 25/167;**

H01L 31/02; H01L 33/00; H01L 33/04;

H01L 33/08; H01L 33/10; H01L 33/20;

H01L 33/38; H01L 33/42; H01L 33/483;

H01L 33/486

See application file for complete search history.

(56) **References Cited**

U.S. PATENT DOCUMENTS

D508,573 S * 8/2005 Matsui D26/1

D636,900 S * 4/2011 Chou D26/1

D865,226 S * 10/2019 Liu D26/1

2006/0220205 A1 10/2006 Hongo et al.

2008/0203420 A1 8/2008 Higaki et al.

(Continued)

FOREIGN PATENT DOCUMENTS

EP 2674994 A1 12/2013

JP H02-36074 U 3/1990

(Continued)

OTHER PUBLICATIONS

United States Patent and Trademark Office, Non-Final Office Action issued to U.S. Appl. No. 15/965,415 dated Apr. 30, 2019, 21 pages.

(Continued)

Primary Examiner — Marcus A Jackson

(74) *Attorney, Agent, or Firm* — Hunton Andrews Kurth LLP

(57) **CLAIM**

The ornamental design for a light-emitting unit, as shown and described.

DESCRIPTION

FIG. 1 is a front right perspective view of a light-emitting unit showing our new design;

FIG. 2 is a bottom perspective view of the light-emitting unit of FIG. 1;

FIG. 3 is a front view of the light-emitting unit of FIG. 1;

FIG. 4 is a rear view of the light-emitting unit of FIG. 1;

FIG. 5 is a left side view of the light-emitting unit of FIG. 1;

FIG. 6 is a right side view of the light-emitting unit of FIG. 1;

FIG. 7 is a top view of the light-emitting unit of FIG. 1;

FIG. 8 is a bottom view of the light-emitting unit of FIG. 1;

and,

FIG. 9 is a rear perspective view of the light-emitting unit of FIG. 1.

The contrast in shading represents a contrast in appearance only and does not represent any particular color, material, texture or finish. The oblique shading lines in the drawings indicate a translucent material.

FIG. 1.

The contrast in shading represents a contrast in appearance only and does not represent any particular color, material, texture or finish. The oblique shading lines in the drawings indicate a translucent material.

only and does not represent any particular color, material, texture or finish. The oblique shading lines in the drawings indicate a translucent material.

texture or finish. The oblique shading lines in the drawings indicate a translucent material.

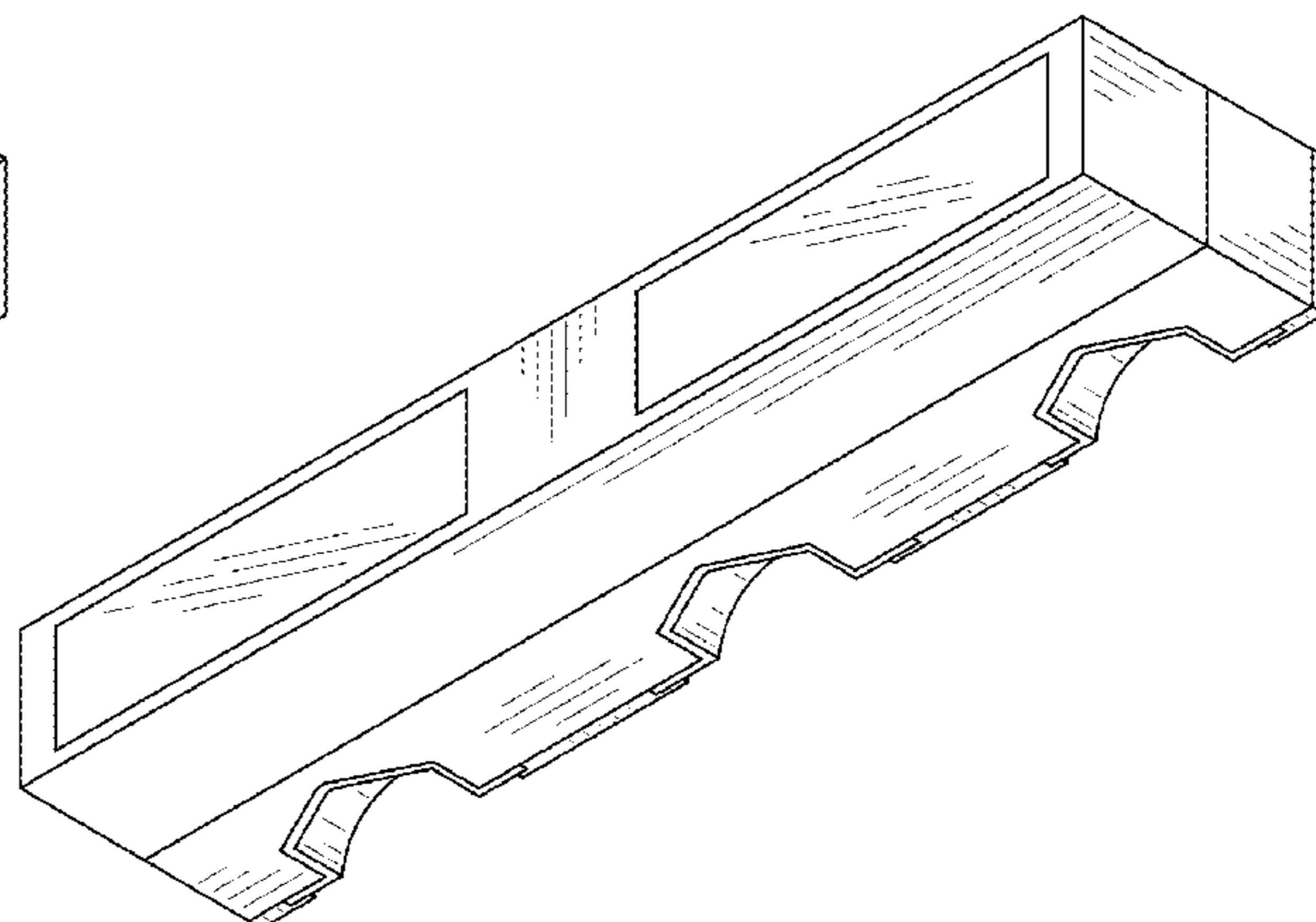
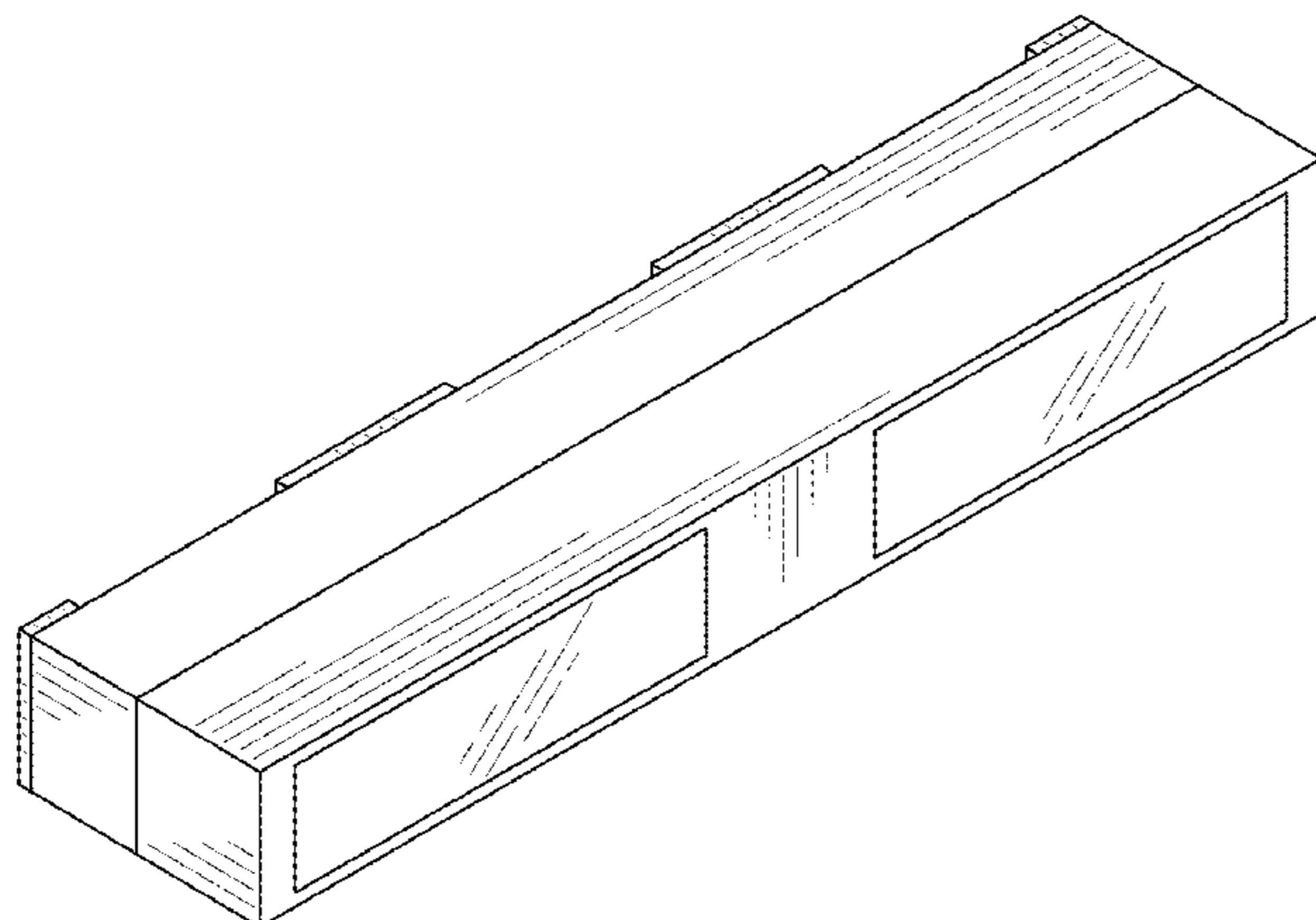
texture or finish. The oblique shading lines in the drawings indicate a translucent material.

texture or finish. The oblique shading lines in the drawings indicate a translucent material.

texture or finish. The oblique shading lines in the drawings indicate a translucent material.

texture or finish. The oblique shading lines in the drawings indicate a translucent material.

1 Claim, 6 Drawing Sheets



(56)

References Cited

U.S. PATENT DOCUMENTS

2009/0321750 A1 12/2009 Namioka
 2010/0207133 A1 8/2010 Taguchi
 2011/0051039 A1 3/2011 Okamoto et al.
 2013/0020595 A1 1/2013 Moriguchi et al.
 2013/0037847 A1 2/2013 Sugiura et al.
 2014/0014993 A1 1/2014 Koseki et al.
 2015/0064815 A1 3/2015 Harvey et al.
 2015/0340578 A1 11/2015 Tamaki et al.
 2015/0380622 A1 12/2015 Miyoshi et al.
 2017/0062684 A1 3/2017 Ikeda et al.

FOREIGN PATENT DOCUMENTS

JP 2001257465 A 9/2001
 JP 2002344030 A 11/2002
 JP 2004281994 A 10/2004
 JP 2007134602 A 5/2007
 JP 2009021417 A 1/2009
 JP 2009164176 A 7/2009
 JP 2012124191 A 6/2012
 JP 2013026510 A 2/2013
 JP 2013041865 A 2/2013
 JP 2013110210 A 6/2013
 JP 2014022407 A 2/2014
 JP 2014033237 A 2/2014
 JP 1509220 S 10/2014
 JP 1520180 S 3/2015
 JP 1520587 S 3/2015
 JP 1520588 S 3/2015
 JP 1532631 S 9/2015

JP 1532652 S 9/2015
 JP 2015220426 A 12/2015
 JP 1549004 S 5/2016
 JP 2017050369 A 3/2017
 JP 1594515 S 1/2018
 JP 1594516 S 1/2018
 JP 1594517 S 1/2018
 JP 1594942 S 1/2018
 JP 1594943 S 1/2018
 JP 1594944 S 1/2018
 JP 1594945 S 1/2018
 JP 1595035 S 1/2018
 JP 1595036 S 1/2018
 JP 1597645 S 2/2018
 JP 1597646 S 2/2018
 JP 1597647 S 2/2018
 KR 300982208 S 11/2018
 KR 300982209 S 11/2018
 KR 300983476 S 11/2018
 KR 300983476 S 12/2018
 KR 300985784 S 12/2018
 KR 300985787 S 12/2018
 KR 300985790 S 12/2018
 KR 300985791 S 12/2018
 KR 300985792 S 12/2018

OTHER PUBLICATIONS

United States Patent and Trademark Office, Non-Final Office Action issued to U.S. Appl. No. 15/965,415 dated Apr. 7, 2020, 10 pages.
 Non-Final Office Action, United States Patent and Trademark Office issued to U.S. Appl. No. 15/965,415 dated May 7, 2021, 5 pages.

* cited by examiner

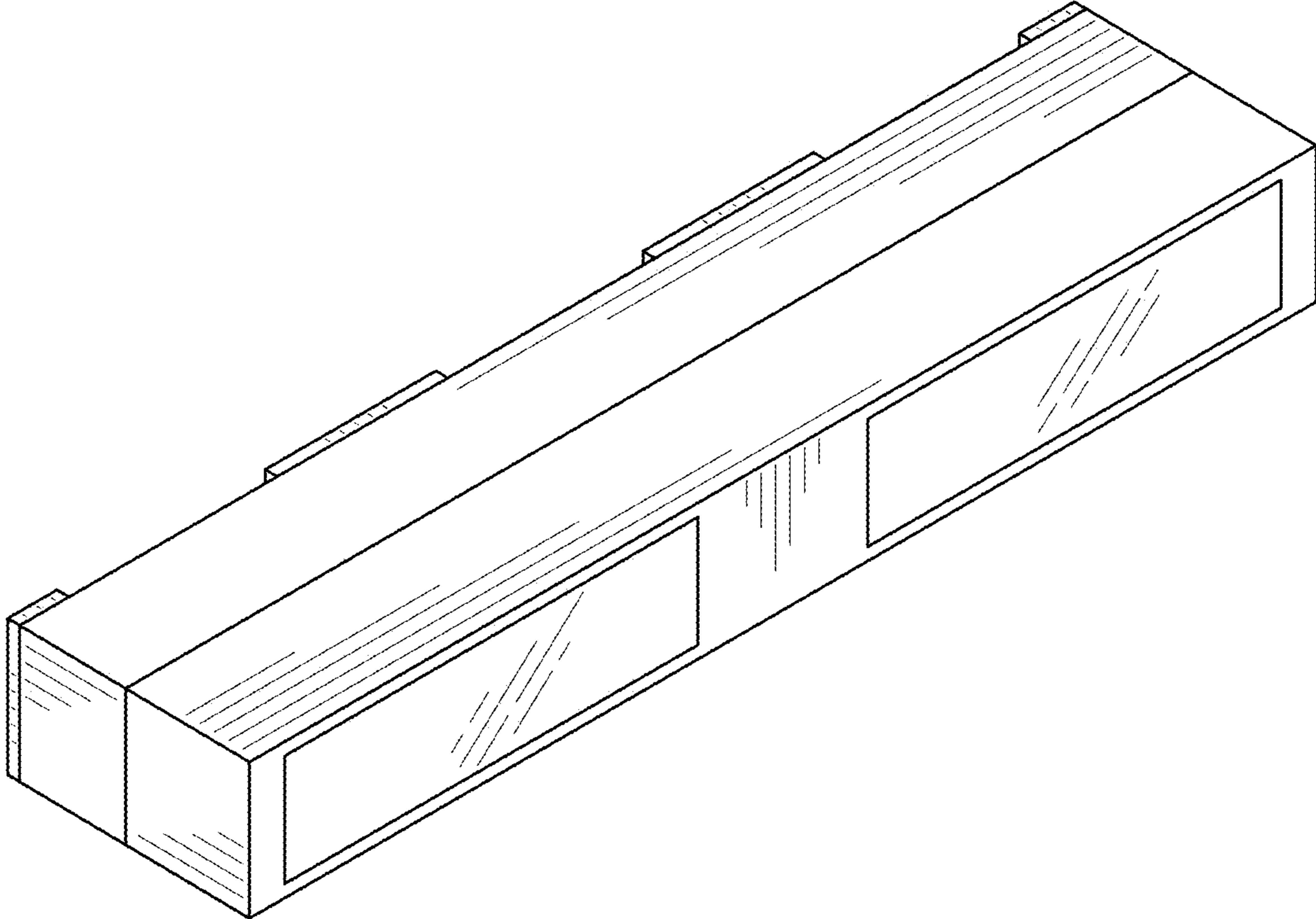


FIG. 1

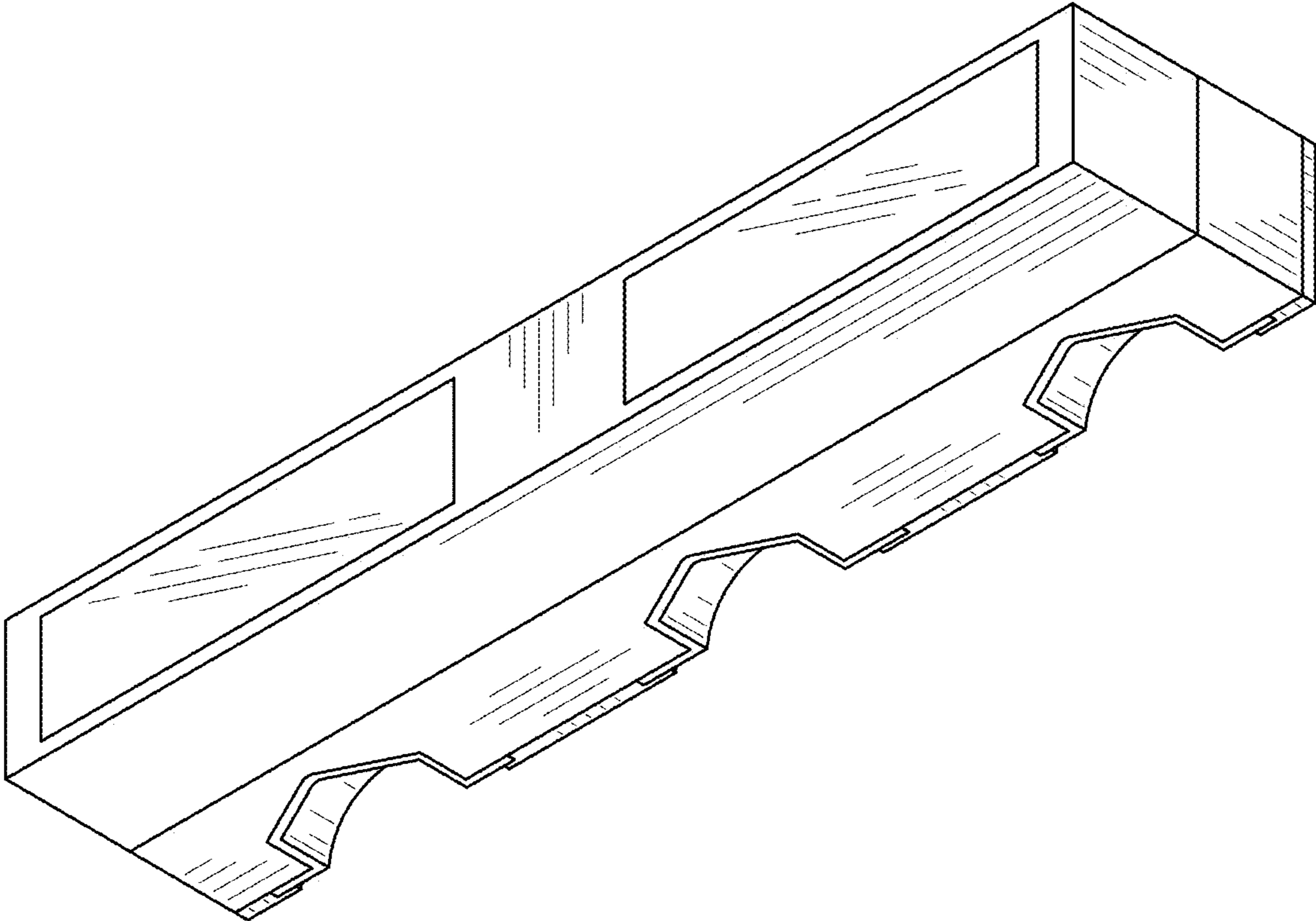


FIG. 2

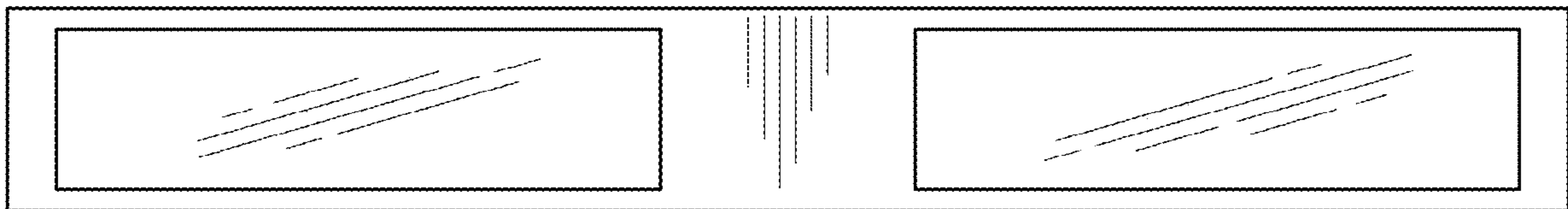


FIG. 3

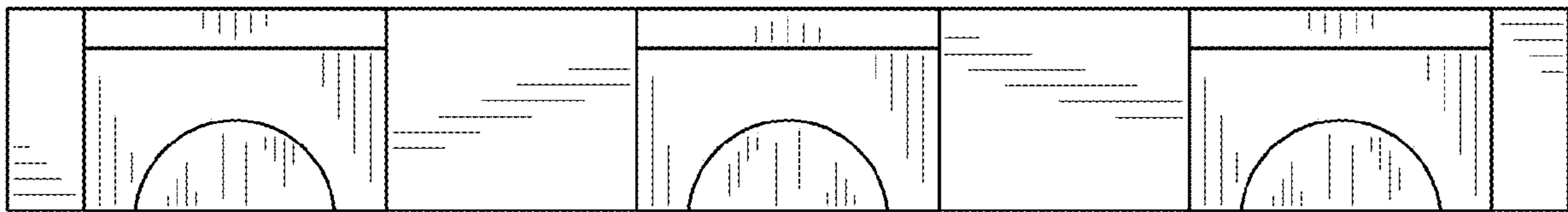


FIG. 4

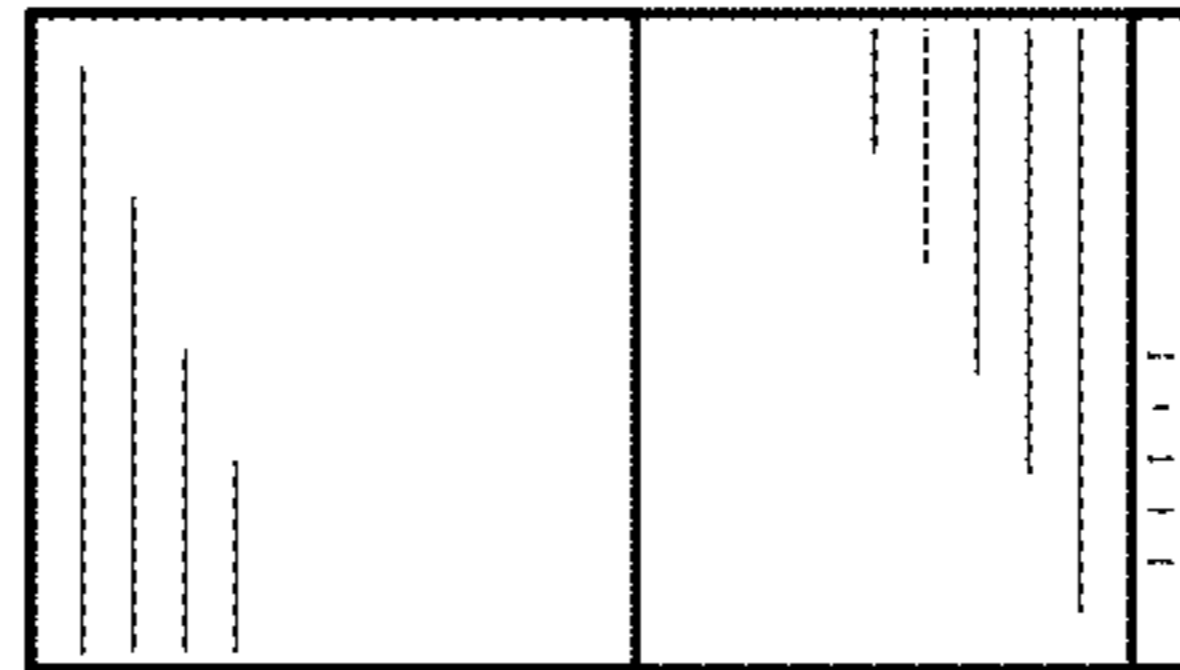


FIG. 5

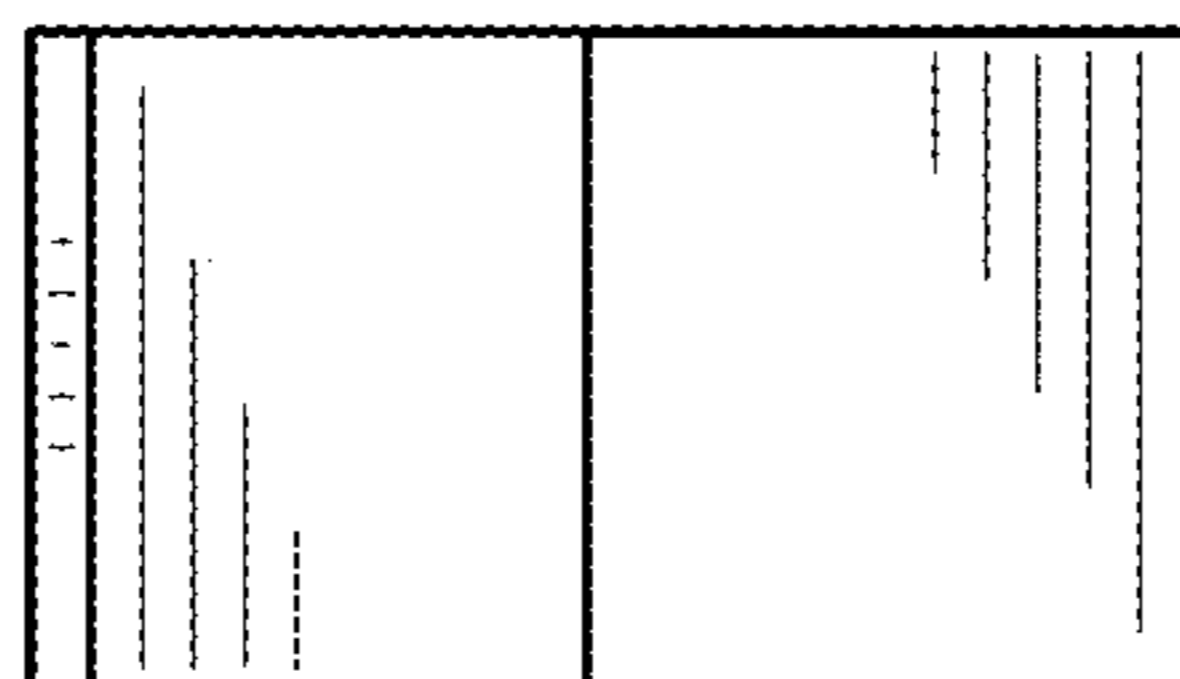


FIG. 6

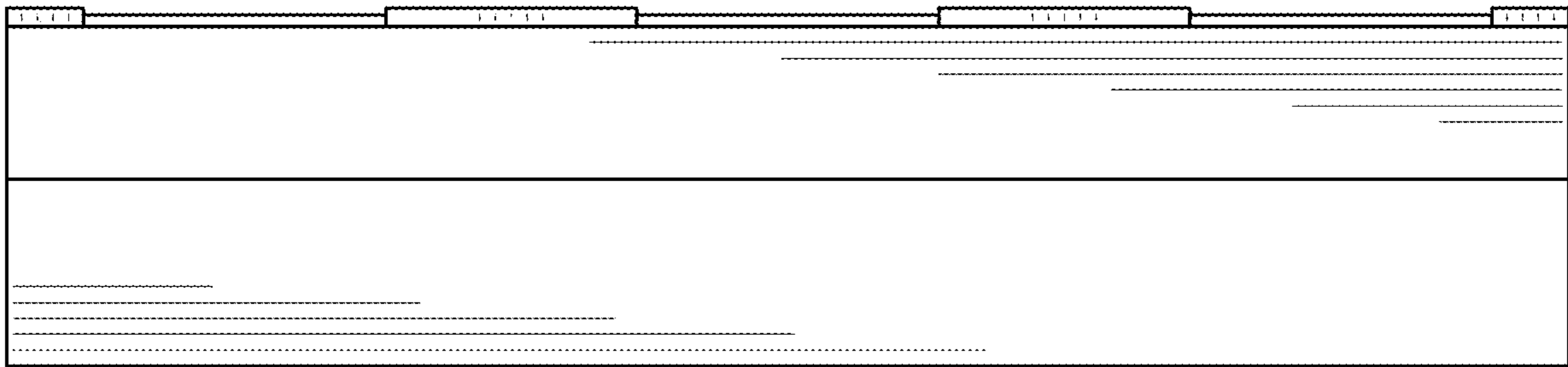


FIG. 7

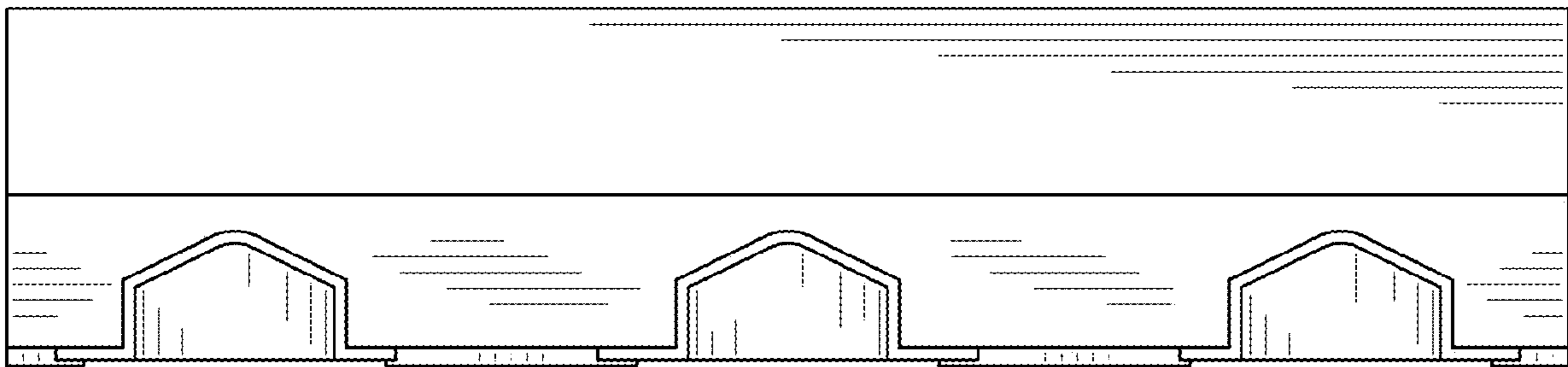


FIG. 8

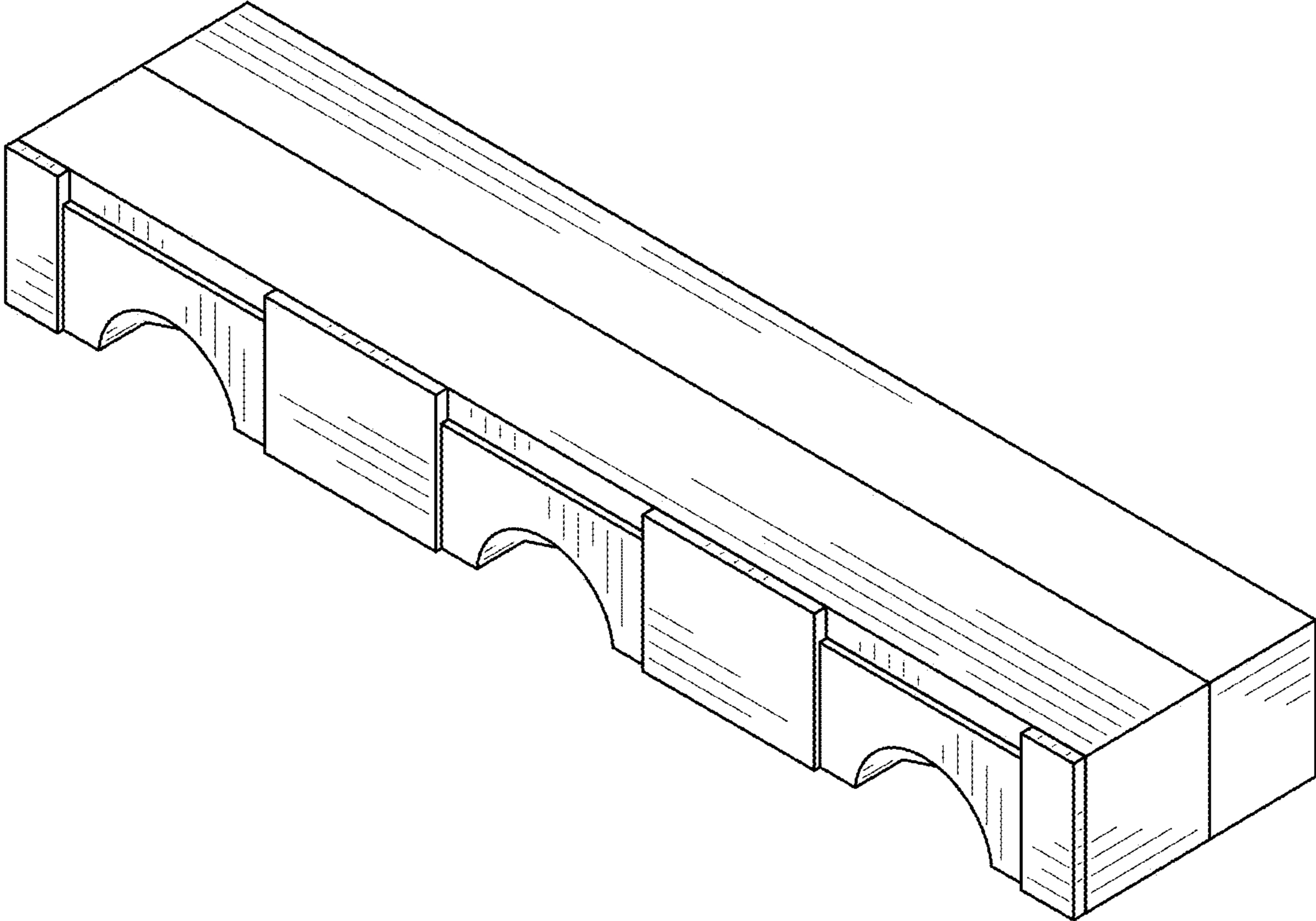


FIG. 9