



US00D930854S

(12) **United States Design Patent**
Leng

(10) **Patent No.:** **US D930,854 S**

(45) **Date of Patent:** **** Sep. 14, 2021**

(54) **LADDER END CAP**

2002/0189900 A1* 12/2002 Bremick E06C 7/48
182/108

(71) Applicant: **New-Tec Integration (Xiamen) Co., Ltd.**, Xiamen (CN)

* cited by examiner

(72) Inventor: **Luhao Leng**, Xiamen (CN)

Primary Examiner — Gino Colan

(73) Assignee: **New-Tec Integration (Xiamen) Co., Ltd.**, Xiamen (CN)

(74) *Attorney, Agent, or Firm* — Cooper Legal Group, LLC

(**) Term: **15 Years**

(57) **CLAIM**

(21) Appl. No.: **29/725,013**

The ornamental design for a ladder end cap, as shown and described.

(22) Filed: **Feb. 21, 2020**

(51) **LOC (13) Cl.** **25-04**

(52) **U.S. Cl.**
USPC **D25/68**

(58) **Field of Classification Search**
USPC D25/62–65, 68, 69; 182/165, 180.1, 21,
182/194, 225, 210, 129, 18, 161, 159,
182/204, 108, 200
CPC E06C 1/39; E06C 1/16; E06C 1/20
See application file for complete search history.

DESCRIPTION

FIG. 1 is a front elevation view of a ladder end cap showing the new design;
FIG. 2 is a rear elevation view thereof;
FIG. 3 is a left side elevation view thereof;
FIG. 4 is a right side elevation view thereof;
FIG. 5 is a top plan view thereof;
FIG. 6 is a bottom plan view thereof; and,
FIG. 7 is a perspective view thereof.

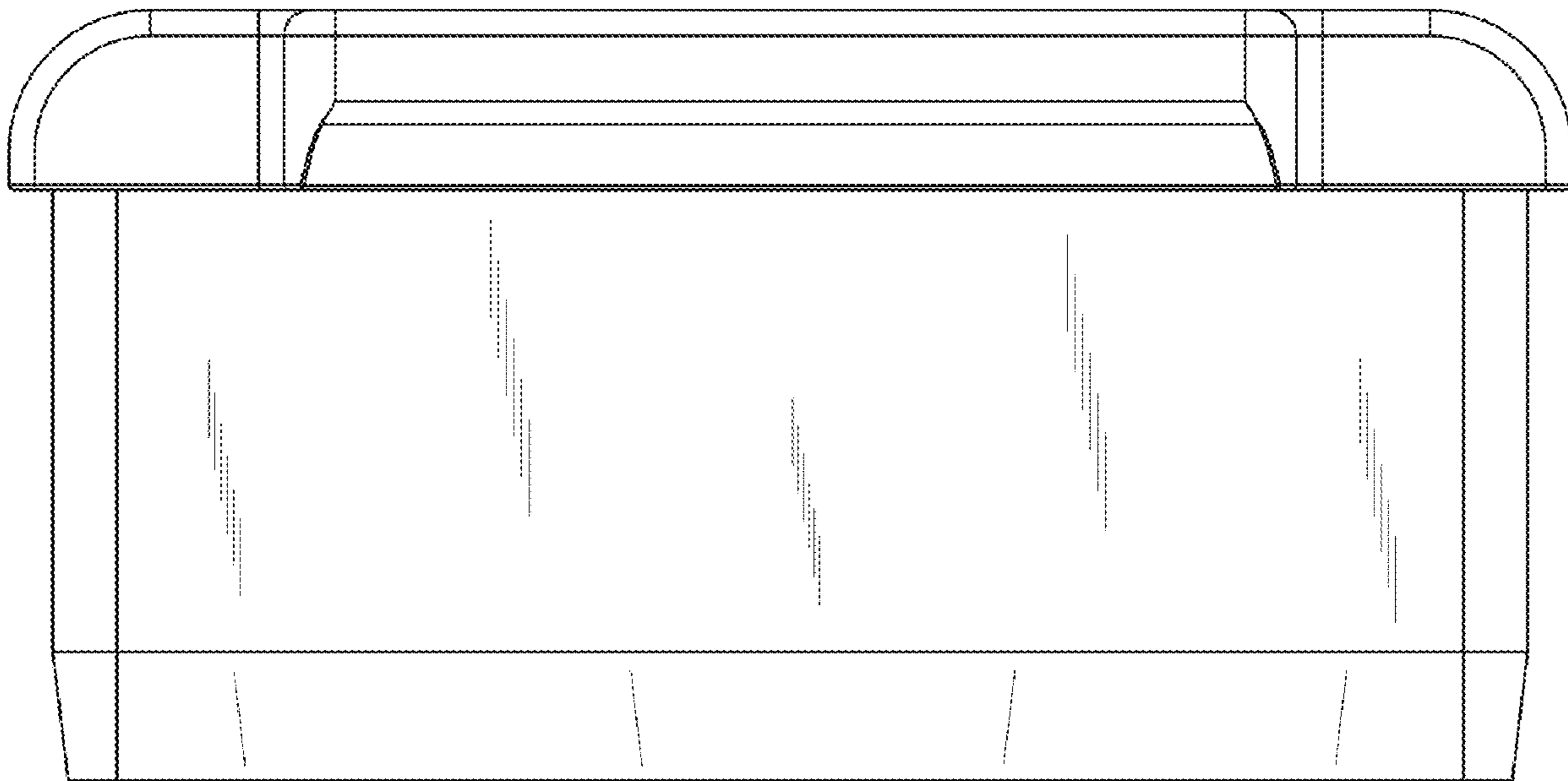
The broken lines shown in the figures are for the purpose of illustrating portions of the ladder end cap and form no part of the claimed design.

(56) **References Cited**

U.S. PATENT DOCUMENTS

D817,516 S * 5/2018 Moreno D25/68
10,513,886 B2 * 12/2019 Leng A47B 13/06

1 Claim, 7 Drawing Sheets



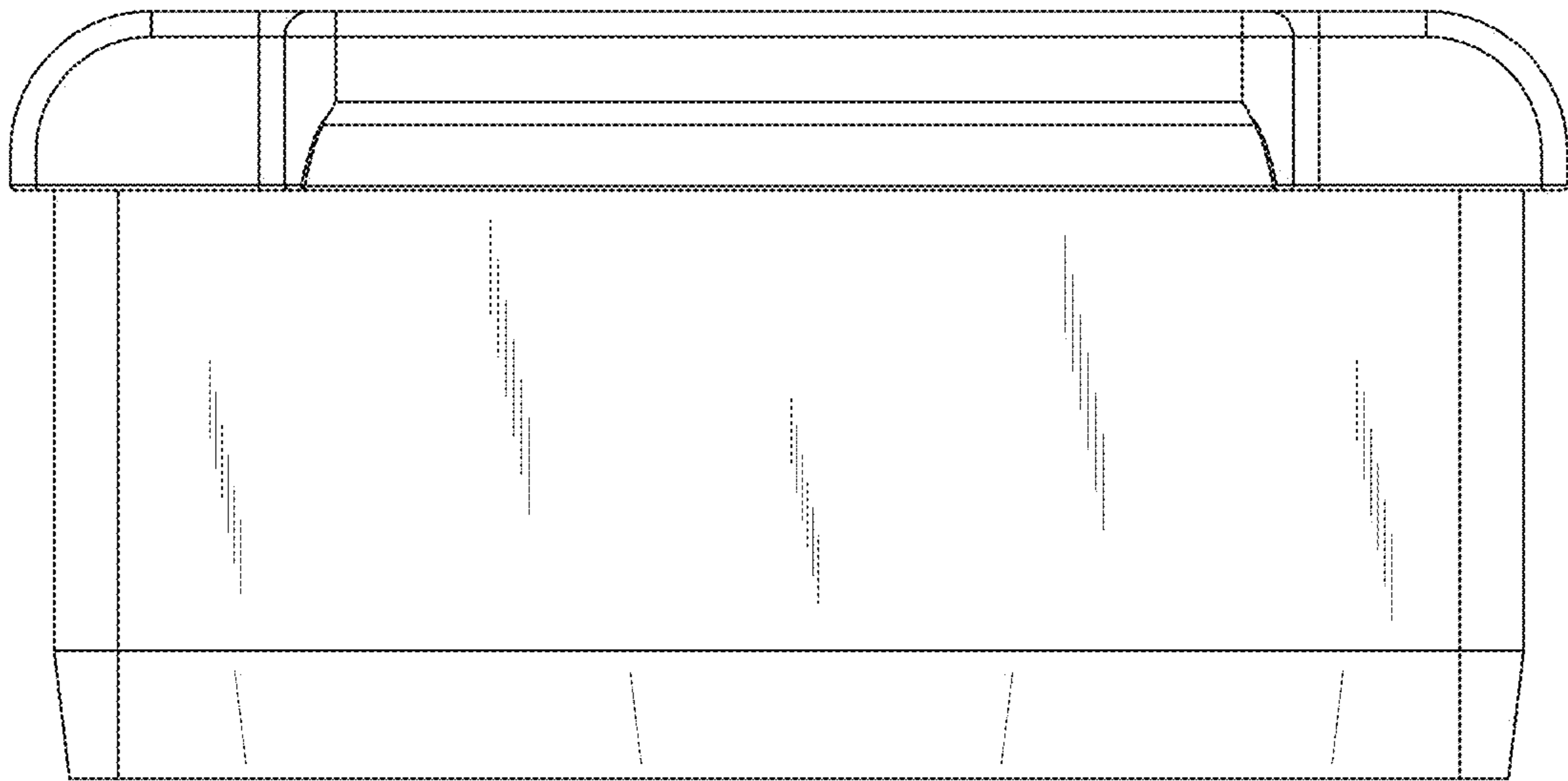


FIG. 1

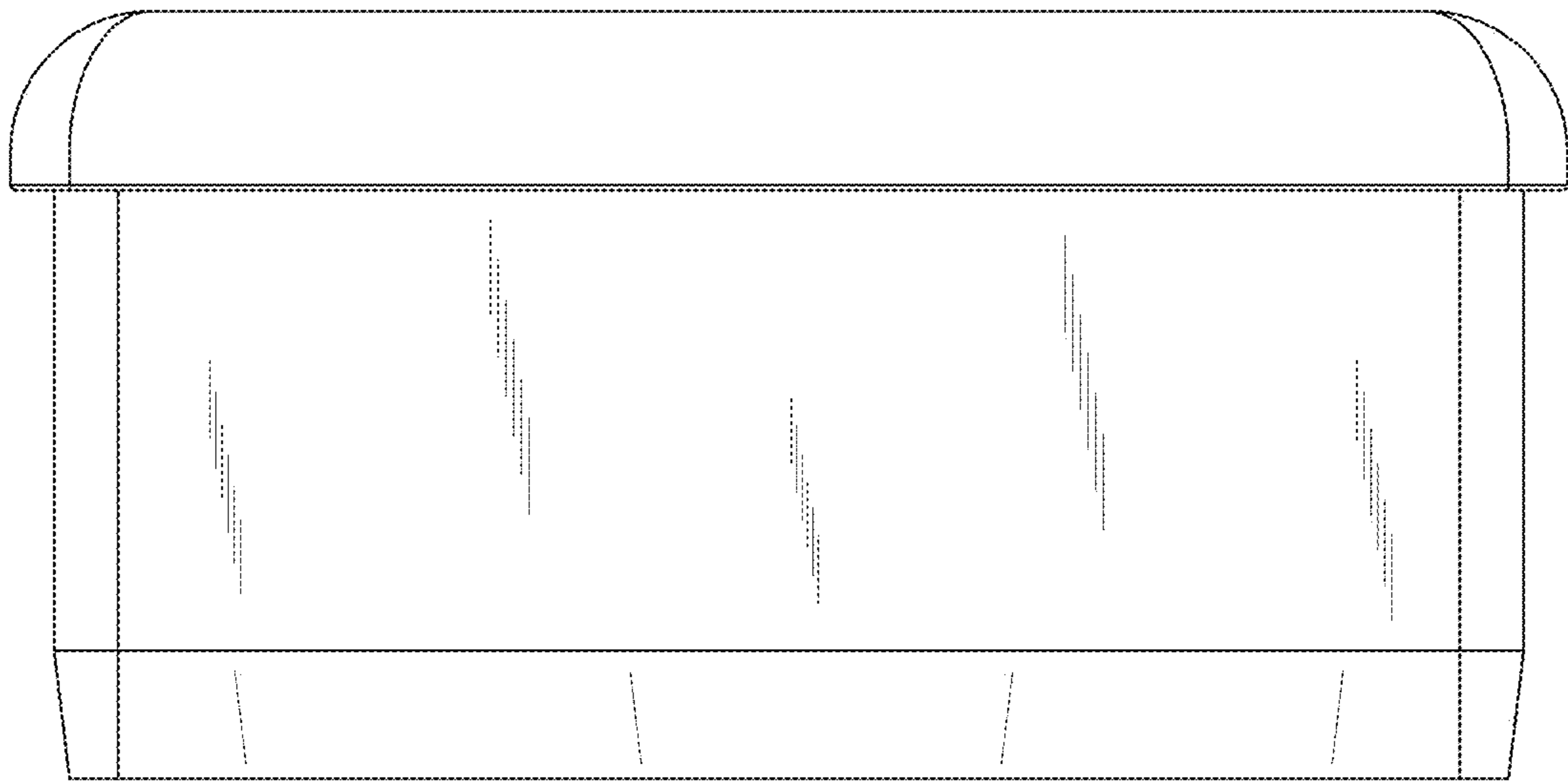


FIG. 2

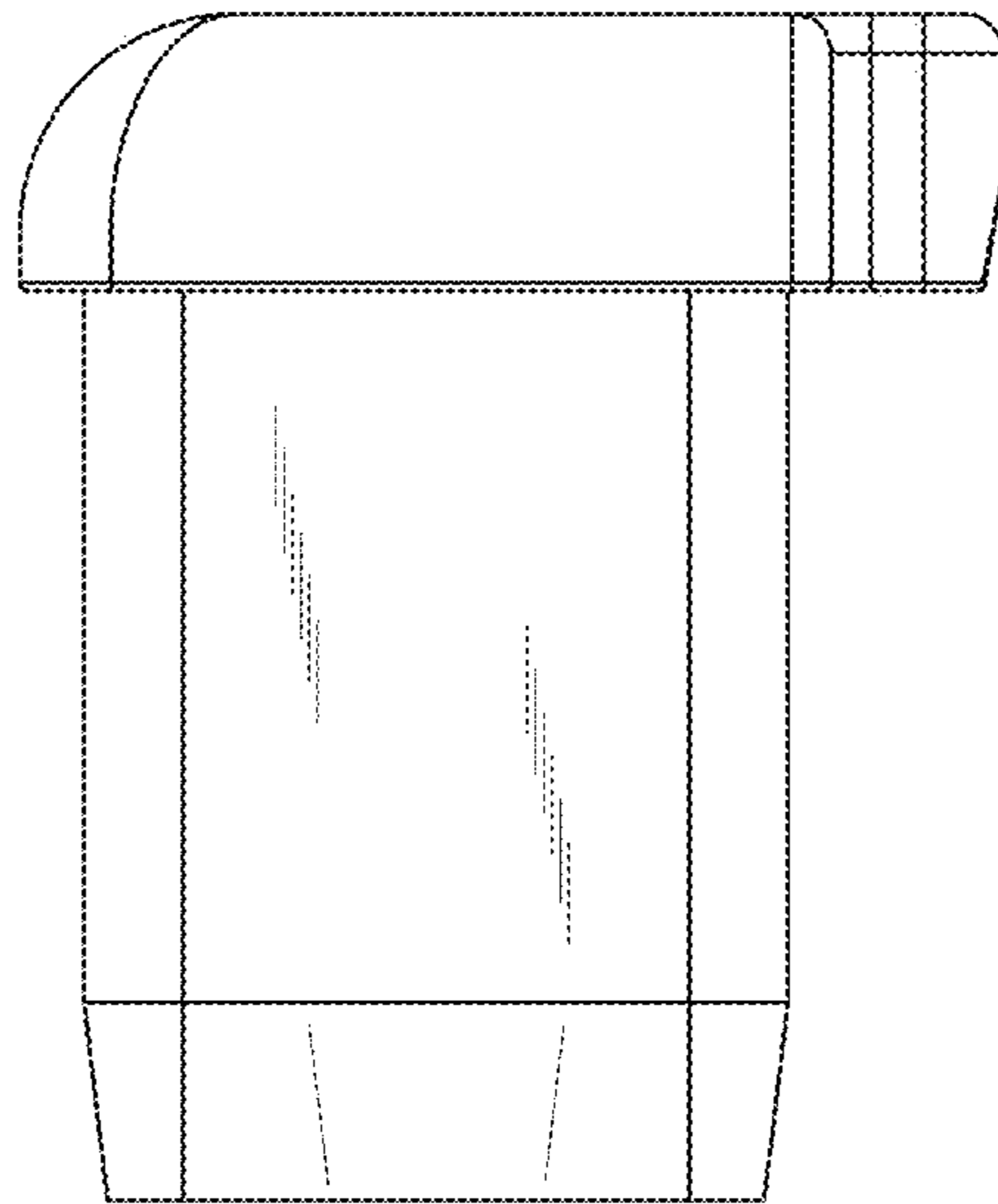


FIG. 3

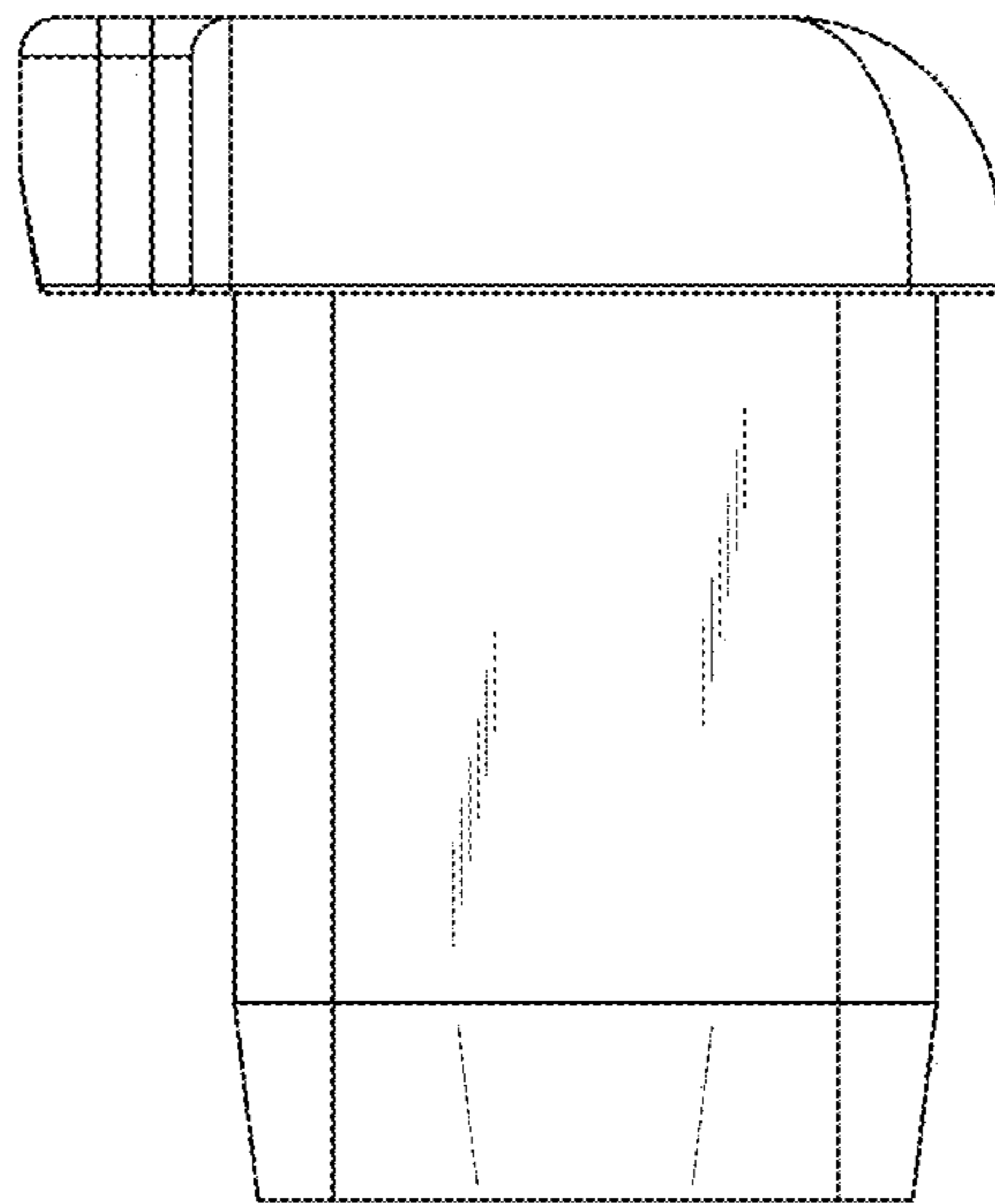


FIG. 4

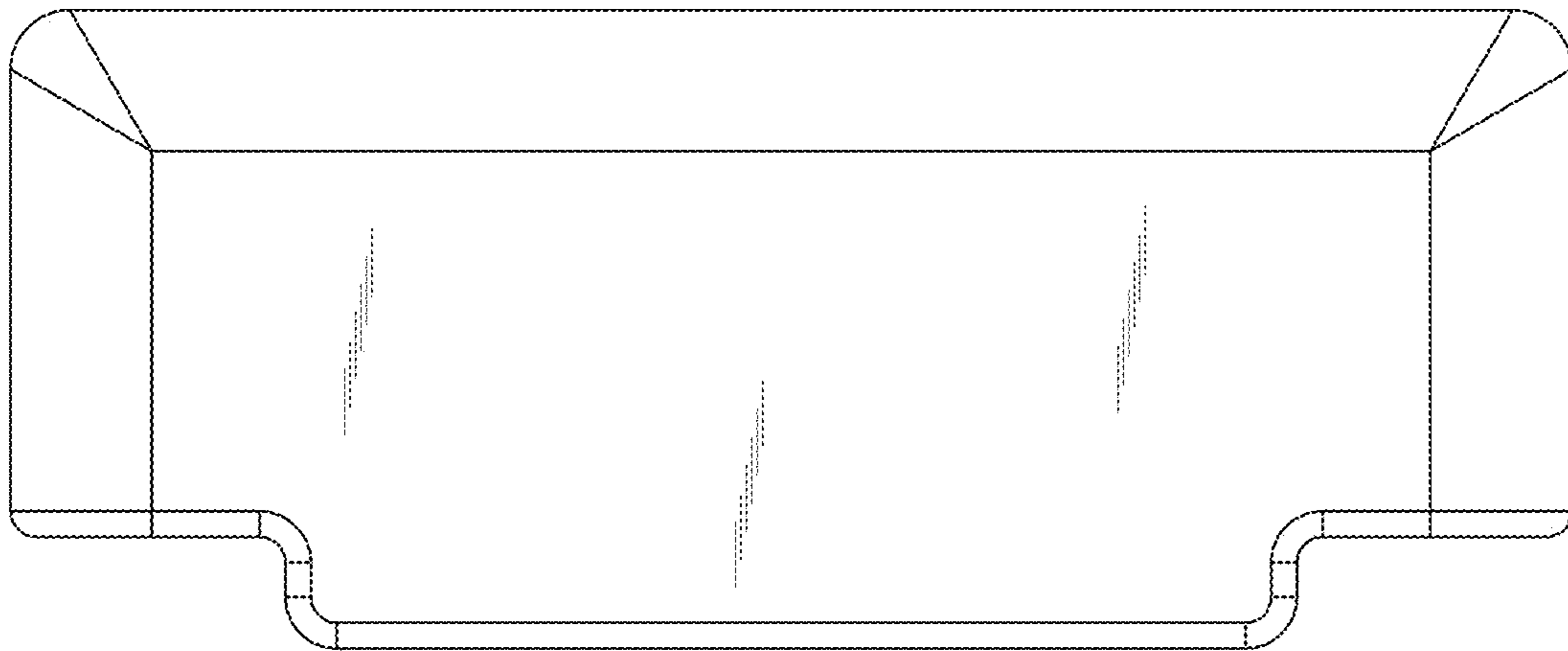


FIG. 5

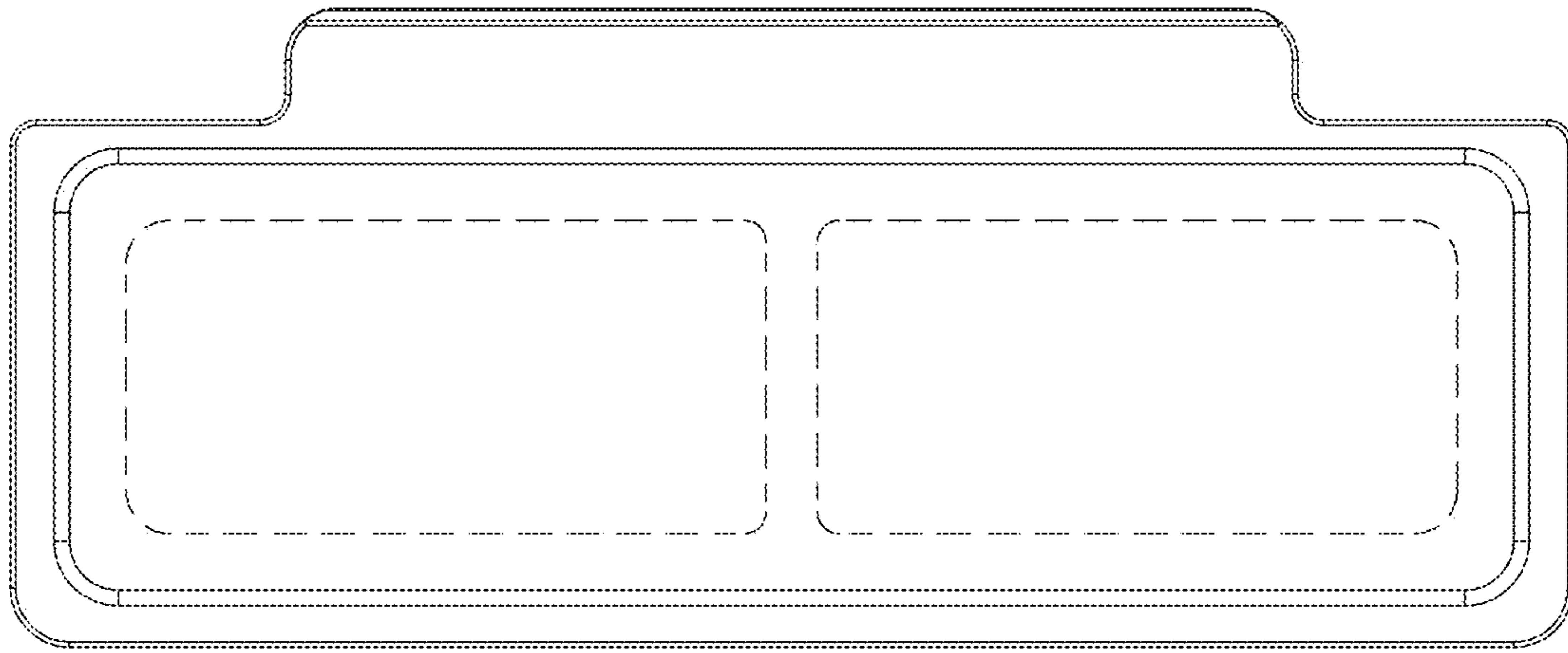


FIG. 6

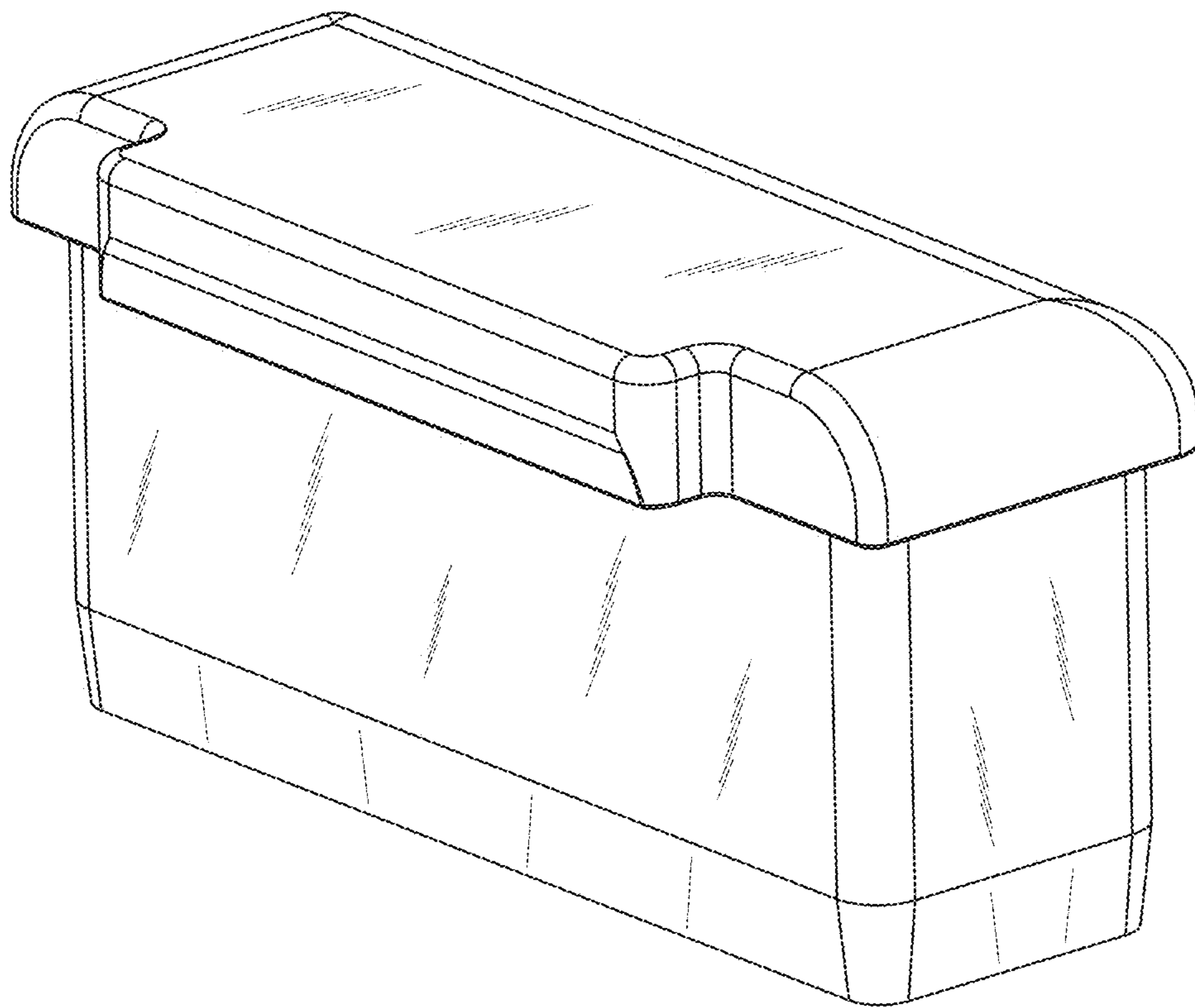


FIG. 7