



US00D930852S

(12) **United States Design Patent** (10) **Patent No.:** **US D930,852 S**
Rapier et al. (45) **Date of Patent:** **** Sep. 14, 2021**

(54) **STORAGE RACK FOR STERILE PACKAGING**
(71) Applicant: **DEPUY SYNTHES PRODUCTS, INC.**, Raynham, MA (US)
(72) Inventors: **Rhett A. Rapier**, Trimbach (CH); **Peter Schmid**, Zuchwil (CH); **Roland Huber**, Hagglingen (CH); **John Anastasiadis**, Tinton Falls, NJ (US)
(73) Assignee: **DEPUY SYNTHES PRODUCTS, INC.**, Raynham, MA (US)
(**) Term: **15 Years**
(21) Appl. No.: **29/686,117**
(22) Filed: **Apr. 2, 2019**
(51) **LOC (13) Cl.** **24-02**
(52) **U.S. Cl.**
USPC **D24/227; D24/230**
(58) **Field of Classification Search**
USPC D24/107, 169, 186, 216, 223-230, 121; D9/756-758
CPC B01L 9/06; B01L 3/502; A47B 88/988
See application file for complete search history.

3,480,152 A 11/1969 Walsh
3,643,812 A 2/1972 Mander
3,759,538 A 9/1973 Fabiano
3,762,594 A 10/1973 Utz
3,940,249 A 2/1976 McClurg
(Continued)

FOREIGN PATENT DOCUMENTS

DE 9101408 U1 6/1992
IN 286865 * 9/2016
WO 2009024189 A2 2/2009

OTHER PUBLICATIONS

Lab Supplies. Online, published date unknown. Retrieved on May 21, 2020 from URL: <https://www.aliexpress.com/item/32843468724.html>.*

(Continued)

Primary Examiner — Susan Bennett Hattan
Assistant Examiner — Omeed Agilee
(74) *Attorney, Agent, or Firm* — Kramer Amado PC

(57) **CLAIM**

The ornamental design for a storage rack for sterile packaging, as shown and described.

DESCRIPTION

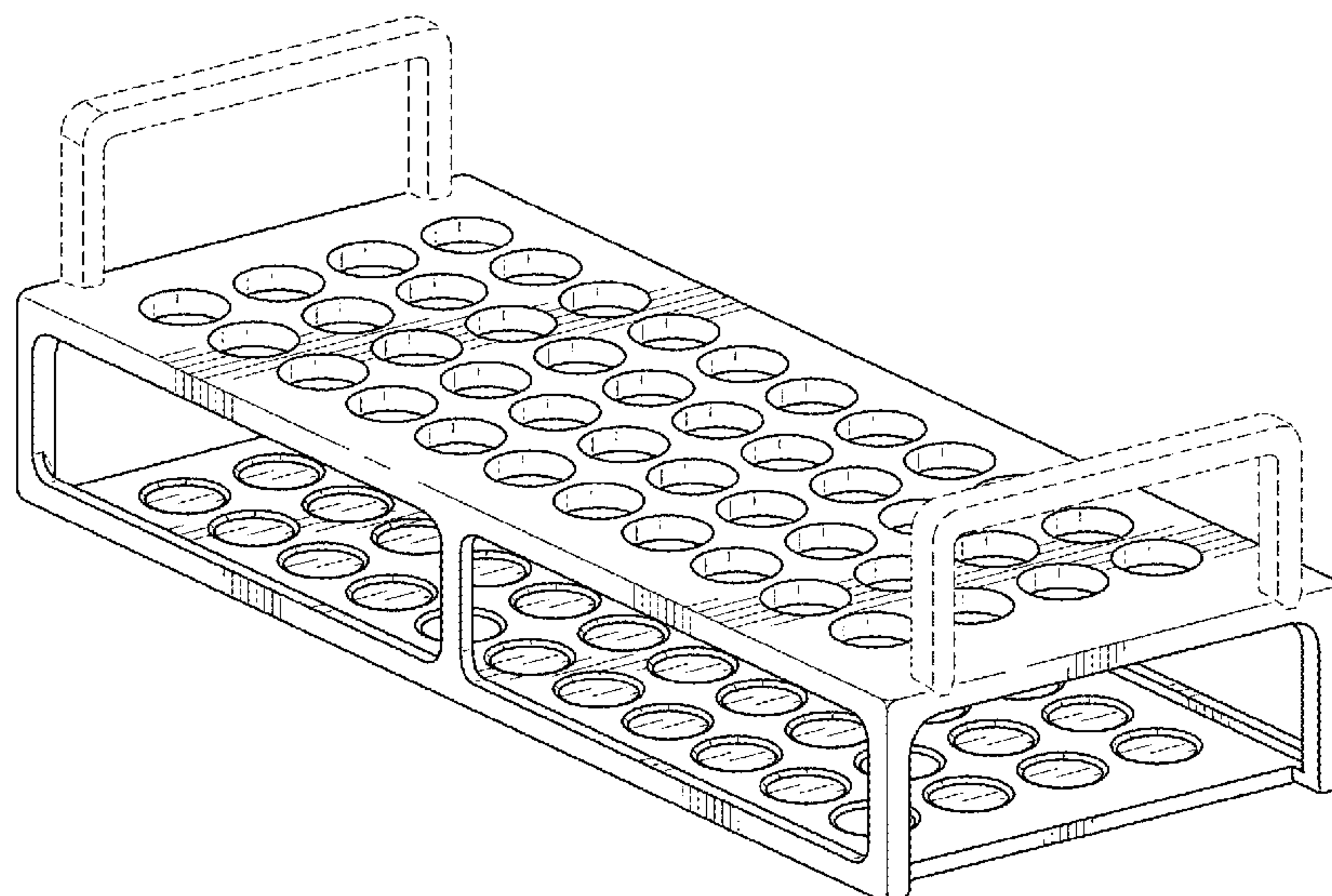
FIG. 1 is a top, front and right perspective view of a storage rack for sterile packaging showing our new design.
FIG. 2 is a top plan view thereof;
FIG. 3 is a bottom plan view thereof;
FIG. 4 is a right side elevational view thereof;
FIG. 5 is a left side elevational view thereof;
FIG. 6 is a front elevational view thereof; and,
FIG. 7 is a rear elevational view thereof.
The broken lines in the drawings depict portions of the storage rack for sterile packaging that form no part of the claimed design.

1 Claim, 3 Drawing Sheets

(56) **References Cited**

U.S. PATENT DOCUMENTS

118,451 A 8/1871 Harris
742,581 A 10/1903 Burtch
857,763 A 6/1907 Smith
1,092,156 A 4/1914 Mathis
1,733,868 A 10/1929 Durell
2,046,864 A 7/1936 Baker
D169,077 S 3/1953 Mains
2,637,299 A 5/1953 Salkey
2,815,863 A 12/1957 Larson
D185,807 S 8/1959 Antle
2,979,210 A * 4/1961 Patterson B01L 9/06
211/74
3,298,531 A 1/1967 Wilcke



(56)

References Cited

U.S. PATENT DOCUMENTS

D240,239 S 6/1976 Calandrino
 D245,118 S * 7/1977 Heaton D24/230
 4,111,754 A 9/1978 Park
 D250,348 S 11/1978 Frangiosa
 4,124,122 A 11/1978 Emmitt
 4,160,803 A 7/1979 Potts
 D257,390 S * 10/1980 Hahn D24/230
 D258,145 S 2/1981 Potts
 4,284,603 A 8/1981 Korom
 D265,126 S * 6/1982 Beall D24/230
 4,407,958 A 10/1983 Degraff, Jr.
 4,438,068 A 3/1984 Forrest
 4,495,150 A 1/1985 Cook
 D283,946 S 5/1986 Chase
 D284,700 S 7/1986 Mehra
 D288,484 S * 2/1987 Mitchell D24/230
 4,773,544 A 9/1988 McCarthy
 4,972,947 A 1/1990 McCarthy
 5,011,028 A 4/1991 Sweeney
 D318,332 S * 7/1991 Allen D24/229
 5,047,210 A 9/1991 Melet
 5,080,232 A 1/1992 Leoncavallo
 5,128,105 A 7/1992 Berthold
 5,133,939 A 7/1992 Mahe
 5,244,700 A 9/1993 Banschick
 5,358,112 A 10/1994 Gardner
 D360,321 S * 7/1995 Wang D6/682.2
 5,456,360 A 10/1995 Griffin
 5,598,933 A 2/1997 Lessard
 D387,874 S * 12/1997 Vila D24/227
 5,833,250 A 11/1998 Schier
 5,993,745 A 11/1999 Laska
 5,996,818 A 12/1999 Boje
 6,132,684 A 10/2000 Marino
 6,171,554 B1 1/2001 Kalmakis
 6,193,892 B1 2/2001 Krueger
 6,250,480 B1 6/2001 McGuinness
 6,178,896 B1 11/2001 Houk, Jr.
 D461,554 S * 8/2002 Lafond D24/227
 6,436,351 B1 8/2002 Gubemator
 6,508,369 B2 1/2003 Wang
 6,568,544 B1 5/2003 Lafond
 6,663,836 B1 12/2003 Kalmakis
 7,036,668 B2 5/2006 Udy
 7,232,038 B2 6/2007 Whitney
 D566,851 S * 4/2008 Hawker D24/230
 D591,425 S * 4/2009 Hawker D24/230
 D624,360 S 9/2010 Leavelle

D638,138 S 5/2011 Wong
 8,061,517 B2 11/2011 Loeffler et al.
 D659,850 S 5/2012 Thom
 D683,046 S * 5/2013 Yin D24/230
 8,505,723 B2 8/2013 Clark
 8,940,252 B2 * 1/2015 Ziegler G01N 35/026
 422/562
 D785,428 S * 5/2017 Friesen D8/71
 9,776,188 B1 10/2017 Kamees
 D814,653 S * 4/2018 Shedlosky D24/229
 10,034,806 B1 7/2018 Greenbaugh, Sr.
 D848,638 S * 5/2019 Sims D24/226
 D849,961 S * 5/2019 Muller D24/224
 D867,614 S * 11/2019 Jones D24/227
 D882,818 S * 4/2020 Leimkuehler D24/227
 D906,537 S * 12/2020 Sims D24/224
 D913,753 S * 3/2021 Zheng D7/600.1
 2002/0108917 A1 8/2002 Maruyama
 2002/0170867 A1 11/2002 Liu
 2003/0017084 A1 1/2003 Dale
 2003/0034317 A1 2/2003 Lafond
 2004/0188367 A1 9/2004 Pleiman
 2005/0165287 A1 7/2005 Wescott
 2005/0205673 A1 9/2005 Morris
 2007/0062892 A1 3/2007 Donnellan
 2007/0235395 A1 10/2007 Mondale
 2008/0075634 A1 3/2008 Herchenbach
 2008/0164210 A1 7/2008 Demarco
 2011/0274595 A1 11/2011 Ziegler
 2012/0085720 A1 4/2012 Bettenhausen
 2012/0175328 A1 7/2012 Bosch
 2015/0336102 A1 11/2015 Tyagi
 2016/0058249 A1 5/2016 Pitman
 2017/0361325 A1 12/2017 Kantor
 2018/0064507 A1 3/2018 Brian et al.
 2018/0116747 A1 5/2018 Matityahu et al.
 2018/0206933 A1 7/2018 Richard et al.
 2019/0060909 A1 2/2019 Wardenburg
 2019/0070573 A1 * 3/2019 Akiyama G01N 1/38
 2021/0094037 A1 * 4/2021 An B01L 9/06

OTHER PUBLICATIONS

Written Opinion of the International Searching Authority re: International Application No. PCT/IB2020/053054; dated Jan. 2015; 7 pages.
 Notification of Transmittal of The International Searching Report re: international Application No. PCT/IB2020/053054 dated May 27, 2020; 6 pages.

* cited by examiner

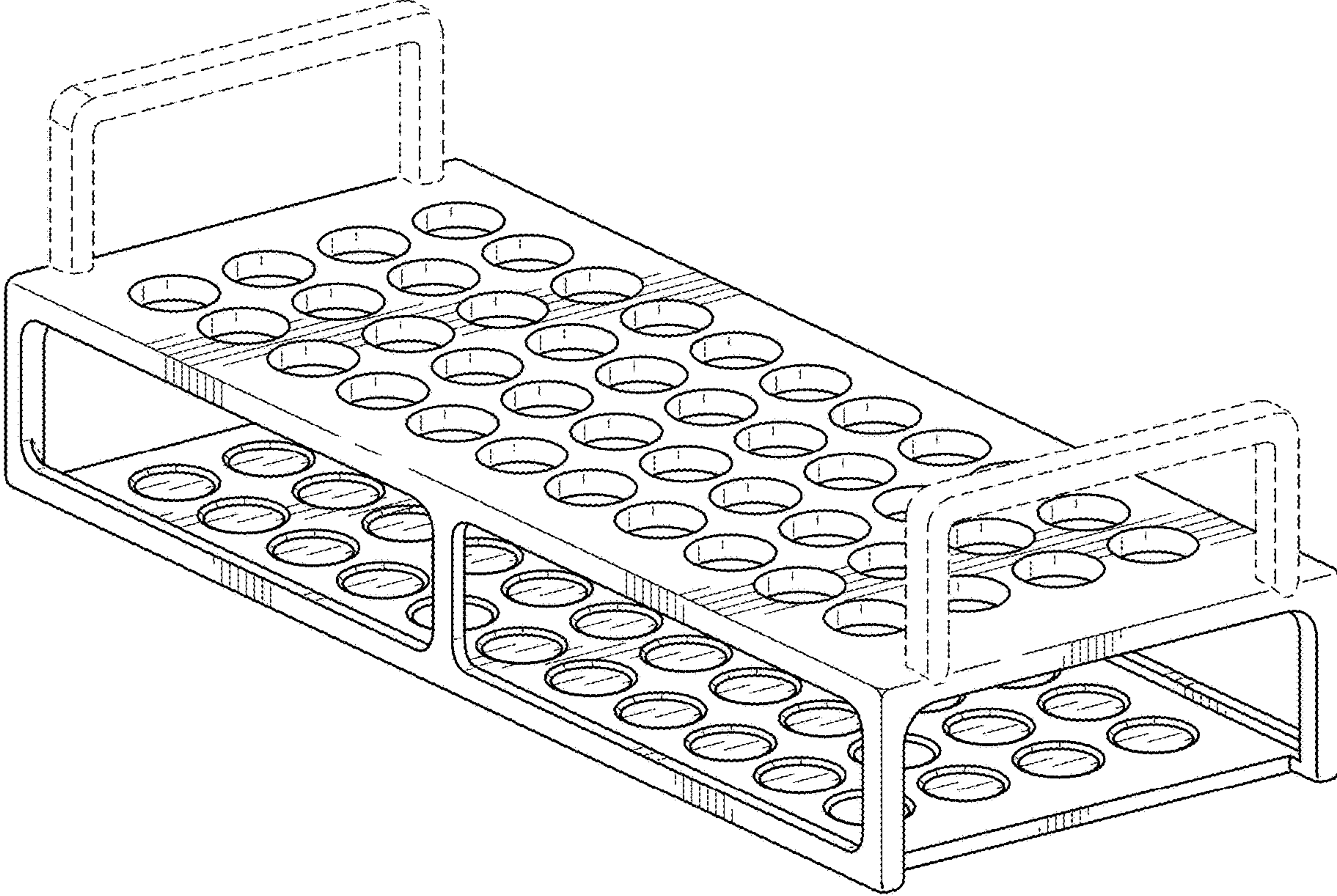


FIG. 1

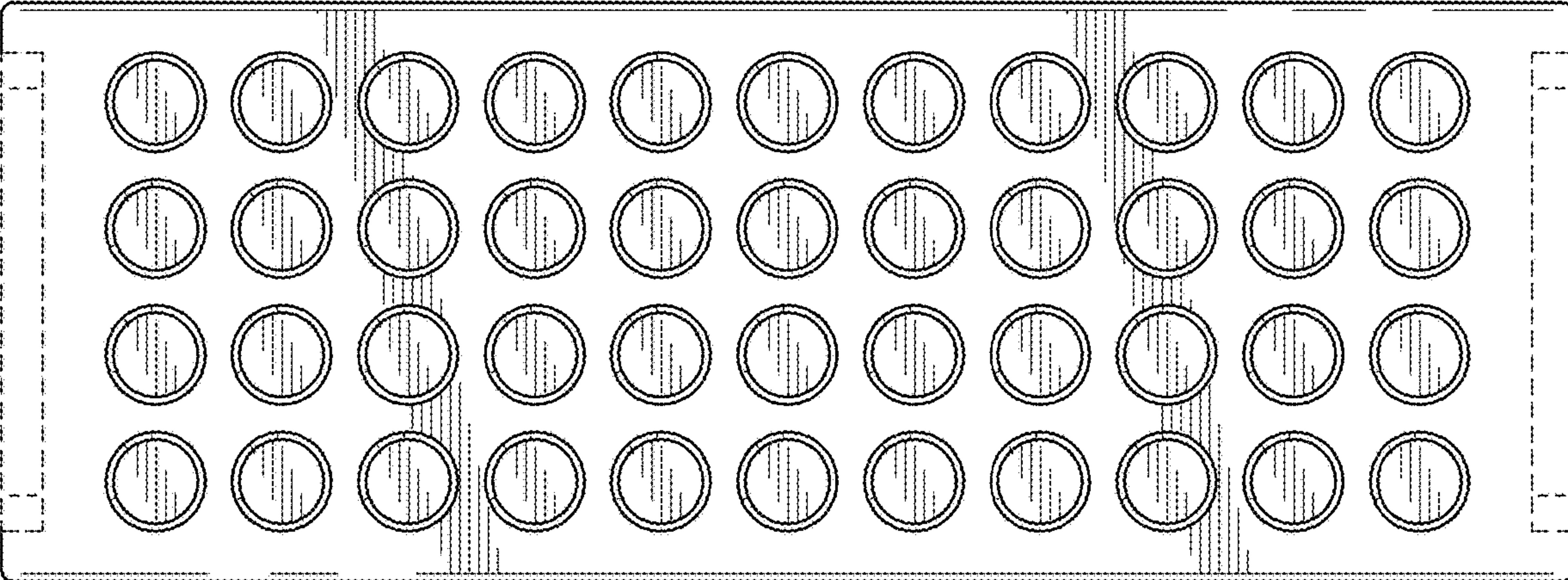


FIG. 2



FIG. 3

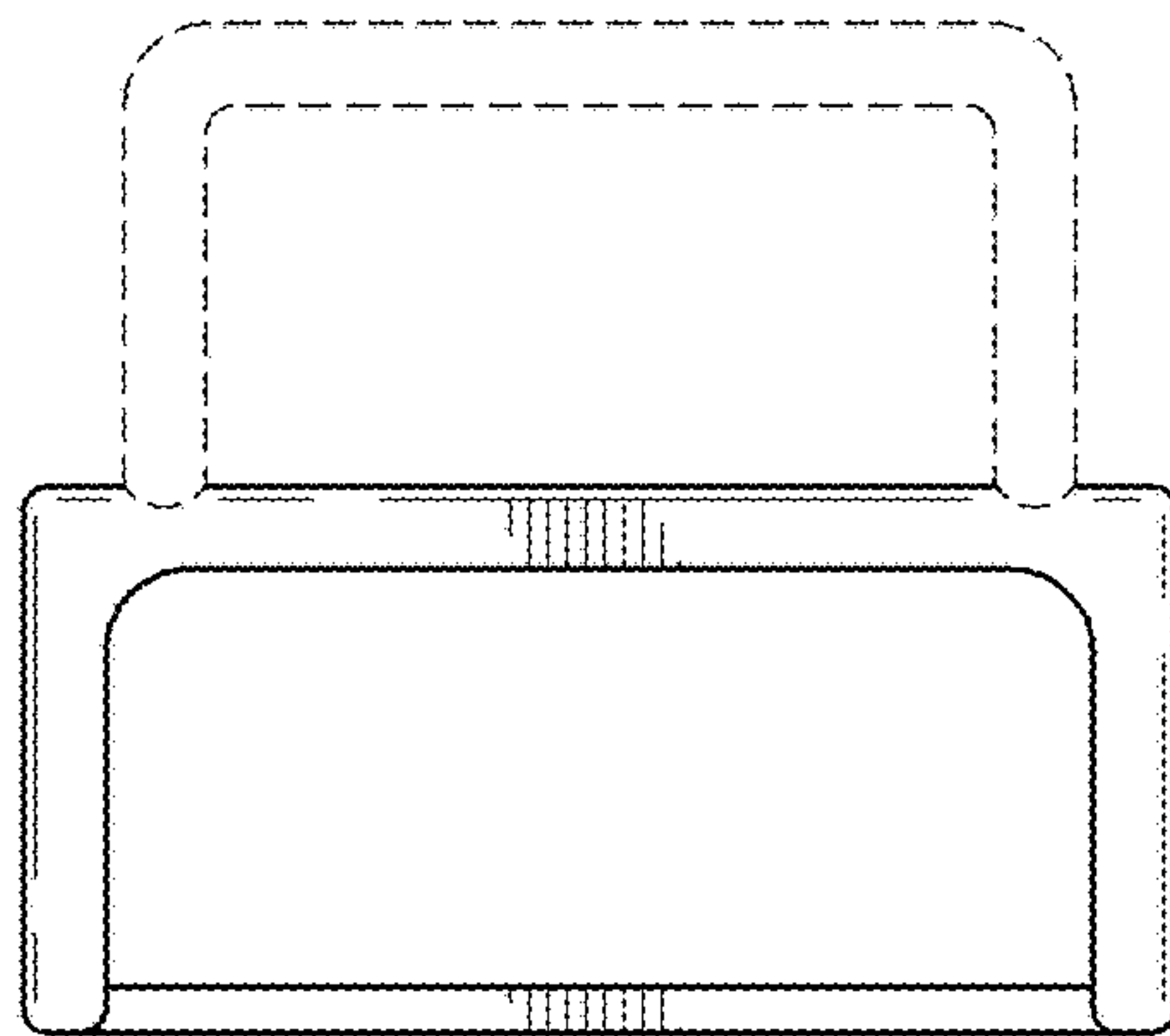


FIG. 4

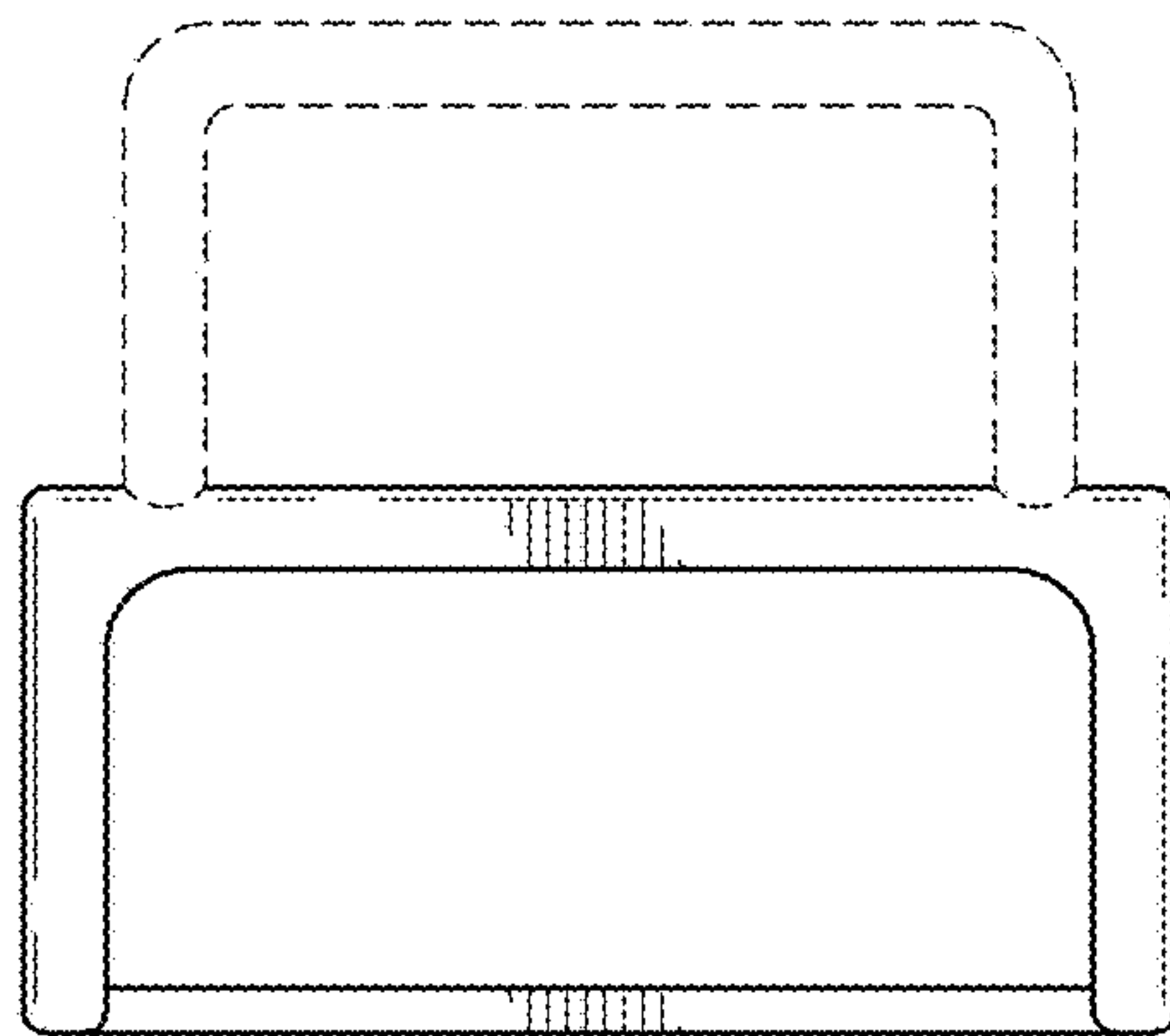


FIG. 5

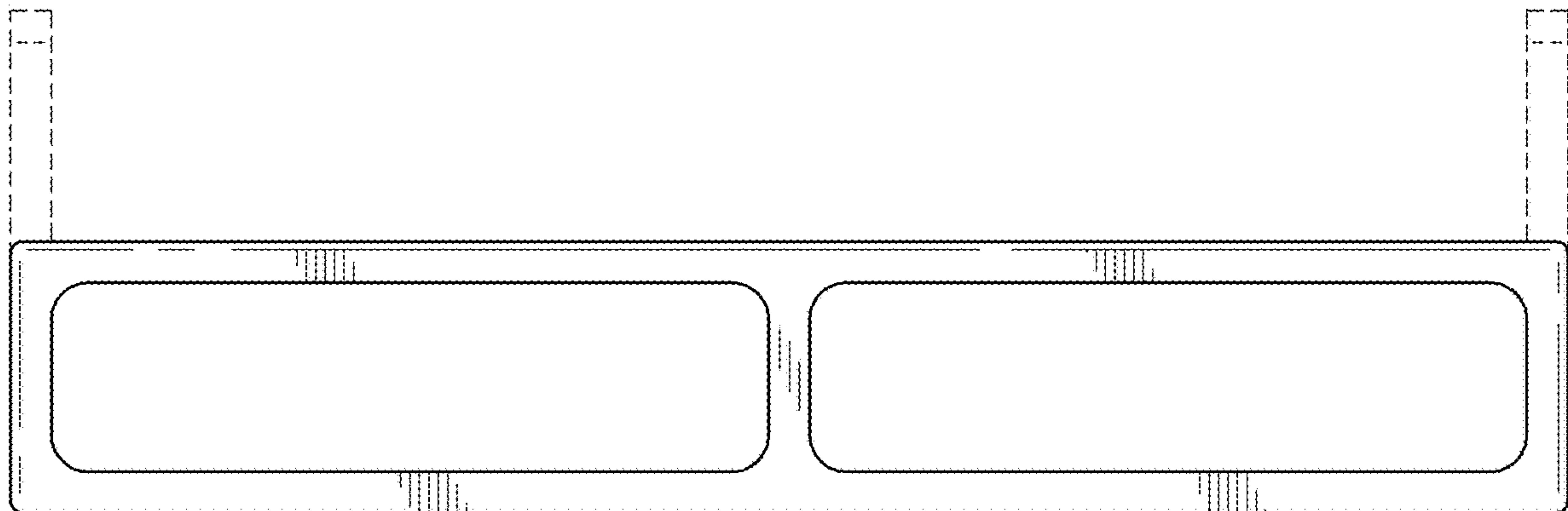


FIG. 6

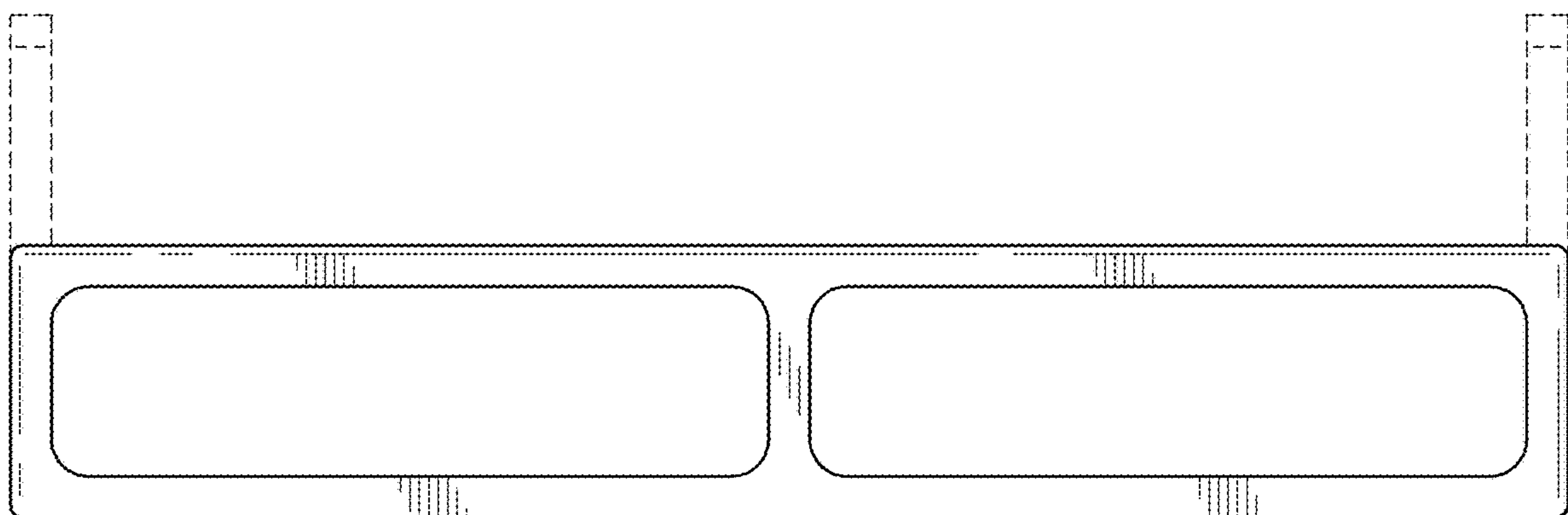


FIG. 7