



US00D930850S

(12) **United States Design Patent** (10) **Patent No.:** **US D930,850 S**
Zollinger et al. (45) **Date of Patent:** **** Sep. 14, 2021**

(54) **SPECIMEN COLLECTION TRAY**

FOREIGN PATENT DOCUMENTS

(71) Applicant: **Stryker Corporation**, Kalamazoo, MI (US)

WO 2018088892 A1 5/2018

(72) Inventors: **Michael Zollinger**, Chelsea, MI (US);
Michael Peterson, Richland, MI (US);
Michael Hammond, Monona, WI (US)

OTHER PUBLICATIONS

Commode Collection System. Online, published date unknown. Retrieved on Apr. 29, 2021 from URL: <https://therapak.com/catalog/specimen-collection/>.*

(73) Assignee: **Stryker Corporation**, Kalamazoo, MI (US)

Primary Examiner — Susan Bennett Hattan

(**) Term: **15 Years**

Assistant Examiner — Omeed Agilee

(21) Appl. No.: **29/713,993**

(74) *Attorney, Agent, or Firm* — Howard & Howard Attorneys PLLC

(22) Filed: **Nov. 20, 2019**

(57) **CLAIM**

(51) **LOC (13) Cl.** **24-02**

The ornamental design for a specimen collection tray, as shown and described.

(52) **U.S. Cl.**

USPC **D24/224**

(58) **Field of Classification Search**

USPC D24/156, 127–128, 185, 216–232;
D7/354, 361, 500, 550.1, 554.3, 587, 602;
D3/304, 307, 308, 314, 315

CPC . A61B 50/36; A61B 2050/3011; A61B 3/508;
A61B 10/0045; A61B 10/0038; A61B
10/02; A61B 10/007

See application file for complete search history.

DESCRIPTION

FIG. 1 is a front, top, left side perspective view of a specimen collection tray.

FIG. 2 is a rear, bottom, right side perspective view of the specimen collection tray of FIG. 1.

FIG. 3 is a left side view of the specimen collection tray of FIG. 1.

FIG. 4 is a right side view of the specimen collection tray of FIG. 1.

FIG. 5 is a bottom view of the specimen collection tray of FIG. 1.

FIG. 6 is a top view of the specimen collection tray of FIG. 1.

FIG. 7 is a front view of the specimen collection tray of FIG. 1; and,

FIG. 8 is a rear view of the specimen collection tray of FIG. 1.

The broken lines in the drawings depict portions of the specimen collection tray that form no part of the claimed design.

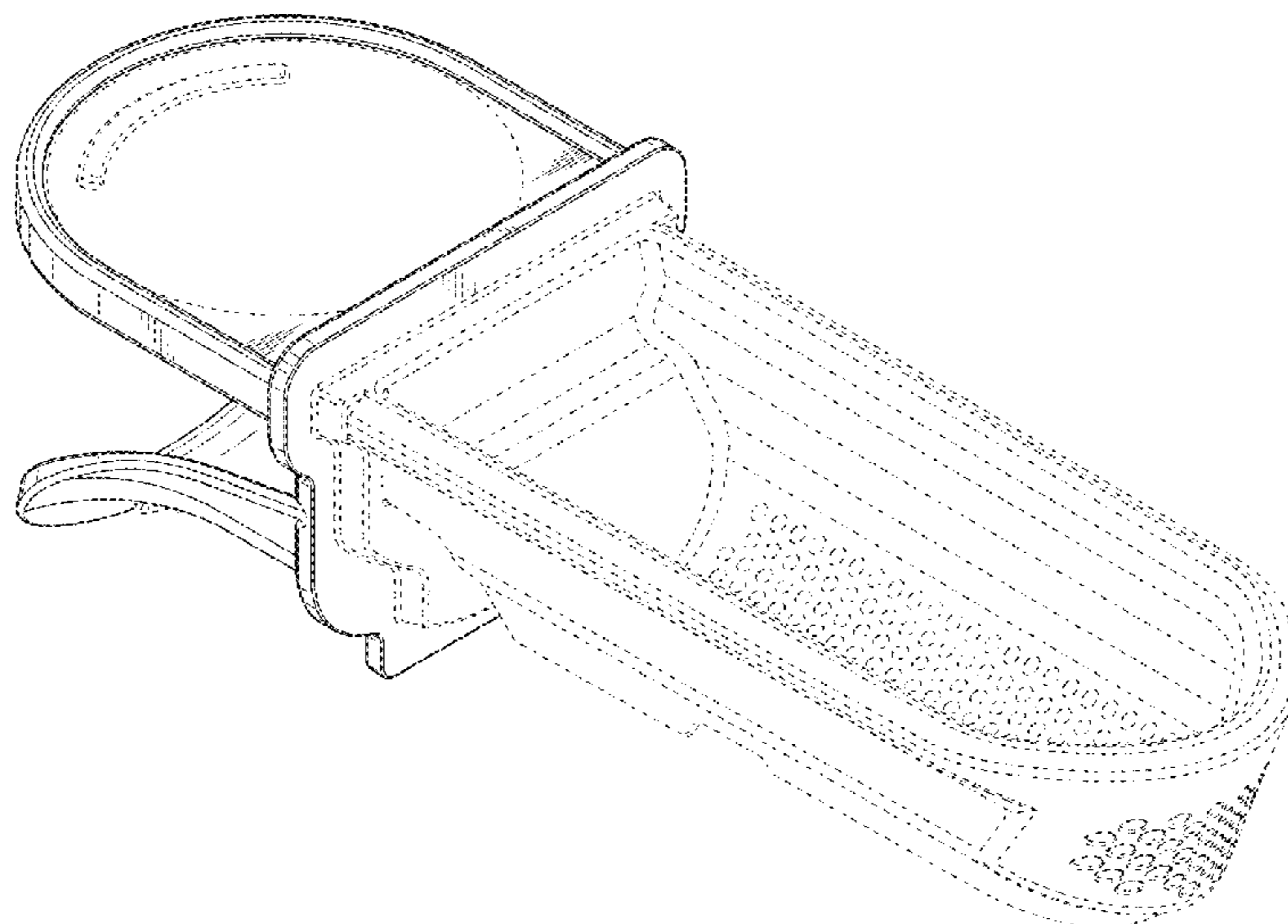
(56) **References Cited**

U.S. PATENT DOCUMENTS

| | | | | | |
|-----------|-----|---------|------------------|-------|------------------------|
| 3,161,891 | A * | 12/1964 | Bauman | | A61B 10/007 600/574 |
| D426,302 | S * | 6/2000 | Wilkinson | | D24/122 |
| 6,299,763 | B1 | 10/2001 | Ashman | | |
| 6,375,625 | B1 | 4/2002 | French et al. | | |
| D461,557 | S | 8/2002 | Courteix | | |
| D469,178 | S | 1/2003 | Courteix | | |
| 7,244,236 | B2 | 7/2007 | Merkle | | |
| D557,814 | S * | 12/2007 | Glenn | | D24/217 |
| D565,732 | S | 4/2008 | Pech et al. | | |
| D612,493 | S | 3/2010 | Claessens et al. | | |
| 8,088,079 | B2 | 1/2012 | Kaye et al. | | |

(Continued)

1 Claim, 4 Drawing Sheets



(56)

References Cited

U.S. PATENT DOCUMENTS

| | | | | |
|--------------|------|---------|--------------------|-------------------------|
| D655,407 | S * | 3/2012 | Adams | D24/128 |
| 8,465,439 | B2 | 6/2013 | Parks | |
| D771,832 | S | 11/2016 | Yeager et al. | |
| D787,053 | S | 5/2017 | Huang et al. | |
| D787,669 | S | 5/2017 | Huang et al. | |
| 9,671,318 | B1 | 6/2017 | Bedoe et al. | |
| D804,023 | S | 11/2017 | Huang et al. | |
| D805,636 | S | 12/2017 | Pike | |
| 9,854,291 | B2 | 12/2017 | Minnick | |
| D810,280 | S | 2/2018 | Tharp et al. | |
| 9,943,291 | B2 | 4/2018 | VanderWoude et al. | |
| D825,749 | S | 8/2018 | Huang et al. | |
| D846,737 | S | 4/2019 | Karasawa | |
| D879,956 | S | 3/2020 | Klenner et al. | |
| D881,392 | S | 4/2020 | Pujara et al. | |
| D905,867 | S * | 12/2020 | Robinson | D24/227 |
| D913,522 | S * | 3/2021 | Robinson | D24/227 |
| 2003/0021735 | A1 * | 1/2003 | House | A61B 10/007 422/547 |
| 2008/0177201 | A1 * | 7/2008 | Deadwyler | A61B 10/007 600/573 |
| 2012/0316462 | A1 * | 12/2012 | Enos | A61B 10/0038 600/562 |
| 2014/0336599 | A1 | 11/2014 | Patel et al. | |
| 2016/0066895 | A1 * | 3/2016 | Schwyn | A61B 10/0045 600/584 |
| 2017/0060726 | A1 | 3/2017 | Glistvain | |
| 2019/0038195 | A1 | 2/2019 | Peterson et al. | |

* cited by examiner

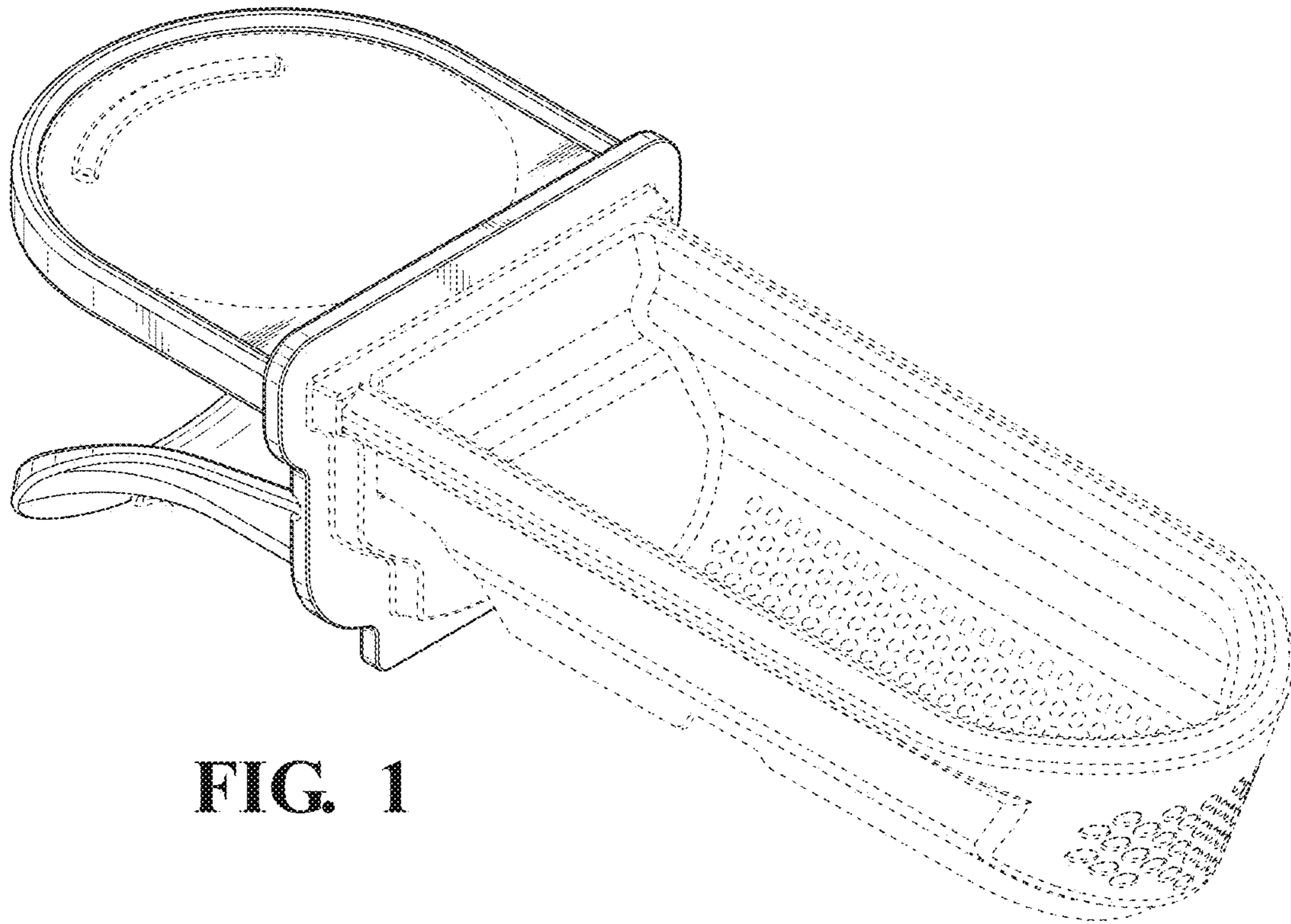


FIG. 1

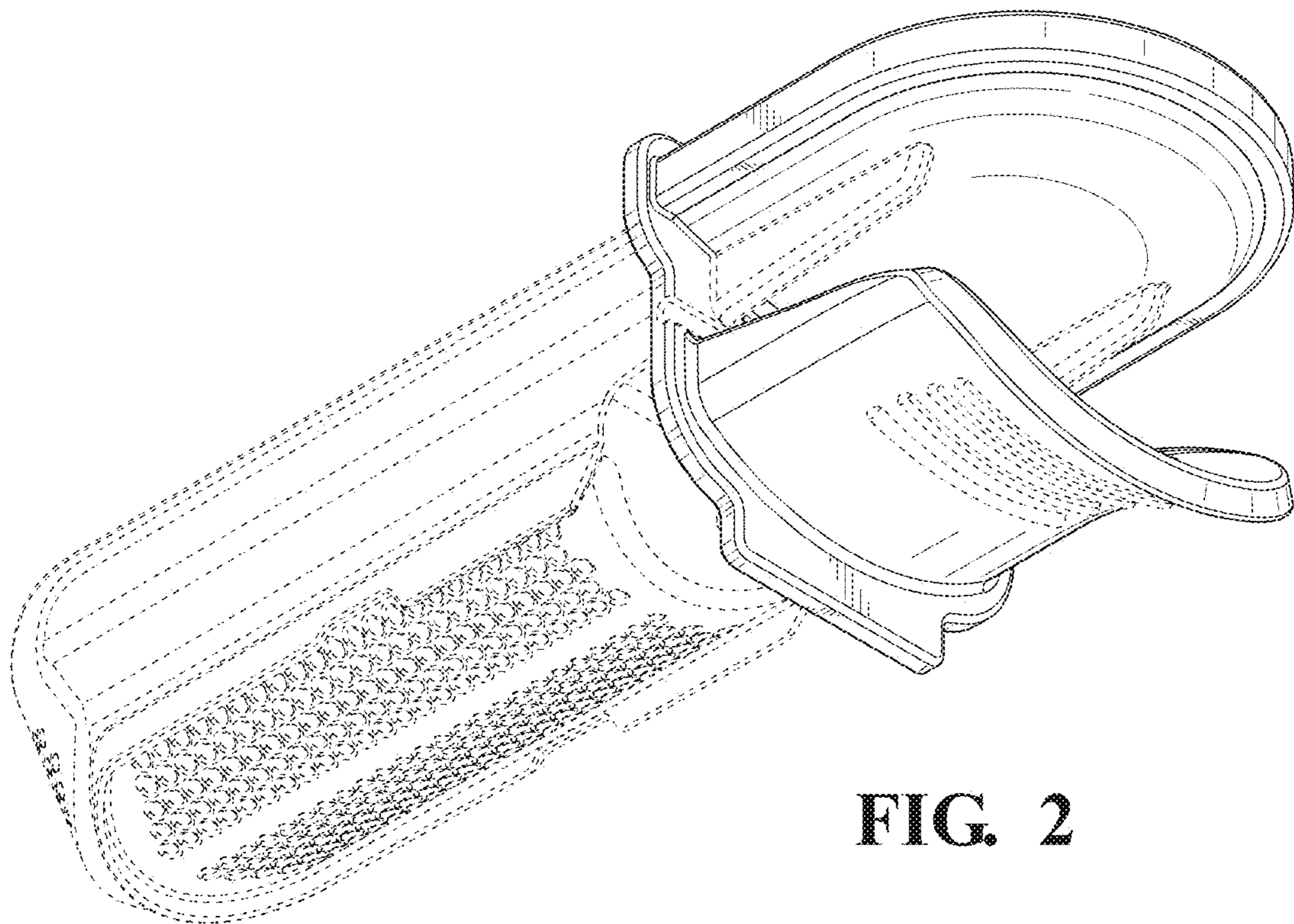
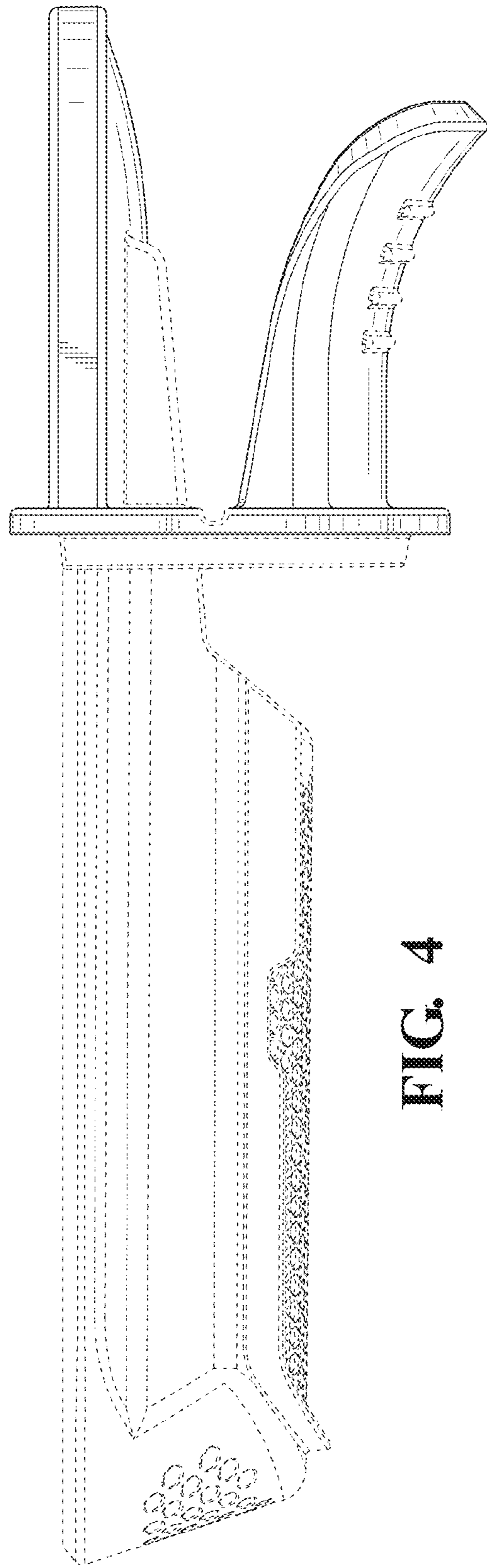
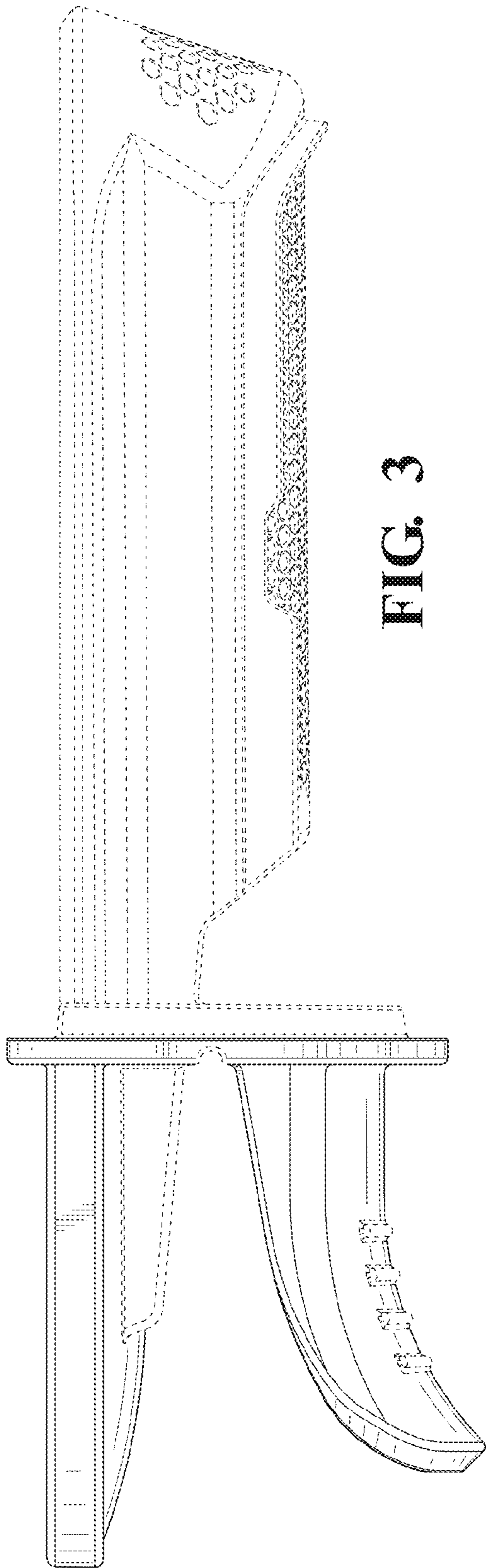


FIG. 2



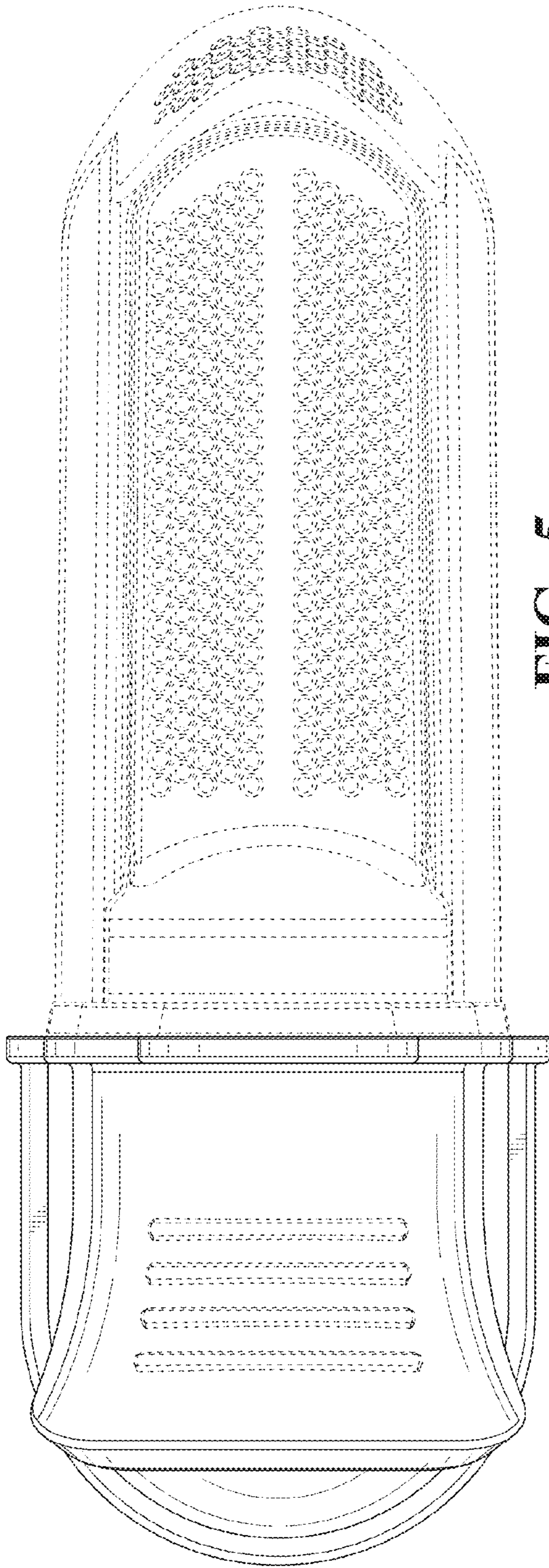


FIG. 5

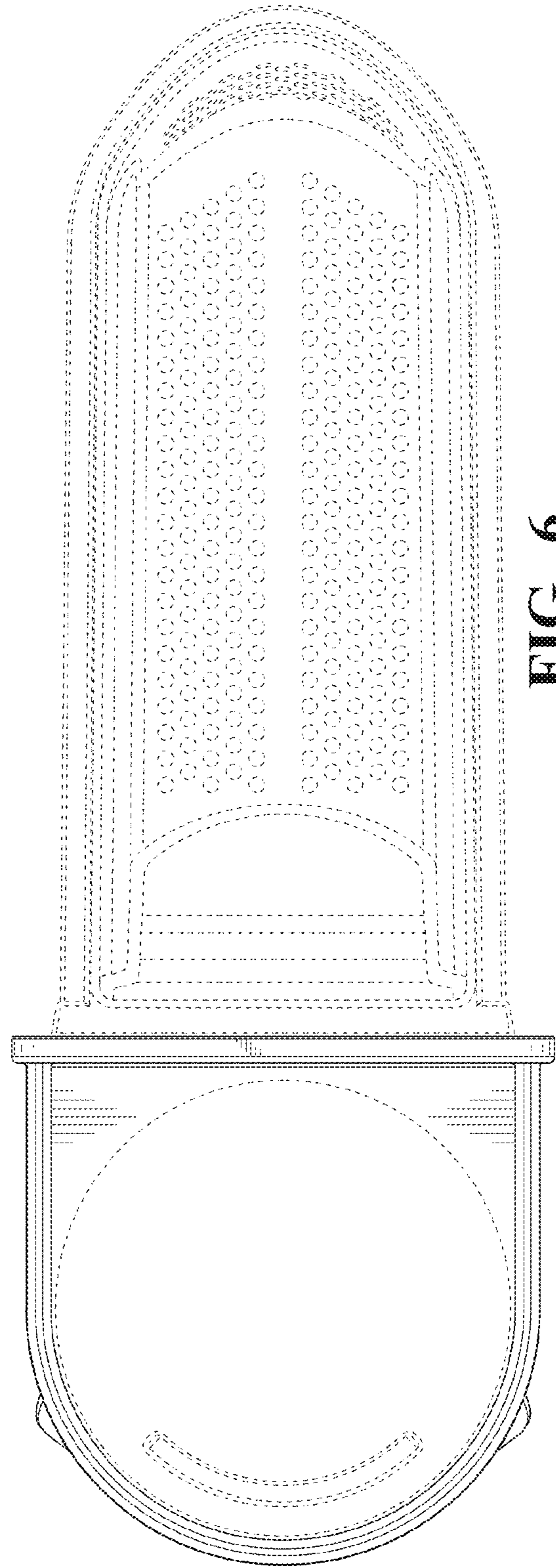


FIG. 6

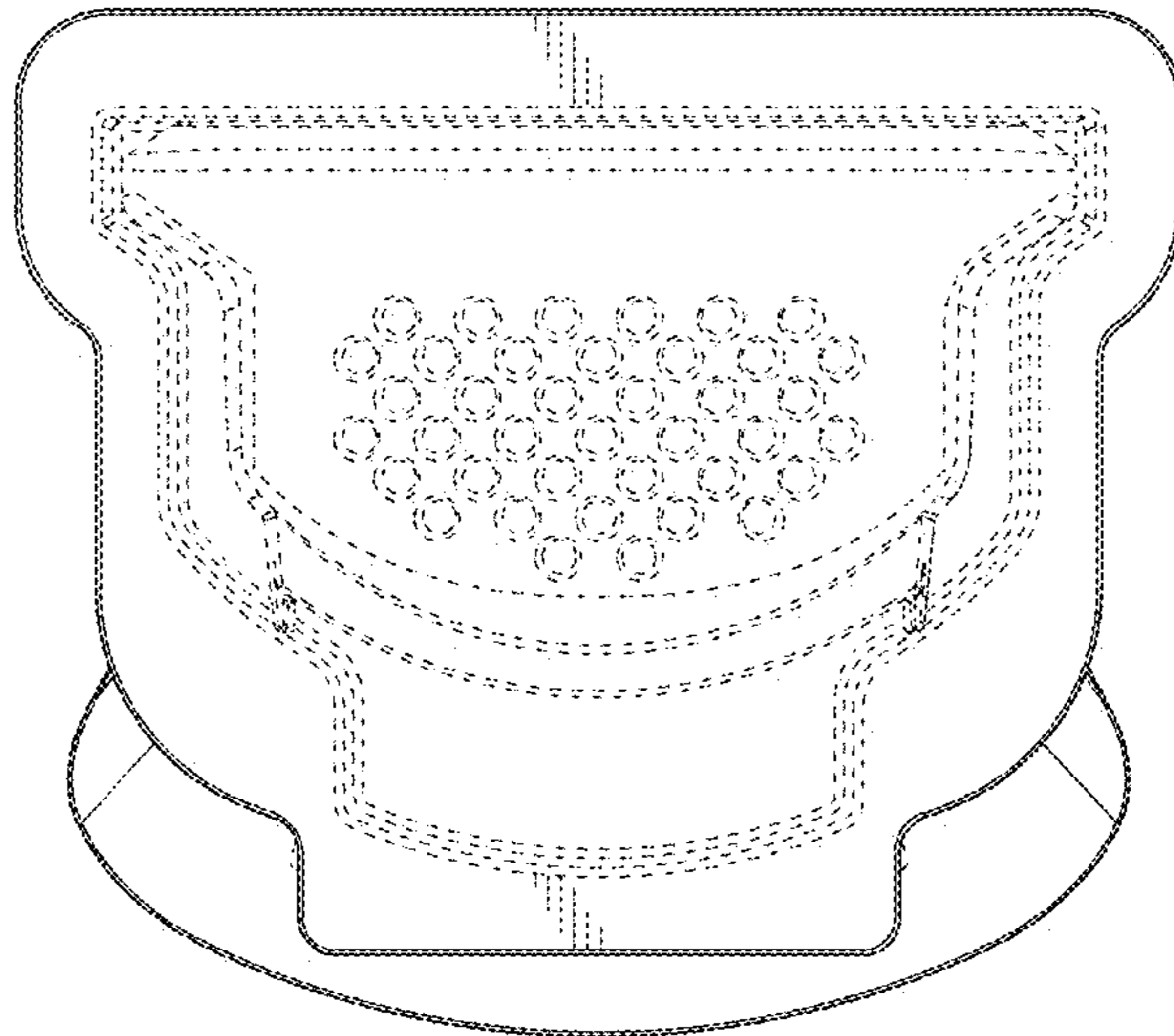


FIG. 7

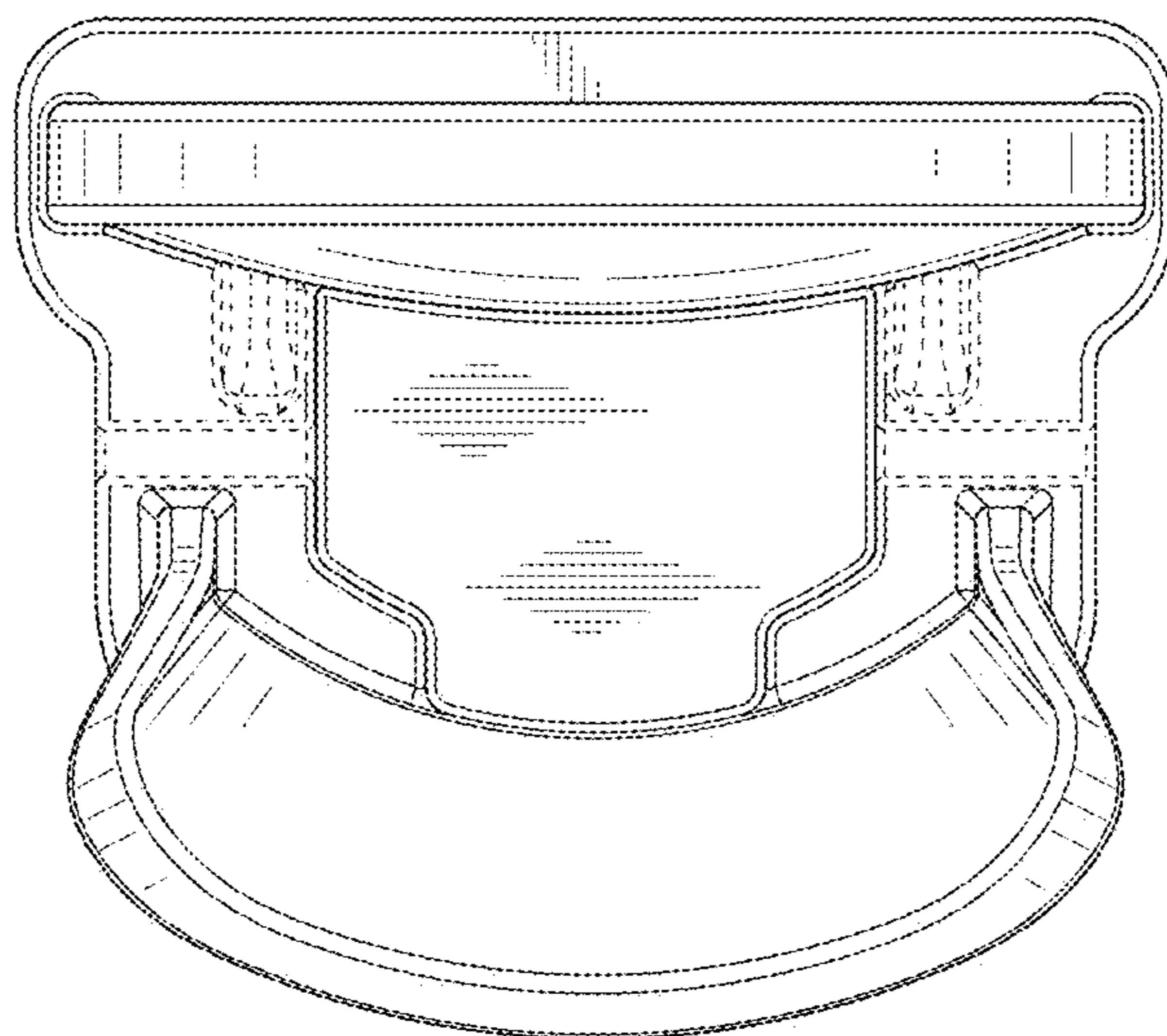


FIG. 8