



US00D930848S

(12) **United States Design Patent** (10) **Patent No.:** **US D930,848 S**
Ringold et al. (45) **Date of Patent:** **** Sep. 14, 2021**

(54) **ELEVATOR FOR PROMOTING
EXTRACTION OF BLOOD SAMPLE FROM
DRIED BLOOD SAMPLE PAPER**

D790,726 S *	6/2017	Plante	D24/224
D853,580 S *	7/2019	Penttila	D24/224
D859,683 S *	9/2019	Harding	D24/216
D873,433 S *	1/2020	Hagiwara	D24/216
D886,320 S *	6/2020	Bruemmer	D24/216
2006/0074349 A1 *	4/2006	Fan	A61B 5/154 600/576
2014/0205514 A1 *	7/2014	Hwang	B01L 3/5021 422/533
2017/0087548 A1 *	3/2017	Tian	C12Q 1/24
2018/0250669 A1 *	9/2018	Adamski	B01D 21/26
2019/0030527 A1 *	1/2019	Walsh	B01L 3/5082
2020/0170557 A1 *	6/2020	Ringold	A61B 5/150358

(71) Applicants: **VDI LABORATORY, LLC.**, Simi Valley, CA (US); **KEPLER DIAGNOSTICS, INC.**, Simi Valley, CA (US)

(72) Inventors: **Randy Ringold**, West Hills, CA (US); **Tyson Ringold**, Mountain View, CA (US)

(73) Assignees: **VDI LABORATORY, LLC.**, Simi Valley, CA (US); **KEPLER DIAGNOSTICS, INC.**, Simi Valley, CA (US)

(**) Term: **15 Years**

(21) Appl. No.: **29/658,990**

(22) Filed: **Aug. 3, 2018**

(51) **LOC (13) Cl.** **24-01**

(52) **U.S. Cl.**
USPC **D24/216**

(58) **Field of Classification Search**
USPC D24/216, 219, 220, 222, 224, 225, 226,
D24/227, 229, 223, 101, 103, 104, 107
CPC A61B 5/150022; A61B 5/15; A61B
5/150358; A61B 10/02; B01L 3/5635;
B01L 3/5082; B01L 3/5021
See application file for complete search history.

(56) **References Cited**

U.S. PATENT DOCUMENTS

D776,291 S *	1/2017	Wan	D24/216
D781,436 S *	3/2017	Suzuki	D24/226

* cited by examiner

Primary Examiner — Lilyana Bekic

Assistant Examiner — Mary Shannon Malley

(74) *Attorney, Agent, or Firm* — Karen S. Canady;
canady + lortz LLP

(57) **CLAIM**

The ornamental design for an elevator for promoting extraction of blood sample from dried blood sample paper, as shown and described.

DESCRIPTION

FIG. 1 is a side elevation of an elevator for promoting extraction of blood sample from dried blood sample paper, the opposing side view being identical in appearance.

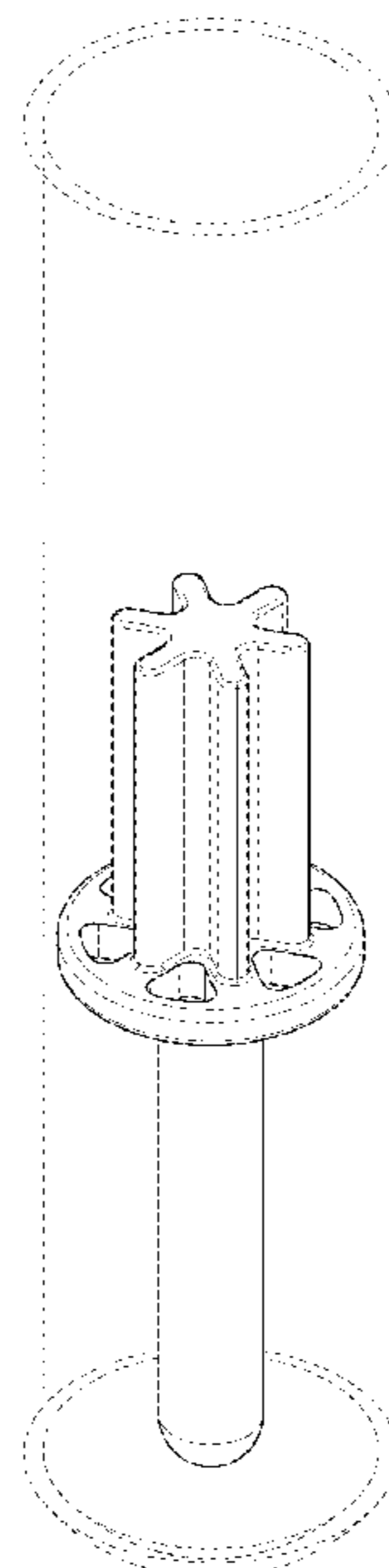
FIG. 2 is a top view thereof.

FIG. 3 is a bottom view thereof; and,

FIG. 4 is a perspective view thereof.

The broken lines in FIG. 4 showing a test tube depict environmental subject matter that forms no part of the claimed design.

1 Claim, 4 Drawing Sheets



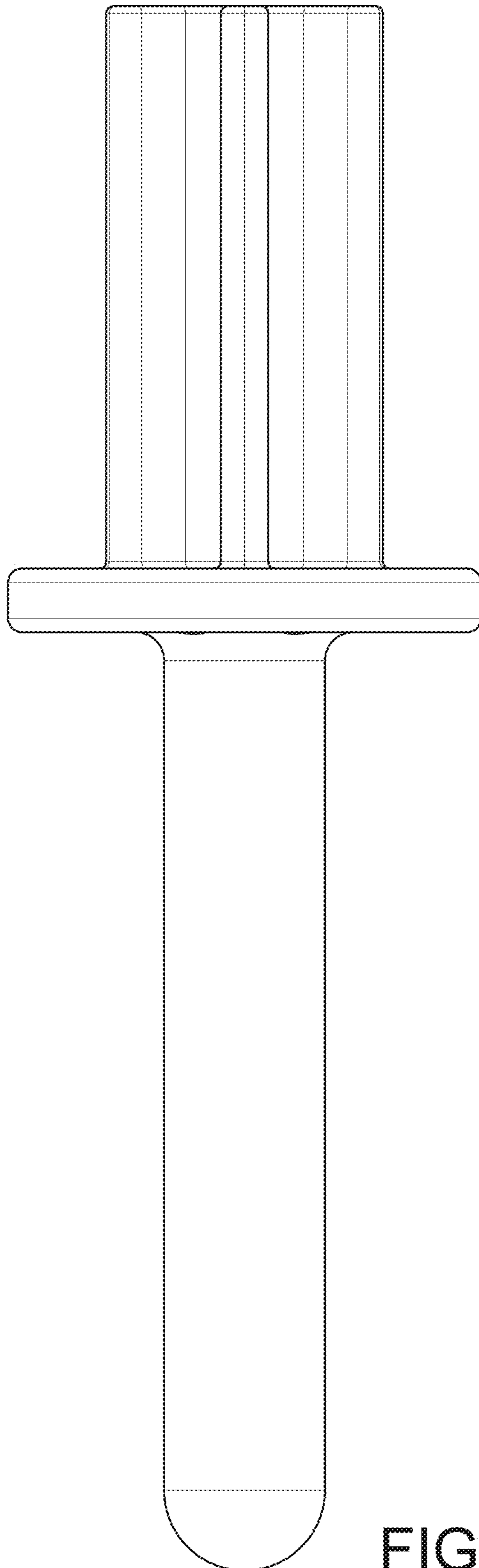


FIG. 1

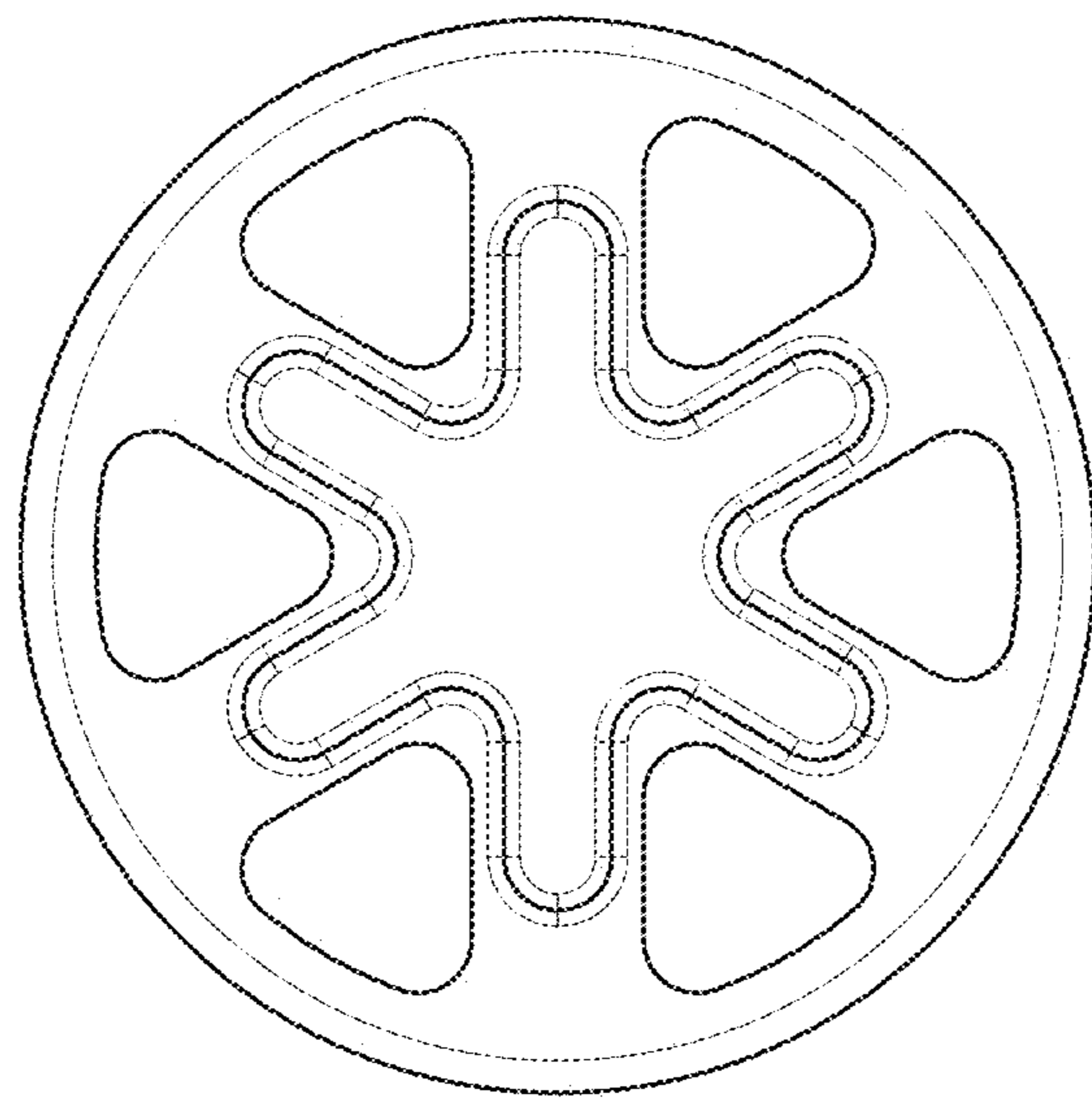


FIG. 2

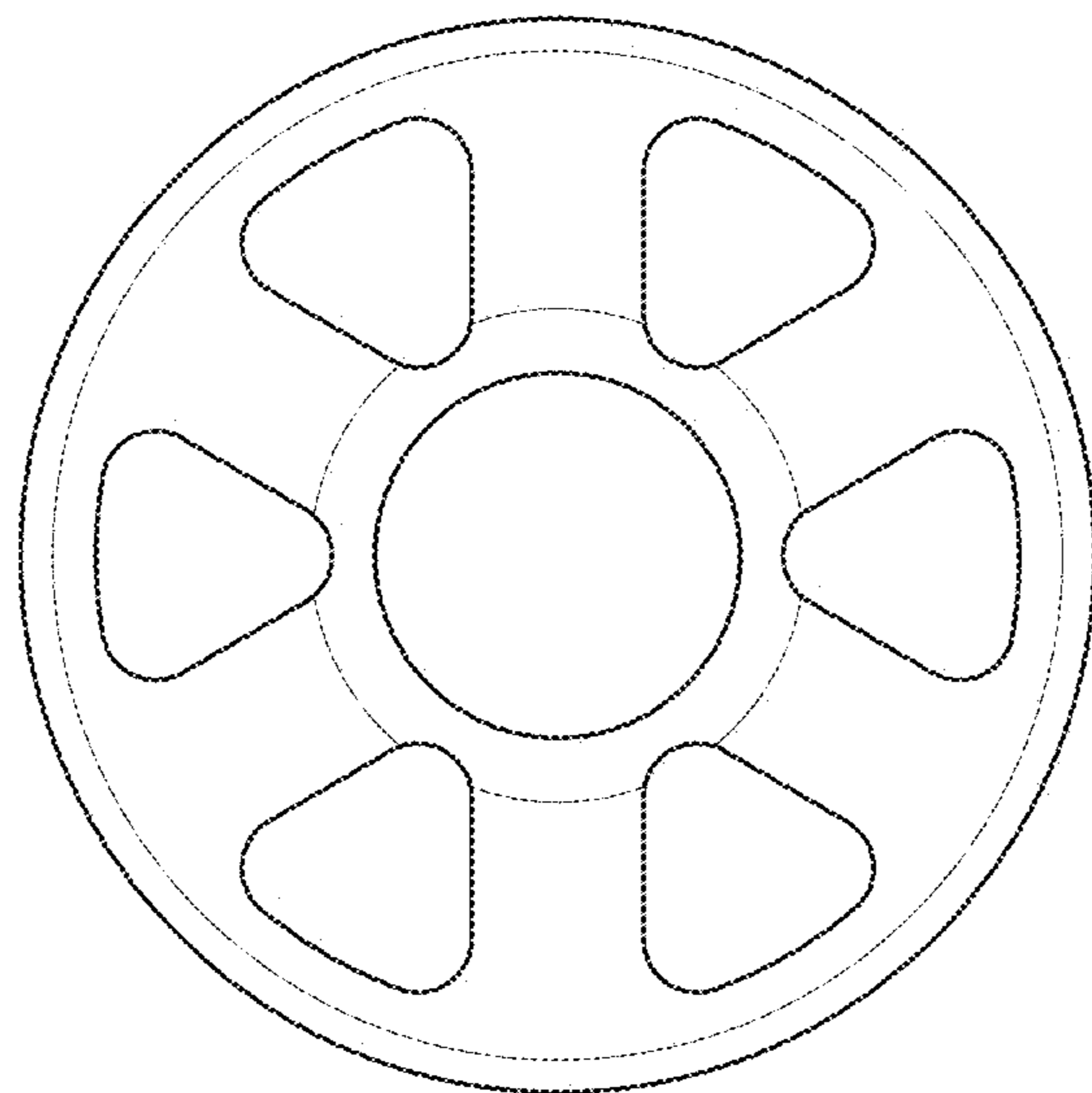


FIG. 3

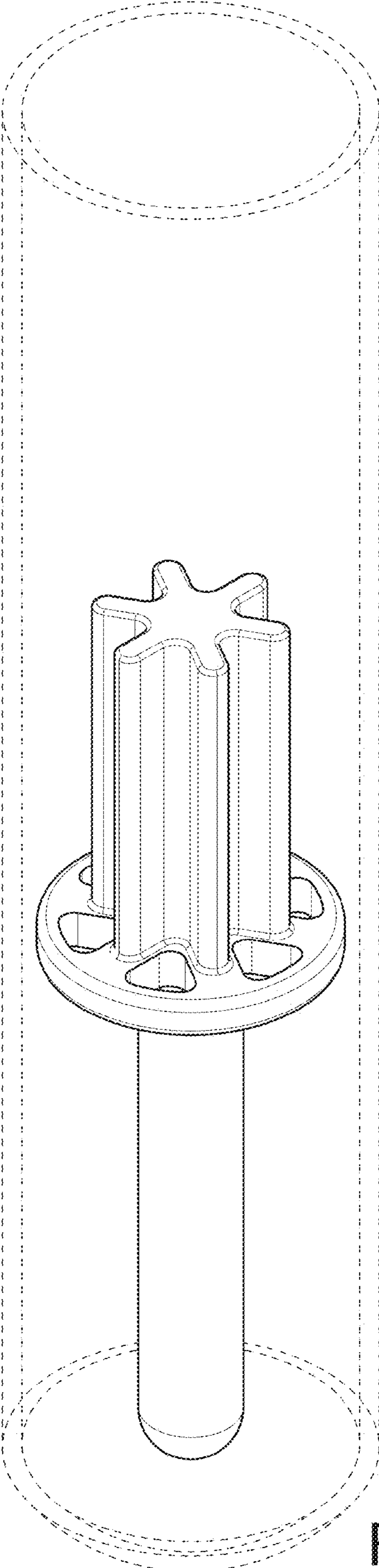


FIG. 4